

US00D966264S

(12) **United States Design Patent**
Cran et al.

(10) **Patent No.:** **US D966,264 S**
(45) **Date of Patent:** **** Oct. 11, 2022**

- (54) **MEDIA BACKUP DEVICE**
- (71) Applicant: **MAKE GREAT SALES LIMITED,**
Wan Chai (HK)
- (72) Inventors: **Bruce Peter Cran,** Ho Chi Minh (VN);
Kin Choi Lee, Wanchai (HK)
- (73) Assignee: **Make Great Sales Limited,** Hong
Kong (HK)
- (**) Term: **15 Years**
- (21) Appl. No.: **29/731,571**
- (22) Filed: **Apr. 16, 2020**
- (51) **LOC (13) Cl.** **14-02**
- (52) **U.S. Cl.**
USPC **D14/348; D14/356**
- (58) **Field of Classification Search**
USPC D14/341, 345, 348, 353, 354, 355, 356,
D14/357, 358, 361, 362, 370, 383, 384,
D14/385, 432, 433, 434, 435, 435.1, 436,
D14/437, 438, 439, 440, 474, 480, 480.1,
D14/480.3, 480.5, 480.6, 480.7, 496, 507,
D14/510, 511, 299, 125, 135, 155, 242,
D14/203.1, 203.3, 214, 300, 302, 308,
D14/314, 367, 230
CPC G06F 1/1632; G06F 1/1684; G06F 3/0673;
G06F 3/0674; G06F 11/3044; G06F
13/122; G06F 13/382; G06F 13/385;
G06K 19/041; G06K 19/07732; H05K
5/0004; H05K 5/0278; H05K 5/03; H05K
5/00; H05K 5/0043; H05K 5/0047; H05K
5/0052; H05K 5/0217; H05K 5/0243;
H05K 5/0286; H05K 5/02; H04N 5/64;
H04W 88/00
See application file for complete search history.

- D473,223 S * 4/2003 Pullman D14/240
- D516,807 S * 3/2006 Richardson D3/273
- D541,685 S * 5/2007 Bradford D10/78
- D548,971 S * 8/2007 Lin D3/905
- D569,616 S * 5/2008 Lin D3/273

(Continued)

OTHER PUBLICATIONS

INFINITIKLOUD Wireless Storage. Infiniti Kloud, amazon.com (online) 16 pages. Posted Apr. 24, 2021. [Retrieved Mar. 4, 2022] https://www.amazon.com/dp/B093D5RW5T/ref=cm_sw_em_r_mt_dp_2D25C1ARE5JCMV74BJ0N (Year: 2021).*

Primary Examiner — Kathleen L Jones

Assistant Examiner — Cole Sanders Holman

(74) *Attorney, Agent, or Firm* — Onello & Mello, LLP

(57) **CLAIM**

The ornamental design for a media backup device, as shown and described.

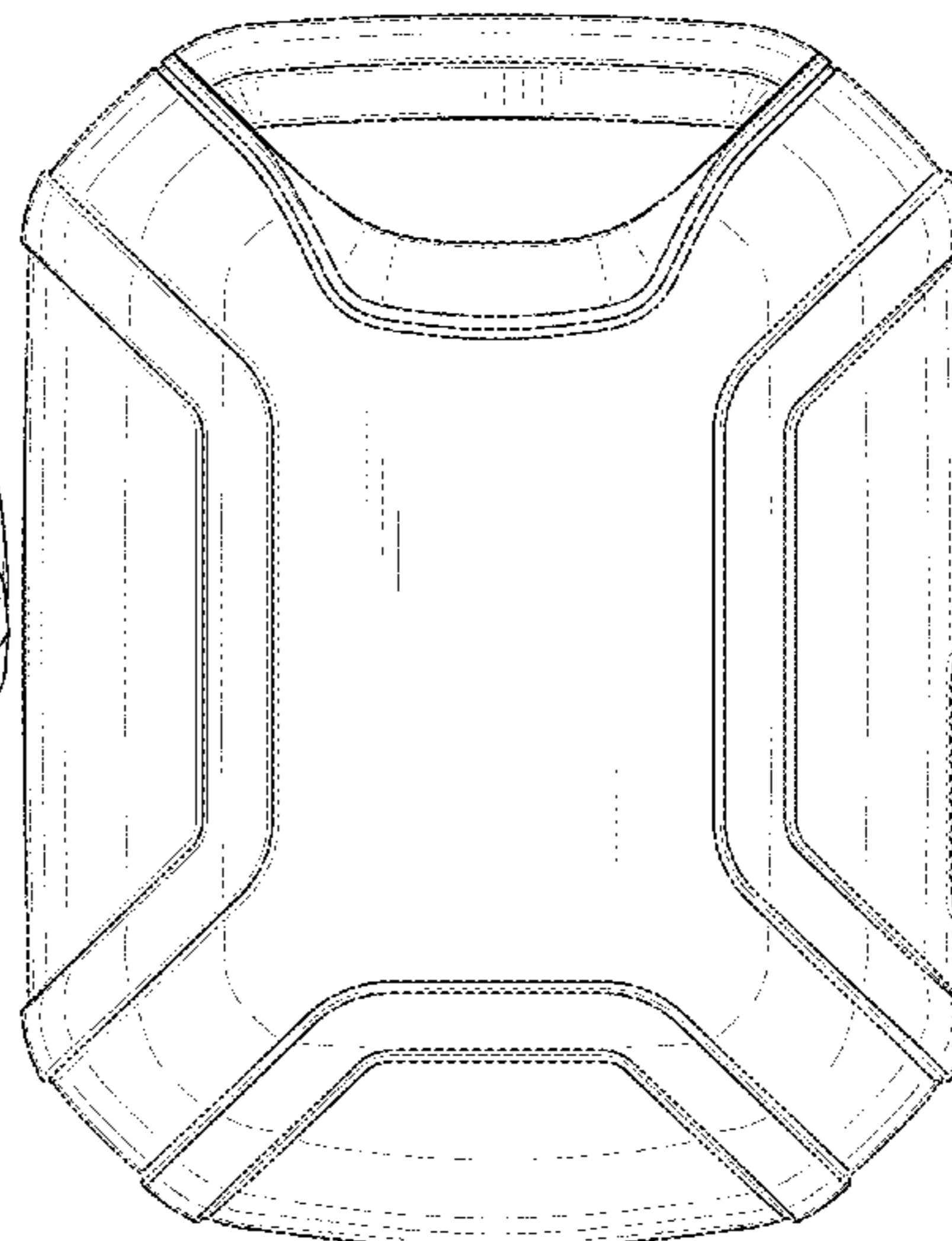
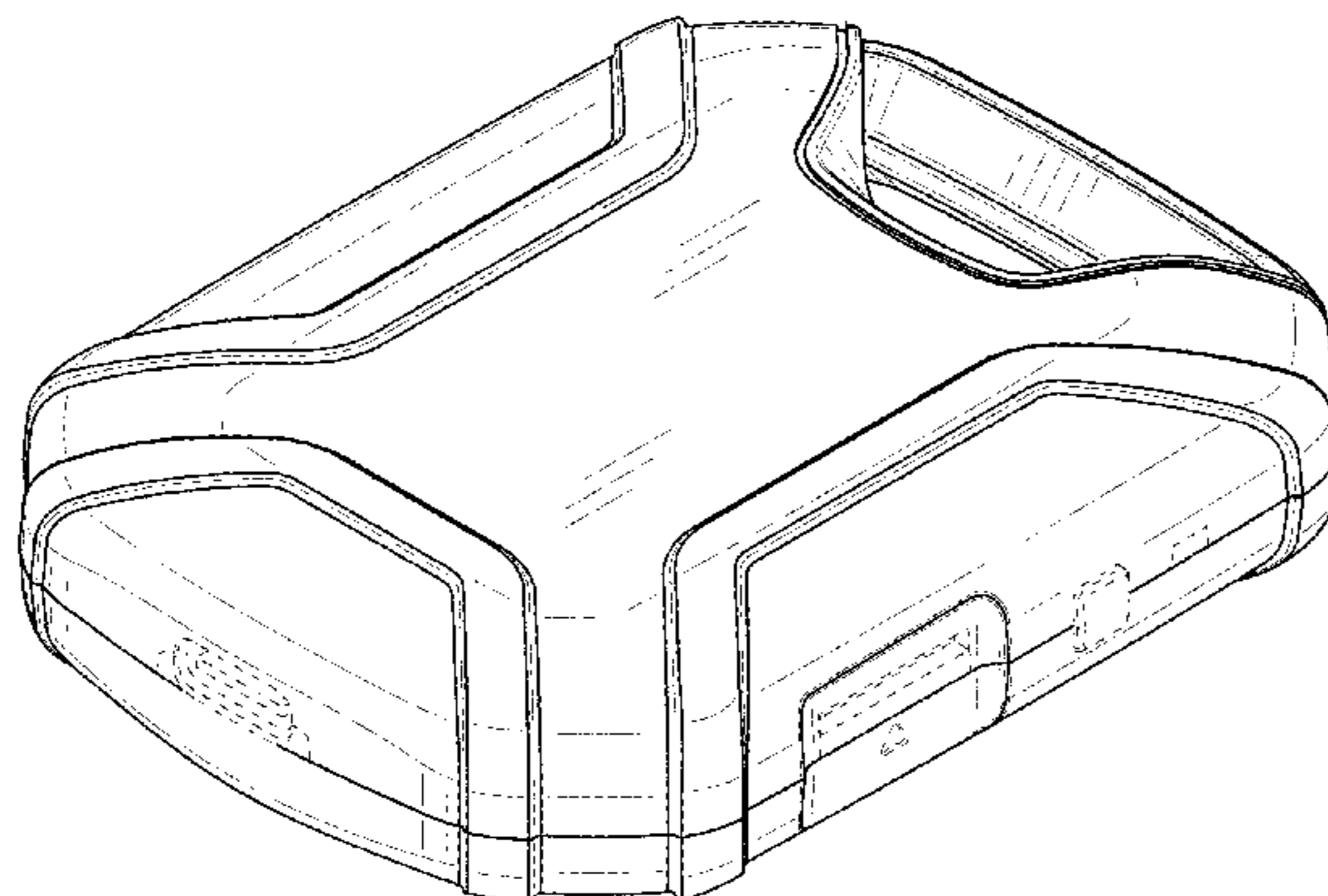
DESCRIPTION

FIG. 1 is an isometric view of a media backup device, in accordance with the design;
 FIG. 2 is top view of a media backup device of FIG. 1;
 FIG. 3 is a bottom view of the media backup device of FIG. 1;
 FIG. 4 is a front view of the media backup device of FIG. 1;
 FIG. 5 is a rear view of the media backup device of FIG. 1;
 FIG. 6 is a left-side view of the media backup device of FIG. 1; and,
 FIG. 7 is a right-side view of the media backup device of FIG. 1.
 The evenly dashed broken lines in the figures depict portions of the media backup device that form no part of the claimed design.

(56) **References Cited**
U.S. PATENT DOCUMENTS

- D436,596 S * 1/2001 Ito D14/434
- D462,954 S * 9/2002 Chen D14/299

1 Claim, 5 Drawing Sheets



(56)

References Cited

U.S. PATENT DOCUMENTS

7,578,698 B1 * 8/2009 Thia H01R 13/5804
439/456
D603,334 S * 11/2009 Suzuki D13/108
D617,557 S * 6/2010 Molina D3/905
D725,519 S * 3/2015 Drew D10/75
D737,819 S * 9/2015 Tsai D14/365
D753,725 S * 4/2016 Palmer, Jr. D14/204
D760,164 S * 6/2016 Aida D13/110
D786,107 S * 5/2017 Pileggi D10/78
D790,512 S * 6/2017 Lee D14/217
D792,846 S * 7/2017 Zheng D13/110
D817,306 S * 5/2018 Jang D14/215
D823,304 S * 7/2018 Drew D13/133
D866,967 S * 11/2019 Meng D3/294
D873,015 S * 1/2020 Bradberry D3/315
D925,549 S * 7/2021 Cran D14/480.5
D935,180 S * 11/2021 Zhang D14/440
2020/0279586 A1 * 9/2020 Goeller G06F 1/1607

* cited by examiner

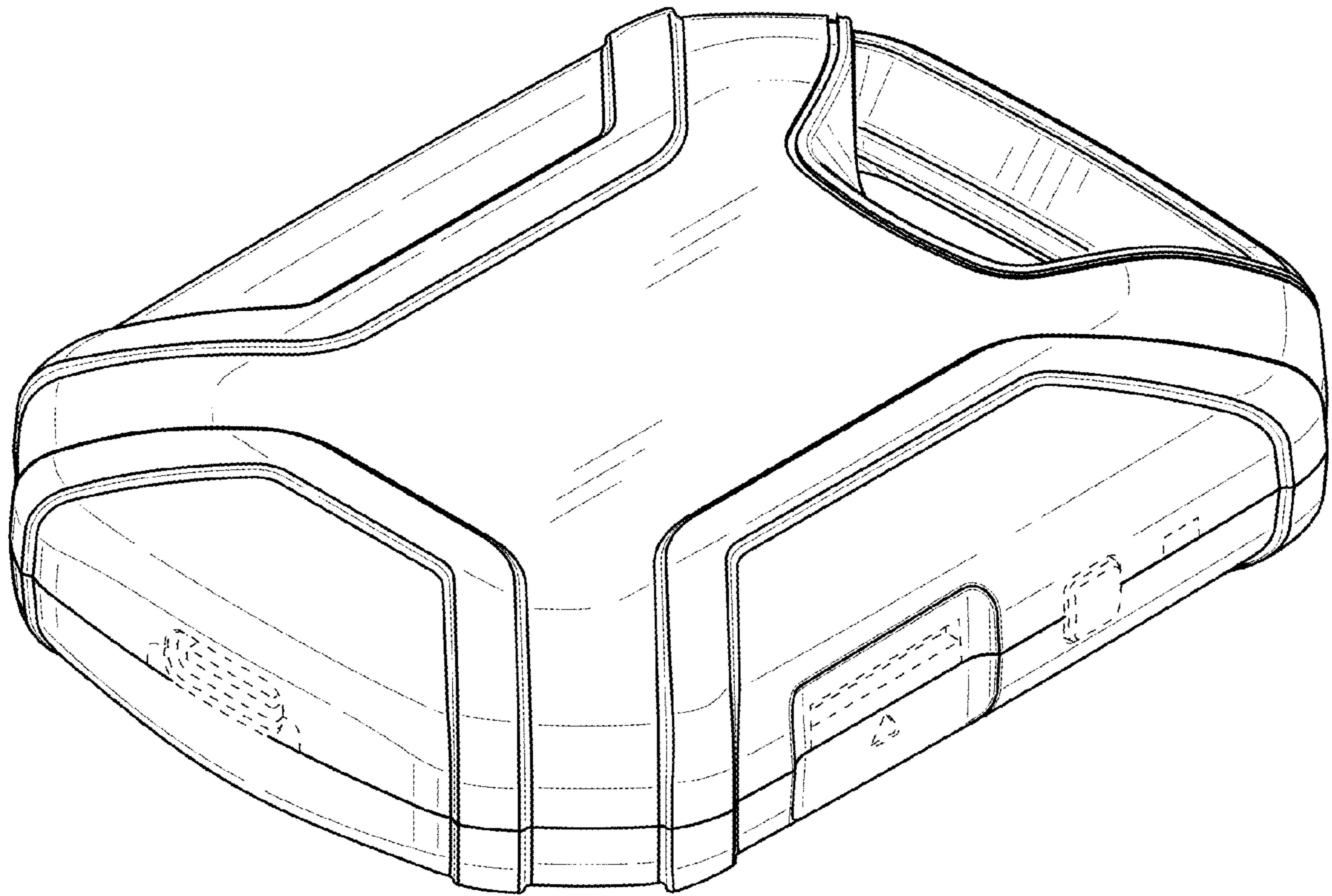


FIG. 1

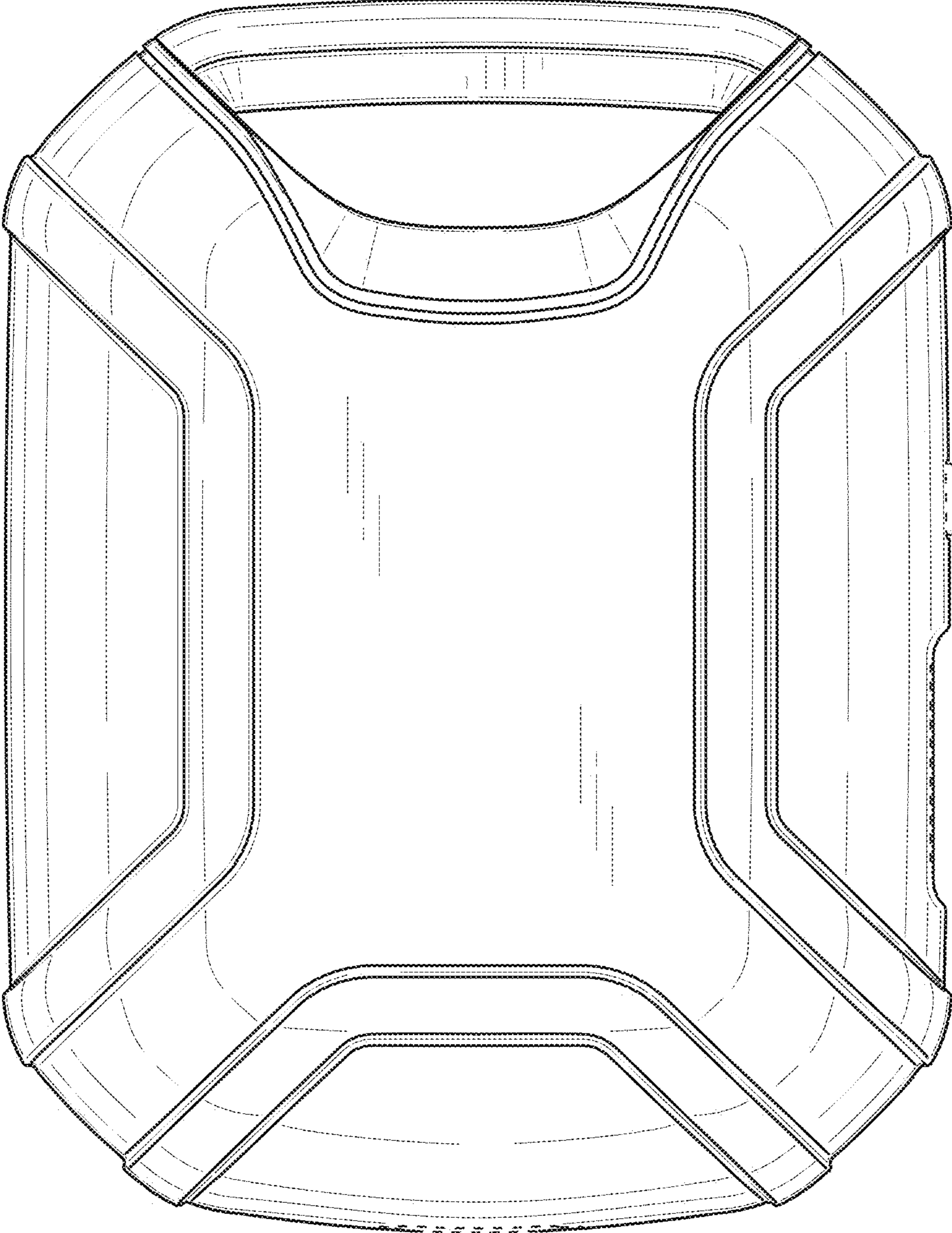


FIG. 2

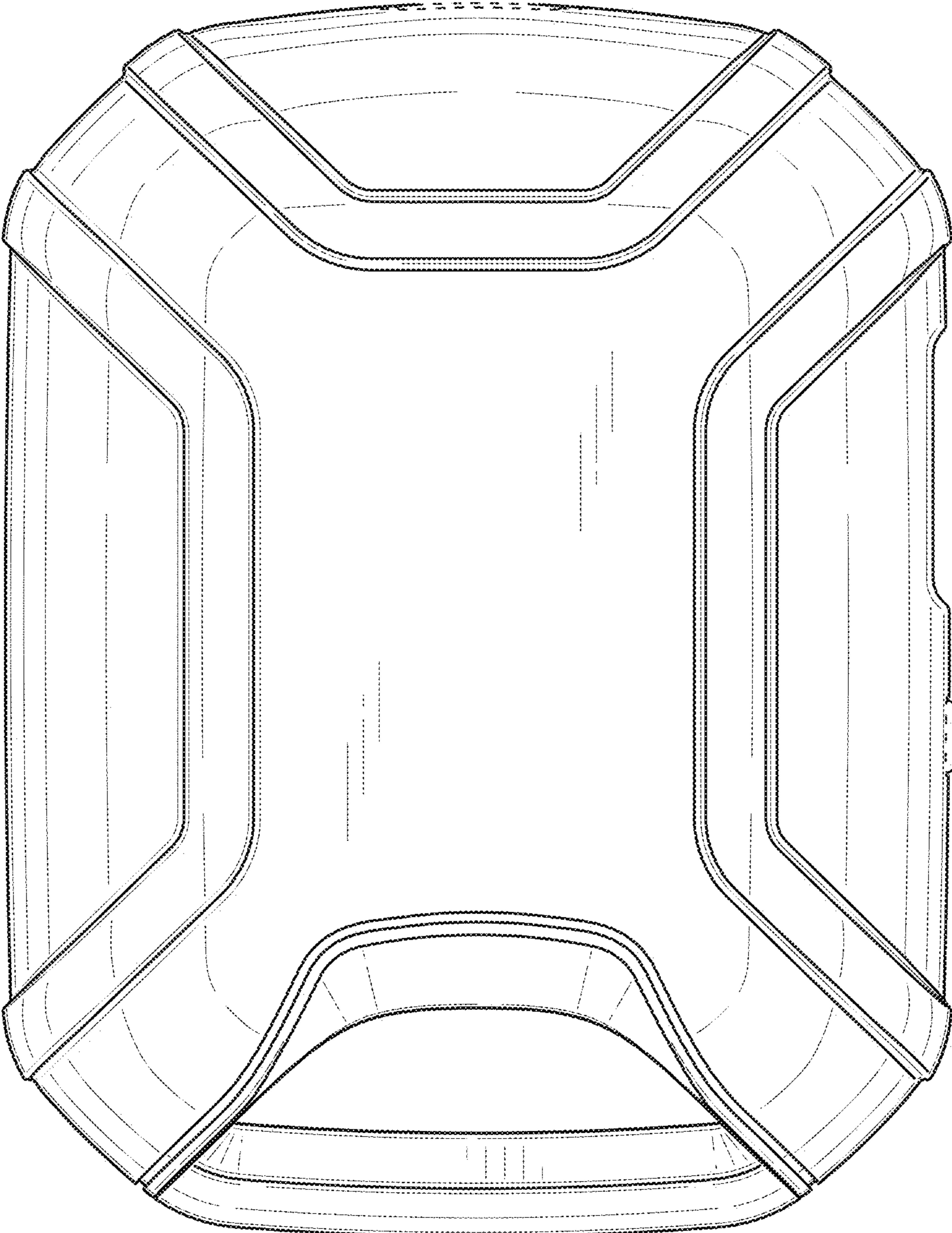


FIG. 3

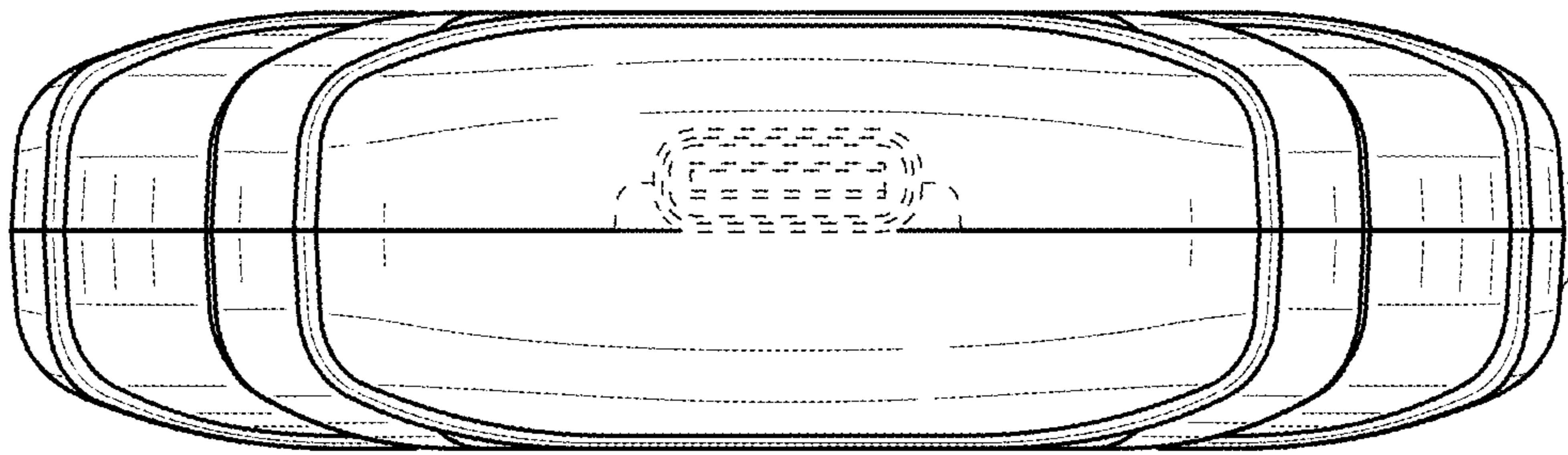


FIG. 4

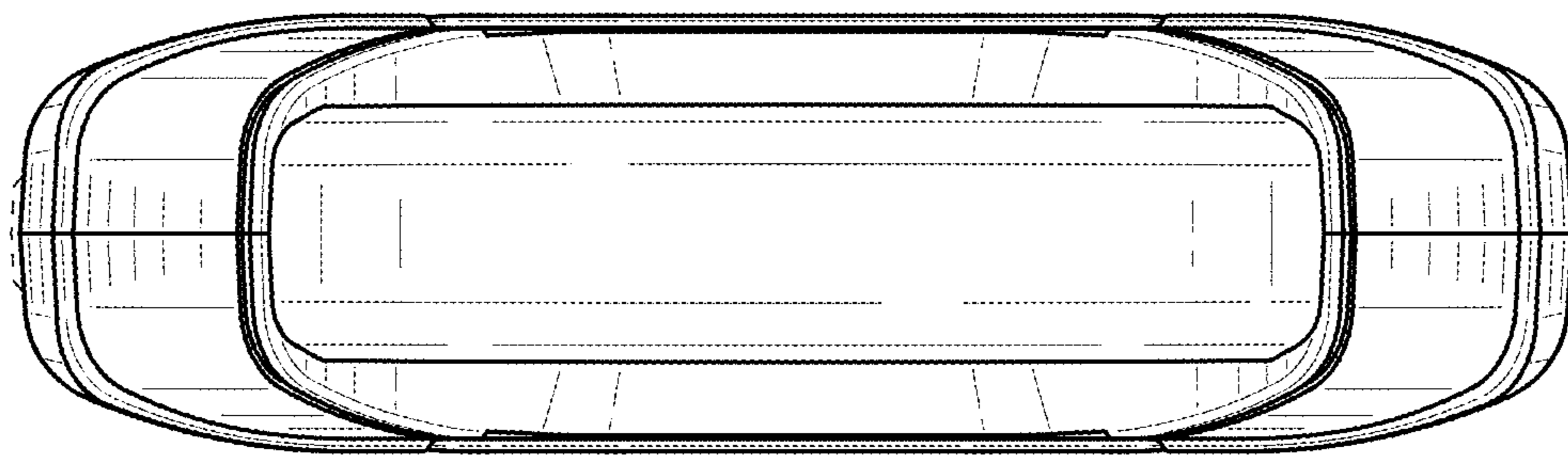


FIG. 5

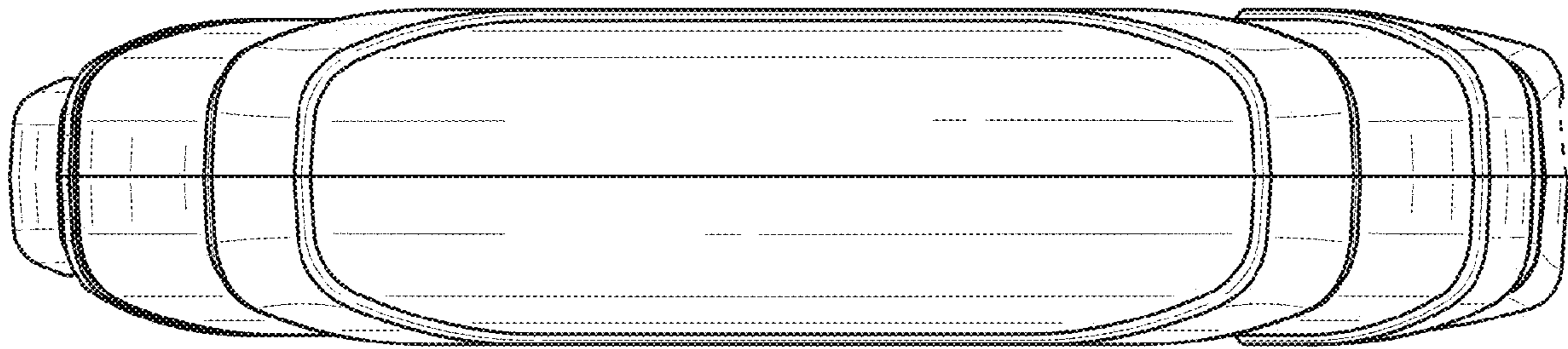


FIG. 6

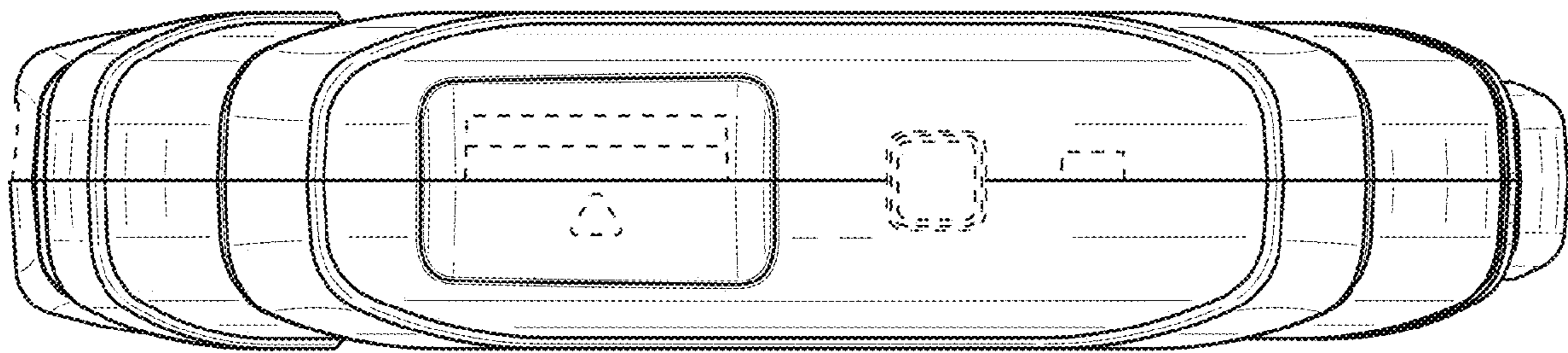


FIG. 7