



US00D966263S

(12) **United States Design Patent** (10) **Patent No.:** **US D966,263 S**  
**Sosak** (45) **Date of Patent:** **\*\* Oct. 11, 2022**

(54) **WEARABLE DIGITAL ASSISTANT DEVICE**

D903,632 S \* 12/2020 Chen ..... D14/205  
D914,634 S \* 3/2021 Kelley ..... H04N 5/23238  
D14/205

(71) Applicant: **Olivier Sosak**, Dallas, TX (US)

2019/0206538 A1 7/2019 Xing et al.  
2020/0120276 A1\* 4/2020 Kim ..... H04N 5/23238

(72) Inventor: **Olivier Sosak**, Dallas, TX (US)

\* cited by examiner

(\*\*) Term: **15 Years**

*Primary Examiner* — Calvin E Vansant

(21) Appl. No.: **29/712,615**

(22) Filed: **Nov. 9, 2019**

(57) **CLAIM**

(51) **LOC (13) Cl.** ..... **14-02**

The ornamental design for a “wearable digital assistant device,” as shown and described.

(52) **U.S. Cl.**

USPC ..... **D14/344**

(58) **Field of Classification Search**

**DESCRIPTION**

USPC ... D14/138 R, 144, 341, 344, 358, 205, 223,  
D14/249; D10/30–39, 70, 98; D11/3, 4,  
D11/93–94; D24/167, 169, 186–187  
CPC ..... G04G 17/08; G04G 21/08; G06F 1/163;  
A61B 5/0243; A61B 5/681  
See application file for complete search history.

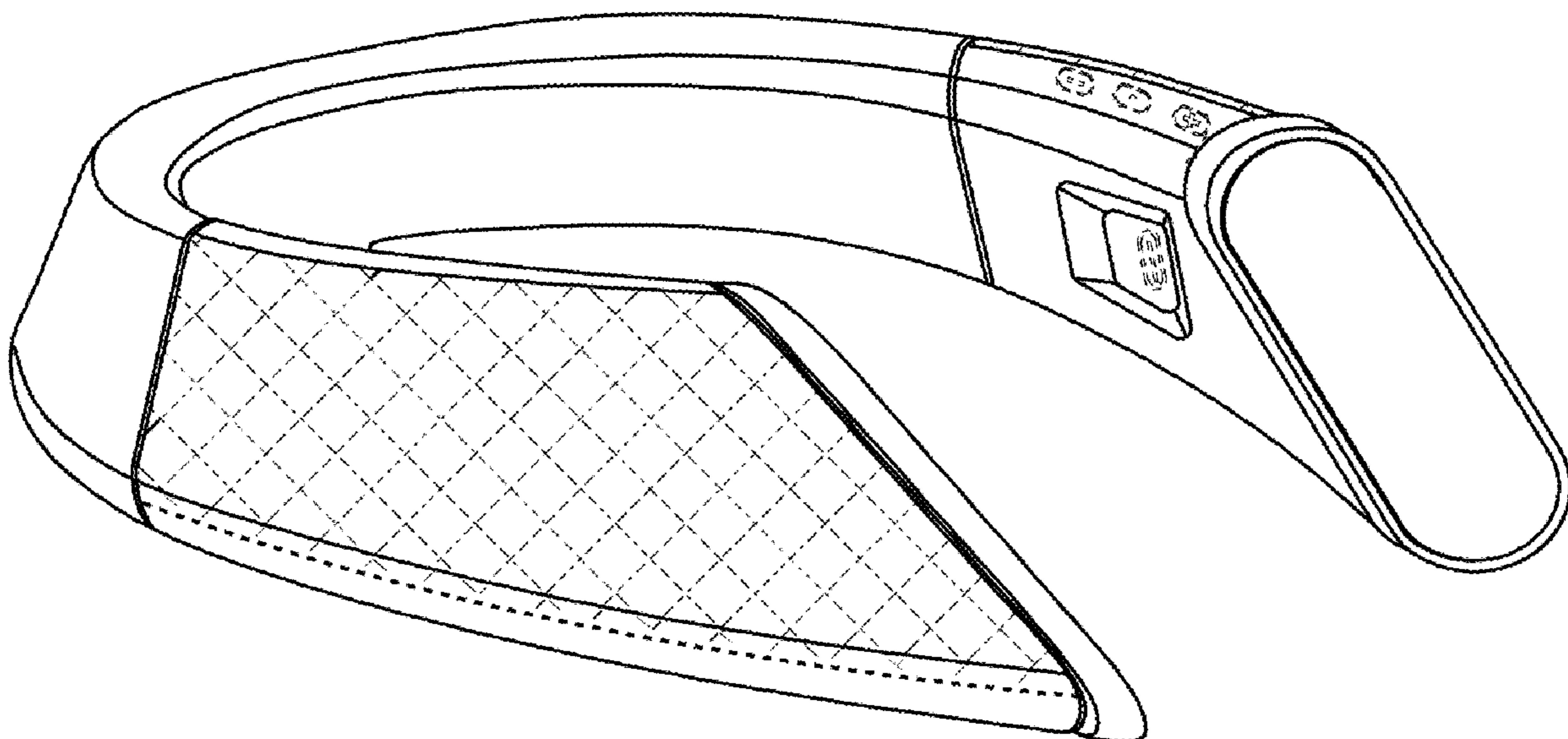
FIG. 1 is a top perspective view of a wearable digital assistant device, in accordance with an embodiment of the present disclosure;  
FIG. 2 is a left side perspective view of the wearable digital assistant device of FIG. 1;  
FIG. 3 is a right side perspective view of the wearable digital assistant device of FIG. 1;  
FIG. 4 is a front planar view of the wearable digital assistant device of FIG. 1;  
FIG. 5 is a bottom planar view of the wearable digital assistant device of FIG. 1;  
FIG. 6 is a top planar view of the wearable digital assistant device of FIG. 1;  
FIG. 7 is a left side planar view of the wearable digital assistant device of FIG. 1, the right side being a mirror image thereof; and,  
FIG. 8 is a rear planar view of the wearable digital assistant device of FIG. 1.  
The broken lines depict portions of the wearable digital assistant device that form no part of the claim.

(56) **References Cited**

**U.S. PATENT DOCUMENTS**

D455,746 S 4/2002 Ronzani et al.  
D795,836 S \* 8/2017 Liden ..... D14/205  
D805,413 S \* 12/2017 Chen ..... D10/70  
9,883,134 B2 1/2018 Pulkkinen et al.  
D811,366 S \* 2/2018 Mackiewicz ..... D14/205  
9,918,541 B2 3/2018 Byun et al.  
D832,817 S \* 11/2018 Park ..... D14/205  
D832,819 S \* 11/2018 Park ..... D14/205  
D835,602 S \* 12/2018 Hardi ..... D14/205  
D840,254 S 2/2019 Nguyen  
D842,837 S \* 3/2019 Li ..... D14/205  
D843,346 S \* 3/2019 Kim ..... D14/205  
D845,270 S \* 4/2019 Weber ..... D14/205  
D855,582 S \* 8/2019 Shin ..... D14/205  
D858,480 S \* 9/2019 Weber ..... D14/205

**1 Claim, 8 Drawing Sheets**



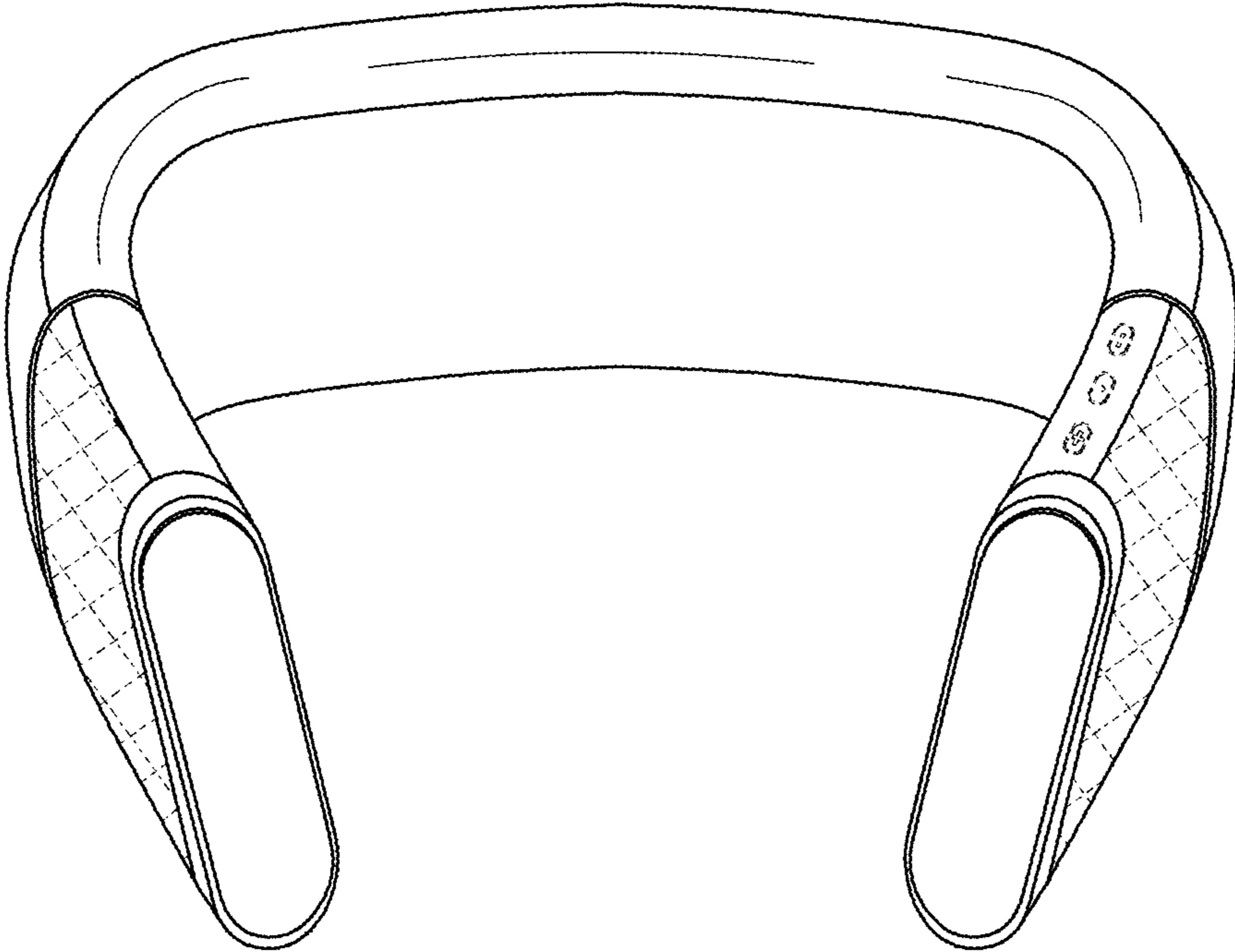


FIG. 1

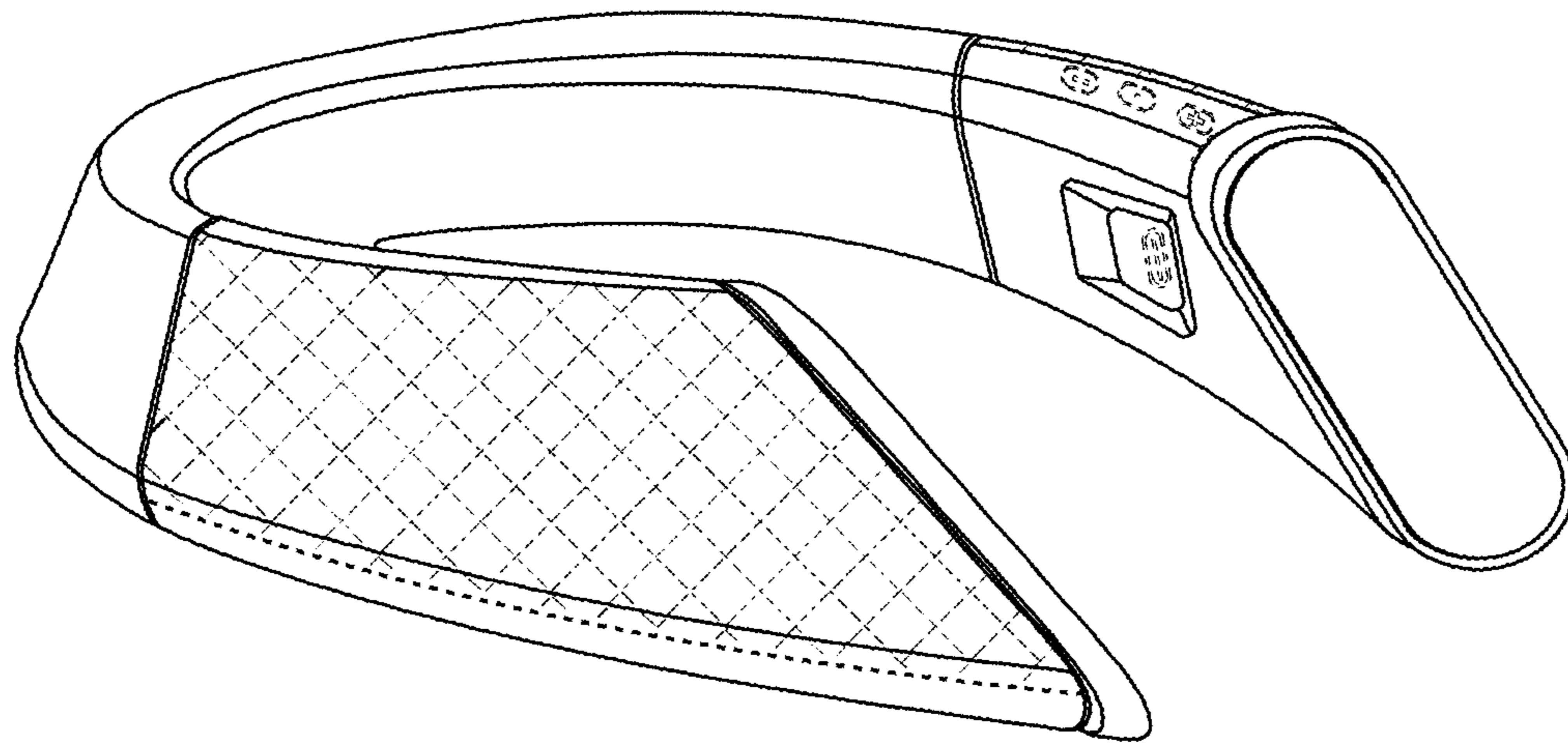


FIG. 2

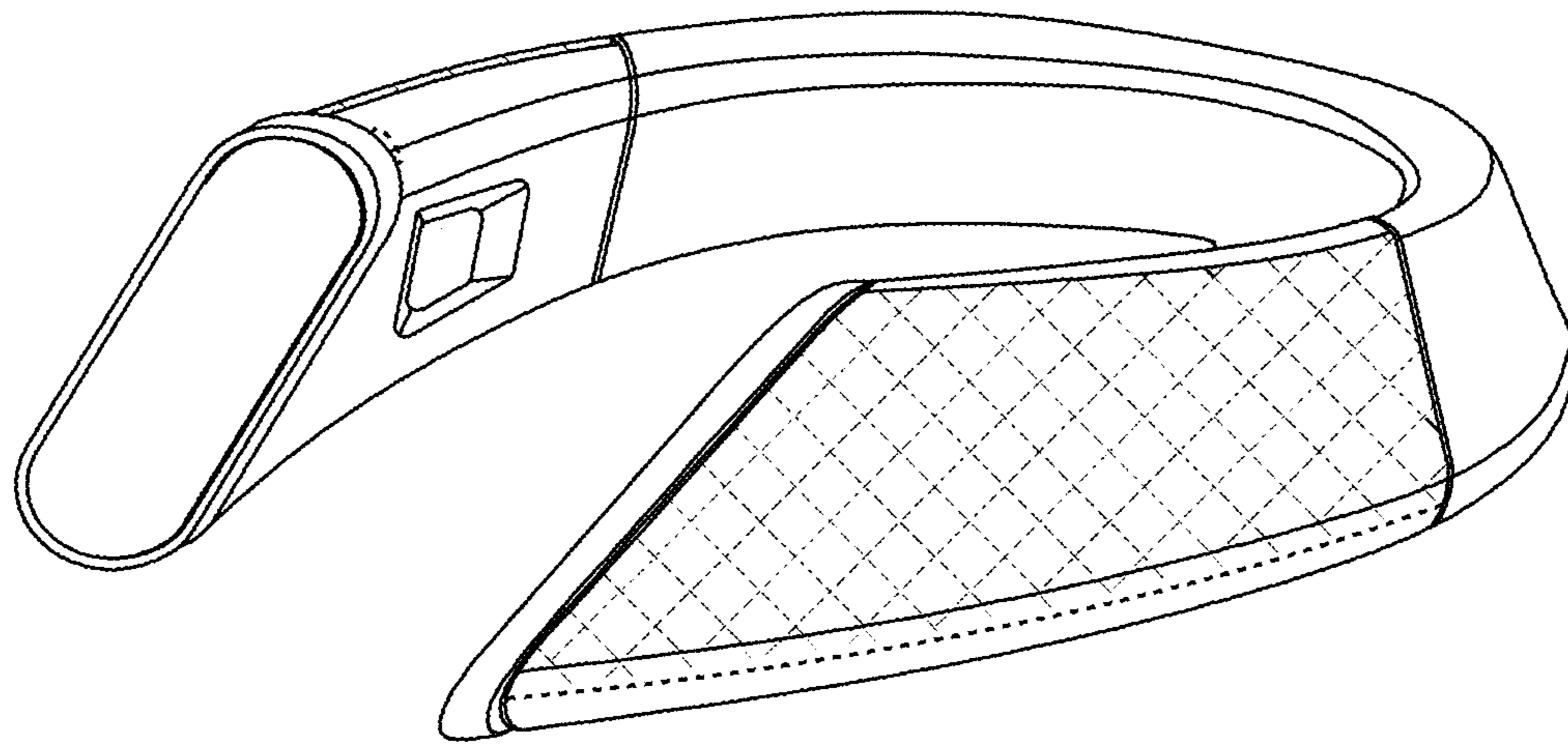


FIG. 3

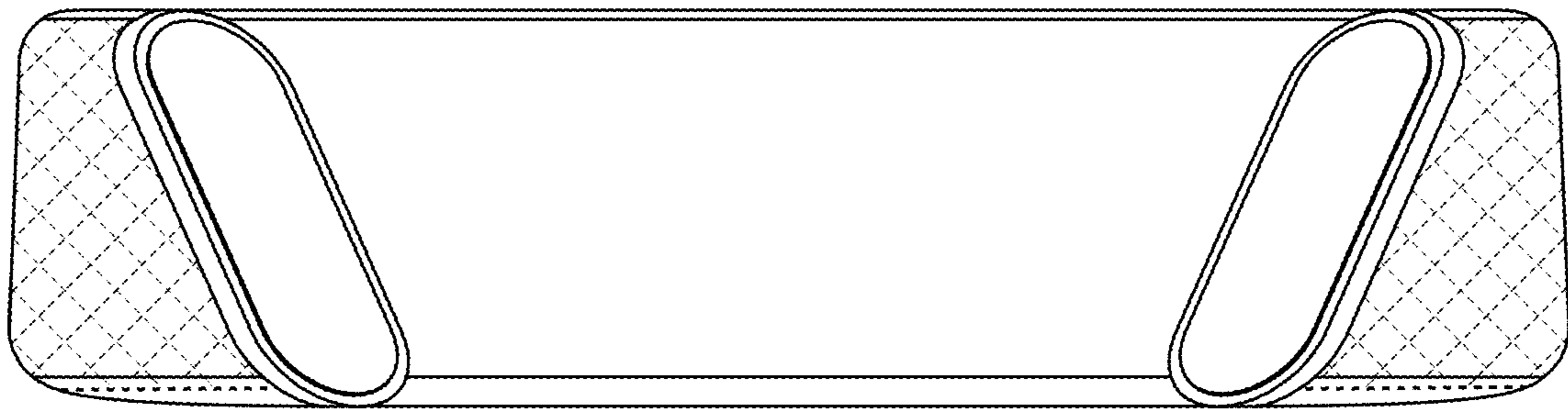


FIG. 4



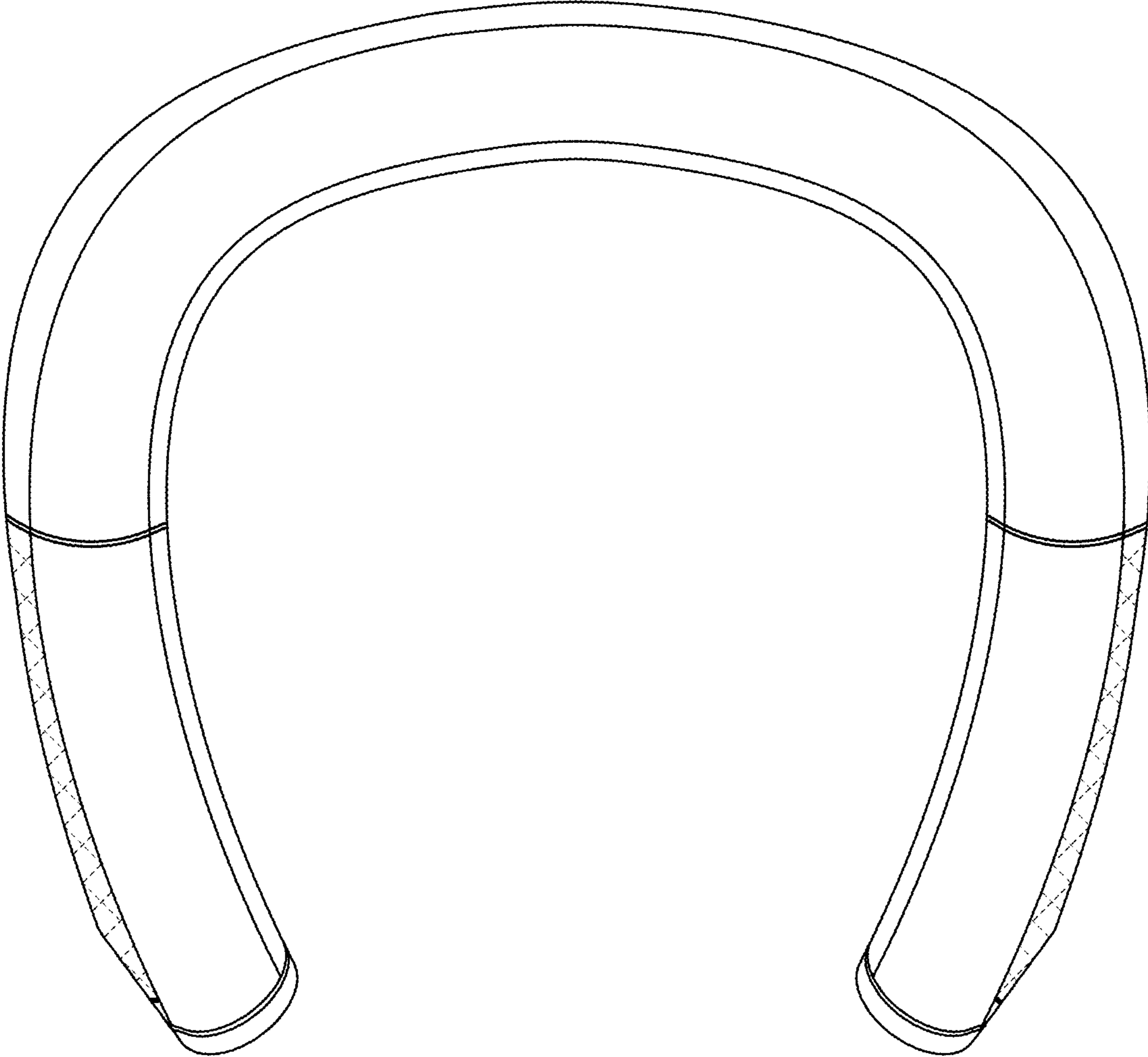


FIG. 5



FIG. 6

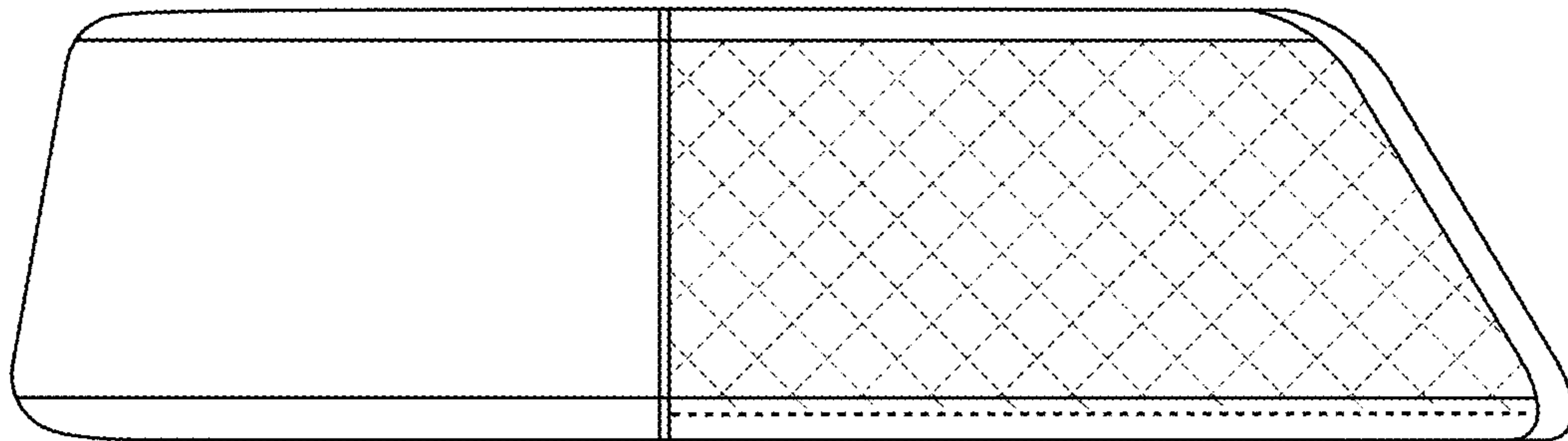
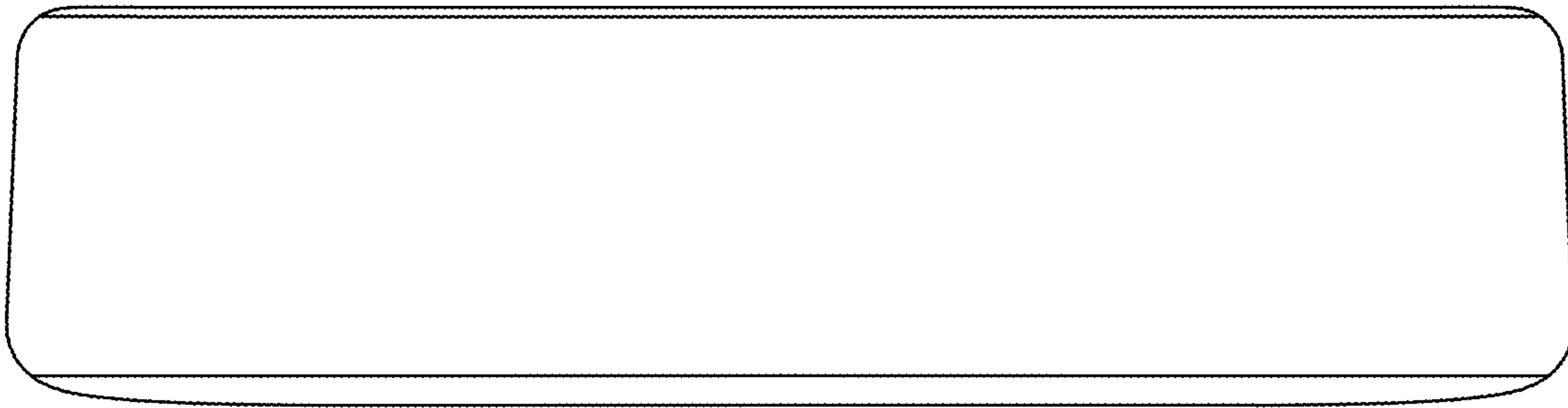


FIG. 7





**FIG. 8**