



US00D966262S

(12) **United States Design Patent** (10) **Patent No.:** **US D966,262 S**
Roberts et al. (45) **Date of Patent:** **** Oct. 11, 2022**

(54) **CAMERA WATCH**
(71) Applicant: **Google LLC**, Mountain View, CA (US)
(72) Inventors: **Rachael Elizabeth Roberts**, San Francisco, CA (US); **Romain Clement**, Campbell, CA (US); **Xi Chen**, San Jose, CA (US); **Luc Vincent**, Palo Alto, CA (US)
(73) Assignee: **GOOGLE LLC**, Mountain View, CA (US)

D378,739 S 4/1997 Strasser
D407,601 S 4/1999 Midden et al.
D433,949 S 11/2000 Helleu
6,192,253 B1 2/2001 Charlier et al.
D451,116 S 11/2001 Kono et al.
D455,659 S 4/2002 Goto
D488,724 S 4/2004 Bertucci
6,809,774 B1 10/2004 Yamazaki et al.
D500,450 S 1/2005 Strasser
D502,200 S 2/2005 Abe
D505,086 S 5/2005 Fernandez
D519,858 S 5/2006 Migliorati

(Continued)

(**) Term: **15 Years**

(21) Appl. No.: **29/695,018**

(22) Filed: **Jun. 14, 2019**

Related U.S. Application Data

(62) Division of application No. 29/609,743, filed on Jul. 5, 2017, now Pat. No. Des. 857,526, which is a division of application No. 29/501,922, filed on Sep. 10, 2014, now Pat. No. Des. 795,709.

(51) **LOC (13) Cl.** **14-02**

(52) **U.S. Cl.**
USPC **D14/344**; D16/208; D10/32

(58) **Field of Classification Search**
USPC D10/30, 32, 38, 65, 70, 98, 132;
D14/138 R, 240, 341, 344; D24/167, 186
CPC A44C 5/0053; A44C 5/145; G06F 1/163
See application file for complete search history.

(56) **References Cited**

U.S. PATENT DOCUMENTS

D22,649 S 7/1893 Casler
D186,180 S 9/1959 Diamond
D243,318 S 2/1977 Kurihara
D356,956 S 4/1995 Hitter
D367,240 S 2/1996 Svast
D373,538 S 9/1996 Riley

OTHER PUBLICATIONS

Ridiculous Nikon 6mm Lens Reappears, publication date Apr. 24, 2012, [online] URL: <https://petapixel.com/2012/04/24/ridiculous-nikon-6mm-lens-reappears-priced-at-160000-in-the-uk/> (Year: 2012).*

(Continued)

Primary Examiner — L. A. Grabenstetter
(74) *Attorney, Agent, or Firm* — Plumsea Law Group, LLC

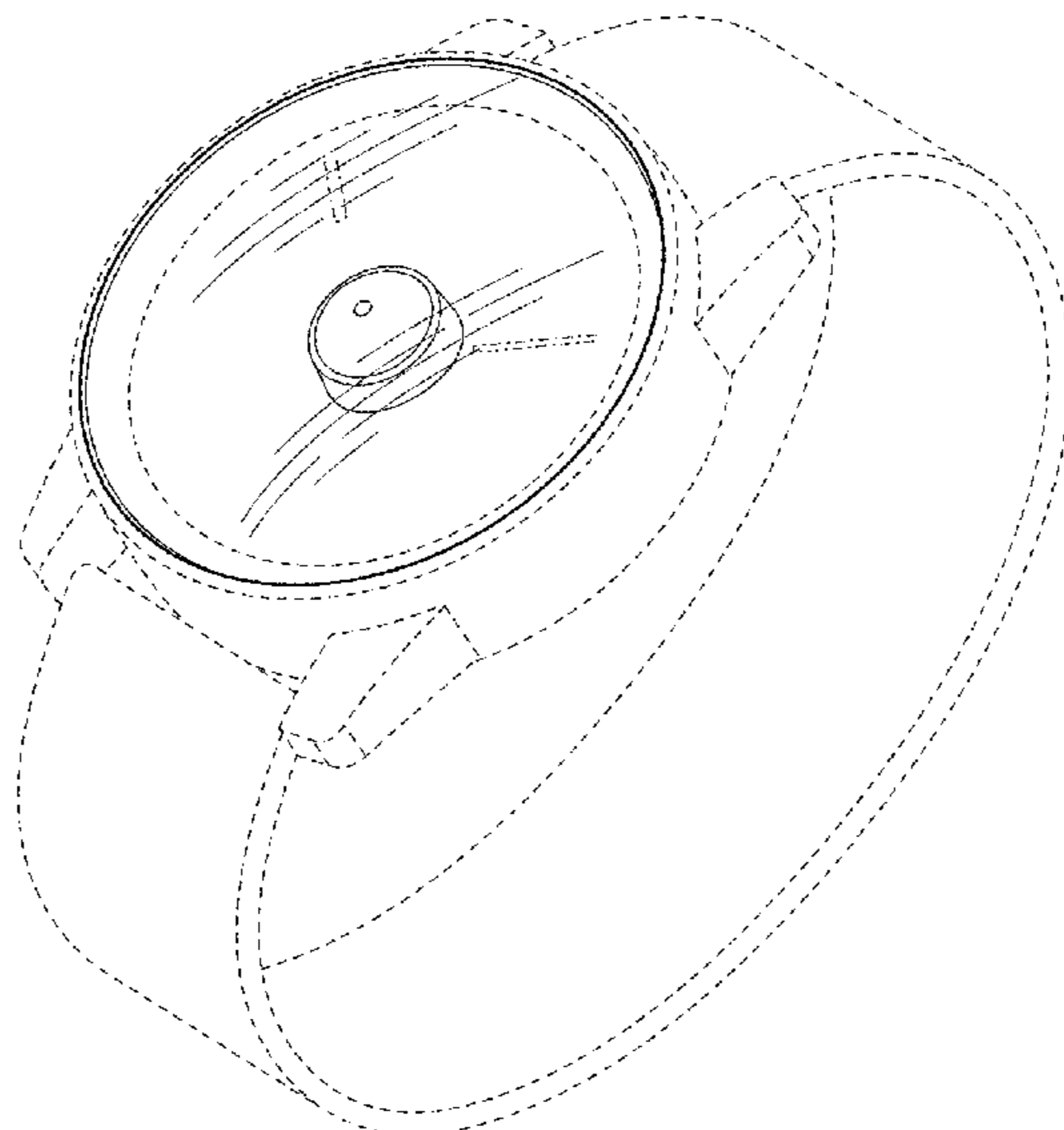
(57) **CLAIM**

The ornamental design for a camera watch, as shown and described.

DESCRIPTION

FIG. 1 is a front perspective view of a camera watch according to our design;
FIG. 2 is a top view thereof;
FIG. 3 is a bottom view thereof;
FIG. 4 is a right side view thereof;
FIG. 5 is a left side view thereof;
FIG. 6 is a front view thereof; and,
FIG. 7 is a rear view thereof.
Broken lines are environmental only and form no part of the claimed design.

1 Claim, 4 Drawing Sheets



(56)

References Cited

U.S. PATENT DOCUMENTS

D560,513 S 1/2008 Glassman
 D564,559 S 3/2008 Stephens et al.
 D574,735 S * 8/2008 Landman D10/38
 D582,955 S 12/2008 Sekine et al.
 D588,024 S 3/2009 Binggeli
 D606,887 S * 12/2009 Landman D10/38
 D612,269 S 3/2010 Leung
 D622,163 S * 8/2010 Loth D10/32
 D624,442 S 9/2010 Clerc
 D624,443 S 9/2010 Cerrato
 D629,703 S 12/2010 Giannini
 D635,472 S 4/2011 Dalla Libera et al.
 D640,936 S 7/2011 Teixeira
 D656,845 S 4/2012 Maier
 8,157,457 B2 4/2012 Khamsepoor et al.
 D664,865 S 8/2012 Luk Ying Yee
 D665,439 S 8/2012 Khamsepoor et al.
 8,251,595 B2 8/2012 Koyama
 8,279,716 B1 10/2012 Gossweiler, III et al.
 D678,081 S 3/2013 Cabiddu
 D684,486 S 6/2013 Messmer et al.
 8,475,059 B2 7/2013 Khamsepoor et al.
 8,506,158 B2 8/2013 Keung et al.
 D690,344 S 9/2013 Hollinger
 8,665,364 B2 3/2014 Lin et al.
 D708,534 S * 7/2014 Martin D10/104.1
 D711,872 S * 8/2014 Aumiller D14/344
 D717,759 S * 11/2014 Choi D14/344
 D725,073 S * 3/2015 Ji D14/344
 D729,796 S * 5/2015 Song D14/344
 D756,244 S * 5/2016 Bastian D10/30
 D766,741 S * 9/2016 Tschumi D10/38
 D772,729 S * 11/2016 Perret D10/38

D795,709 S * 8/2017 Roberts D16/208
 D805,405 S * 12/2017 Henne D10/30
 D805,406 S * 12/2017 Register D10/30
 D857,526 S * 8/2019 Roberts D16/208
 D860,817 S * 9/2019 Bove A41D 19/0027
 D10/30
 D875,556 S * 2/2020 Matey D10/39
 D922,213 S * 6/2021 Matey D10/39
 D926,596 S * 8/2021 Scheufele D10/32
 D939,360 S * 12/2021 Qu D10/32
 2011/0214158 A1 9/2011 Pasquero et al.
 2011/0243547 A1 10/2011 Khamsepoor et al.
 2011/0243548 A1 10/2011 Khamsepoor et al.
 2014/0143785 A1 5/2014 Mistry et al.
 2018/0039232 A1 * 2/2018 Abramov G04G 19/12
 2020/0249632 A1 * 8/2020 Olwal G06F 1/163

OTHER PUBLICATIONS

ZIIIRO Delivers Yet Another Beautiful Timepiece, publication date Nov. 5, 2013, [online] URL: <https://www.core77.com/posts/25846/ziiiro-delivers-yet-another-beautiful-timepiece-to-add-to-the-roster-with-their-titan-pocket-watch-25846> (Year: 2013).*

Ten creative camera concepts, publication date Jul. 22, 2009, [online] URL: <https://www.yankodesign.com/2009/07/22/ten-creative-camera-concepts/> (Year: 2009).*

A Watch for Automotive Enthusiasts, publication date Jan. 6, 2011, [online] <https://www.yankodesign.com/2011/01/06/a-watch-for-automotive-enthusiasts/> (Year: 2011).*

Pixel Watch—The One True Apple Watch Competitor Has Finally Arrived, publication date May 11, 2022, [online] URL: <https://www.yankodesign.com/2022/05/11/pixel-watch-the-one-true-apple-watch-competitor-has-finally-arrived/> (Year: 2022).*

* cited by examiner

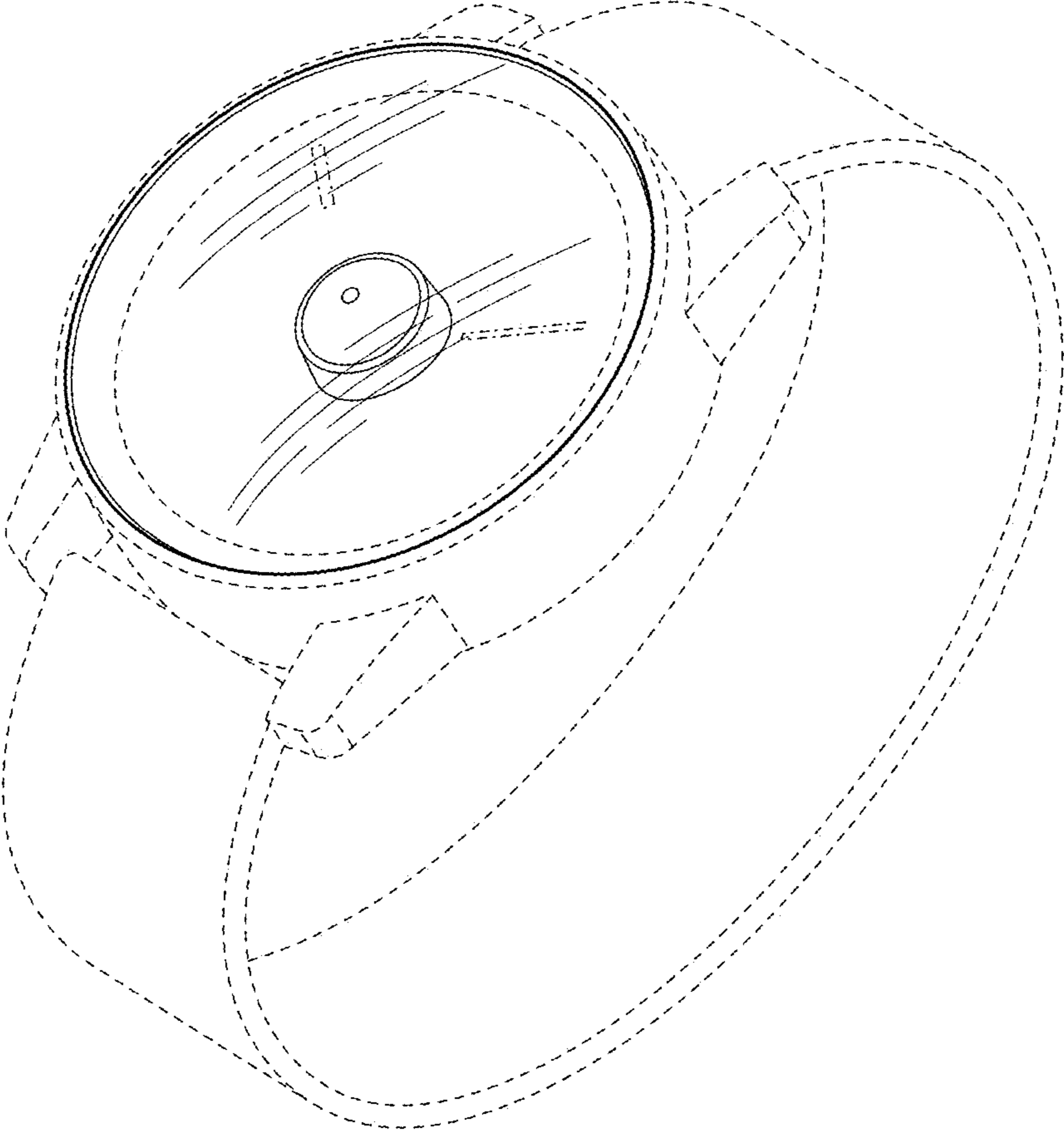


FIG. 1

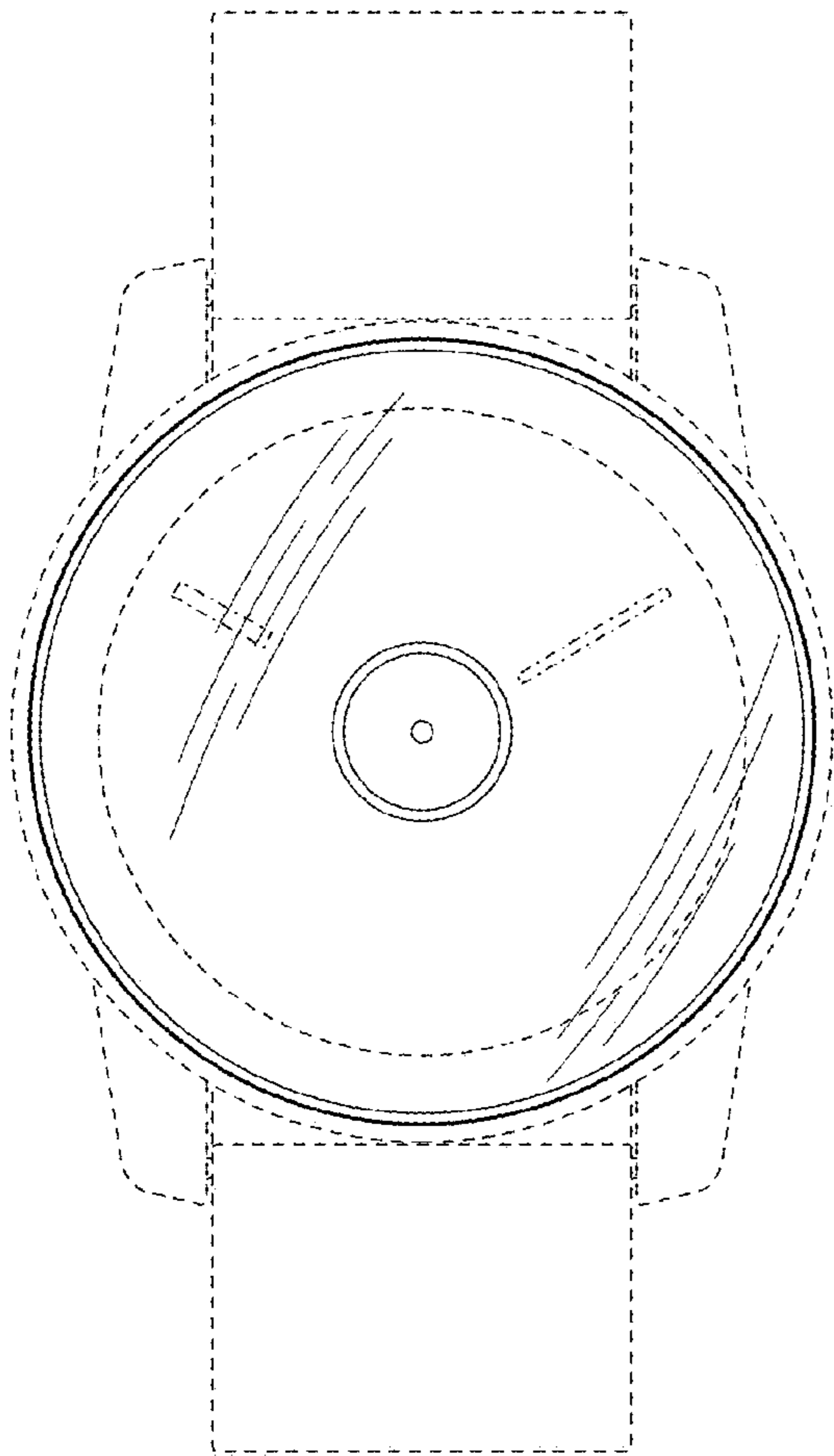


FIG. 2

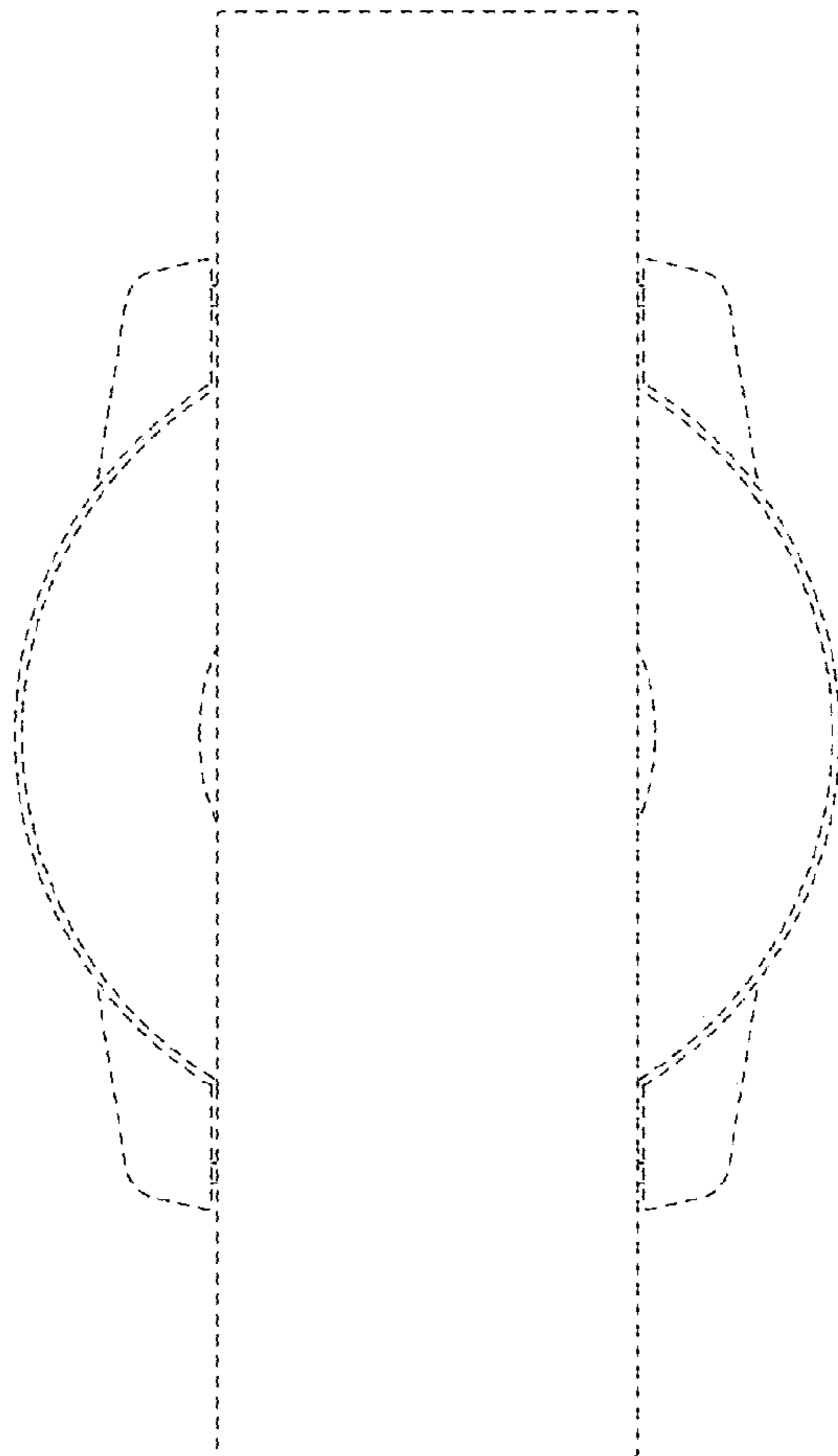


FIG. 3

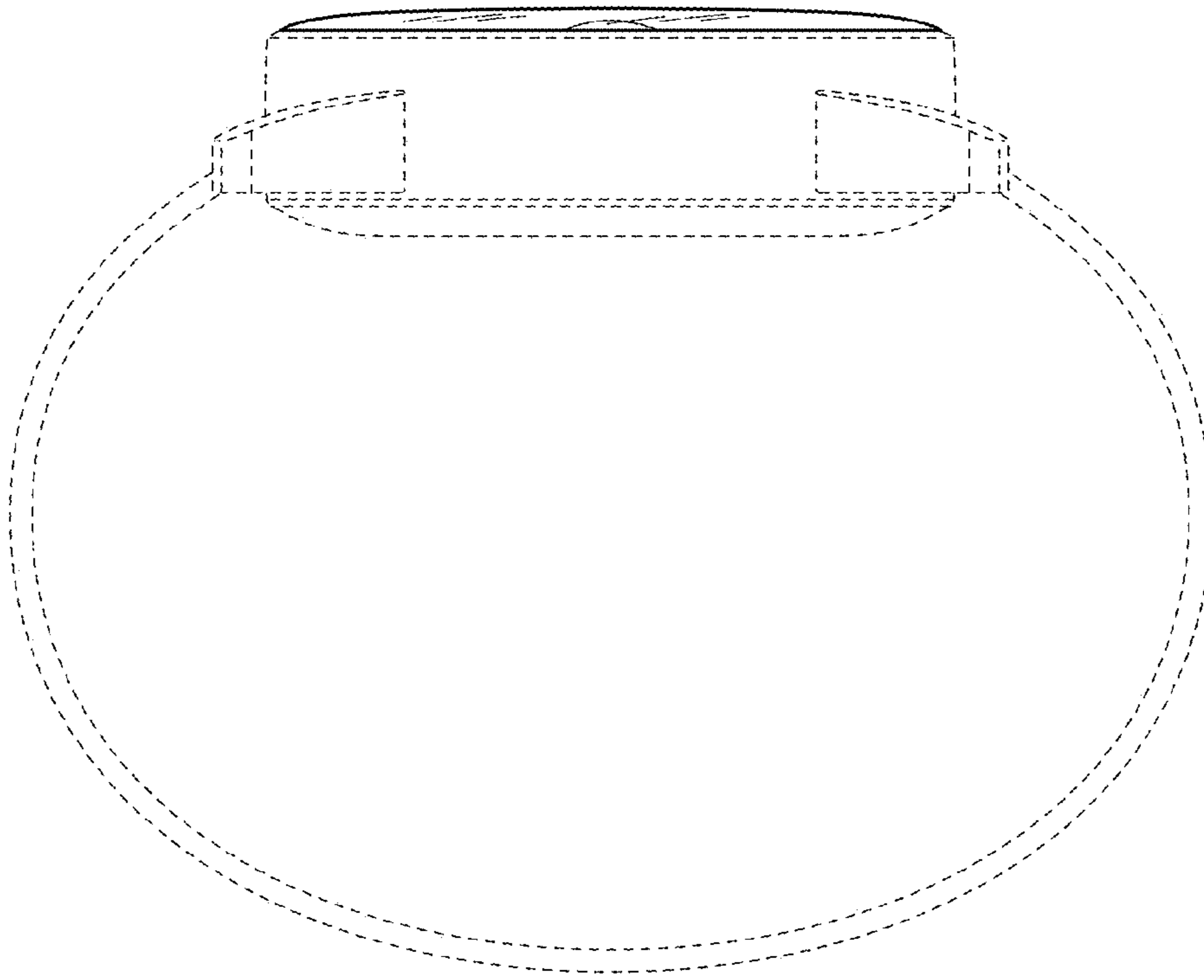


FIG. 4

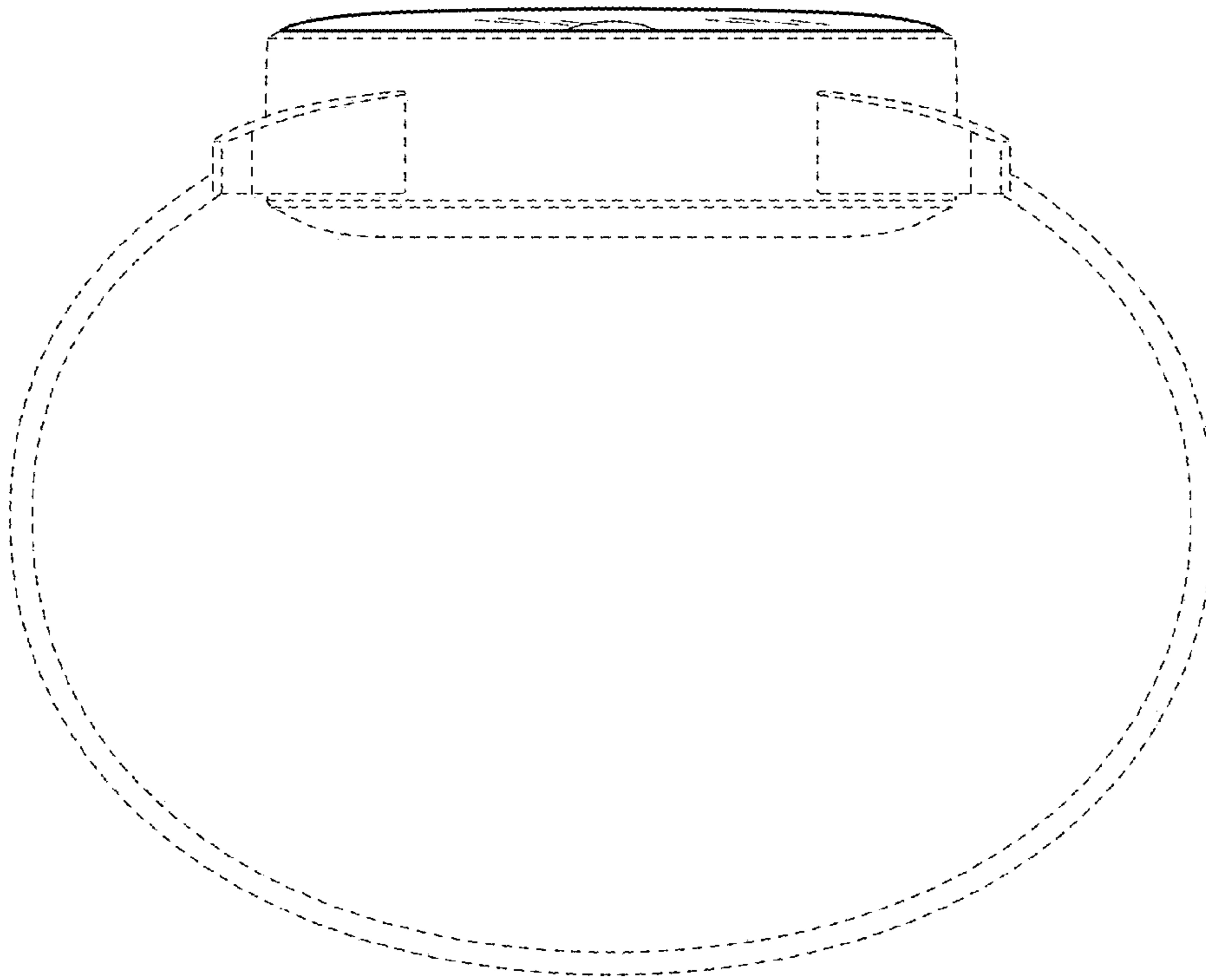


FIG. 5

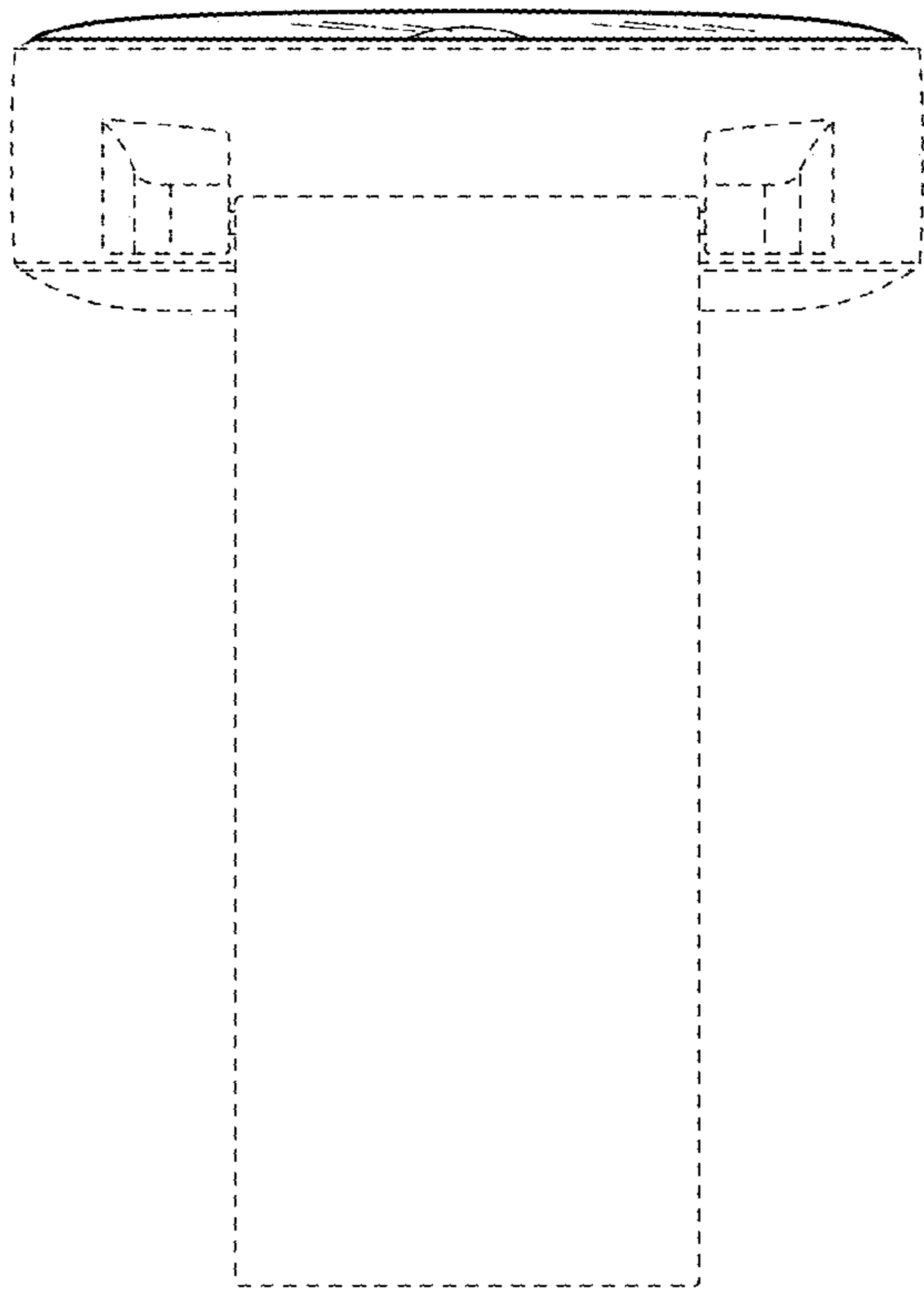


FIG. 6

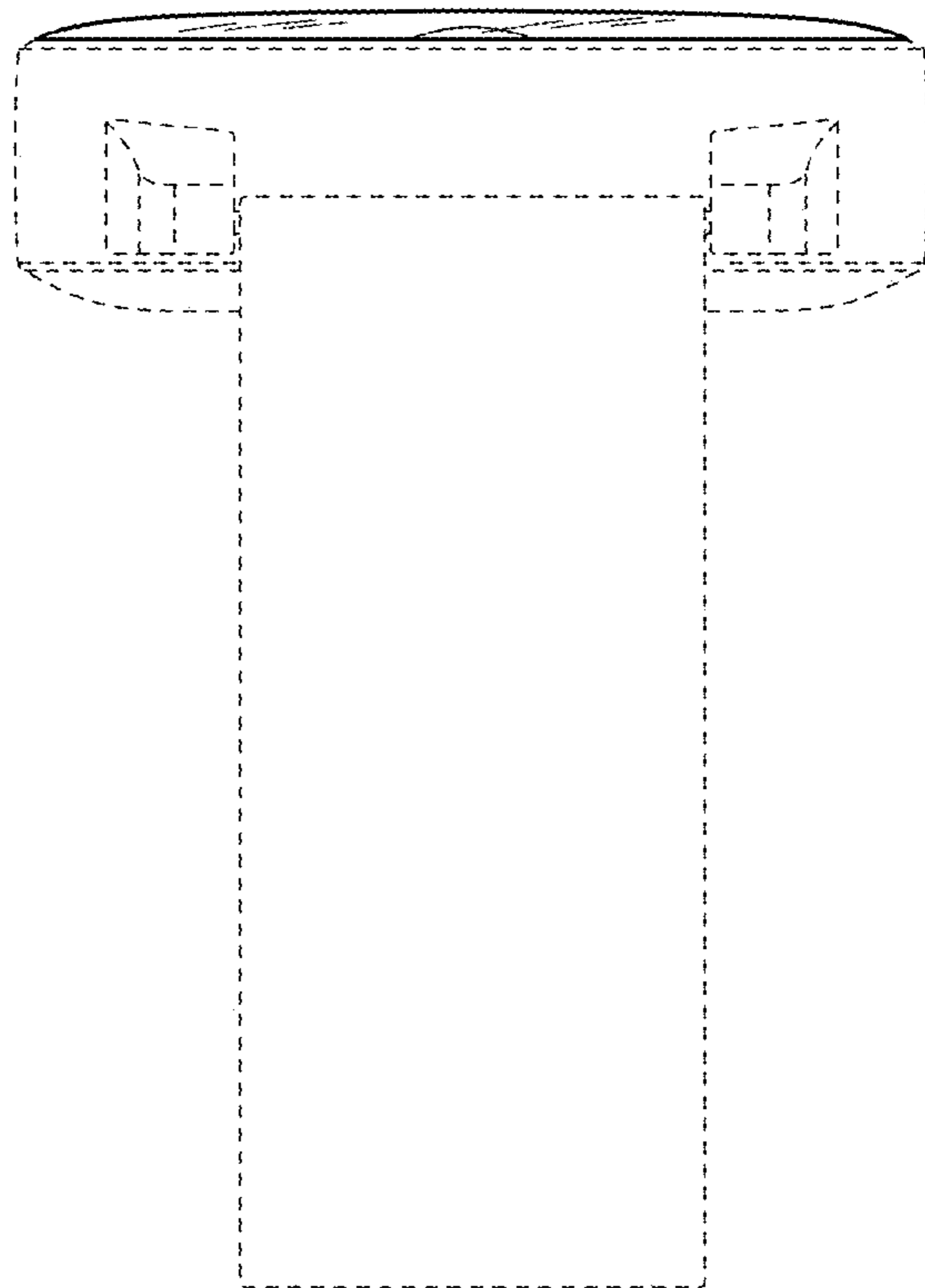


FIG. 7