

US00D966260S

(12) **United States Design Patent**
Xiong

(10) **Patent No.:** **US D966,260 S**

(45) **Date of Patent:** **** Oct. 11, 2022**

- (54) **DISPLAY SCREEN**
- (71) Applicant: **Shenzhen Sunvey Tech Co., Ltd,**
Shenzhen (CN)
- (72) Inventor: **Lijun Xiong,** Shenzhen (CN)
- (**) Term: **15 Years**
- (21) Appl. No.: **29/766,739**
- (22) Filed: **Jan. 18, 2021**
- (51) **LOC (13) Cl.** **14-02**
- (52) **U.S. Cl.**
USPC **D14/343; D14/371; D14/374**
- (58) **Field of Classification Search**
USPC D14/336, 341, 342, 343, 344, 345, 346,
D14/347, 371, 374, 126, 125, 496;
D13/162.1; D21/329; D10/50, 65, 74,
D10/104.1
CPC B60R 1/00; B60R 1/04; B60R 1/08; B60R
1/025; B60R 11/0264; B60R 11/0258;
B60R 2001/1215; B60R 2001/1284;
G06F 1/1641; G06F 1/1626
See application file for complete search history.

D926,148 S * 7/2021 Shim G06F 1/18
D14/371
D944,795 S * 3/2022 Xiong D14/371
D951,248 S * 5/2022 Chen D14/371

FOREIGN PATENT DOCUMENTS

CN 304912977 * 11/2018
CN 305131406 * 4/2019
CN 305275379 * 7/2019

OTHER PUBLICATIONS

Hubble, first available Jul. 26, 2021 [online], [retrieved May 17, 2022]. Available from the Internet, URL:<https://www.amazon.com/dp/B09B7VRR4B/ref=cm_sw_em_r_mt_dp_PRMDT08E3PD2Z1XDBRGN?_encoding=UTF8&psc=1> (Year: 2021).*

(Continued)

Primary Examiner — Tracey J Bell
Assistant Examiner — Russell Carnell Smith, Jr.

(57) **CLAIM**

The ornamental design for a display screen, as shown and described.

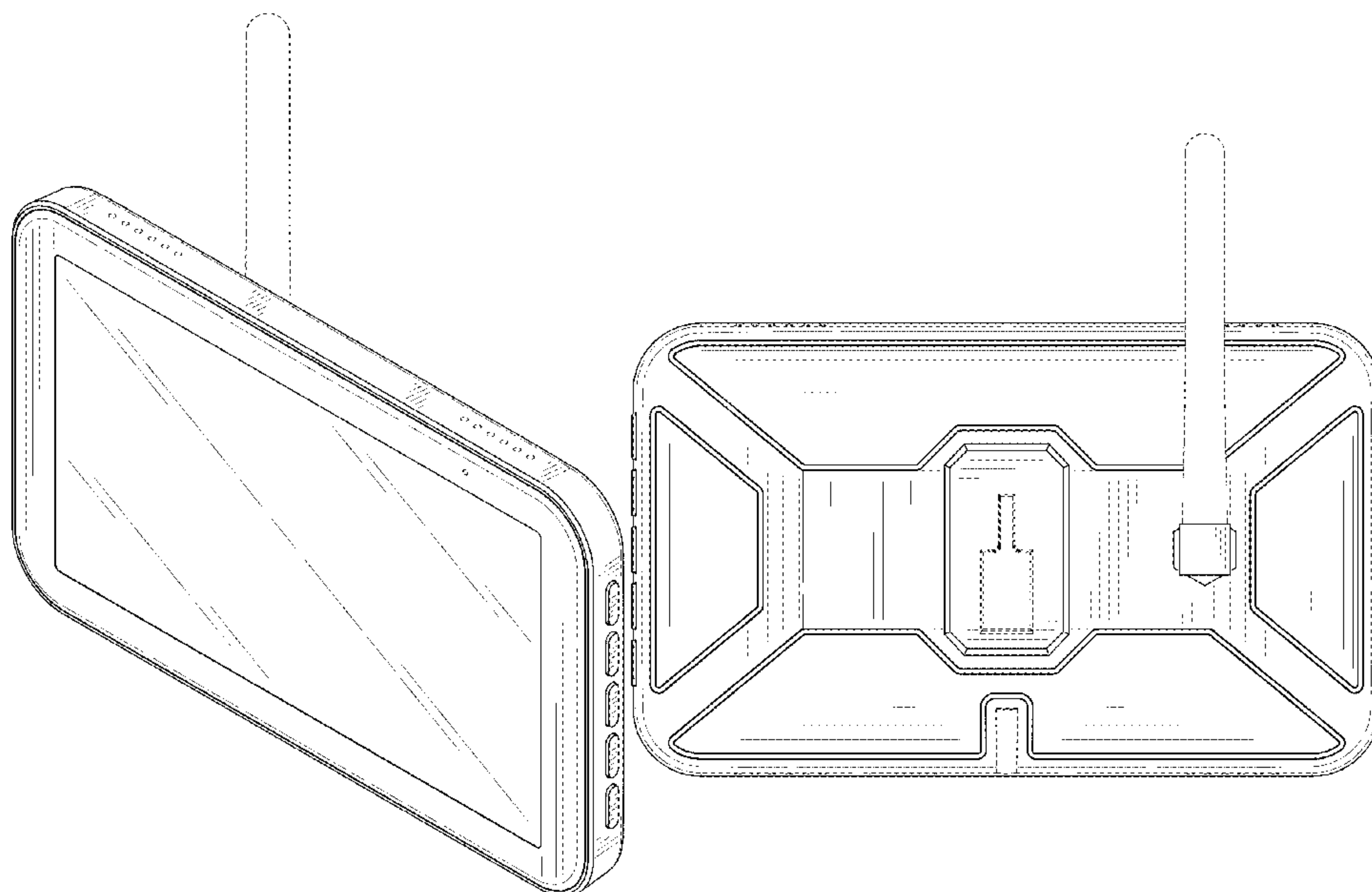
DESCRIPTION

FIG. 1 is a first perspective view of a display screen showing my new design;
FIG. 2 is a second perspective view thereof;
FIG. 3 is a front view thereof;
FIG. 4 is a back view thereof;
FIG. 5 is a left side view thereof;
FIG. 6 is a right side view thereof;
FIG. 7 is a top view thereof; and,
FIG. 8 is a bottom view thereof.
The broken lines shown in the drawings depict portions of the display screen in which the design is embodied that form no part of the claimed design.

1 Claim, 8 Drawing Sheets

(56) **References Cited**
U.S. PATENT DOCUMENTS

D396,222 S * 7/1998 Morgan D14/374
D582,916 S * 12/2008 Wada D14/371
D608,778 S * 1/2010 Lee D14/371
D620,938 S * 8/2010 Shih D14/374
D628,199 S * 11/2010 Yukikado D14/374
D671,940 S * 12/2012 Kim D14/374
D729,644 S * 5/2015 Browning D10/65
D729,793 S * 5/2015 Hickok D14/371
D881,771 S * 4/2020 Xiong D12/192
D893,201 S * 8/2020 Jiang D14/374
D897,983 S * 10/2020 Ravat D14/159



(56)

References Cited

OTHER PUBLICATIONS

Casacam, oldest review Oct. 17, 2018 [online], [retrieved May 17, 2022]. Available from the Internet, URL:<https://www.amazon.com/dp/B07BJJR4MZ/ref=cm_sw_em_r_mt_dp_ZHC291JZJ76YDSB8T03Z?_encoding=UTF8&psc=1>. (Year: 2018).*

Wireless Backup Camera, first available Jul. 16, 2018 [online], [retrieved May 21, 2022]. Available from the Internet, URL:<https://www.amazon.com/dp/B07FLZ1HSQ/ref=cm_sw_r_cp_ud_dp_CBJE0NYRXBWWFH1SPQGG>. (Year: 2018).*

* cited by examiner

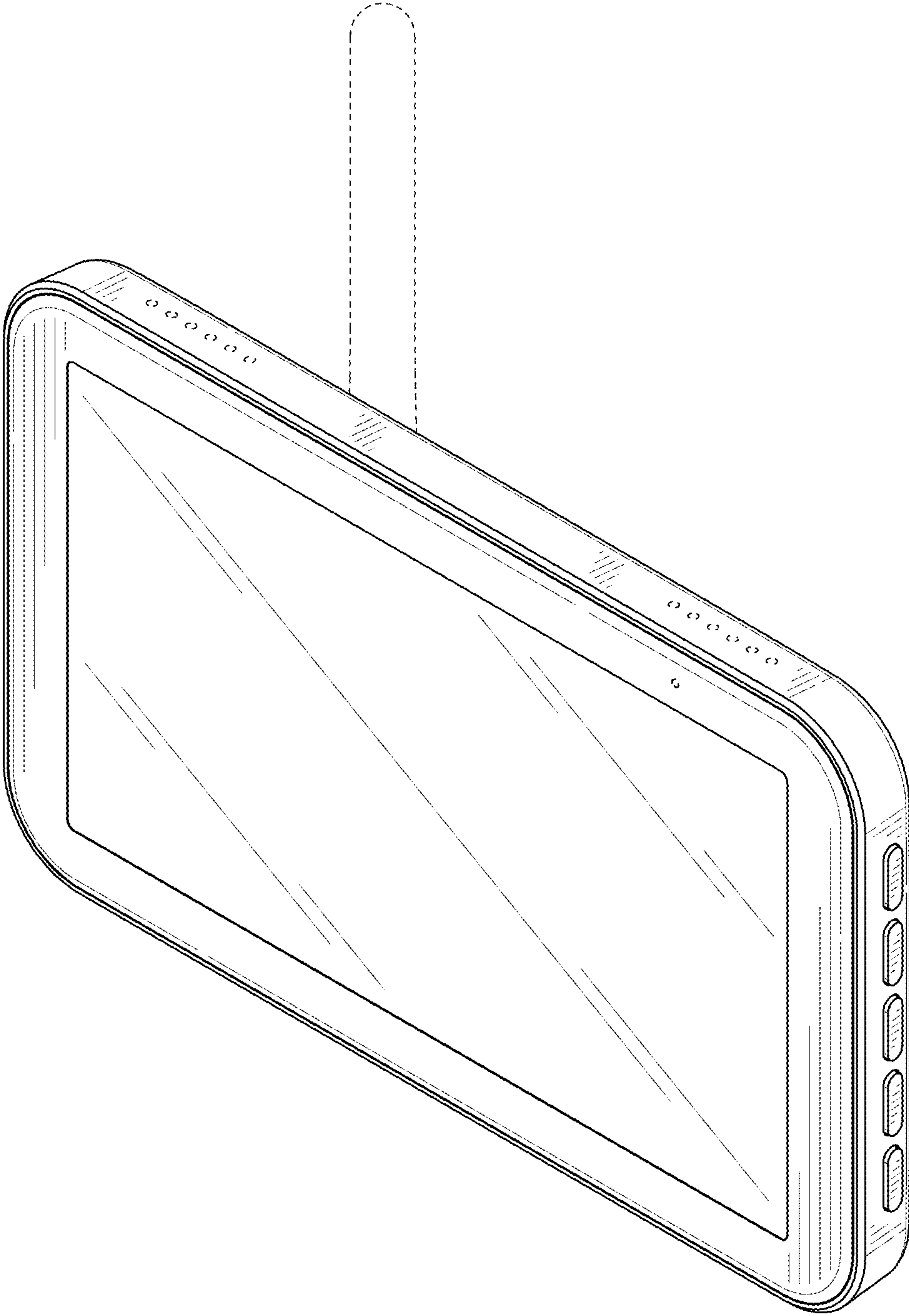


FIG. 1

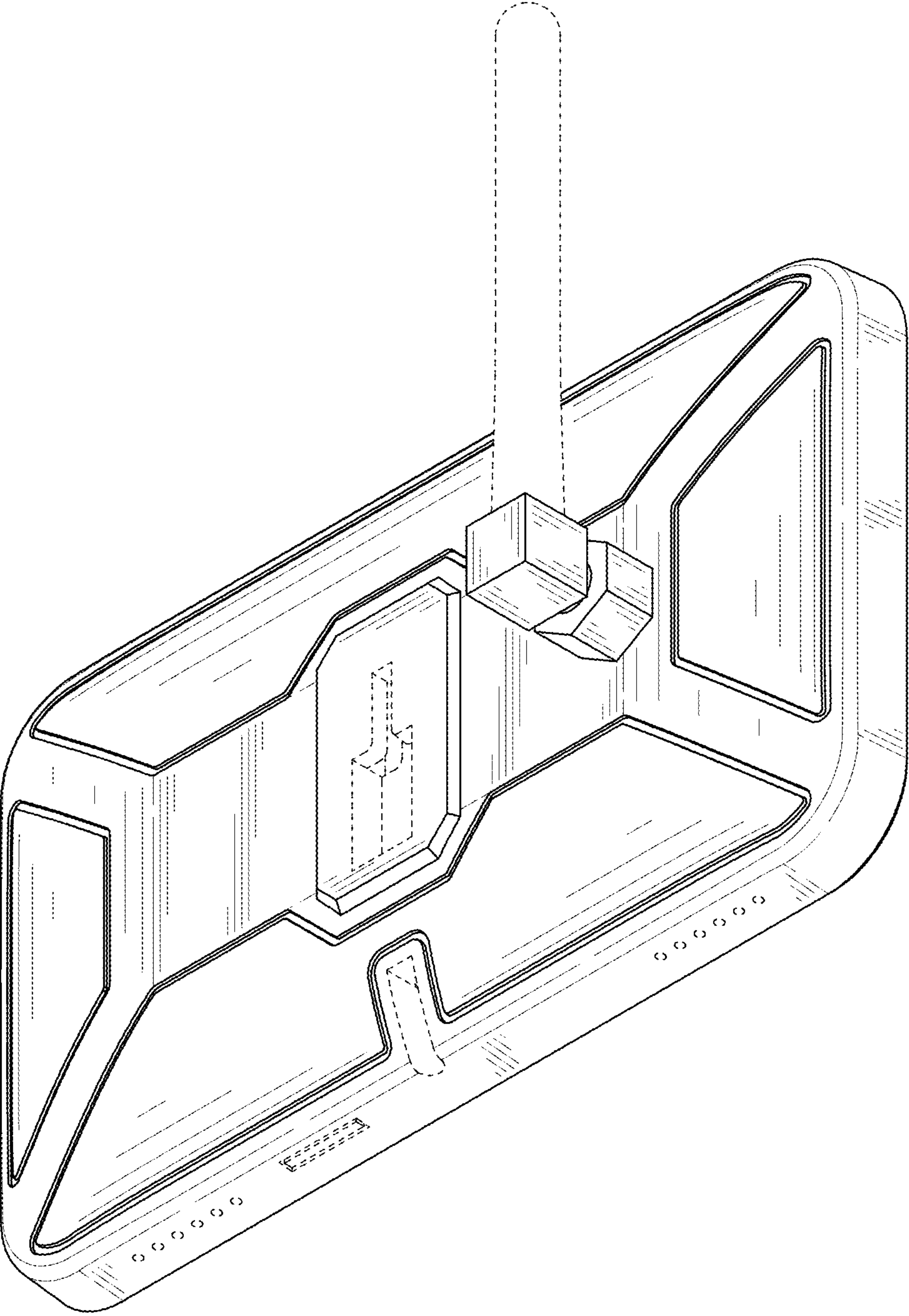


FIG. 2

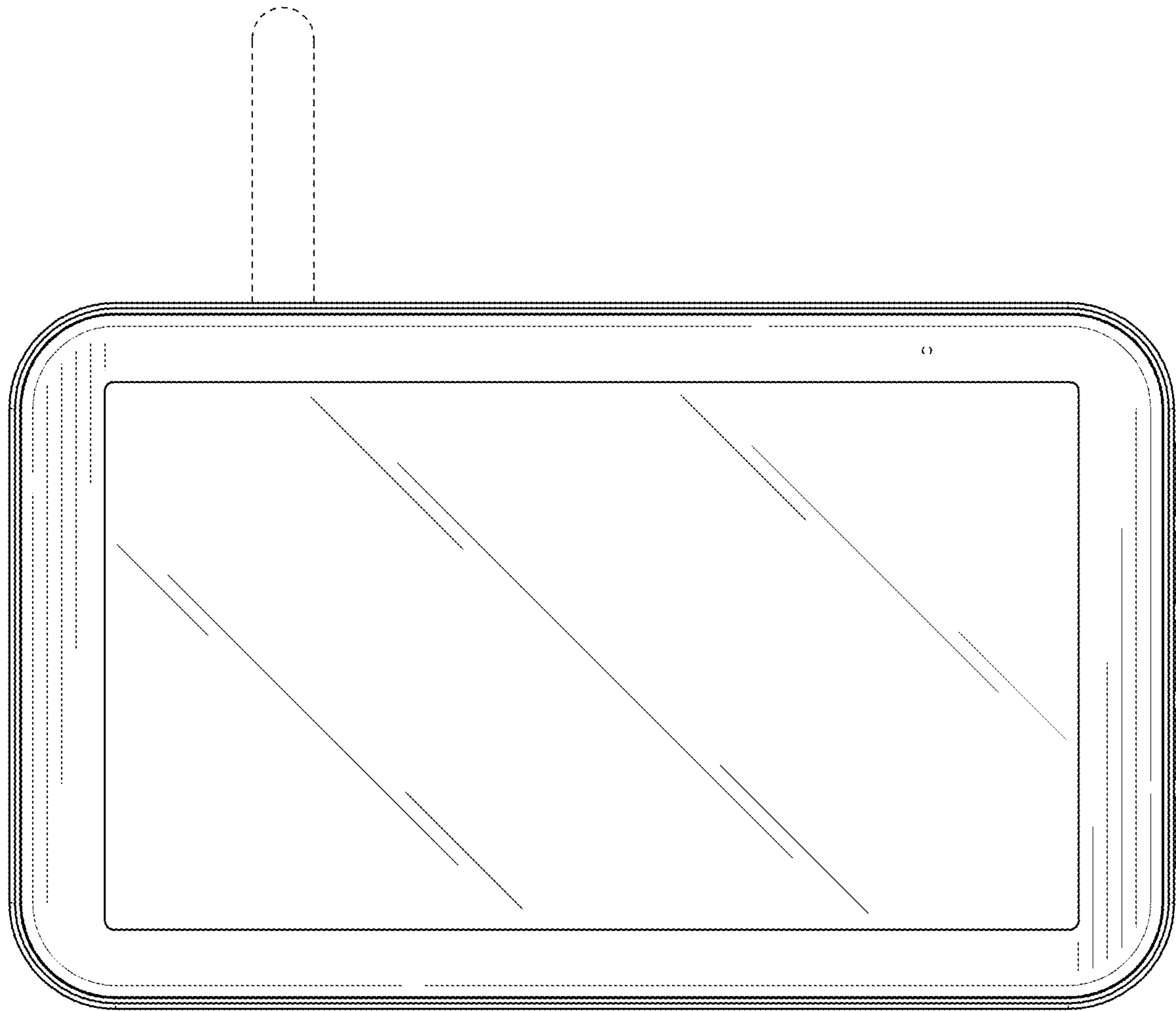


FIG. 3

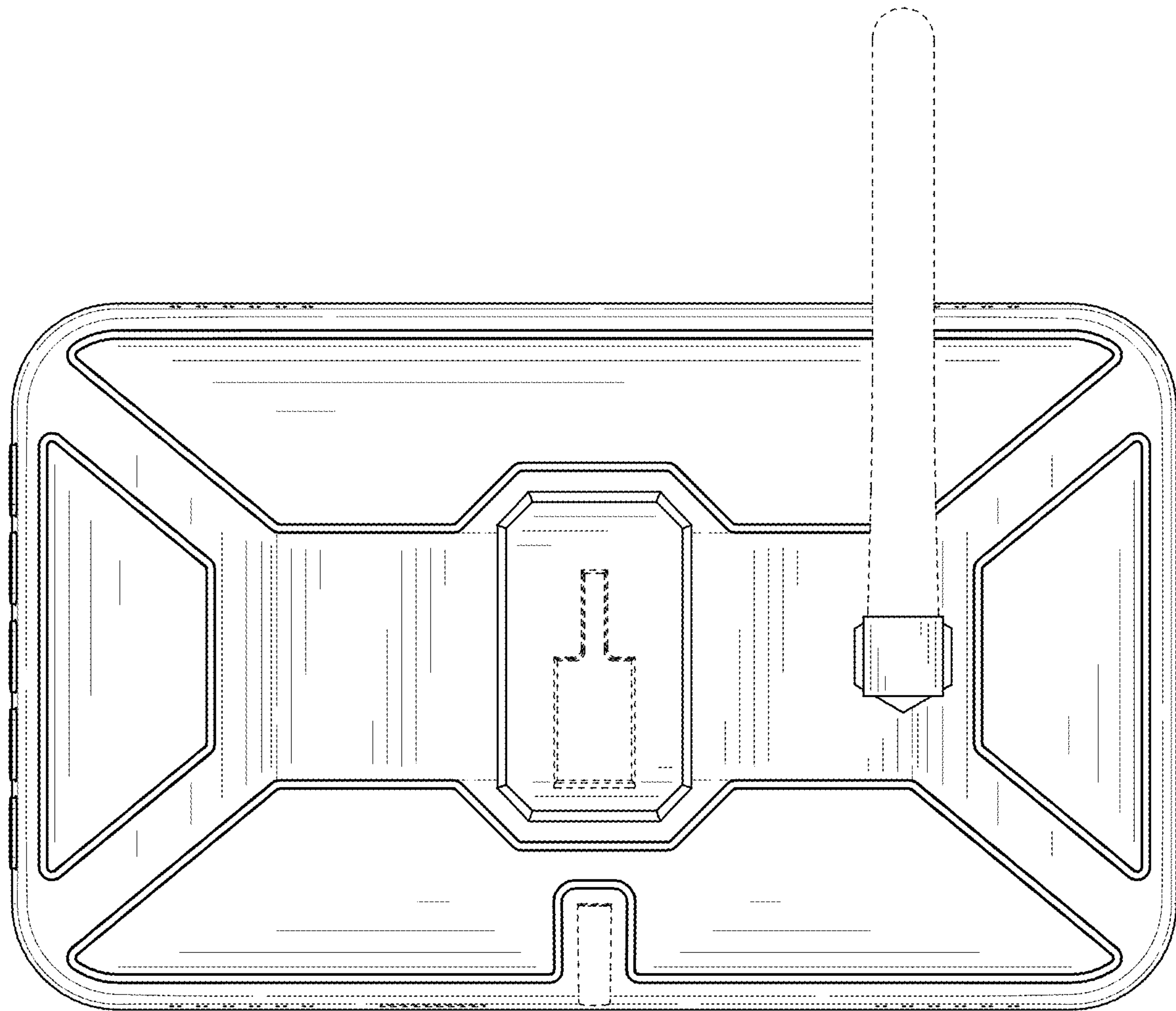


FIG. 4

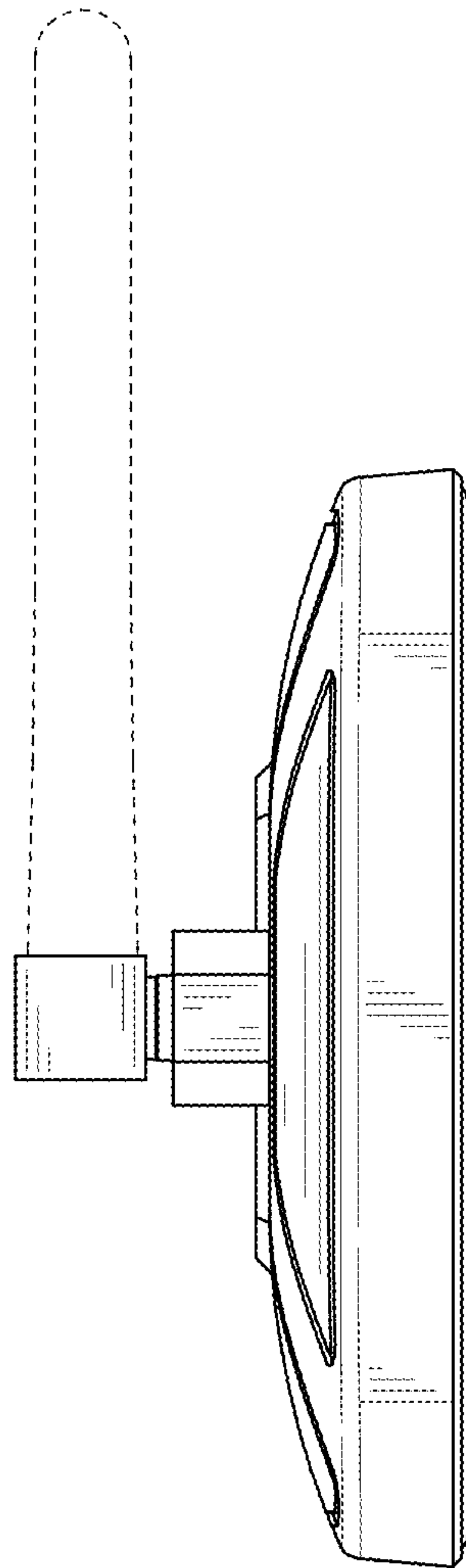


FIG. 5

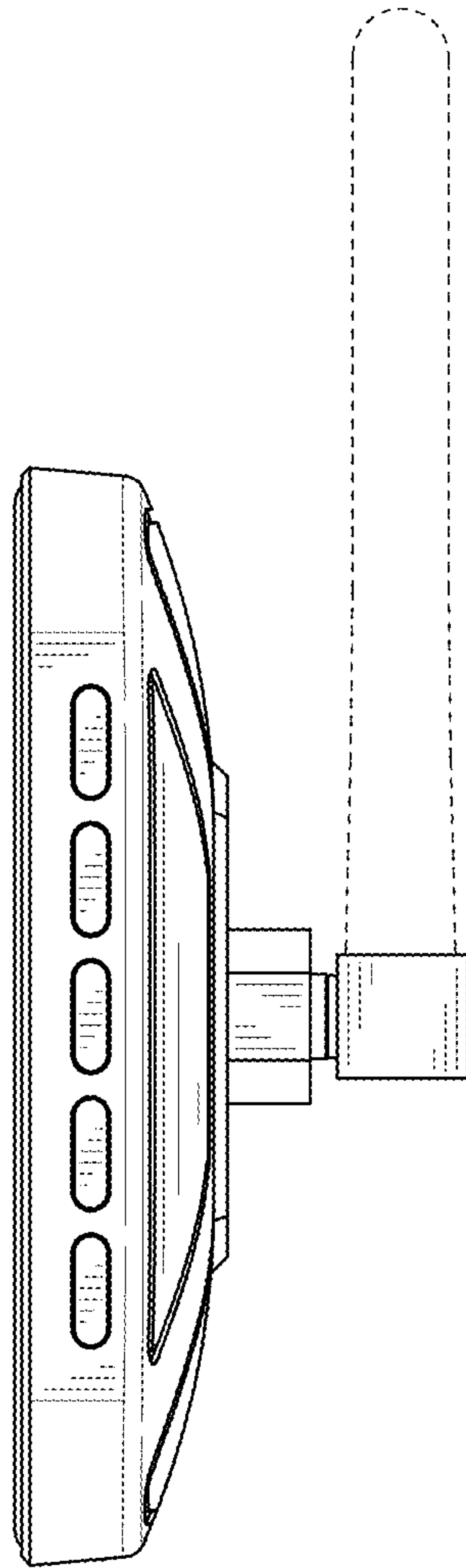


FIG. 6

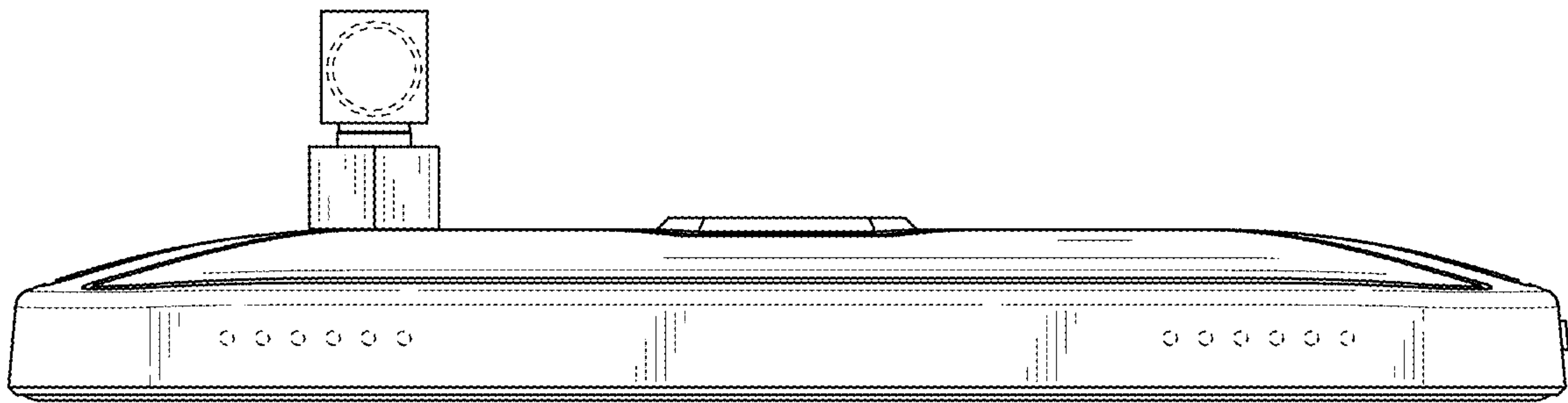


FIG. 7

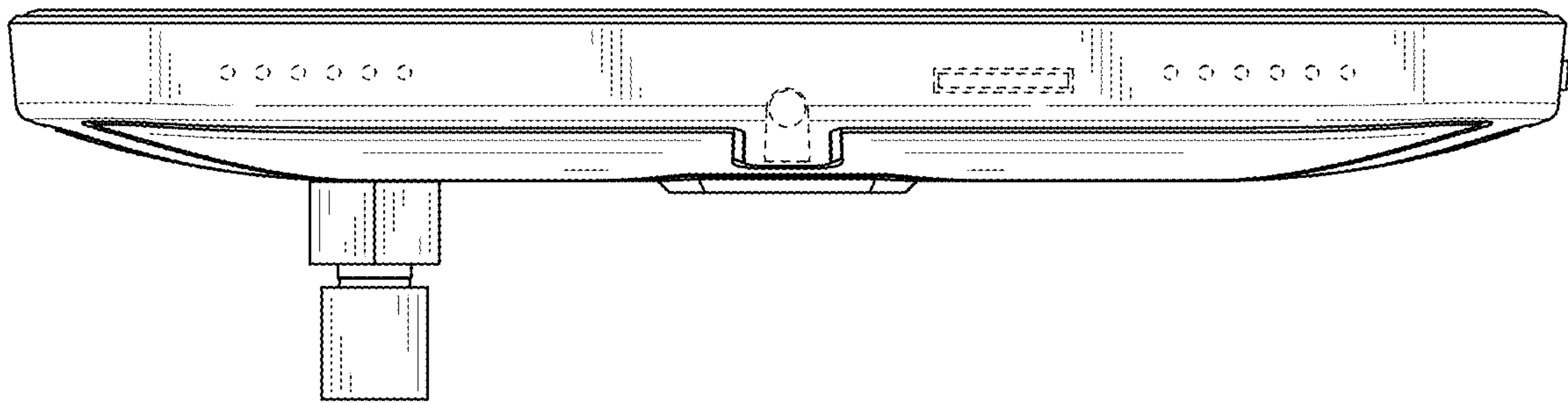


FIG. 8