



US00D966258S

(12) **United States Design Patent** (10) **Patent No.:** **US D966,258 S**
Raken et al. (45) **Date of Patent:** **** Oct. 11, 2022**

(54) **COMPUTING DEVICE**
(71) Applicant: **Microsoft Corporation**, Redmond, WA (US)
(72) Inventors: **Jan Raken**, Seattle, WA (US); **Anthony Reed**, Bellevue, WA (US); **Shunjiro Eguchi**, Sammamish, WA (US)
(73) Assignee: **Microsoft Corporation**, Redmond, WA (US)
(**) Term: **15 Years**
(21) Appl. No.: **29/707,892**
(22) Filed: **Oct. 1, 2019**
(51) **LOC (13) Cl.** **14-02**
(52) **U.S. Cl.**
USPC **D14/341**
(58) **Field of Classification Search**
USPC D14/300, 305, 307, 314-327, 334-337, D14/339-341, 345, 356, 371, 374-382, D14/389, 432, 450-451, 496, 125-127, D14/129-132, 203.1, 203.3, 203.4, 203.7, D14/203.8
CPC G06F 1/1616; G06F 1/1618; G06F 1/1641; G06F 1/1643; G06F 1/1654; G06F 1/1637; G06F 1/1681; G06F 1/16; G06F 1/1626; G06F 1/1613; H05K 5/0017
See application file for complete search history.

(56) **References Cited**
U.S. PATENT DOCUMENTS
D664,954 S * 8/2012 Kim D14/341
D677,660 S 3/2013 Groene et al.
D678,877 S 3/2013 Groene et al.
D694,211 S * 11/2013 Yuu D14/138 G
D696,254 S * 12/2013 Groene D14/341
D705,776 S 5/2014 Groene et al.
D705,777 S * 5/2014 Groene D14/341

D705,778 S 5/2014 Groene et al.
D713,403 S 9/2014 Groene et al.
D719,564 S * 12/2014 Ji D14/315
D720,747 S * 1/2015 Kim D14/345
D743,959 S 11/2015 Landwehr
(Continued)

FOREIGN PATENT DOCUMENTS

JP HA2500165400 2/2013
JP 1475166 S 7/2013
(Continued)

OTHER PUBLICATIONS

Estrada, AJ, Best Android Tablet in 2019, posted at Inquirer, posting date Mar. 30, 2019. Site visited Jun. 1, 2022. URL: <https://usa.inquirer.net/25753/best-android-tablet-2019> (Year: 2019).*
(Continued)

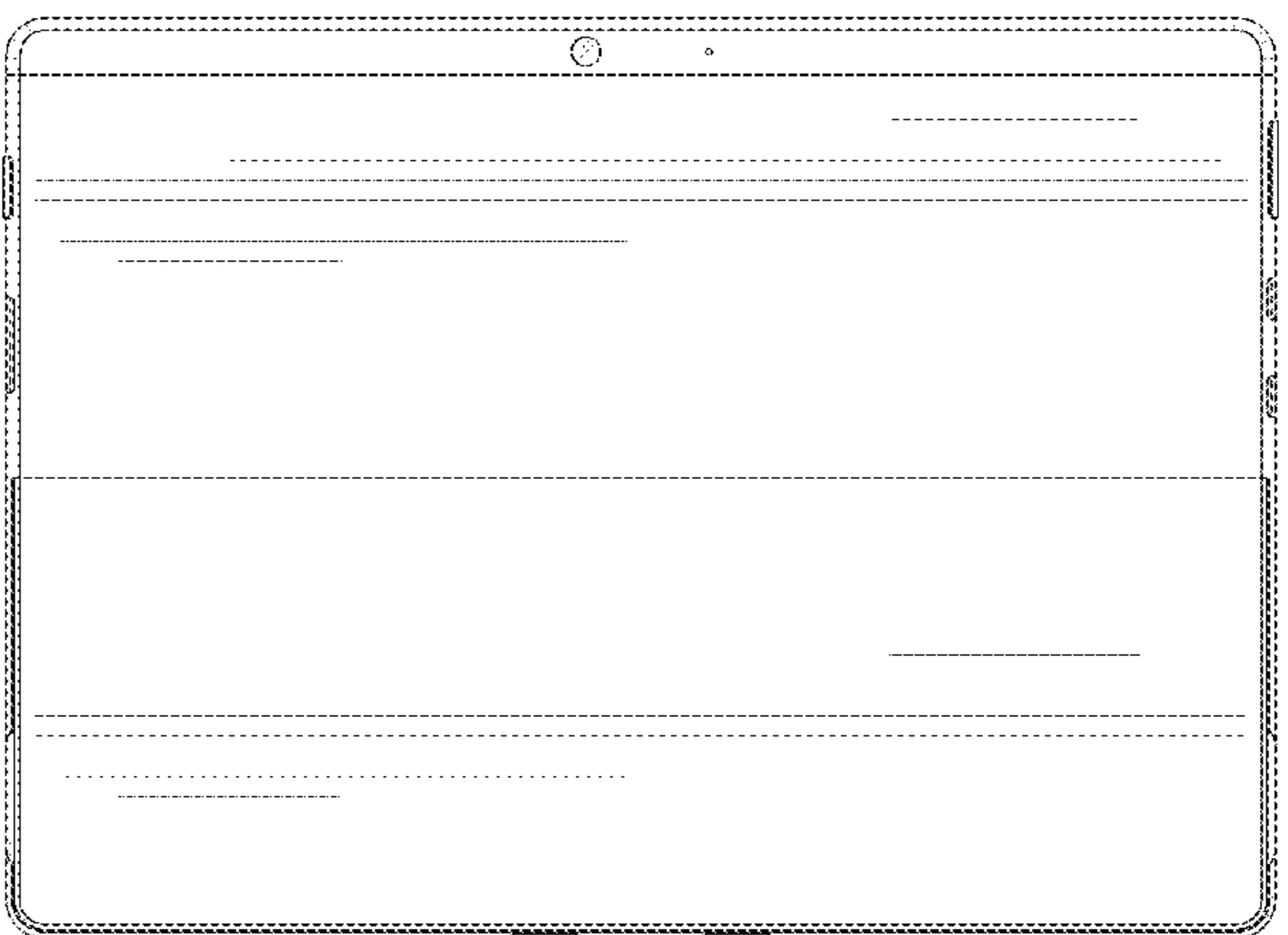
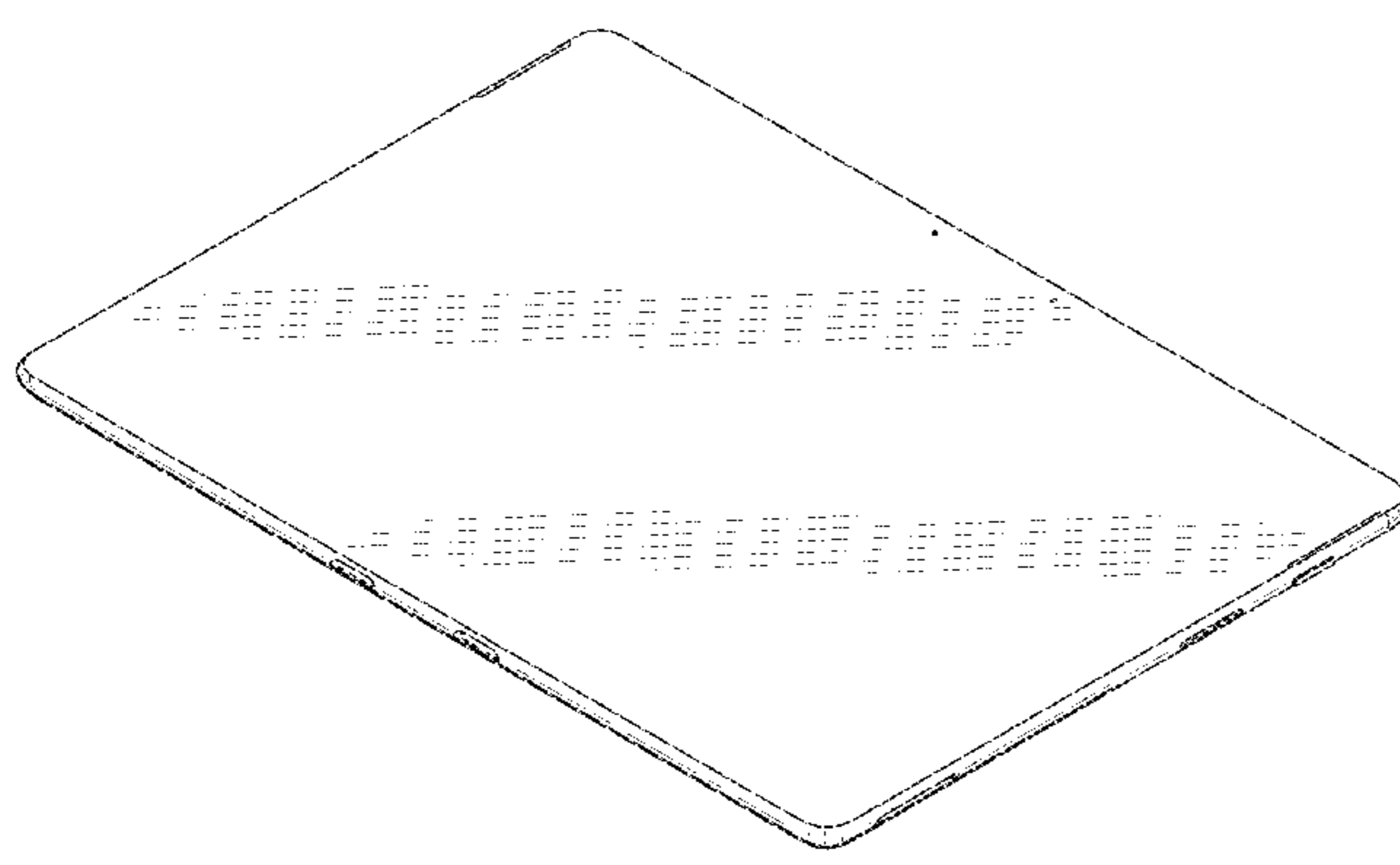
Primary Examiner — Kathleen L Jones
(74) *Attorney, Agent, or Firm* — Banner & Witcoff, Ltd.

(57) **CLAIM**
The ornamental design for a computing device, as shown and described.

DESCRIPTION

FIG. 1 is a perspective view of a computing device showing our new design;
FIG. 2 is a front view thereof;
FIG. 3 is a rear view thereof;
FIG. 4 is a left side view thereof;
FIG. 5 is a right side view thereof;
FIG. 6 is a top view thereof; and,
FIG. 7 is a bottom view thereof.
The broken lines depicting the remainder of the computing device in FIGS. 1, 3-5, and 7 show features that form no part of the claimed design.

1 Claim, 4 Drawing Sheets



(56)

References Cited

U.S. PATENT DOCUMENTS

D747,308 S *	1/2016	Myung	D14/341
D754,655 S *	4/2016	Groene	D14/341
D775,125 S *	12/2016	Yoshihara	D14/341
D781,848 S *	3/2017	Kim	D14/341
D782,469 S	3/2017	Raken et al.	
D782,470 S	3/2017	Raken et al.	
D782,473 S *	3/2017	Hong	D14/341
D789,356 S *	6/2017	Cebe	D14/315
D798,292 S	9/2017	Groene et al.	
D807,878 S *	1/2018	Kim	D14/345
D819,018 S *	5/2018	Tsai	D14/341
D824,898 S *	8/2018	Xu	D14/341
D826,930 S *	8/2018	Iida	D14/341
D845,947 S *	4/2019	Raken	D14/341
D872,077 S	1/2020	Raken et al.	
D873,817 S	1/2020	Raken et al.	
D878,376 S *	3/2020	Claudepierre	D14/440
D888,709 S *	6/2020	Kang	D14/327
D906,329 S *	12/2020	Wu	D14/126
D914,677 S *	3/2021	Gerardi	D14/341
D922,972 S *	6/2021	Park	D14/126
D922,996 S *	6/2021	Chen	D14/315
D934,826 S *	11/2021	Wang	D14/126
D935,452 S *	11/2021	Xu	D14/341
D947,838 S *	4/2022	Akana	D14/341
D949,844 S *	4/2022	Kao	D14/315

D950,550 S *	5/2022	Xu	D14/345
2005/0052831 A1 *	3/2005	Chen	G06F 1/1683 361/679.11
2021/0303092 A1 *	9/2021	Delaporte	G06F 1/1618

FOREIGN PATENT DOCUMENTS

JP	1475167 S	7/2013
JP	1475168 S	7/2013
JP	1663055 S	7/2020
KR	300694204 S	5/2013

OTHER PUBLICATIONS

Van Camp, Jeffrey, Review: Microsoft Surface Pro (2017), posted at Wired, posting date Nov. 6, 2017. Site visited Jun. 1, 2022. URL: <<https://www.wired.com/2017/11/review-microsoft-surface-pro-2017/>> (Year: 2017).*

Gibbs, Samuel, Surface Pro 8 review: Microsoft's best Windows tablet gets big upgrade, posted at The Guardian, posting date Dec. 17, 2021. Site visited Jun. 1, 2022. URL: <<https://www.theguardian.com/technology/2021/dec/17/surface-pro-8-review-microsofts-best-windows-tablet-gets-big-upgrade>> (Year: 2021).*

"Notice of Allowance Issued in Japanese Patent Application No. 2020-006795", dated Dec. 8, 2020, 6 Pages.

* cited by examiner

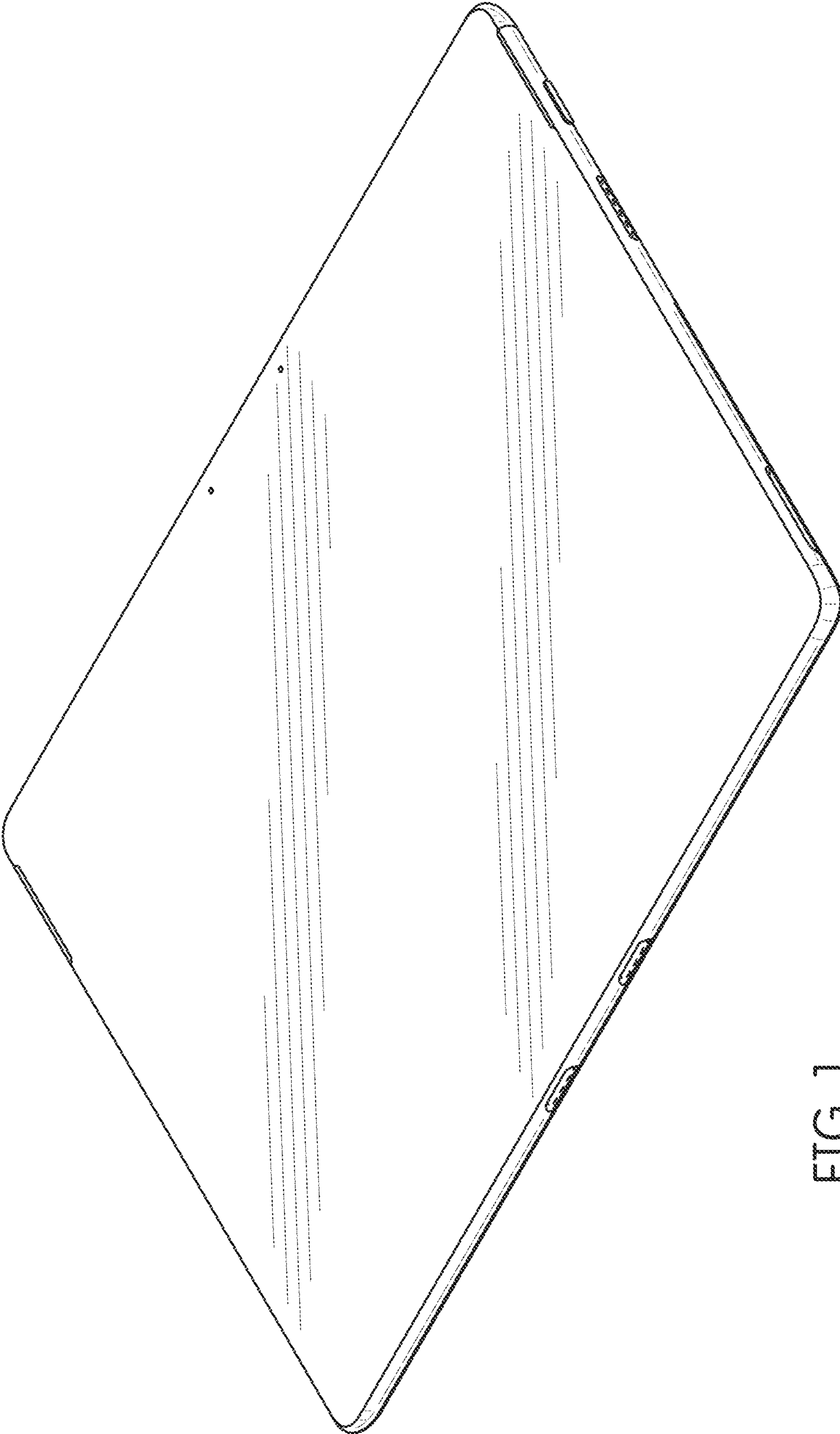


FIG. 1

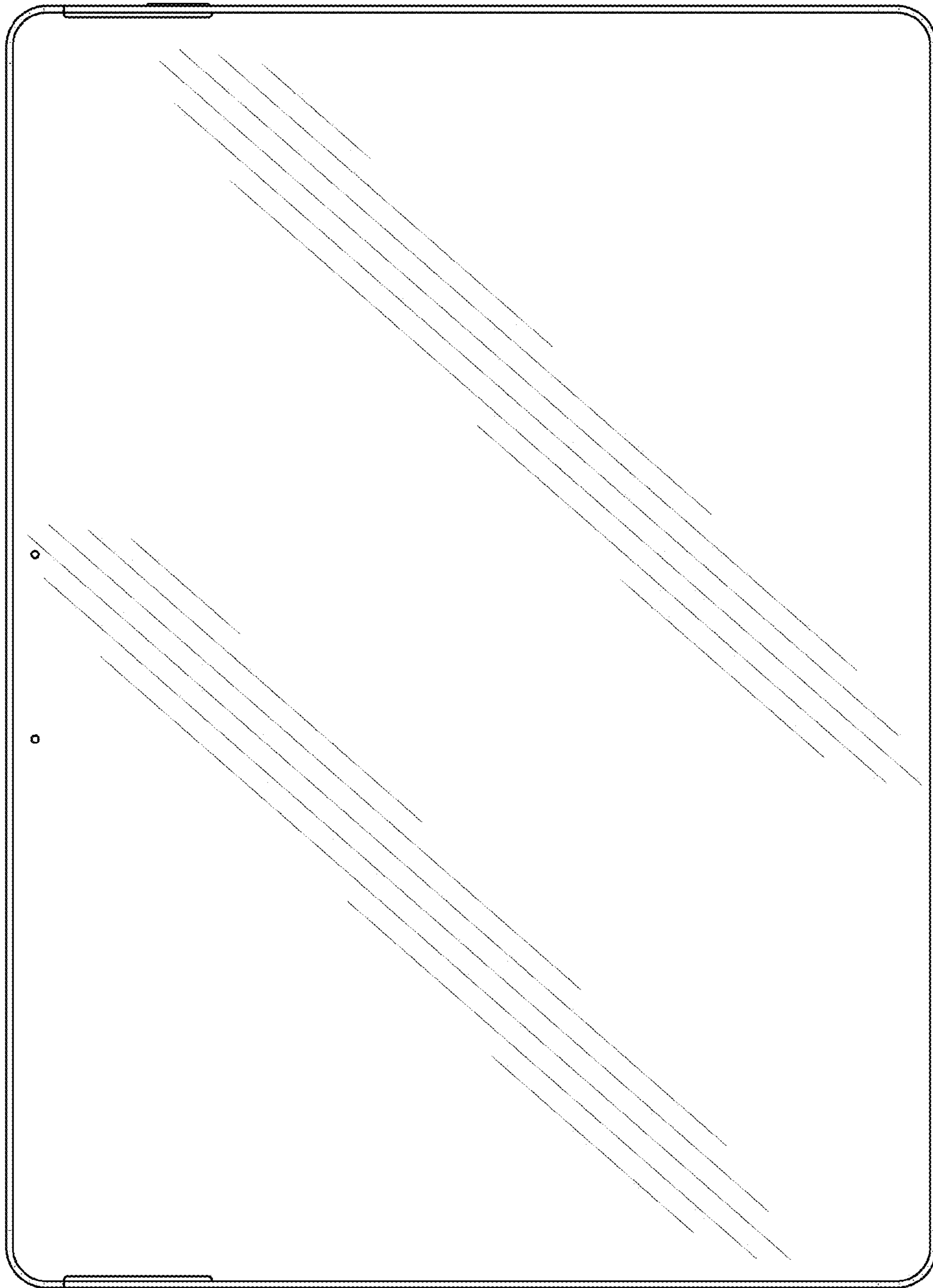


FIG. 2

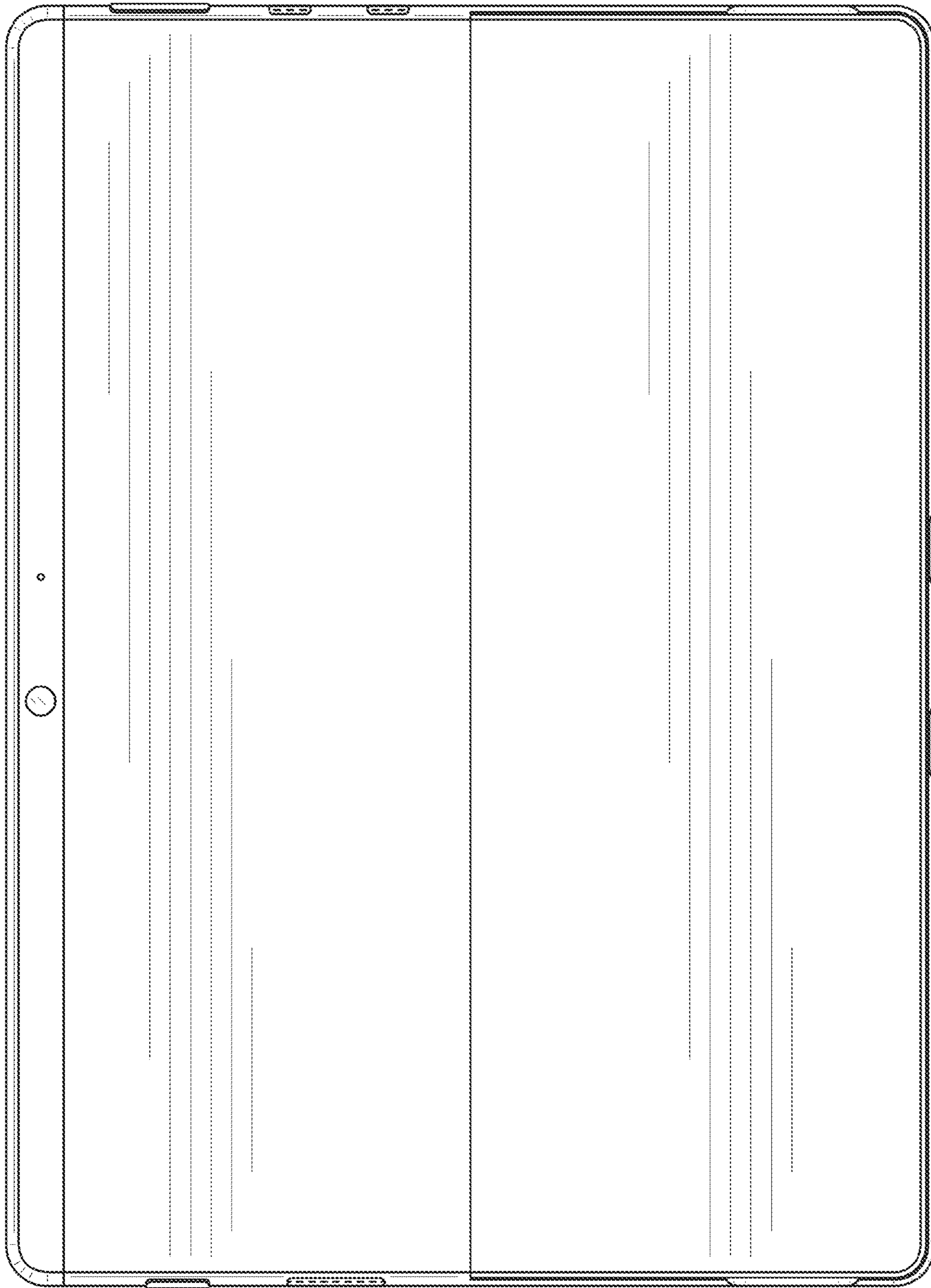


FIG. 3

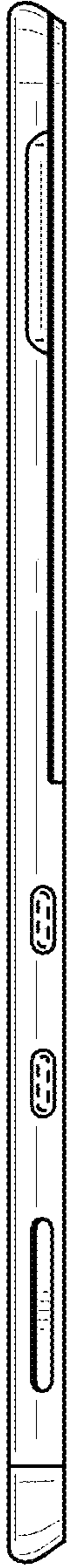


FIG. 4

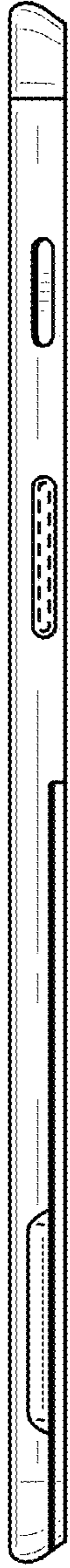


FIG. 5

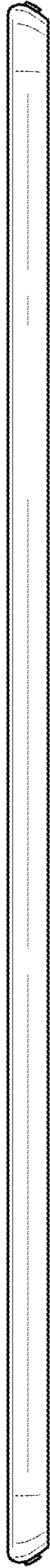


FIG. 6

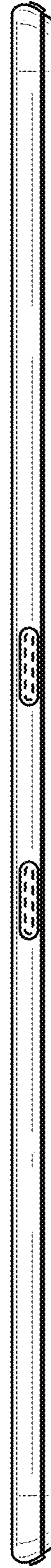


FIG. 7