

US00D966256S

(12) **United States Design Patent**
Wang

(10) **Patent No.:** **US D966,256 S**
(45) **Date of Patent:** **** Oct. 11, 2022**

- (54) **MAGNETIC PHONE HOLDER**
- (71) Applicant: **Shenzhen Yuwei Technology Co., Ltd,**
Shenzhen (CN)
- (72) Inventor: **Rui Wang,** Shenzhen (CN)
- (**) Term: **15 Years**
- (21) Appl. No.: **29/803,039**
- (22) Filed: **Aug. 10, 2021**
- (51) **LOC (13) Cl.** **14-03**
- (52) **U.S. Cl.**
USPC **D14/253**
- (58) **Field of Classification Search**
USPC D14/250–253, 440, 447; D12/415;
D3/218
CPC H04M 1/04; B60R 11/0241; A45F
2200/0516; A45F 2200/0525
See application file for complete search history.

D862,453 S *	10/2019	Liang	D14/253
D865,751 S *	11/2019	Richter	D12/415
D878,352 S *	3/2020	Yang	D14/253
D879,087 S *	3/2020	Webb	D14/253
D938,410 S *	12/2021	Wang	D14/447
D944,787 S *	3/2022	Zheng	D14/253
D944,788 S *	3/2022	Huang	D14/253

* cited by examiner

Primary Examiner — Janice Hallmark

(57) **CLAIM**

The ornamental design for a magnetic phone holder, as shown and described.

DESCRIPTION

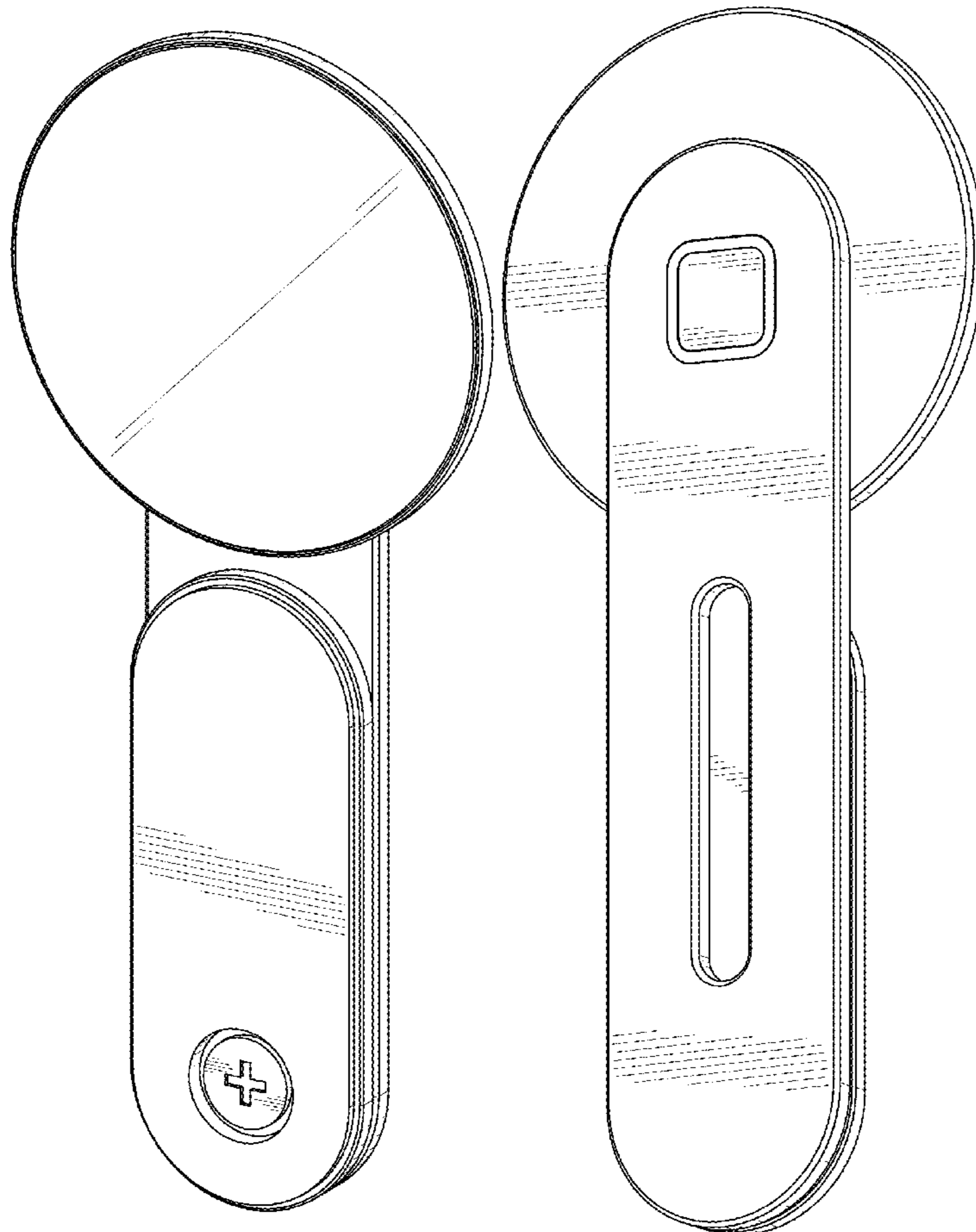
FIG. 1 is a top, front and right perspective view of a magnetic phone holder showing my new design;
 FIG. 2 is a left, rear and bottom perspective view thereof;
 FIG. 3 is a perspective view of the magnetic phone holder of FIG. 1, shown in condition of use;
 FIG. 4 is a front view thereof;
 FIG. 5 is a rear view thereof;
 FIG. 6 is a left side view thereof;
 FIG. 7 is a right side view thereof;
 FIG. 8 is a top plan view thereof; and,
 FIG. 9 is a bottom plan view thereof.

1 Claim, 9 Drawing Sheets

(56) **References Cited**

U.S. PATENT DOCUMENTS

D692,899 S *	11/2013	Bremenkamp	D14/447
8,706,175 B2 *	4/2014	Cho	F16M 11/12 455/575.8



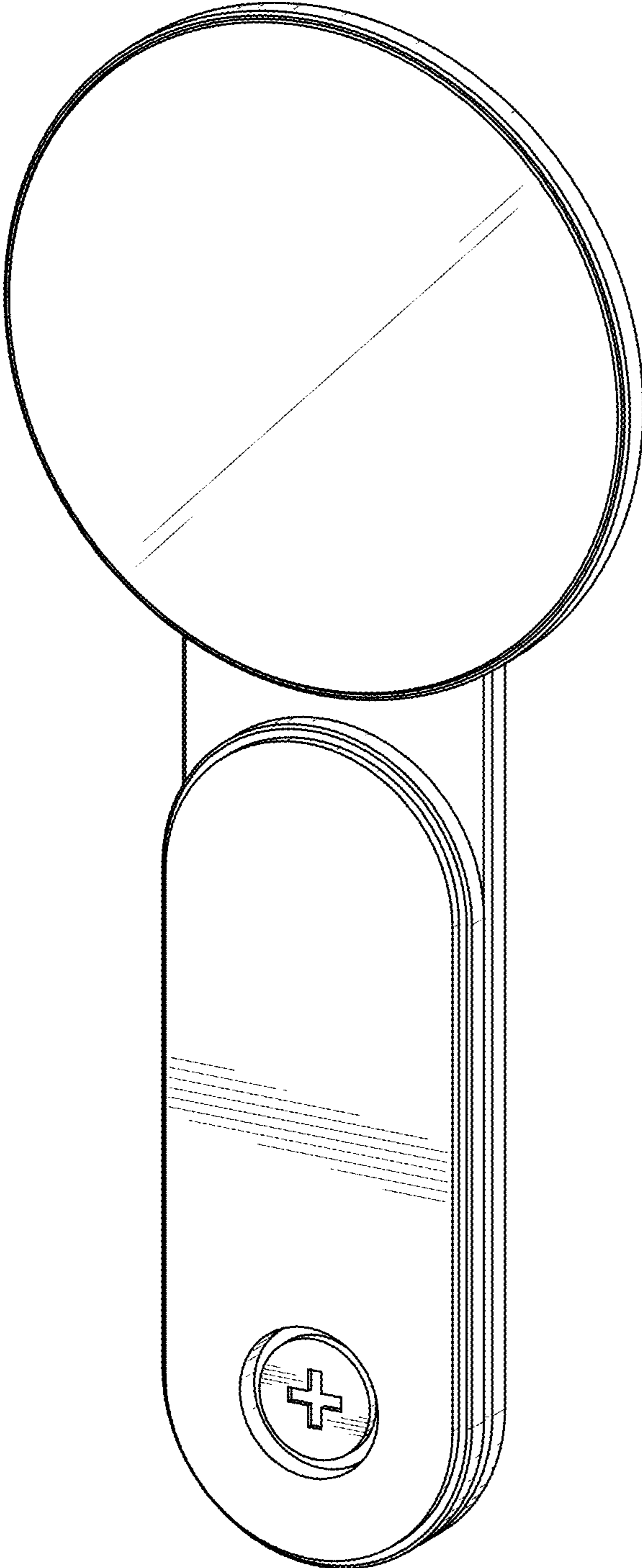


FIG. 1

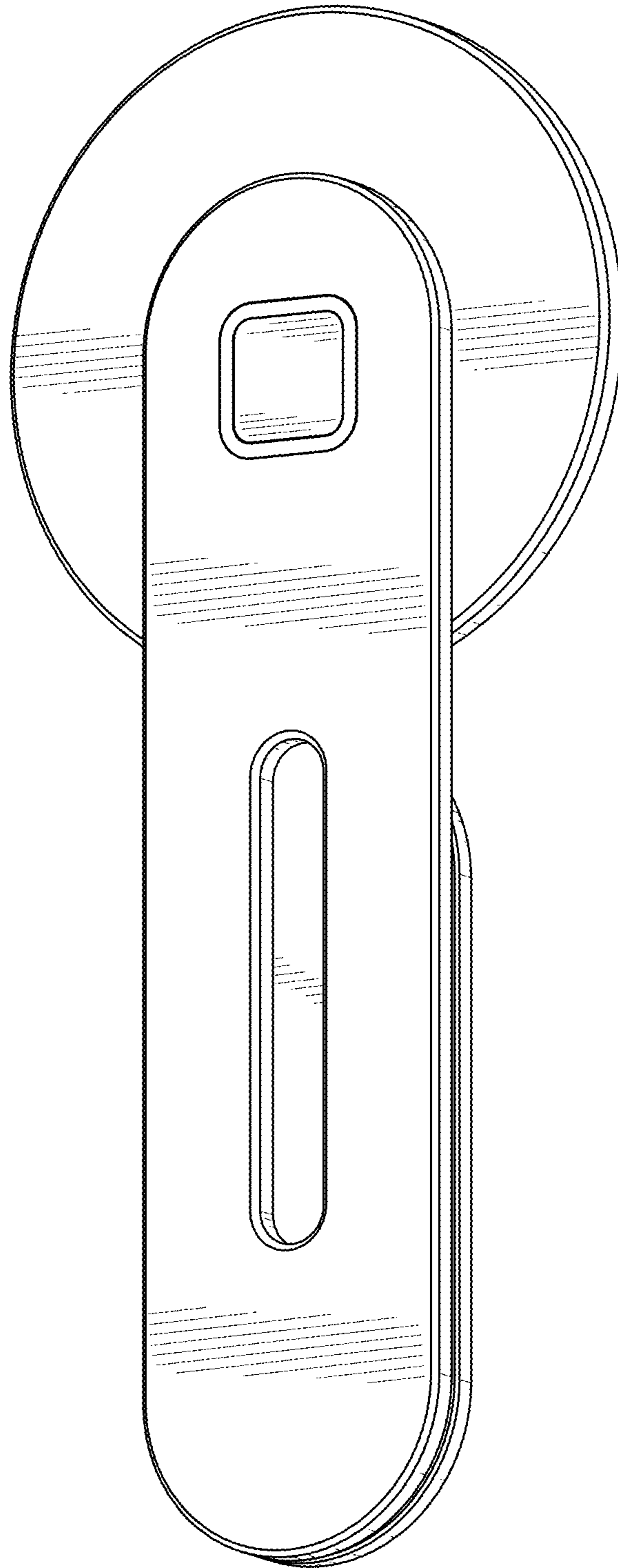


FIG. 2

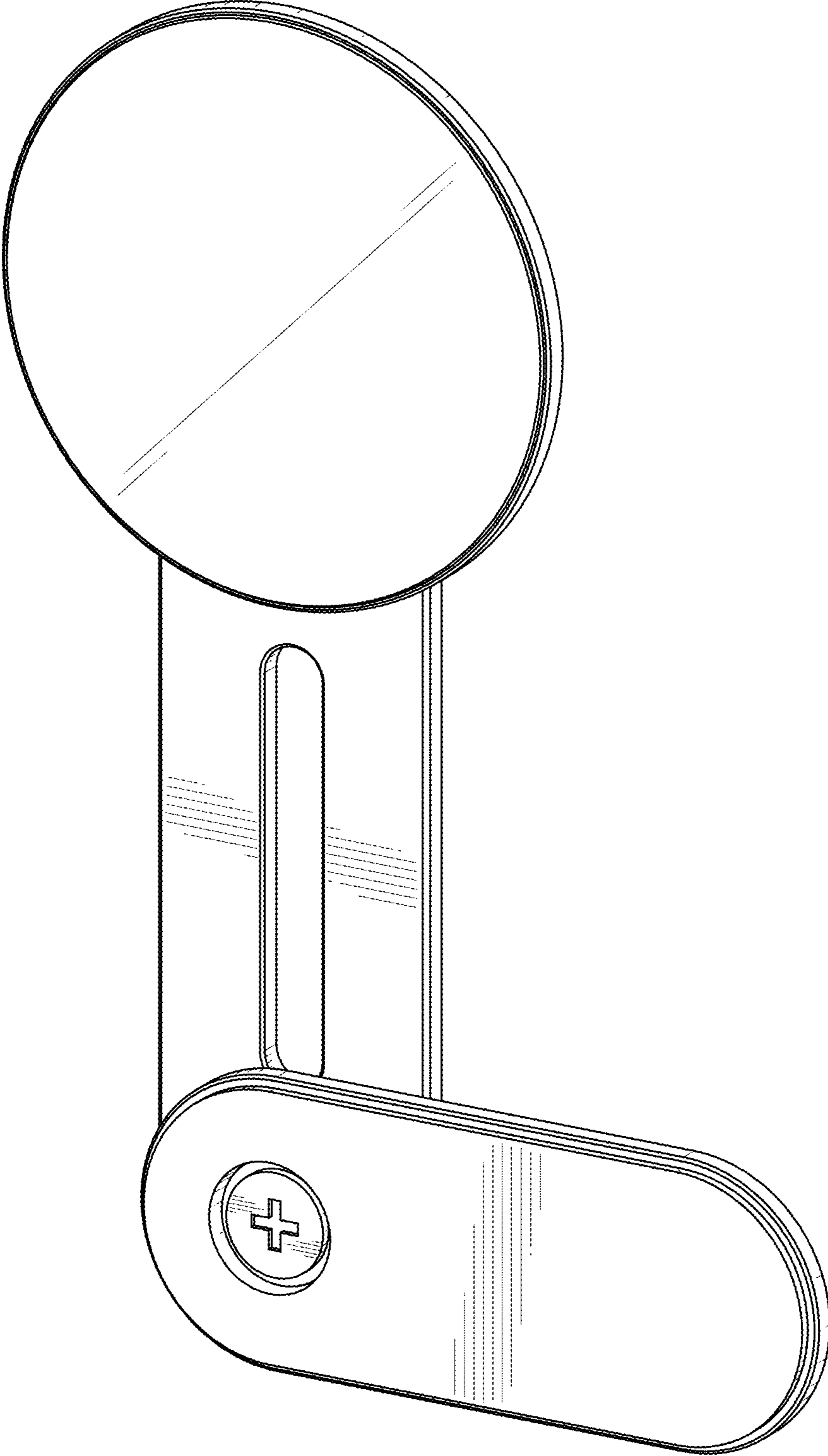


FIG. 3

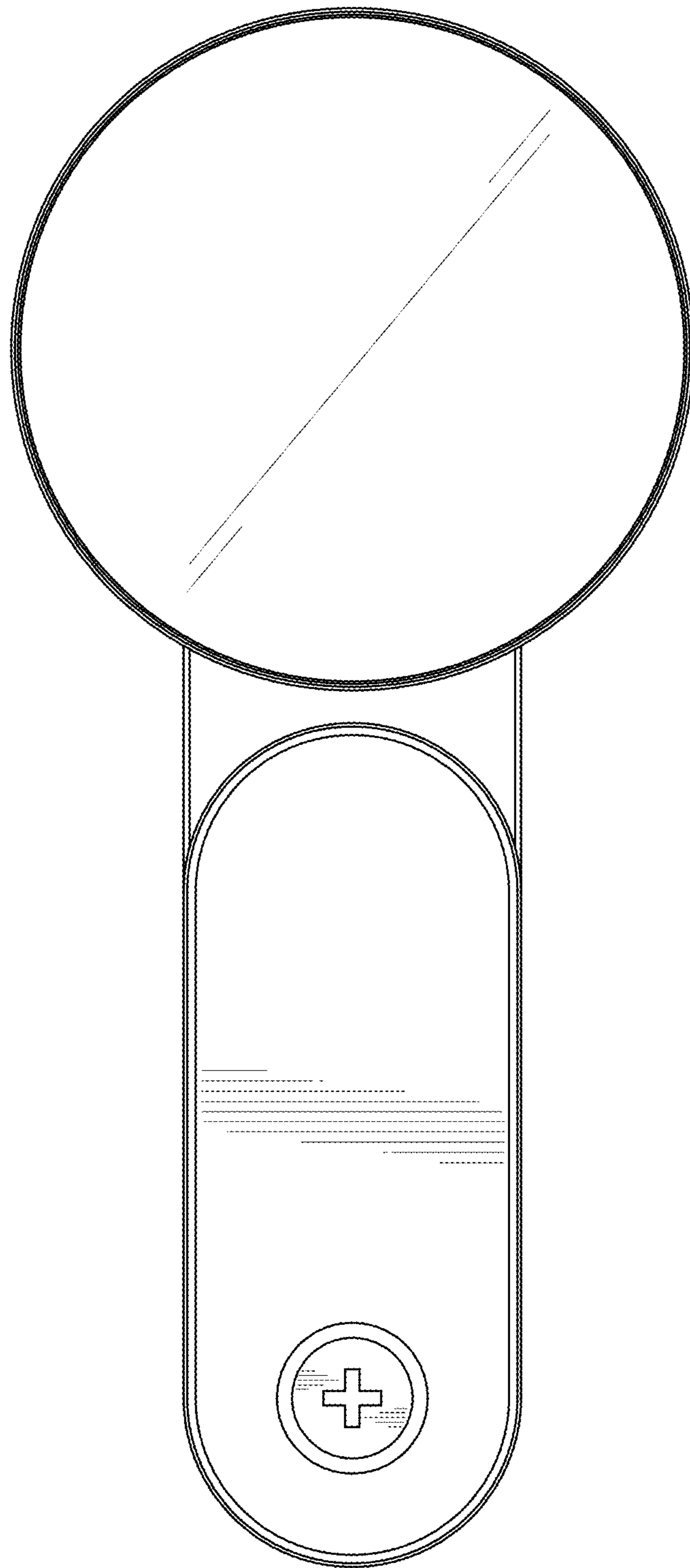


FIG. 4

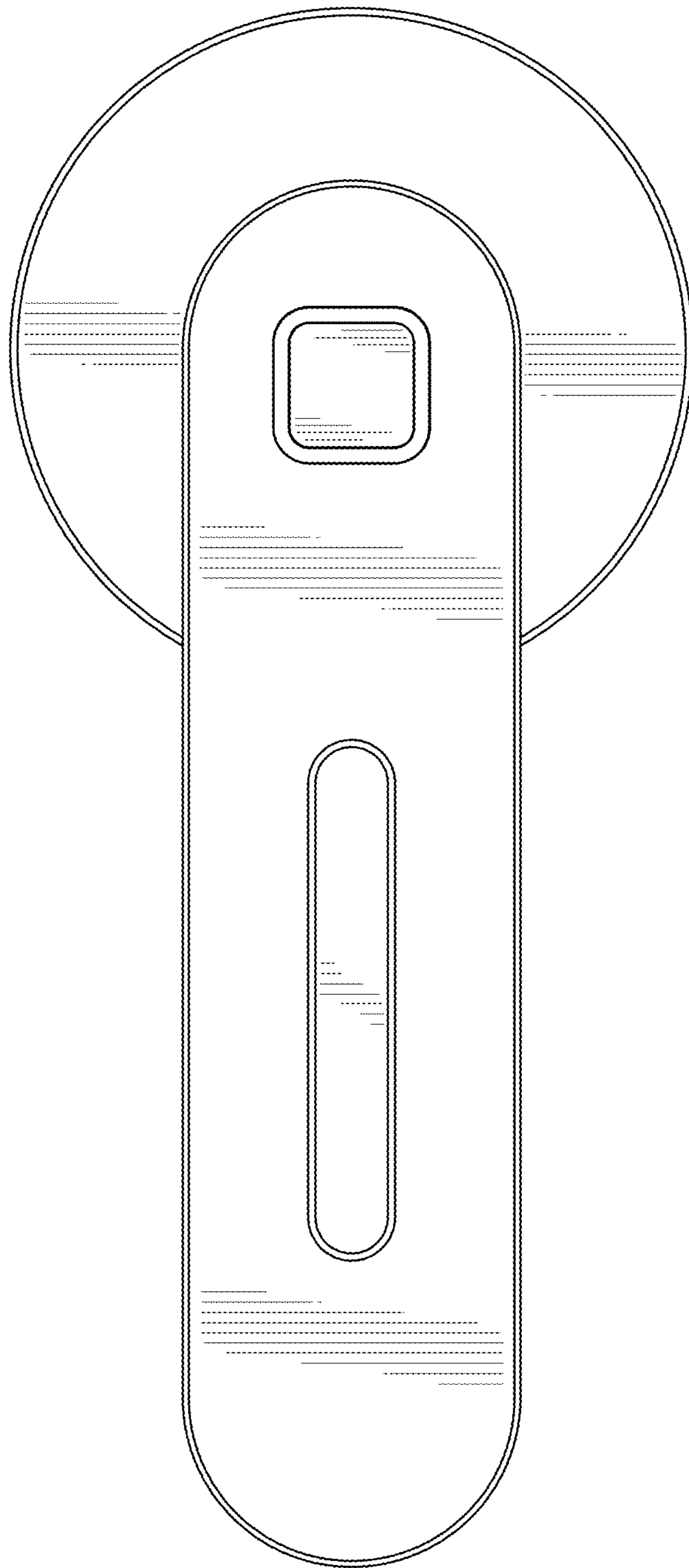


FIG. 5

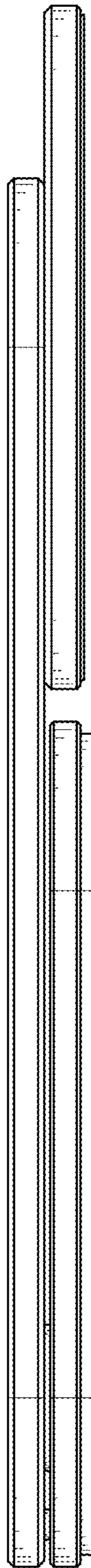


FIG. 6

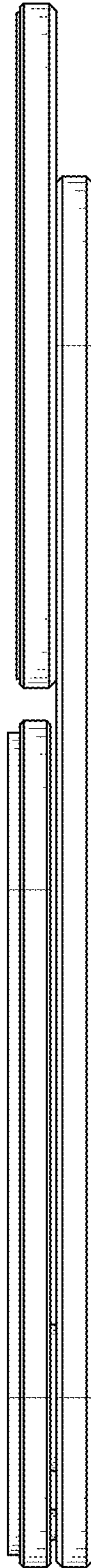


FIG. 7

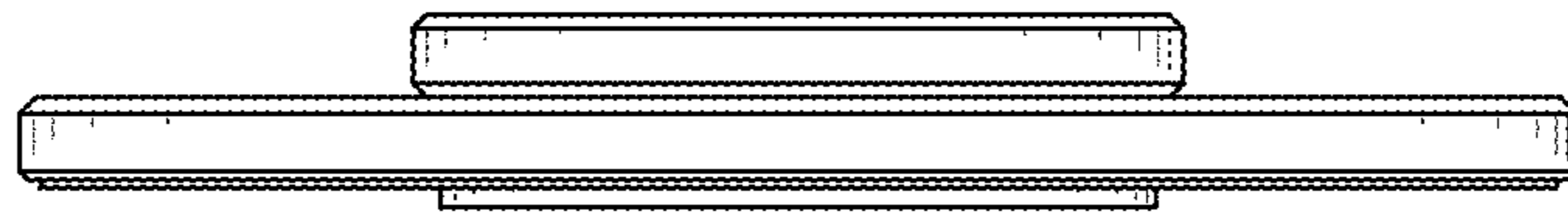


FIG. 8



FIG. 9