

US00D966255S

(12) **United States Design Patent**
Zhong

(10) **Patent No.:** **US D966,255 S**
(45) **Date of Patent:** **** Oct. 11, 2022**

(54) **MAGNET CELL PHONE RING STAND**

(71) Applicant: **Daopeng Zhong**, Shenzhen (CN)

(72) Inventor: **Daopeng Zhong**, Shenzhen (CN)

(73) Assignee: **Shenzhen Weiligu Technology Co., Ltd**, Shenzhen (CN)

(**) Term: **15 Years**

(21) Appl. No.: **29/771,230**

(22) Filed: **Feb. 21, 2021**

(30) **Foreign Application Priority Data**

Dec. 30, 2020 (CN) 202030816523.X

(51) **LOC (13) Cl.** **14-03**

(52) **U.S. Cl.**
USPC **D14/253; D3/218**

(58) **Field of Classification Search**
USPC D14/251–253, 447, 217, 250; D3/218;
D12/415; D13/108
CPC A45C 2011/002; A45F 2200/0516; H04B
2001/3861; H04M 1/04
See application file for complete search history.

(56) **References Cited**

U.S. PATENT DOCUMENTS

D660,305 S *	5/2012	Ho	D14/447
8,936,222 B1 *	1/2015	Bastian	A45F 5/00 224/183
8,950,715 B2 *	2/2015	Chiu	F16M 13/022 248/205.8
D768,635 S *	10/2016	Due	D14/432
D850,455 S *	6/2019	Cheng	D14/440
D855,048 S *	7/2019	Kim	D14/253
D855,049 S *	7/2019	Kim	D14/253
D866,546 S *	11/2019	Stillwell	D14/251
10,581,480 B1 *	3/2020	Kim	A45F 5/00

D885,376 S *	5/2020	He	D3/218
D887,132 S *	6/2020	Puglisi	D3/249
D888,066 S *	6/2020	Wang	D14/451
D902,194 S *	11/2020	Gluck	D3/249
D904,386 S *	12/2020	Luo	D3/218
D906,328 S *	12/2020	Kim	D14/253
D931,847 S *	9/2021	Min	D14/253
D933,057 S *	10/2021	Kim	D14/251
11,265,035 B1 *	3/2022	Zhang	F16B 1/00
D954,039 S *	6/2022	Liu	D14/253
2016/0353867 A1 *	12/2016	Due	A45F 5/10
2017/0135234 A1 *	5/2017	Kim	F16M 13/04
2018/0220782 A1 *	8/2018	Mody	A45F 5/00
2019/0208046 A1 *	7/2019	Gluck	F16M 11/041
2019/0230205 A1 *	7/2019	Lee	H04B 1/3888
2022/0117384 A1 *	4/2022	Whitten	F16M 13/005

OTHER PUBLICATIONS

OUTXE Phone Ring Holder, Amazon.com, Aug. 2, 2021. <<https://a.co/d/6edUH17>> (Year: 2021).*

* cited by examiner

Primary Examiner — Janice Hallmark

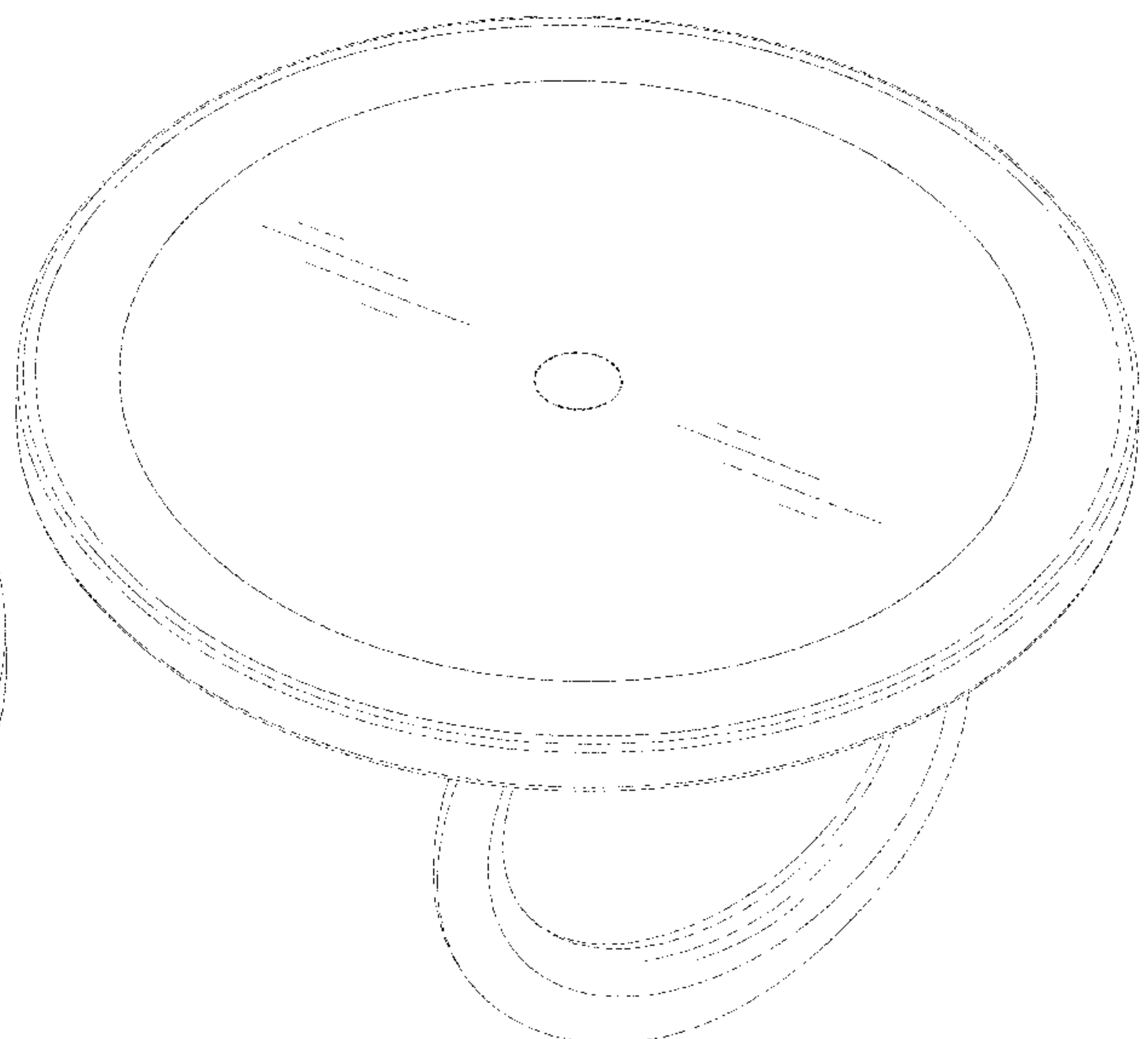
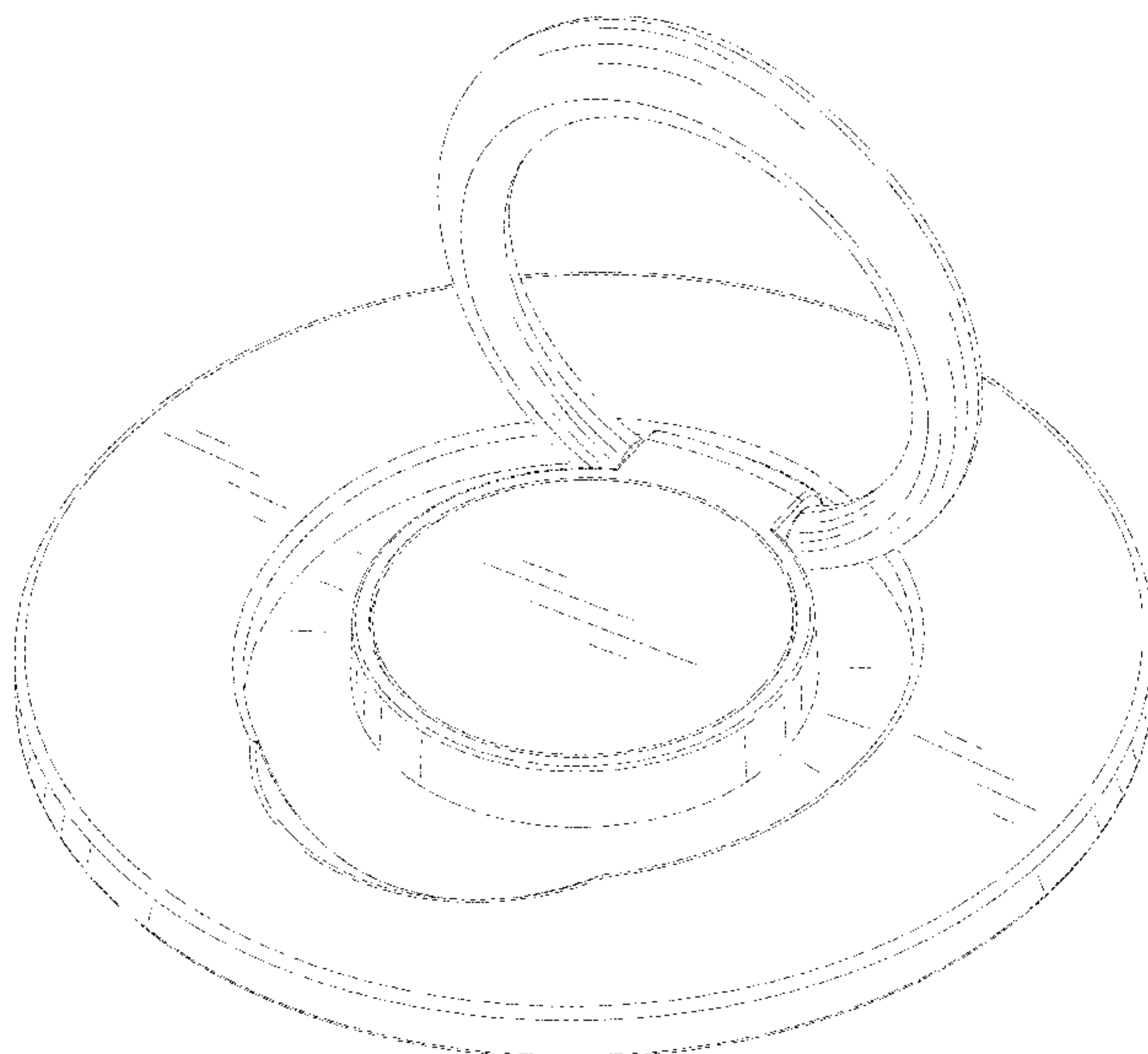
(57) **CLAIM**

The ornamental design for a magnet cell phone ring stand, as shown and described.

DESCRIPTION

FIG. 1 is a front perspective view of a magnet cell phone ring stand showing my new design; FIG. 2 is a rear perspective view thereof; FIG. 3 is a front elevation view thereof; FIG. 4 is a rear elevation view thereof; FIG. 5 is a left side elevation view thereof; FIG. 6 is a right side elevation view thereof; FIG. 7 is a top plan view thereof; and, FIG. 8 is a bottom plan view thereof.

1 Claim, 8 Drawing Sheets



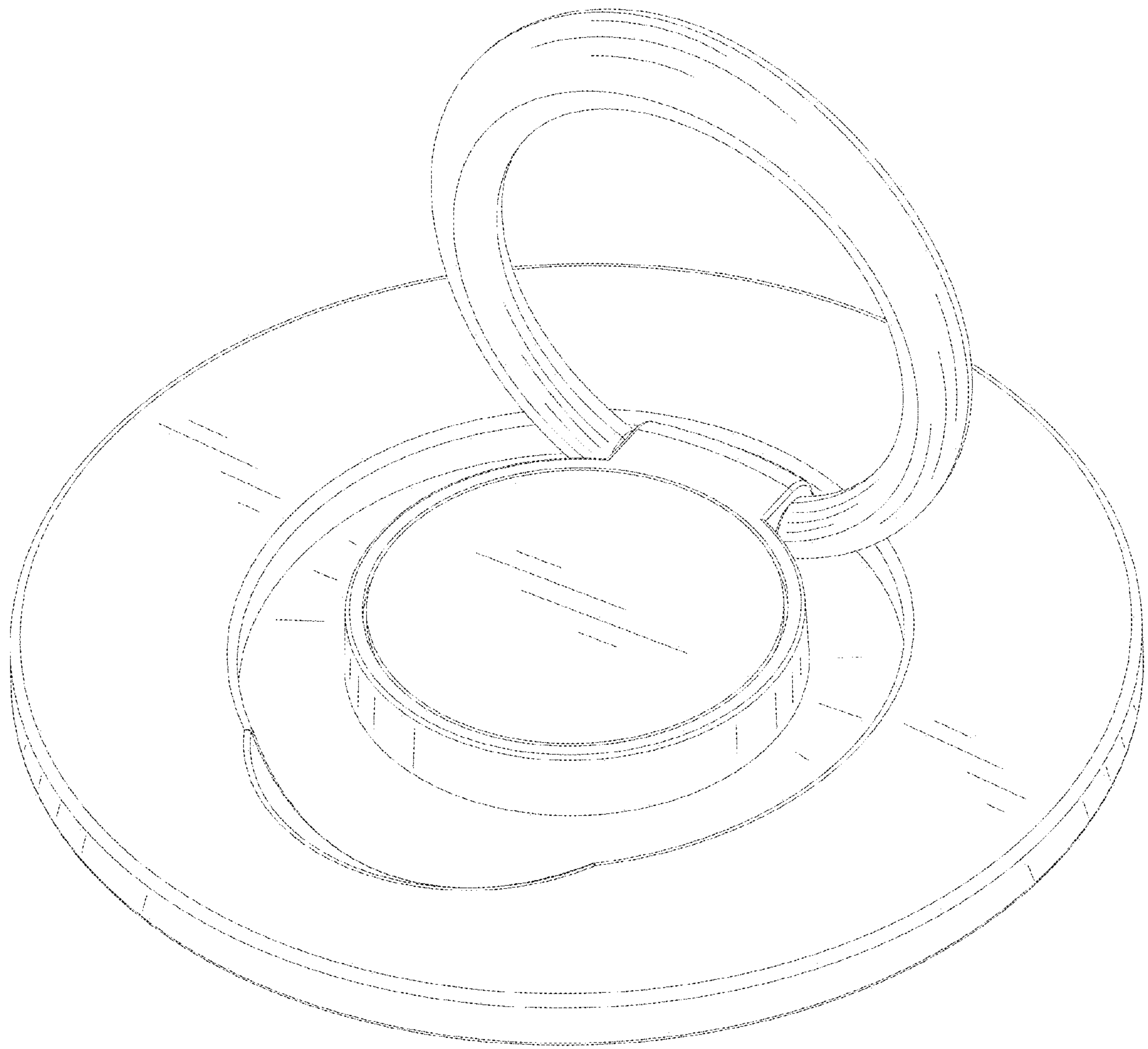


FIG. 1

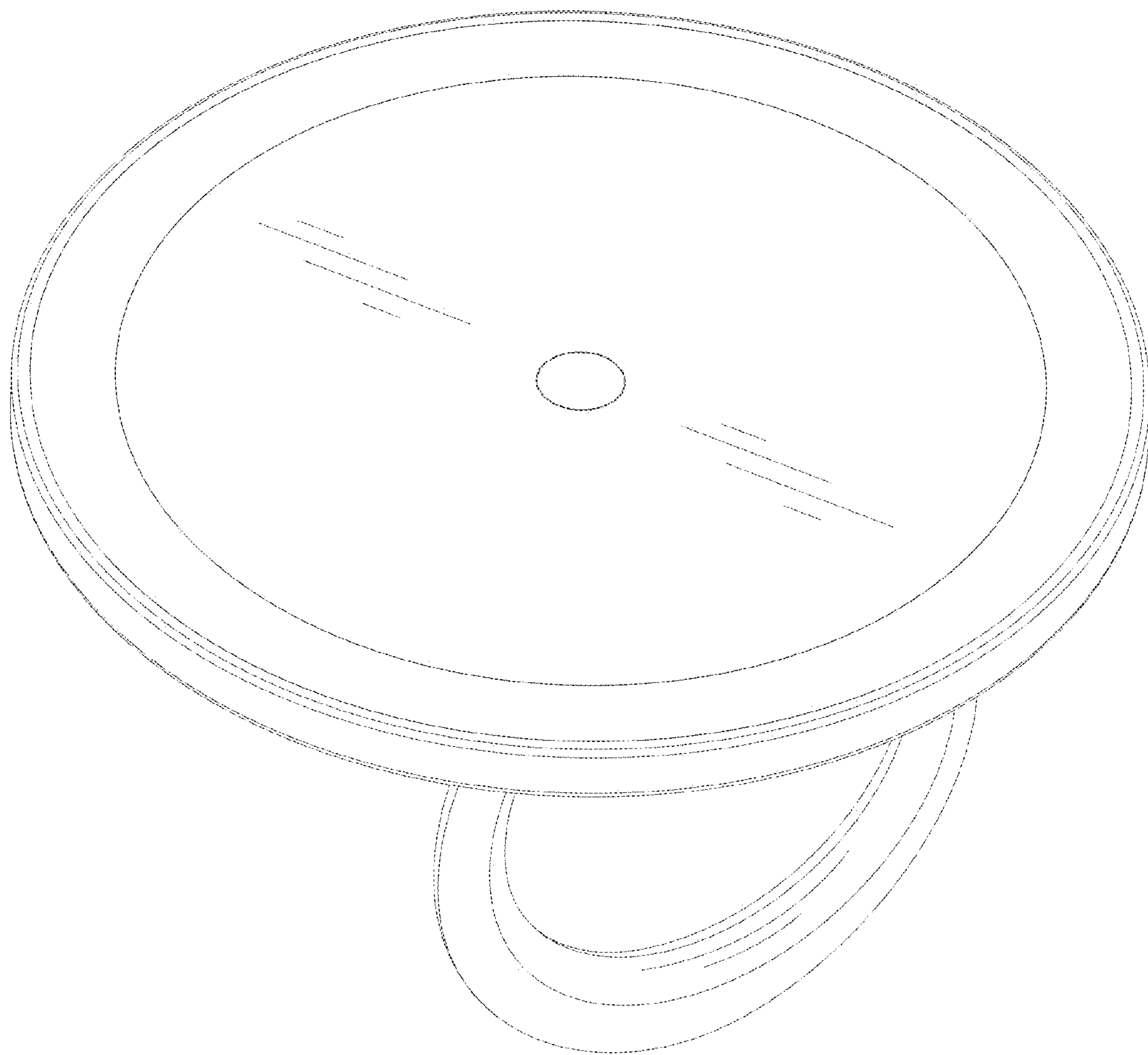


FIG. 2

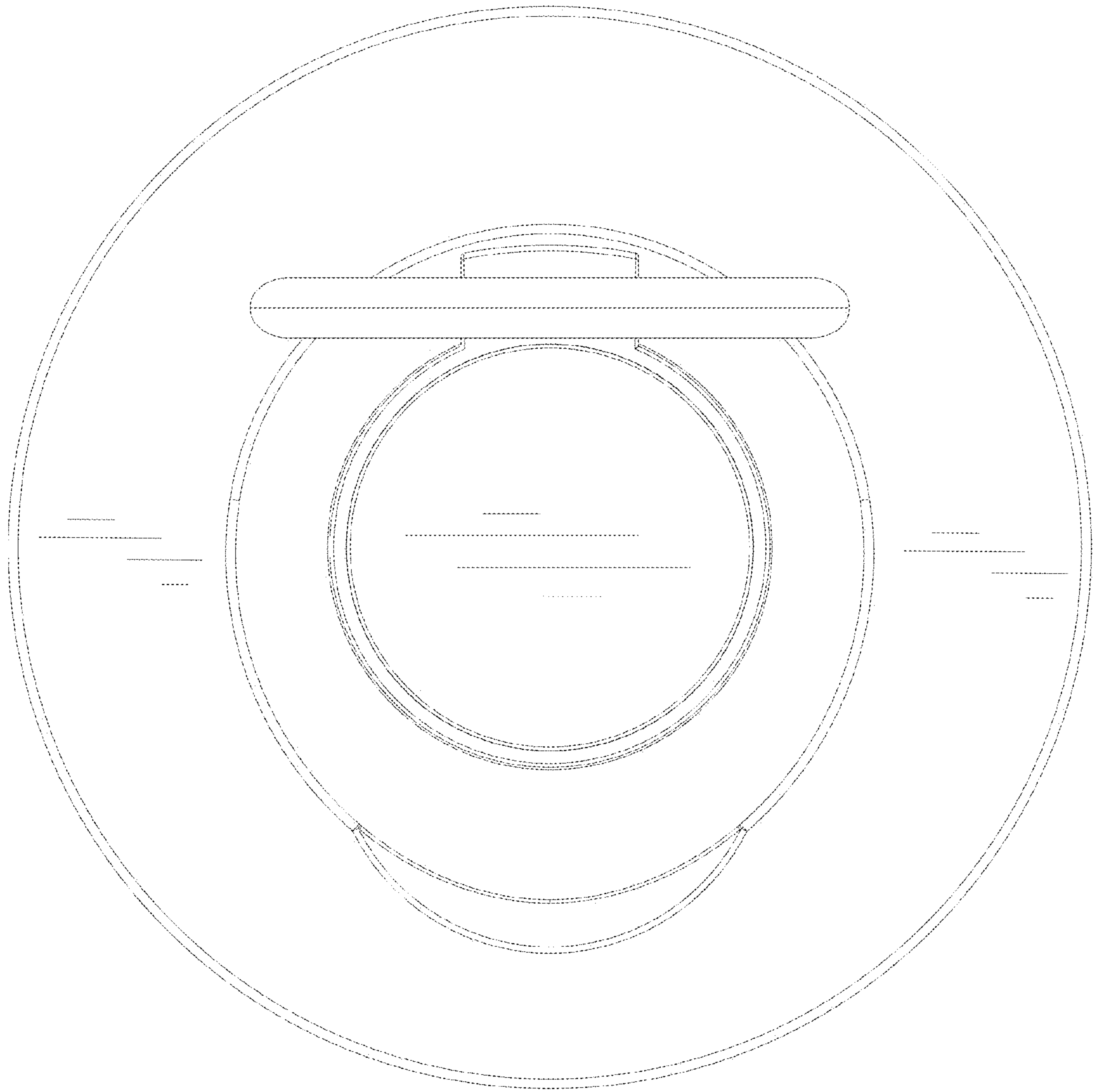


FIG. 3

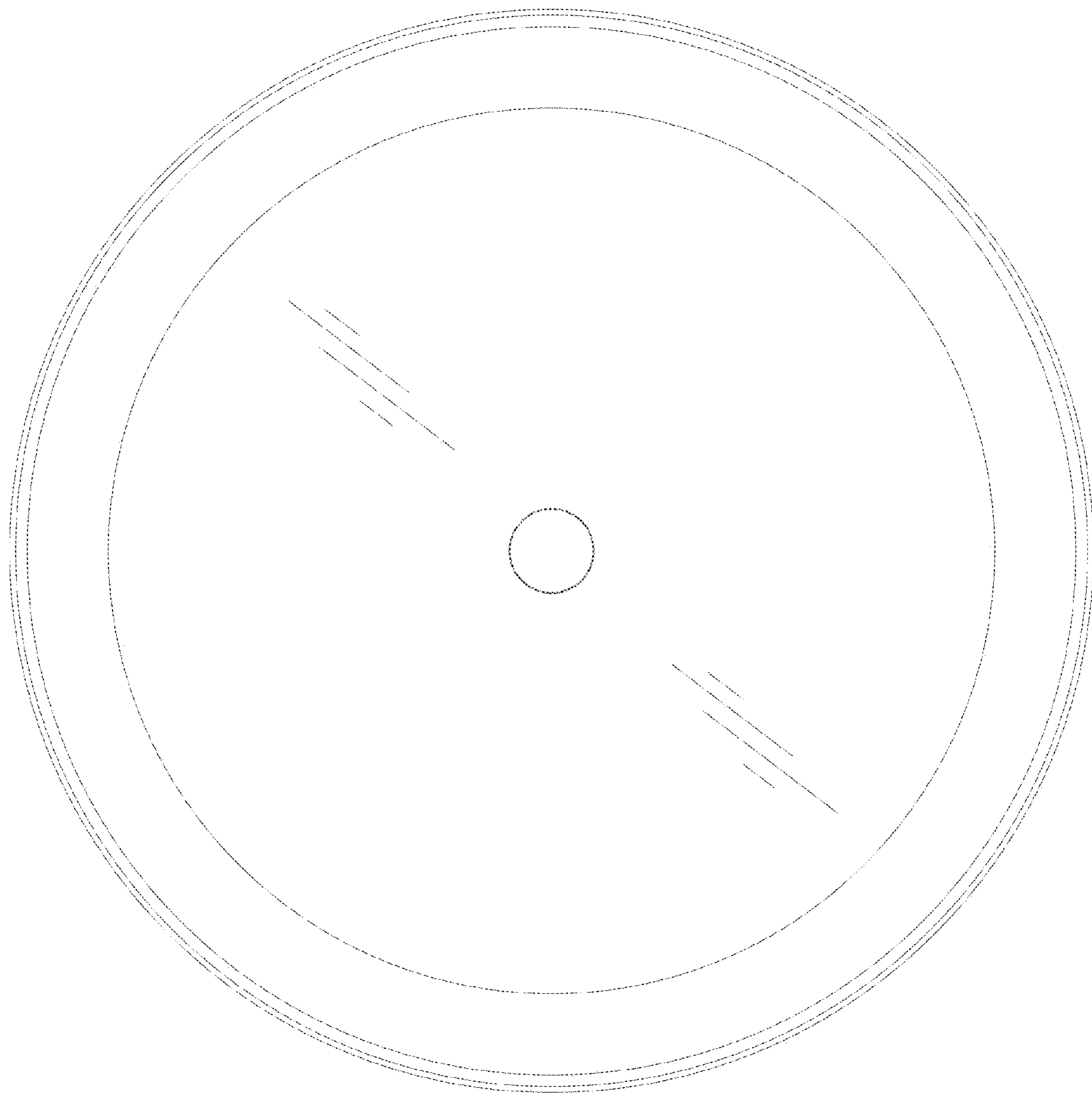


FIG. 4

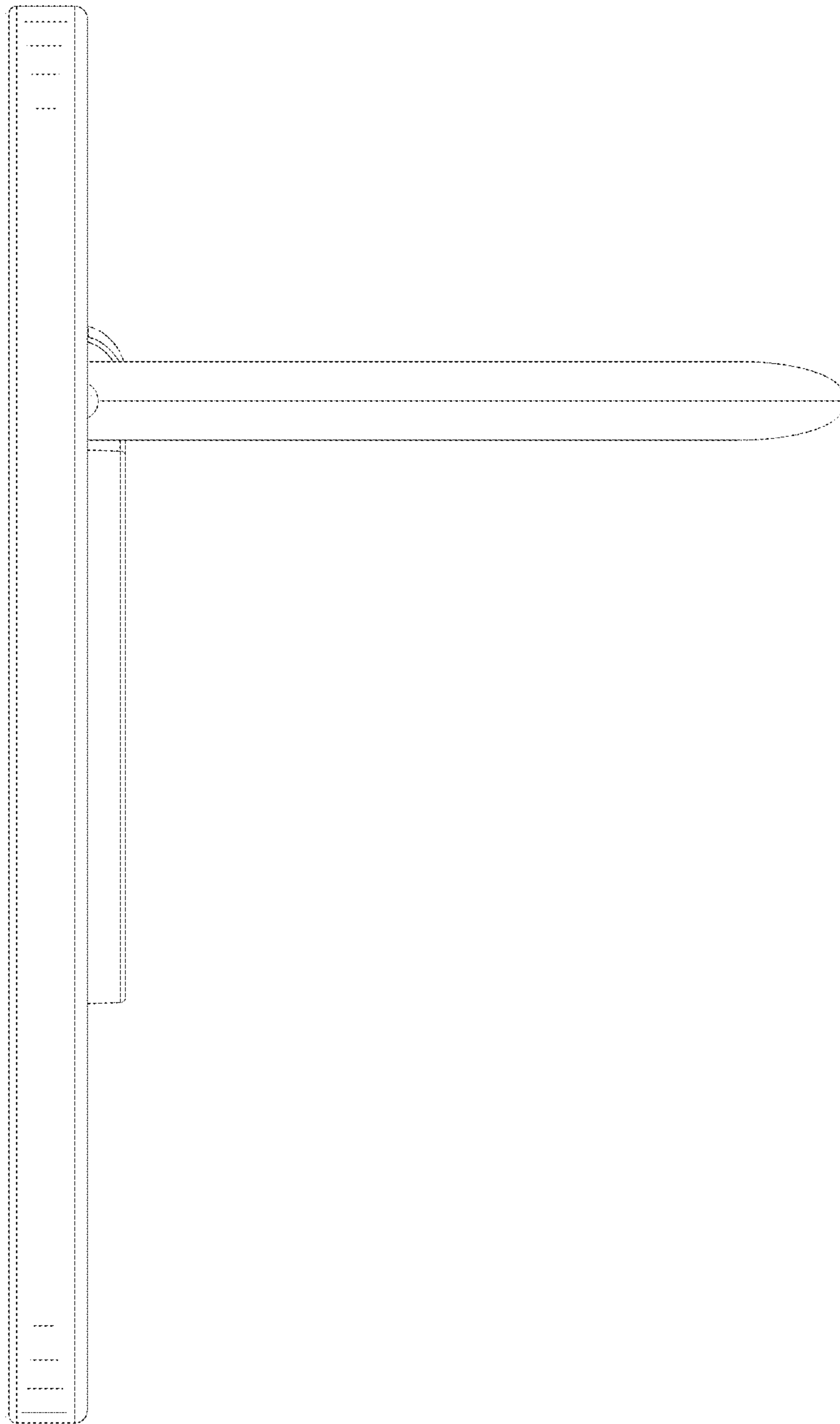


FIG. 5

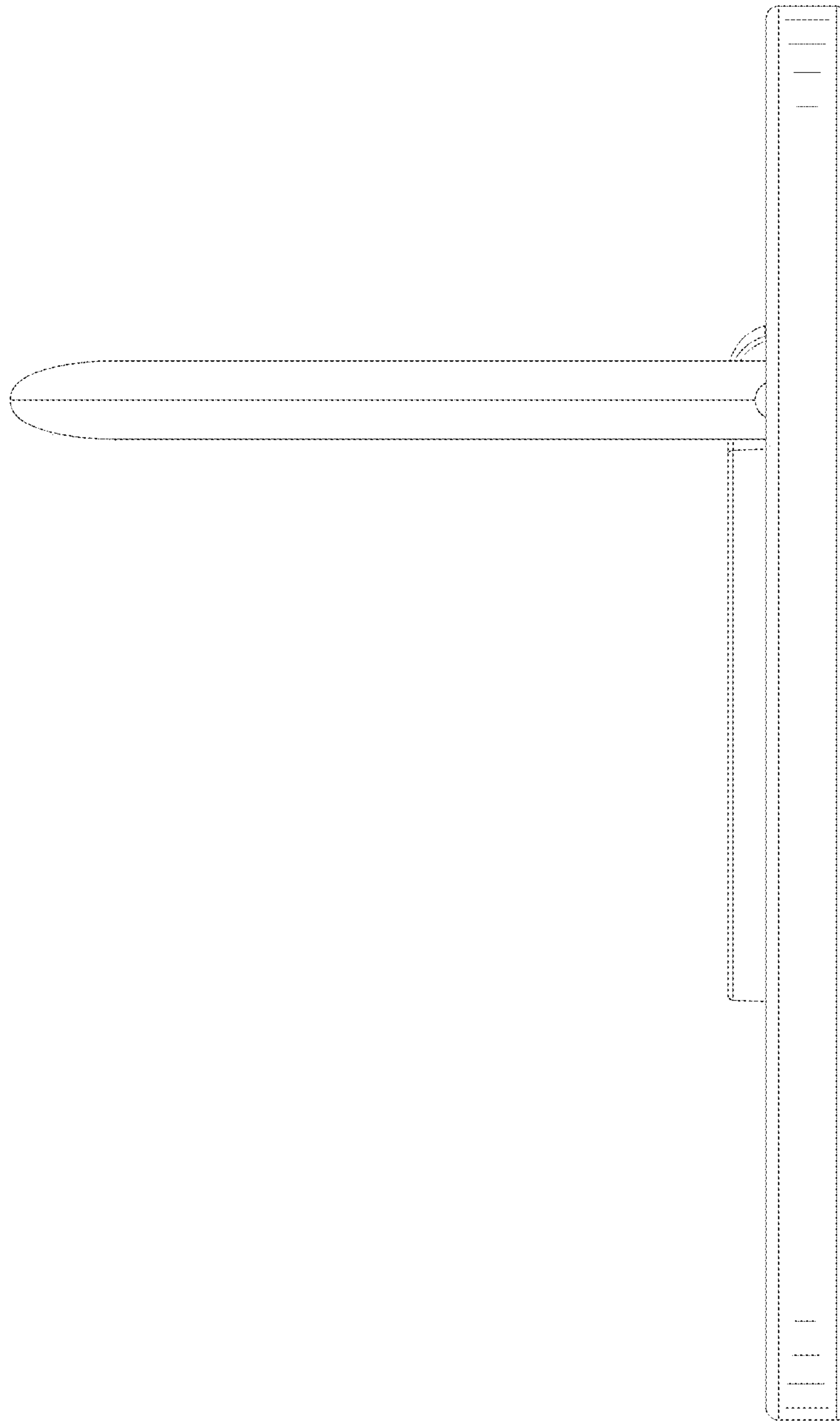


FIG. 6

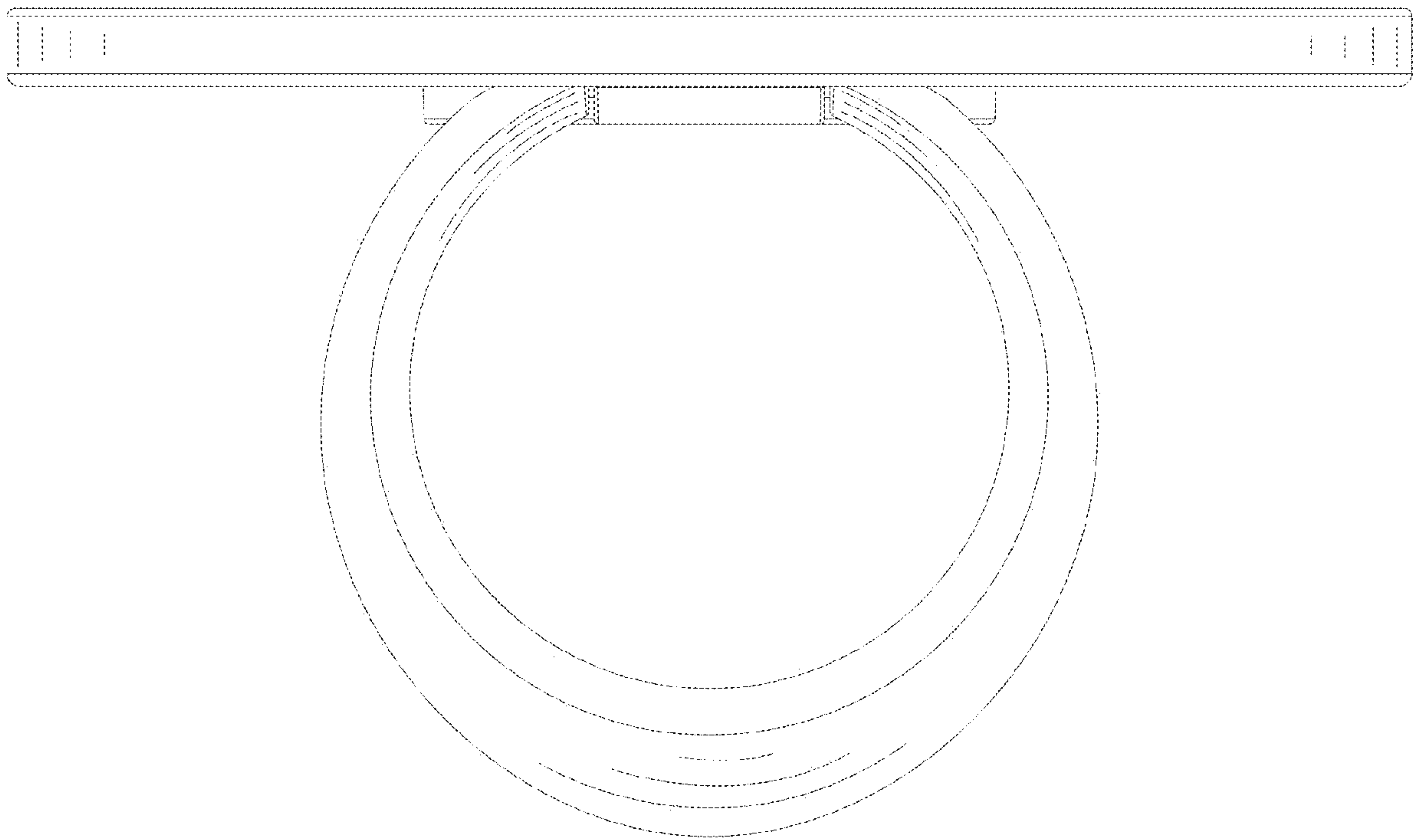


FIG. 7

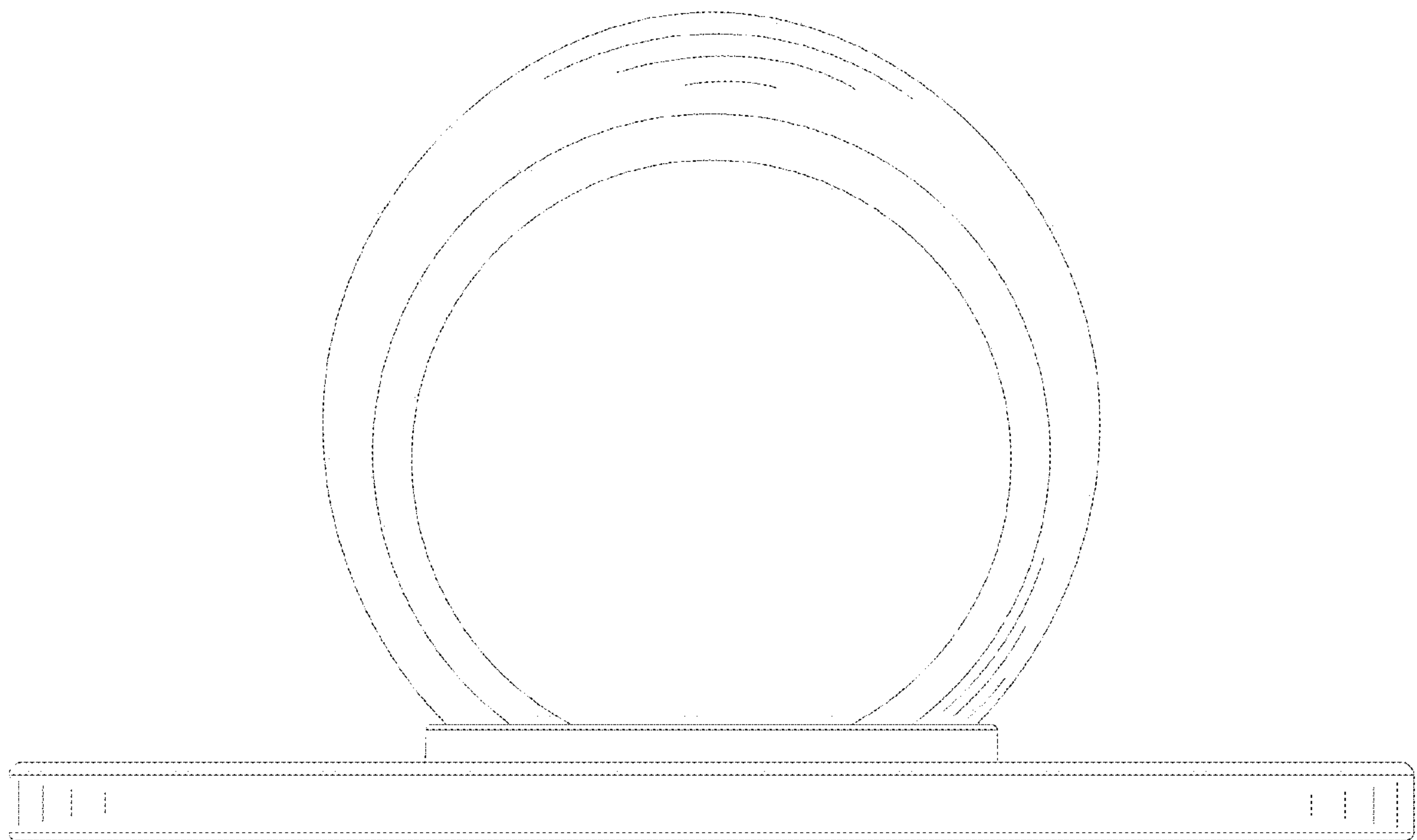


FIG. 8