

US00D966254S

(12) **United States Design Patent** (10) **Patent No.:** **US D966,254 S**
Zhang et al. (45) **Date of Patent:** **** Oct. 11, 2022**

(54) **VEHICLE MOUNT FOR ELECTRONIC DEVICE**

(71) Applicant: **Ugreen Group Limited**, Shenzhen (CN)

(72) Inventors: **Qingsen Zhang**, Shenzhen (CN); **Junling Chen**, Shenzhen (CN); **Sinan Lin**, Shenzhen (CN)

(**) Term: **15 Years**

(21) Appl. No.: **29/760,633**

(22) Filed: **Dec. 2, 2020**

(51) **LOC (13) Cl.** **14-99**

(52) **U.S. Cl.**
USPC **D14/253**

(58) **Field of Classification Search**
USPC D12/400, 415; D14/251-253, 447, 452, D14/432, 433, 434, 440
CPC B60R 11/02; B60R 11/0241; B60H 3/0028
See application file for complete search history.

(56) **References Cited**

U.S. PATENT DOCUMENTS

D750,633 S *	3/2016	Minn	D14/447
D757,705 S *	5/2016	Esses	D14/251
D765,651 S *	9/2016	Liu	D14/447
D768,125 S *	10/2016	Kim	D14/253
D769,860 S *	10/2016	Xiao	D14/253
D780,168 S *	2/2017	Du	D14/253
D782,462 S *	3/2017	Huang	D14/253
D783,592 S *	4/2017	Ju	D14/253
D796,421 S *	9/2017	Huang	D12/415

D799,466 S *	10/2017	Sukphist	D14/253
D826,225 S *	8/2018	Chen	D14/253
D831,660 S *	10/2018	Yao	D14/447
10,173,607 B1 *	1/2019	Omelchenko	B60H 3/0028
D858,509 S *	9/2019	Yao	D12/415
D860,190 S *	9/2019	Liao	D14/253
D868,054 S *	11/2019	Kim	D12/415
D882,560 S *	4/2020	Liao	D14/253
D883,271 S *	5/2020	Liao	D14/253
D888,703 S *	6/2020	Liao	D14/253
D893,471 S *	8/2020	Liao	D12/415
D894,891 S *	9/2020	Zhang	D12/415
2016/0052370 A1 *	2/2016	Esses	B60H 3/0028 239/398
2016/0325693 A1 *	11/2016	Kim	B60R 11/02
2018/0043840 A1 *	2/2018	Minn	B60R 11/0241

* cited by examiner

Primary Examiner — Susan E Krakower
Assistant Examiner — Jerry Shiuan-Hua Hsu

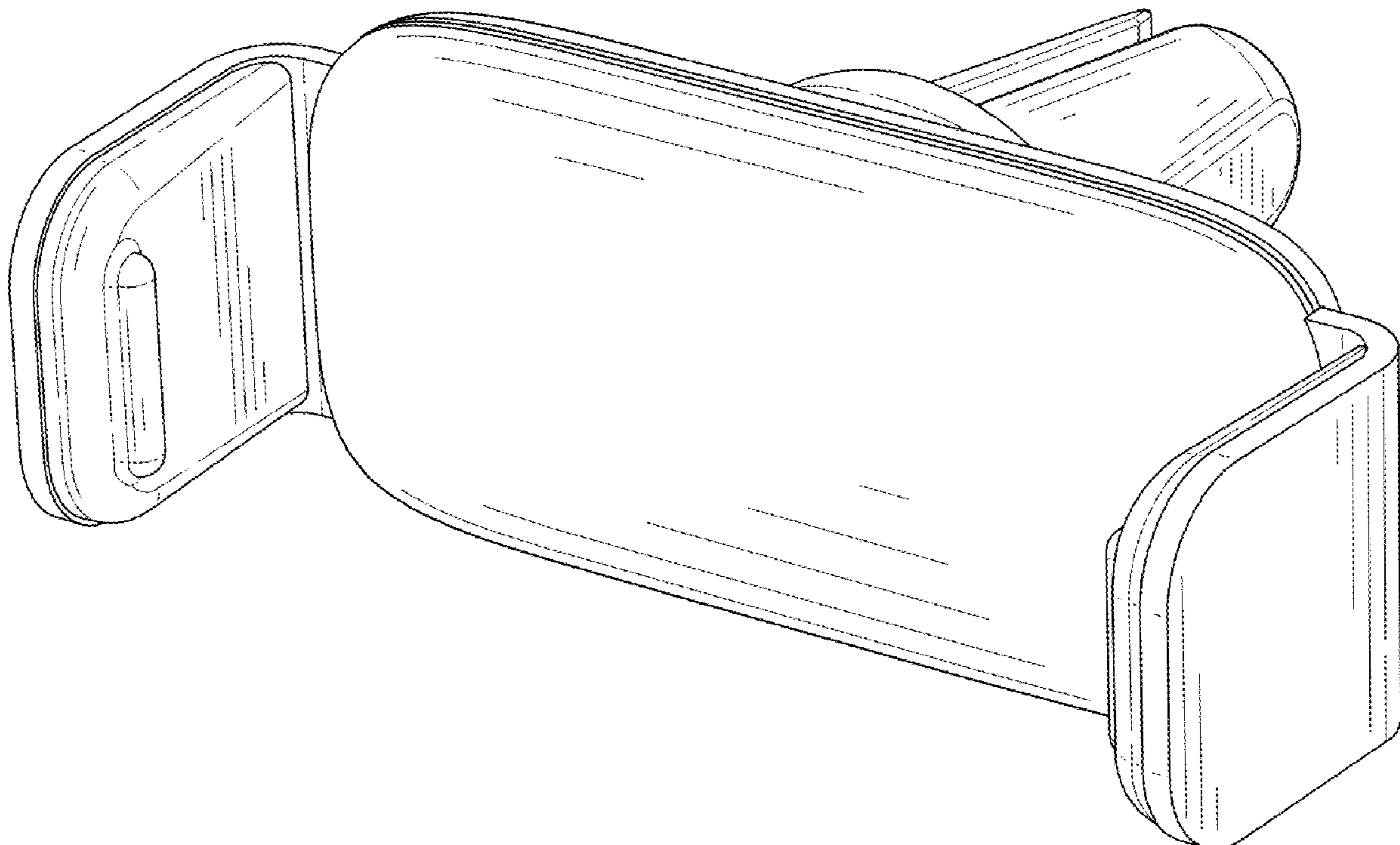
(57) **CLAIM**

The ornamental design for a vehicle mount for electronic device, as shown and described.

DESCRIPTION

FIG. 1 is a perspective view of a vehicle mount for electronic device showing my new design;
FIG. 2 is a front view thereof;
FIG. 3 is a back view thereof;
FIG. 4 is a left side view thereof;
FIG. 5 is a right side view thereof;
FIG. 6 is a top view thereof; and,
FIG. 7 is a bottom view thereof.

1 Claim, 7 Drawing Sheets



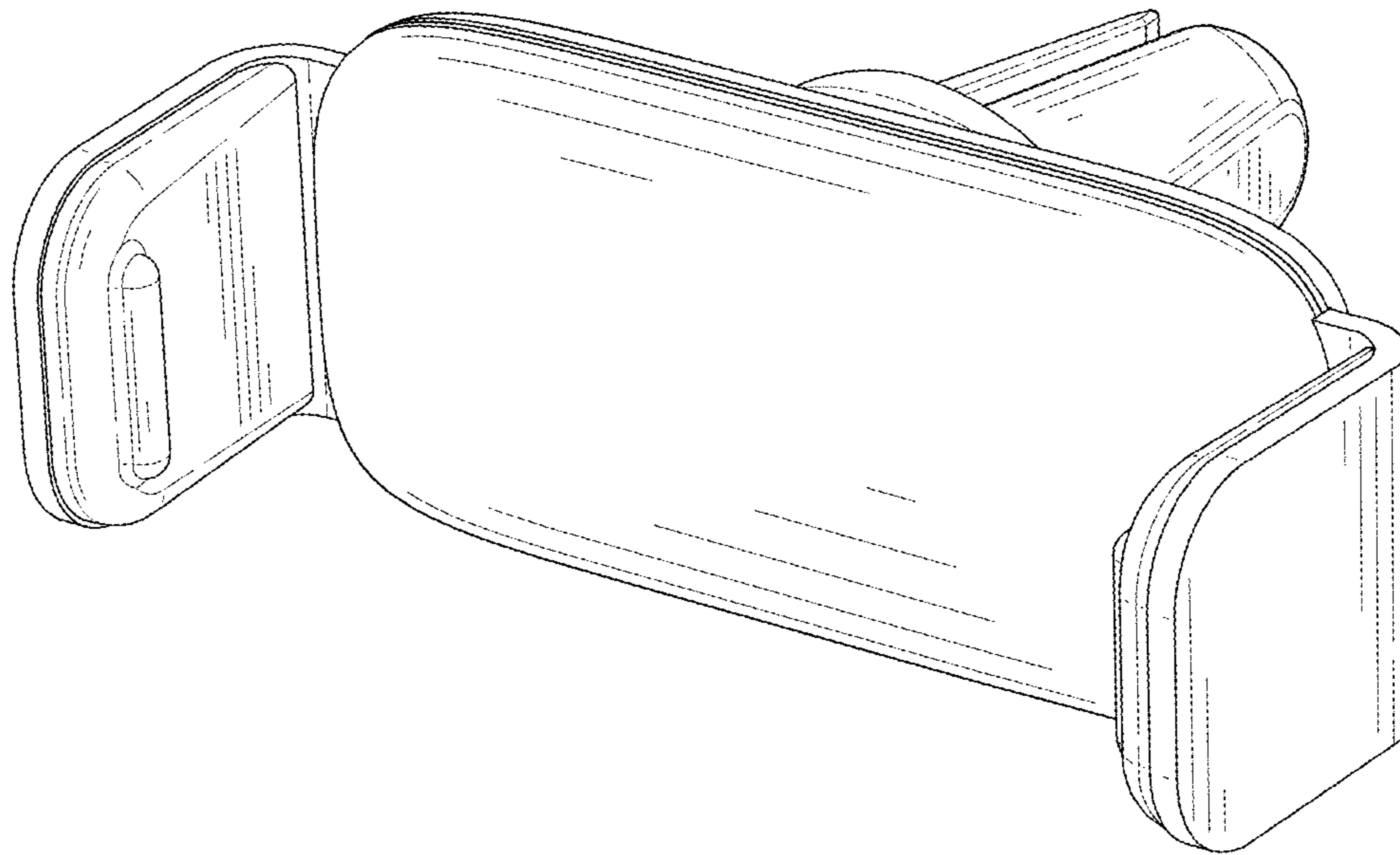


FIG. 1

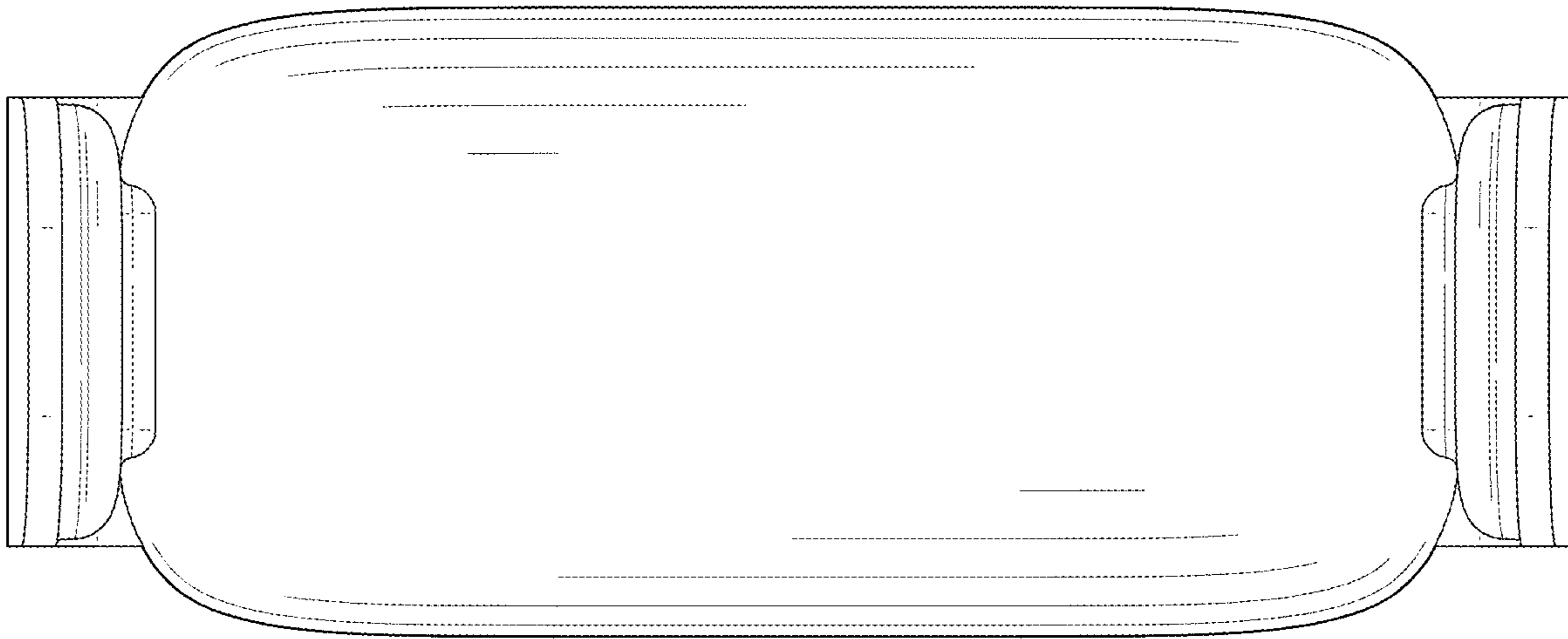


FIG. 2

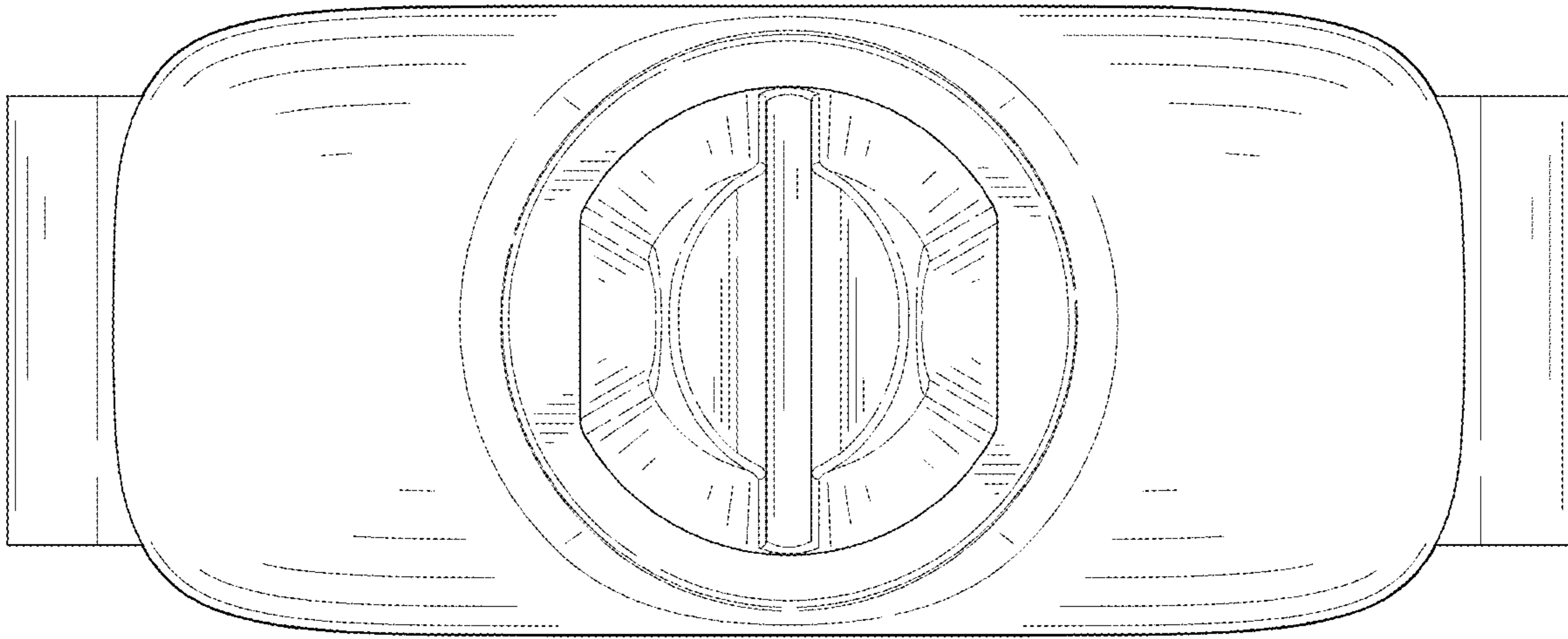


FIG. 3

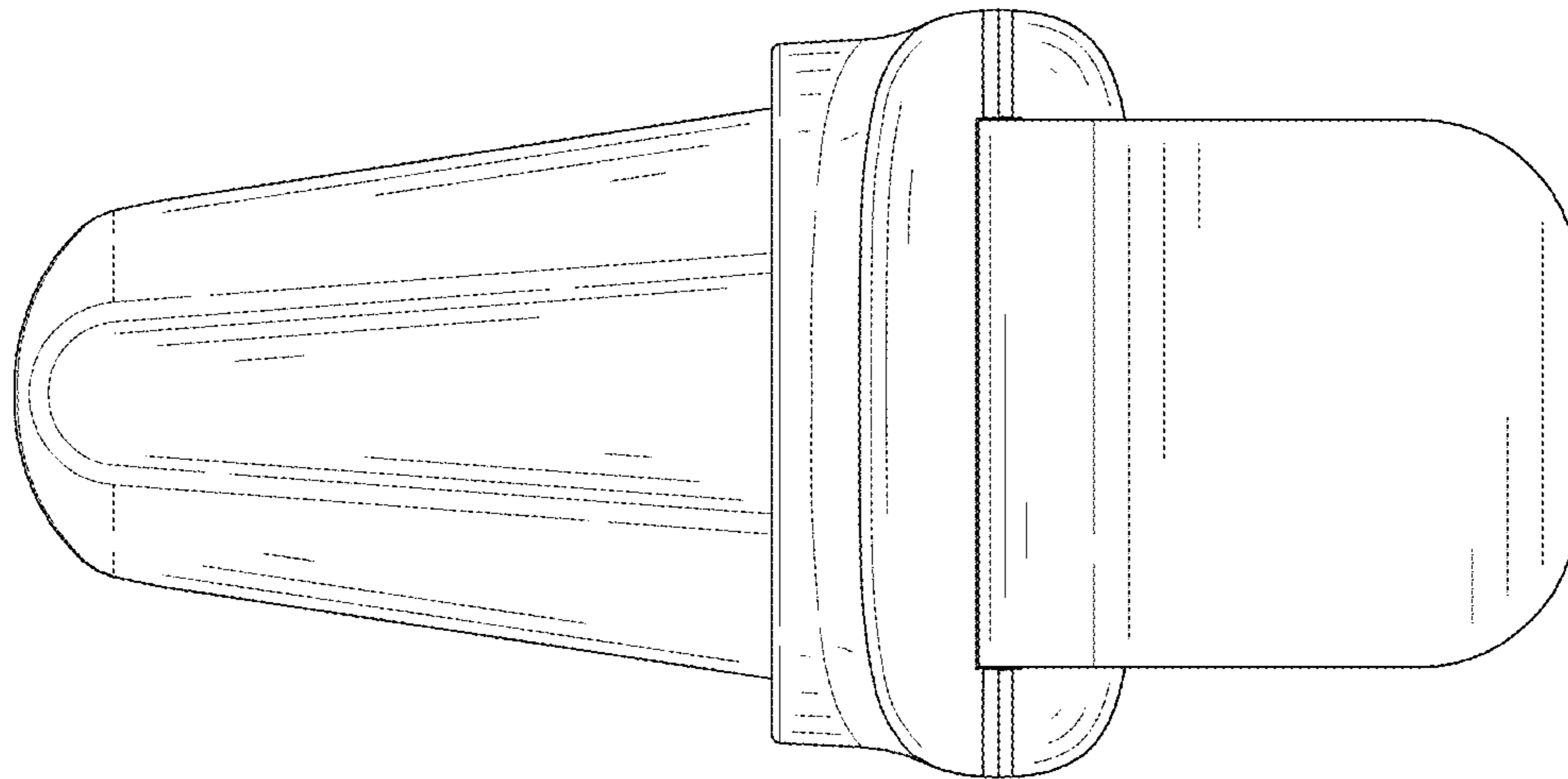


FIG. 4

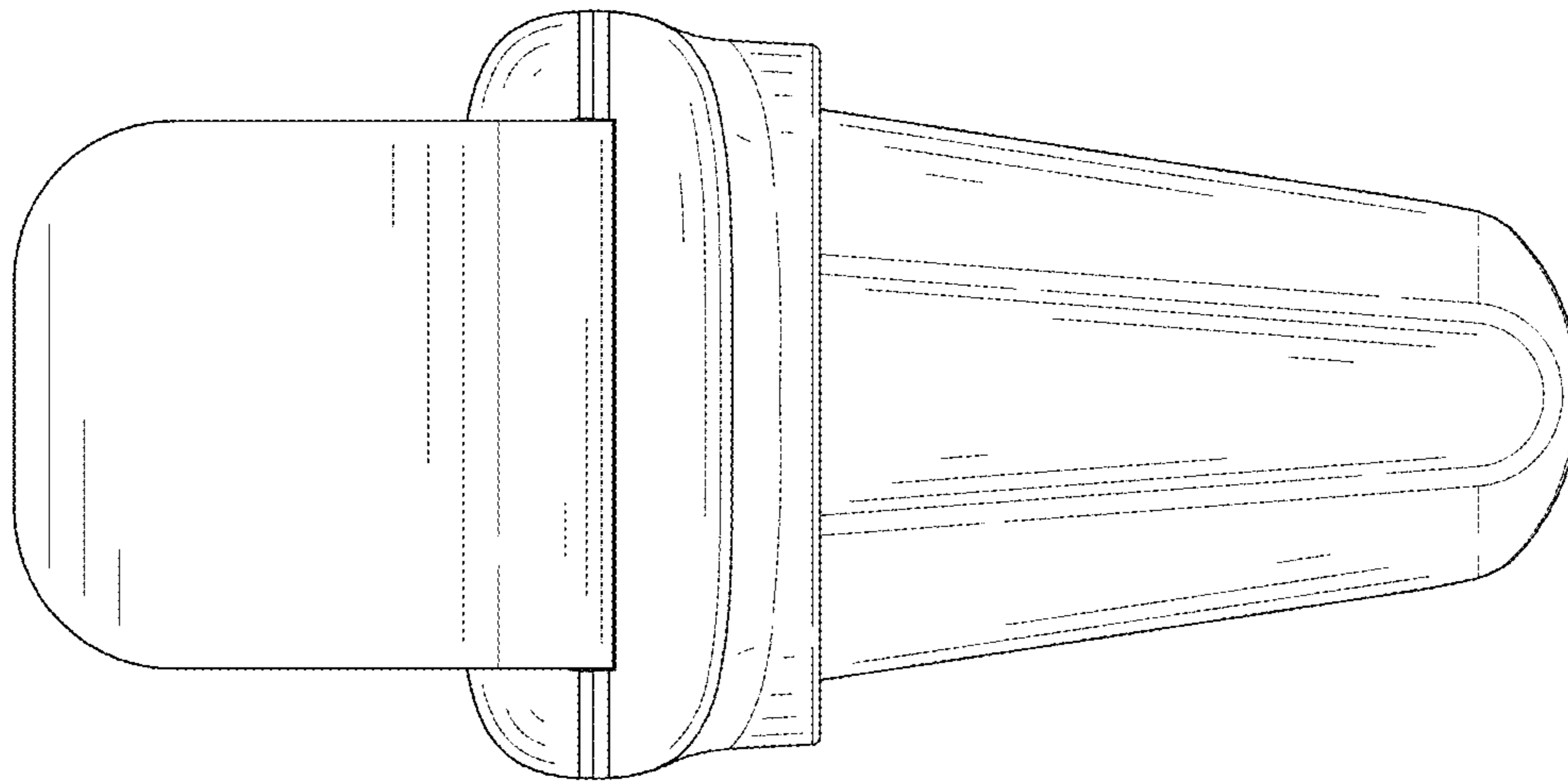


FIG. 5

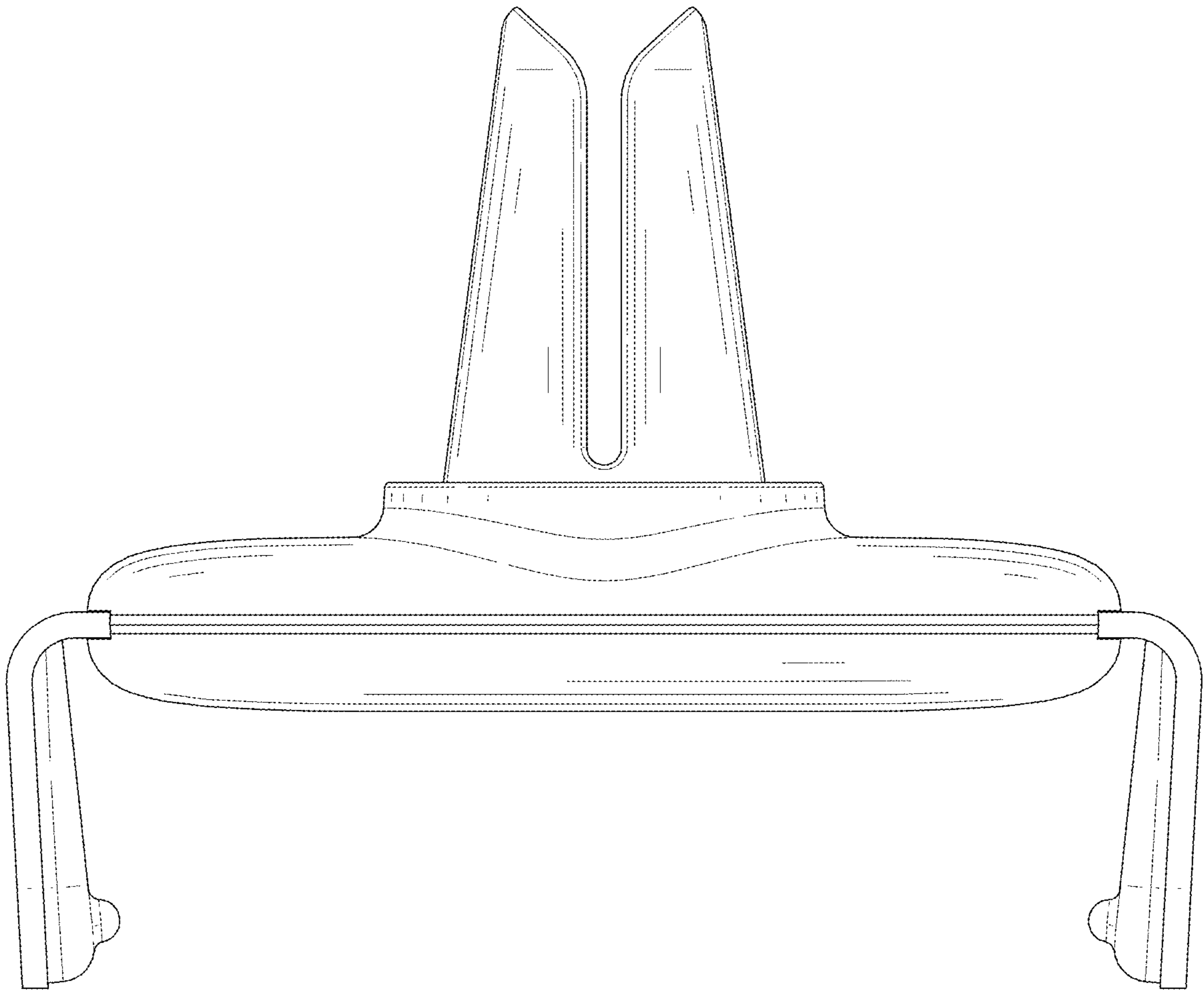


FIG. 6

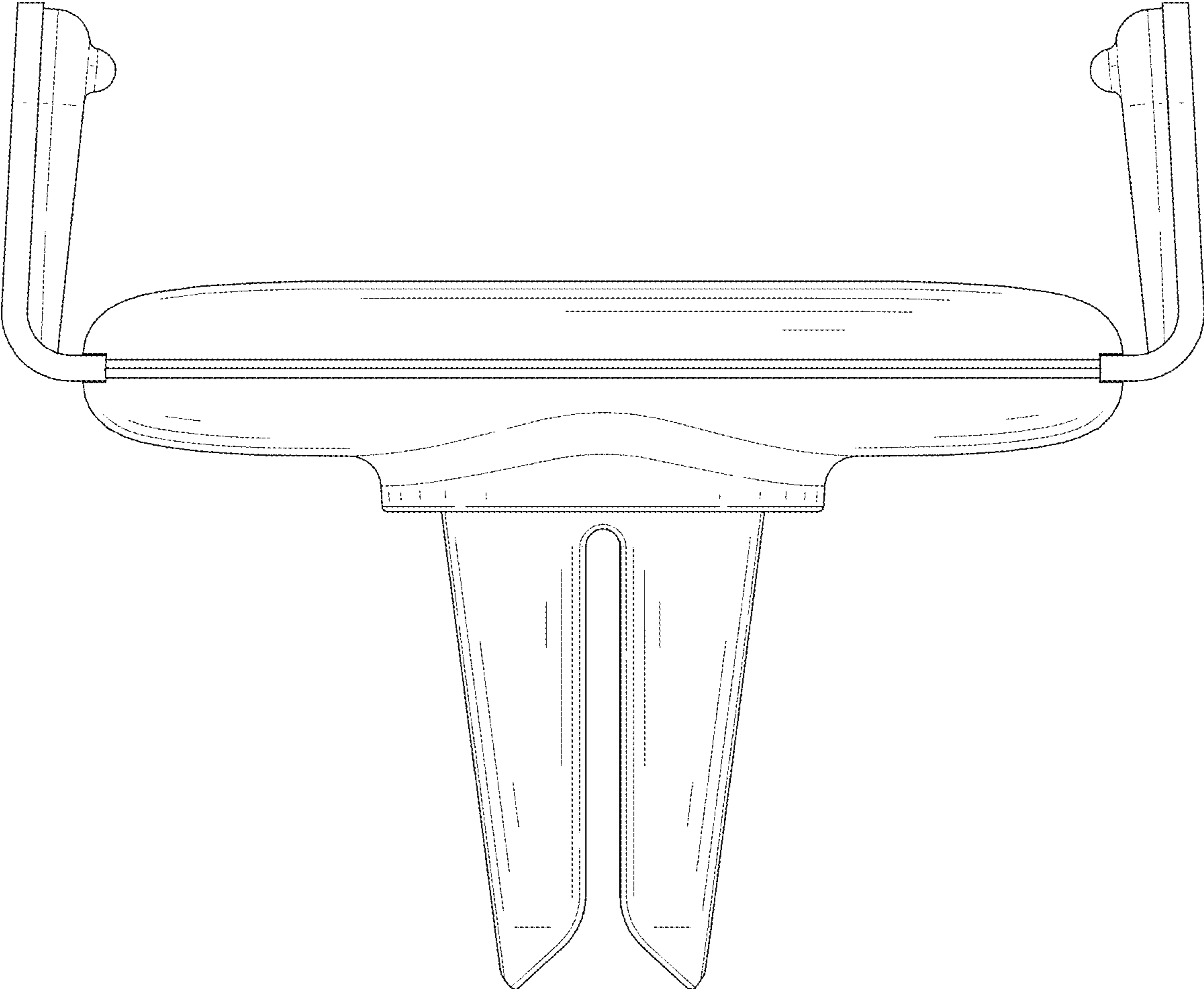


FIG. 7