

US00D966253S

(12) **United States Design Patent** (10) **Patent No.:** **US D966,253 S**
Wu (45) **Date of Patent:** **** Oct. 11, 2022**

(54) **HOLDER**

FOREIGN PATENT DOCUMENTS

(71) Applicant: **Anker Innovations Technology Co., Ltd.**, Changsha (CN)

CN 303704778 S 1/2016
CN 304190573 S 11/2016

(Continued)

(72) Inventor: **Xiangpeng Wu**, Shenzhen (CN)

OTHER PUBLICATIONS

(73) Assignee: **Anker Innovations Technology Co., Ltd.**, Changsha (CN)

“Anker Magnetic Phone Grip.” Found online Jun. 2, 2022 at www.amazon.com. Product first available Oct. 22, 2021. Retrieved from URL: https://www.amazon.com/Anker-Magnetic-Adjustable-Kickstand-Dolomite/dp/B09B3DZG93 (Year: 2021).*

(**) Term: **15 Years**

(Continued)

(21) Appl. No.: **29/817,298**

(22) Filed: **Nov. 30, 2021**

Primary Examiner — Mary Ann Calabrese

Assistant Examiner — Katelin G Kloberg

(30) **Foreign Application Priority Data**

(74) *Attorney, Agent, or Firm* — Banner & Witcoff, Ltd.

Jun. 18, 2021 (CN) 202130377840.0

(51) **LOC (13) Cl.** **14-06**

(52) **U.S. Cl.**
USPC **D14/251**

(58) **Field of Classification Search**
USPC D3/218; D6/513; D14/251, 253, 439, D14/447

CPC A45F 2200/0516; A45F 5/00; A45F 2200/0525; H04B 2001/3861; A44C 9/0061

See application file for complete search history.

(57) **CLAIM**

The ornamental design for a holder, as shown and described.

(56) **References Cited**

DESCRIPTION

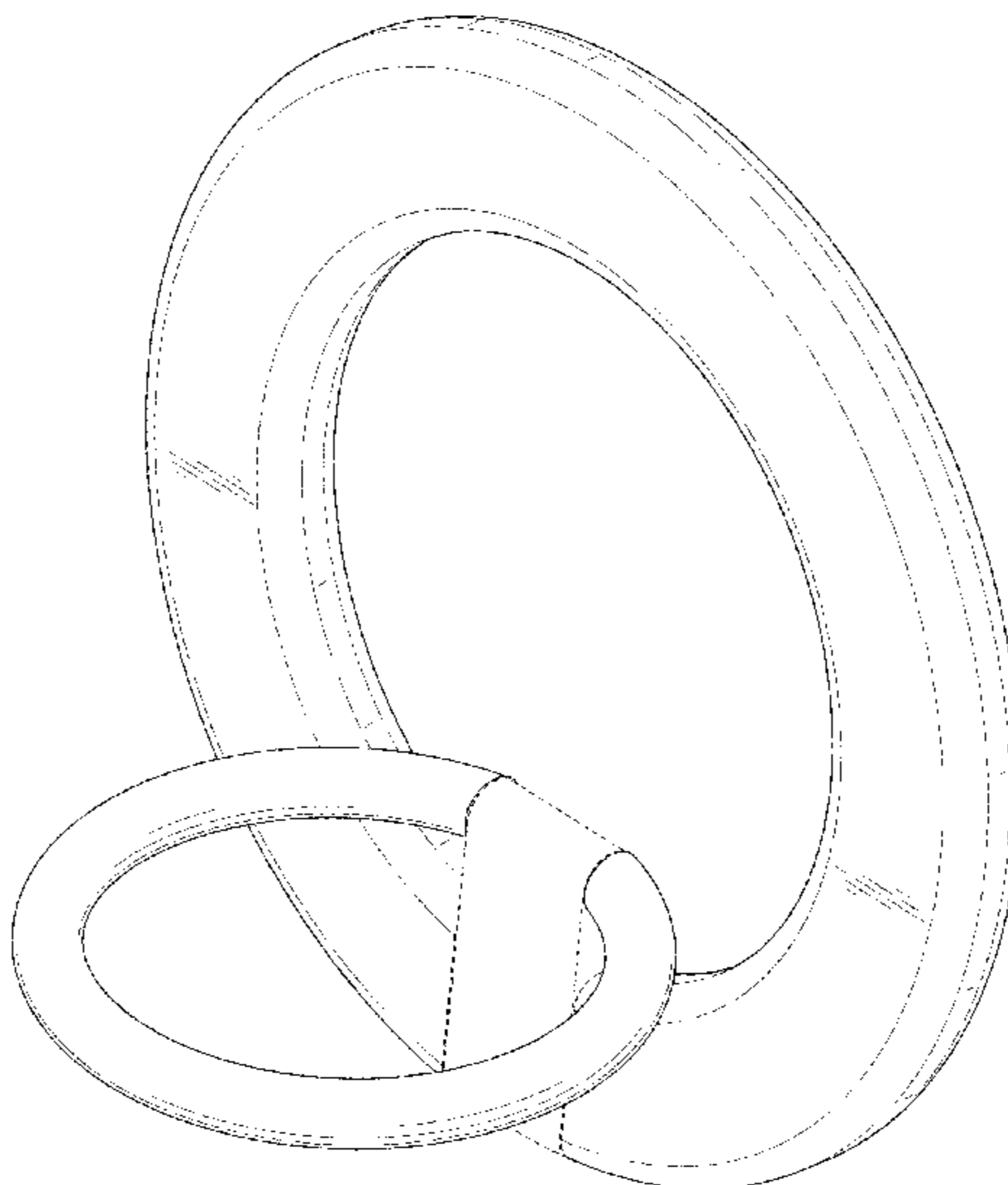
U.S. PATENT DOCUMENTS

D737,264 S 8/2015 Shamsadov
D749,559 S 2/2016 Senoff
D753,912 S 4/2016 Spero
D765,662 S 9/2016 Kang
D782,488 S * 3/2017 Kim D14/447
D809,449 S 2/2018 Zhang
D829,722 S 10/2018 Kim
D833,448 S 11/2018 Kilkenny
D844,598 S 4/2019 Jang
D855,048 S 7/2019 Kim

(Continued)

FIG. 1 is a front top perspective view of a holder showing an inner ring in an extended position;
FIG. 2 is a rear bottom perspective view thereof;
FIG. 3 is a front view thereof;
FIG. 4 is a rear view thereof;
FIG. 5 is a left side view thereof;
FIG. 6 is a right side view thereof;
FIG. 7 is a top view thereof;
FIG. 8 is a bottom view thereof;
FIG. 9 is a front perspective view of the holder of FIGS. 1-8 with the inner ring shown in a retracted position; and,
FIG. 10 is a front view thereof.
The broken lines depicting the remainder of the holder form no part of the claimed design.

1 Claim, 10 Drawing Sheets



(56)

References Cited

U.S. PATENT DOCUMENTS

D855,049 S 7/2019 Kim
 D857,688 S 8/2019 Ren
 D859,417 S 9/2019 Kim
 D866,546 S 11/2019 Stillwell et al.
 D885,376 S 5/2020 He
 D904,386 S 12/2020 Luo
 D906,328 S 12/2020 Kim
 10,938,433 B2* 3/2021 Yim H04B 1/3877
 D918,889 S * 5/2021 Huang D14/251
 D925,515 S 7/2021 Korneluk
 D931,847 S 9/2021 Hong
 D933,057 S 10/2021 Kim
 D938,353 S * 12/2021 Gan D13/108
 D944,787 S * 3/2022 Zheng D14/253
 D947,830 S * 4/2022 Lin D14/250
 2018/0220782 A1* 8/2018 Mody A45F 5/00
 2022/0117384 A1* 4/2022 Whitten A45C 9/00

FOREIGN PATENT DOCUMENTS

CN 304284212 S 3/2017
 CN 304619709 S 8/2017
 CN 304557767 S 9/2017
 CN 304865069 S 3/2018
 CN 304874919 S 3/2018
 CN 305115176 S 7/2018

CN 305012973 S 9/2018
 CN 305286663 S 11/2018
 CN 209672258 U 5/2019
 CN 305725529 S 7/2019
 CN 306442450 S 11/2020
 CN 306541905 S 12/2020
 CN 306964736 S 11/2021
 JP 1551870 S 6/2016
 KR 300679812 S 2/2012
 KR 3020140000361 S 3/2014
 KR 301145225 S 1/2022

OTHER PUBLICATIONS

“PZOZ Magnetic Phone Ring Grip.” Found online Jun. 2, 2022 at www.amazon.com. Product first available Sep. 19, 2021. Retrieved from URL: <https://www.amazon.com/dp/B09XD5TDHV> (Year: 2021).*

“Minsky Magnetic Phone Ring Holder.” Found online Jun. 2, 2022 at www.amazon.com. Product first available Nov. 4, 2021. Retrieved from URL: <https://www.amazon.com/Minsky-Accessories-Adjustable-Grip%E3%80%90Removable-Charging%E3%80%91/dp/B09MRMWWFFY> (Year: 2021).*

“Jumaocun Magnetic Magsafe Cell Phone Ring Grip.” Found online Jun. 2, 2022 at www.amazon.com. Product first available Apr. 27, 2022. Retrieved from URL: <https://www.amazon.com/dp/B09YYYW2TP> (Year: 2022).*

* cited by examiner

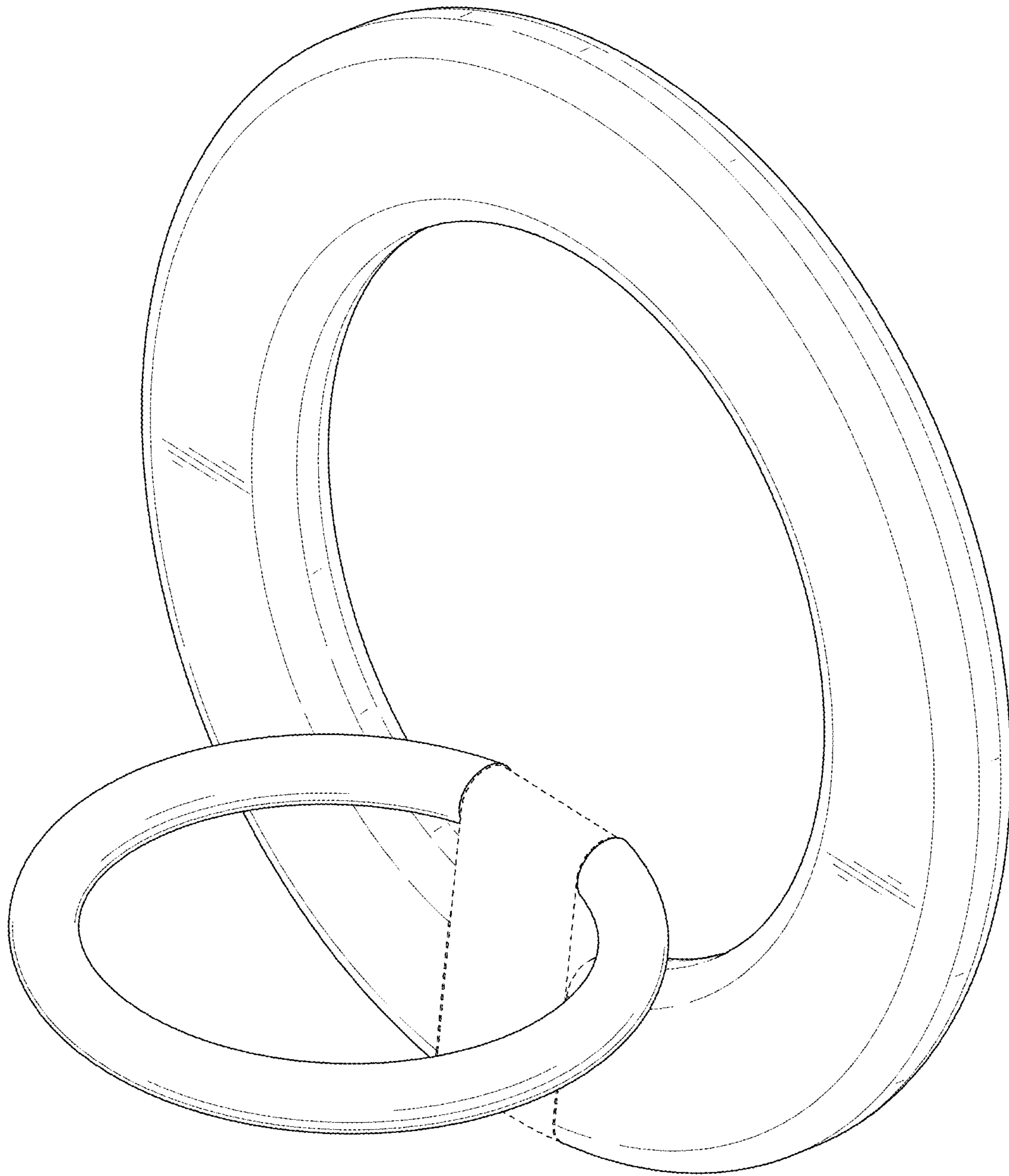


FIG. 1

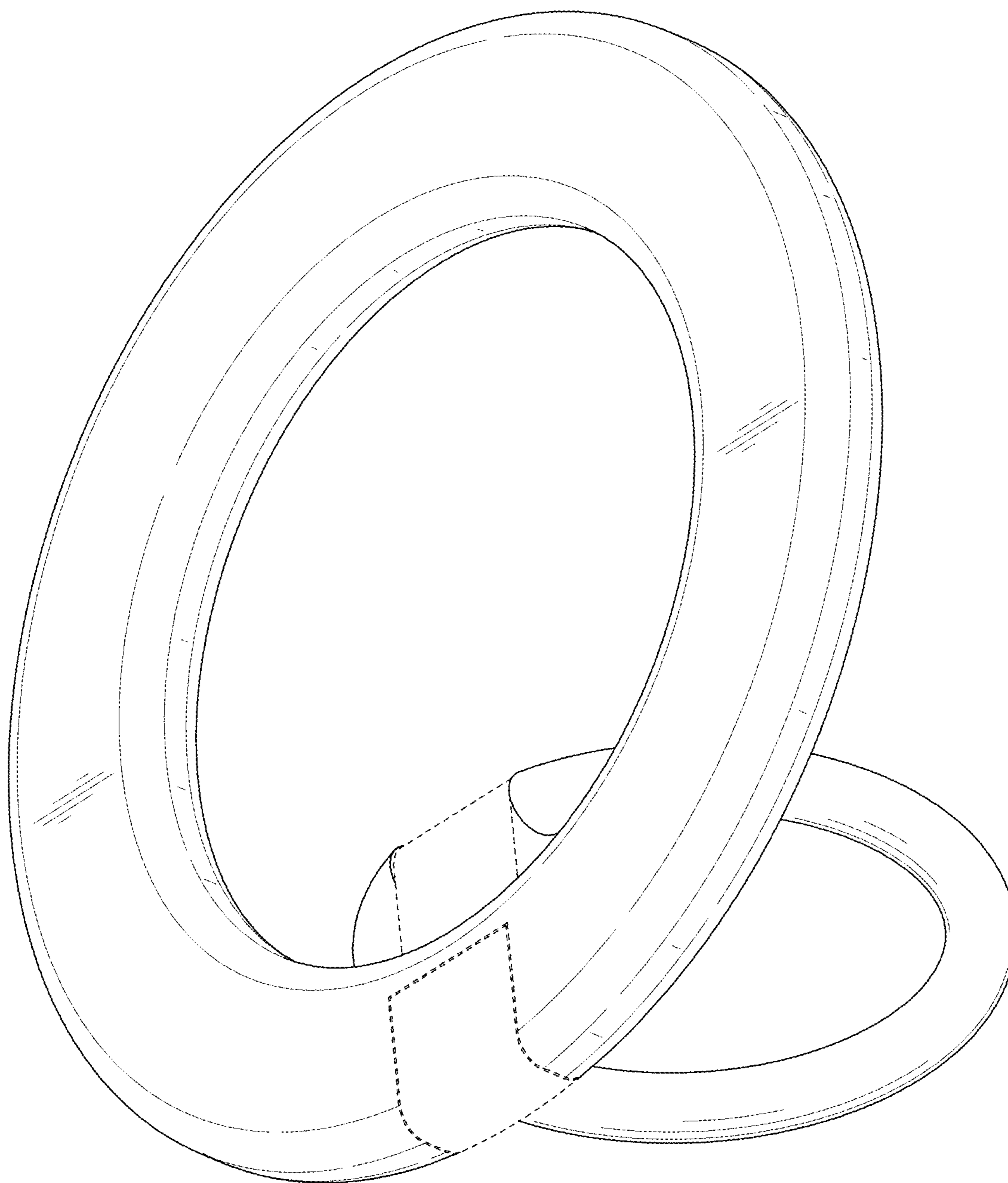


FIG. 2

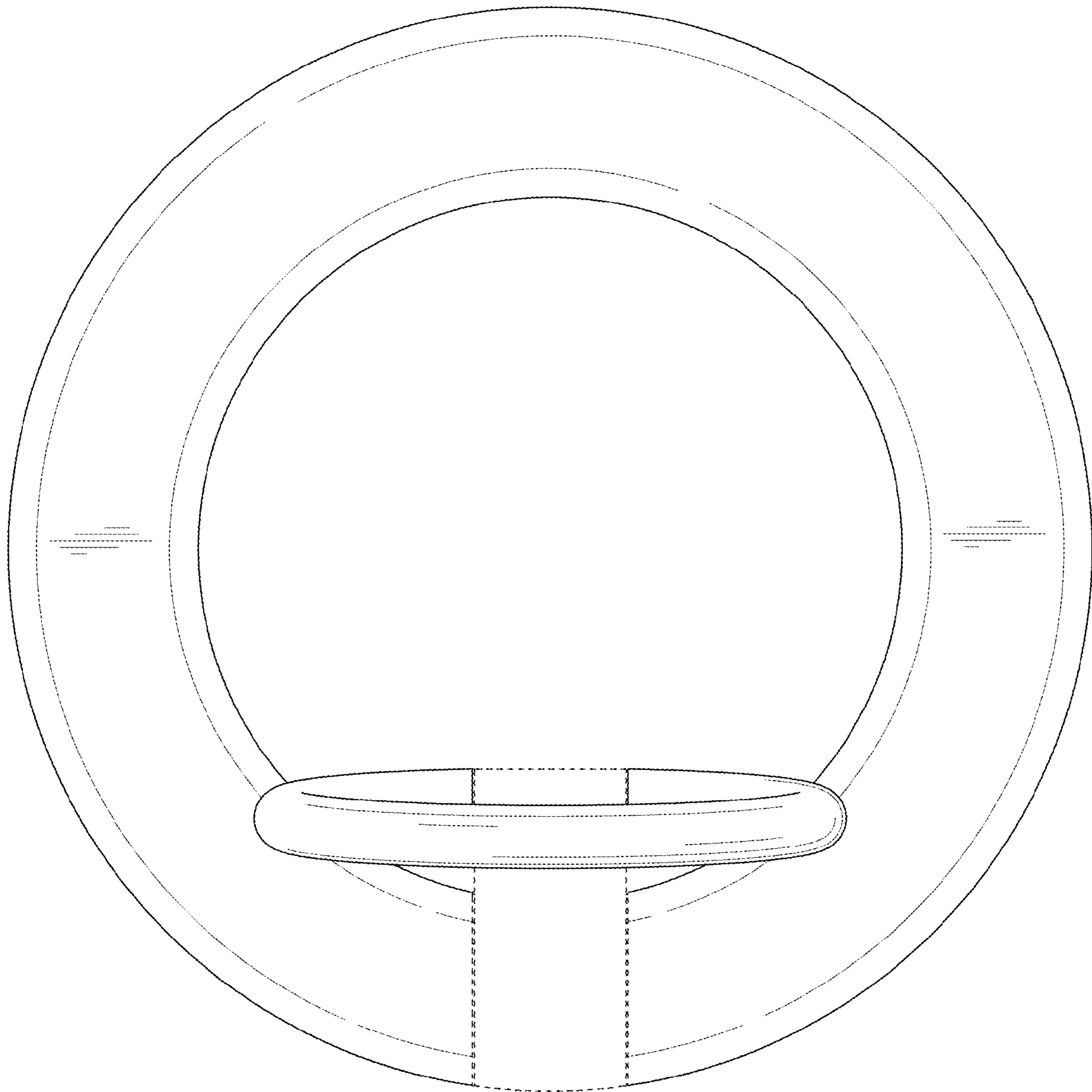


FIG. 3

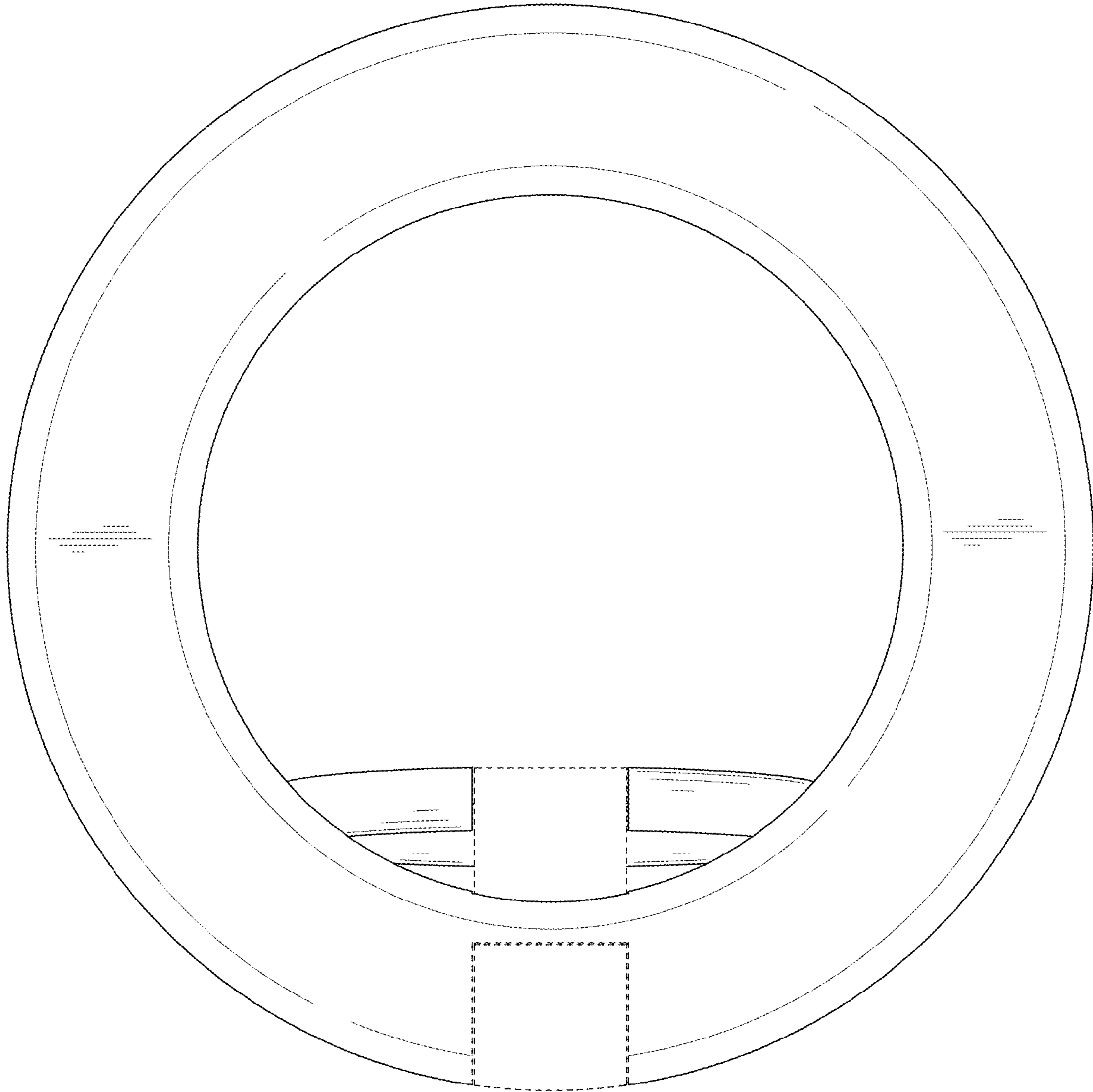


FIG. 4

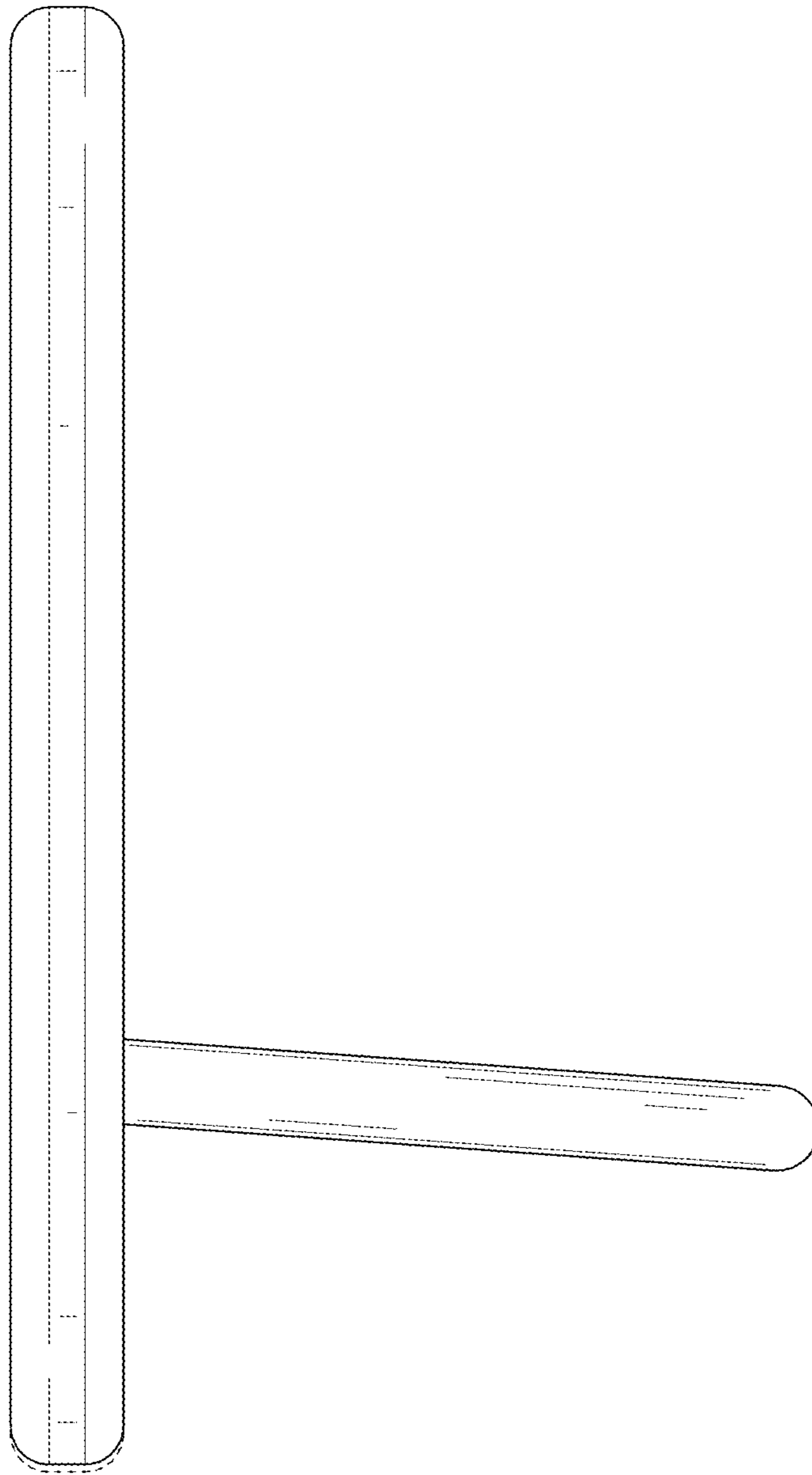


FIG. 5

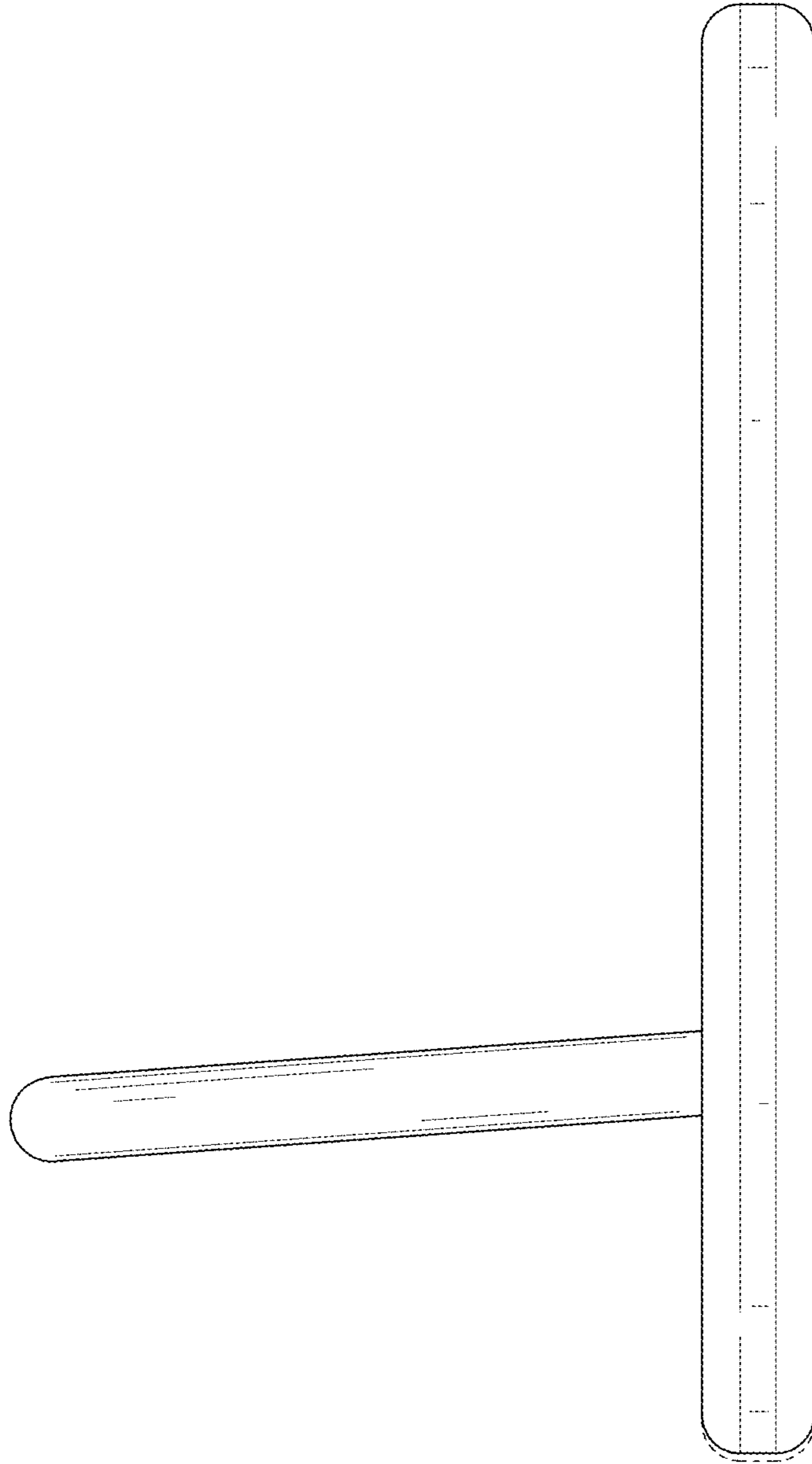


FIG. 6

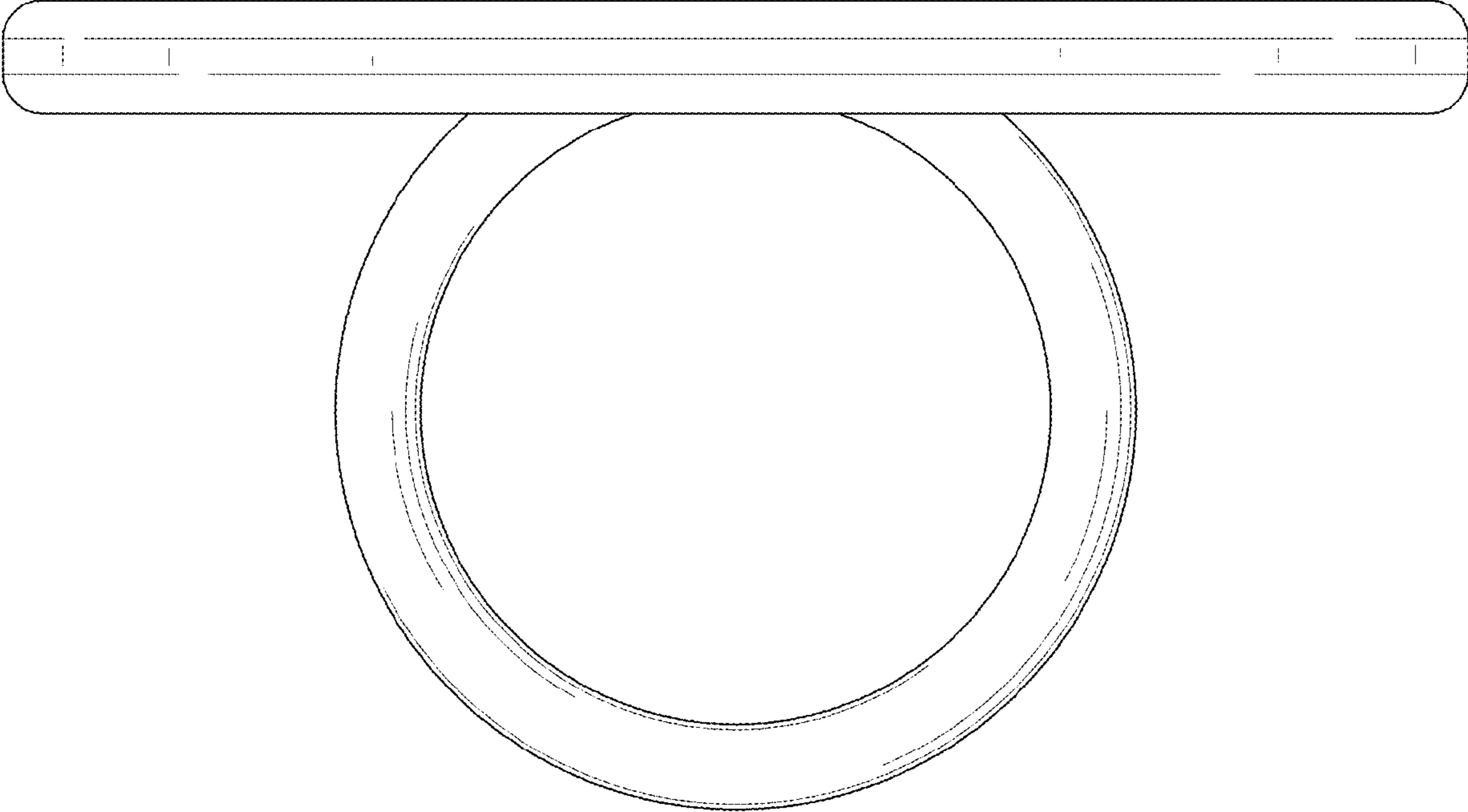


FIG. 7

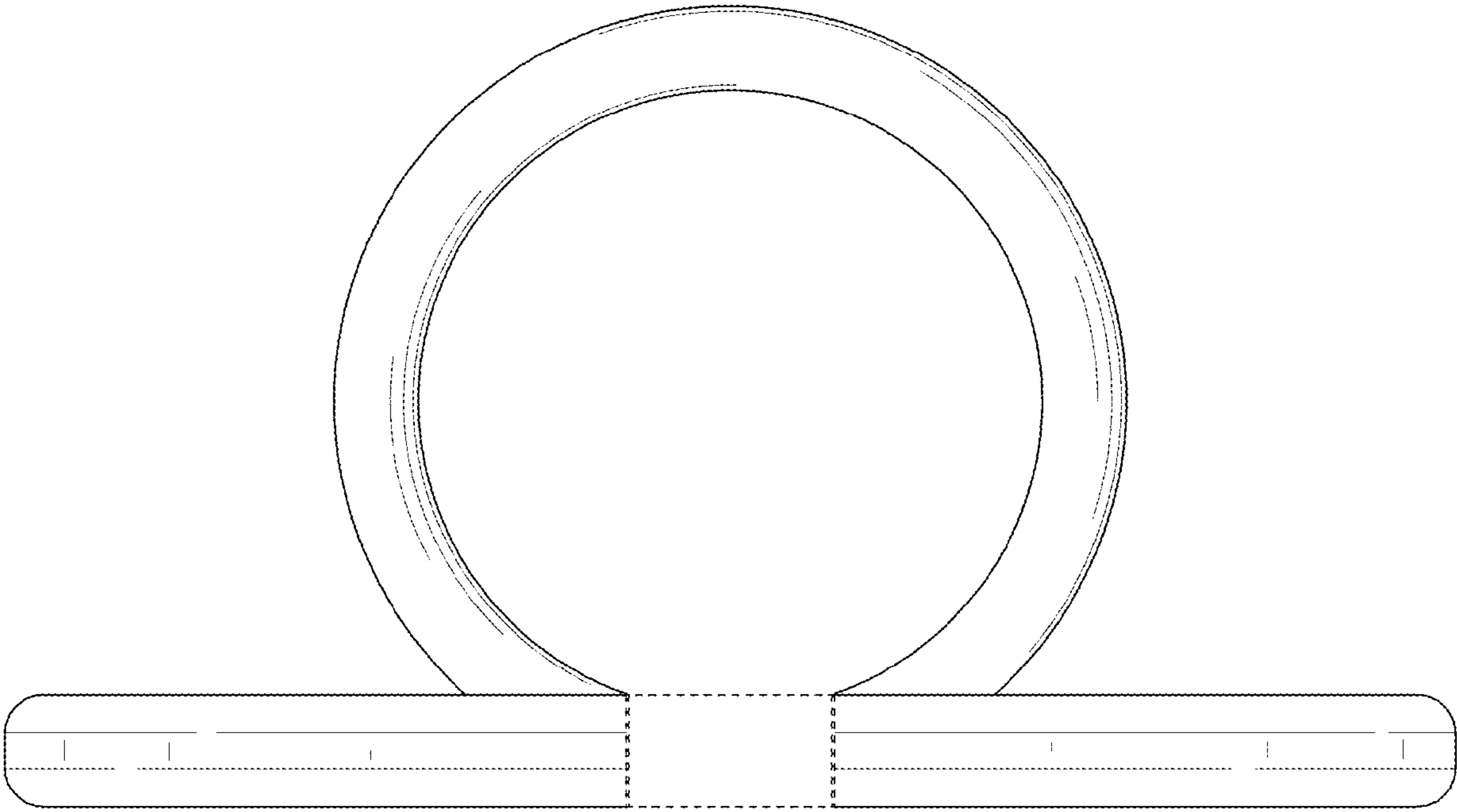


FIG. 8

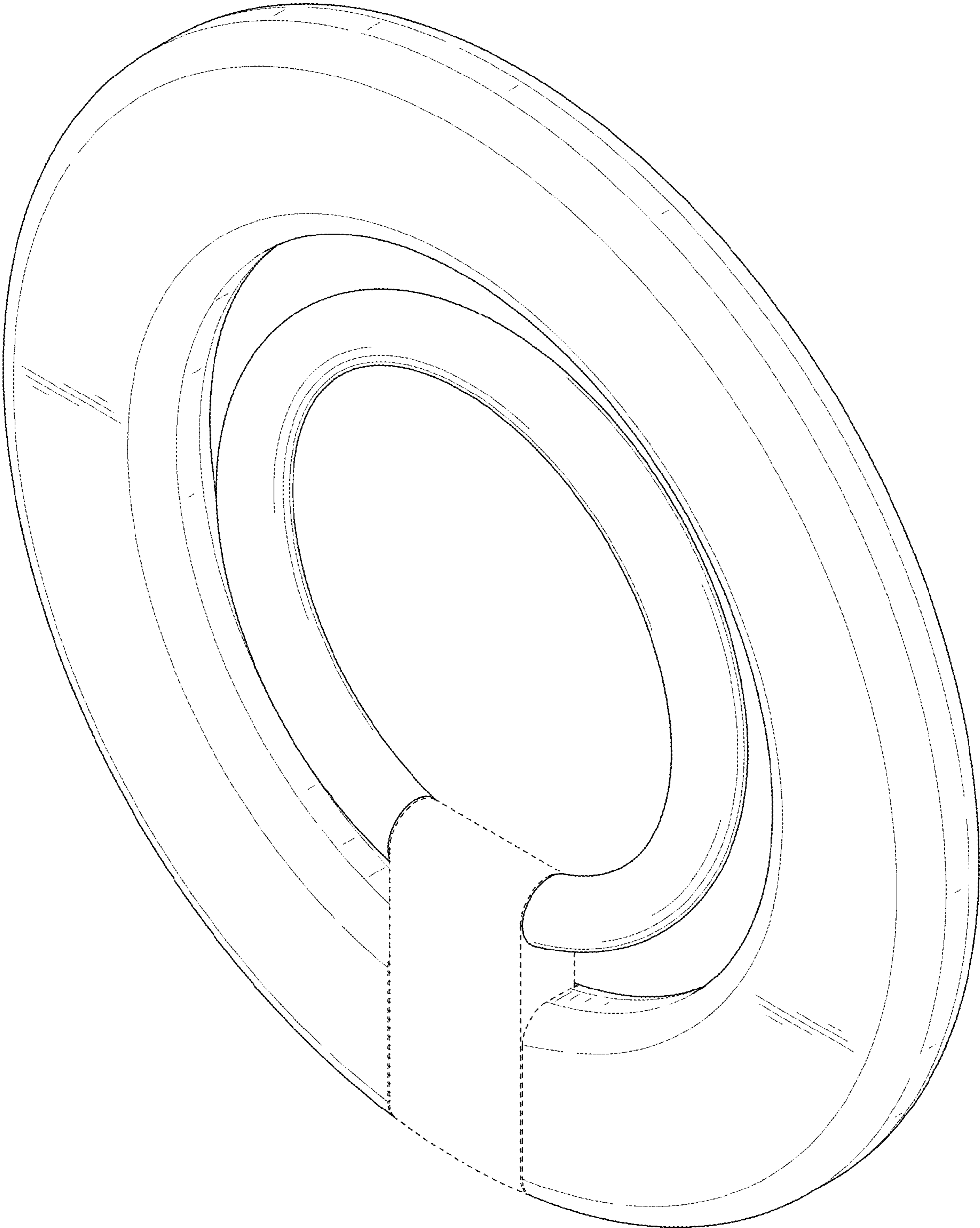


FIG. 9

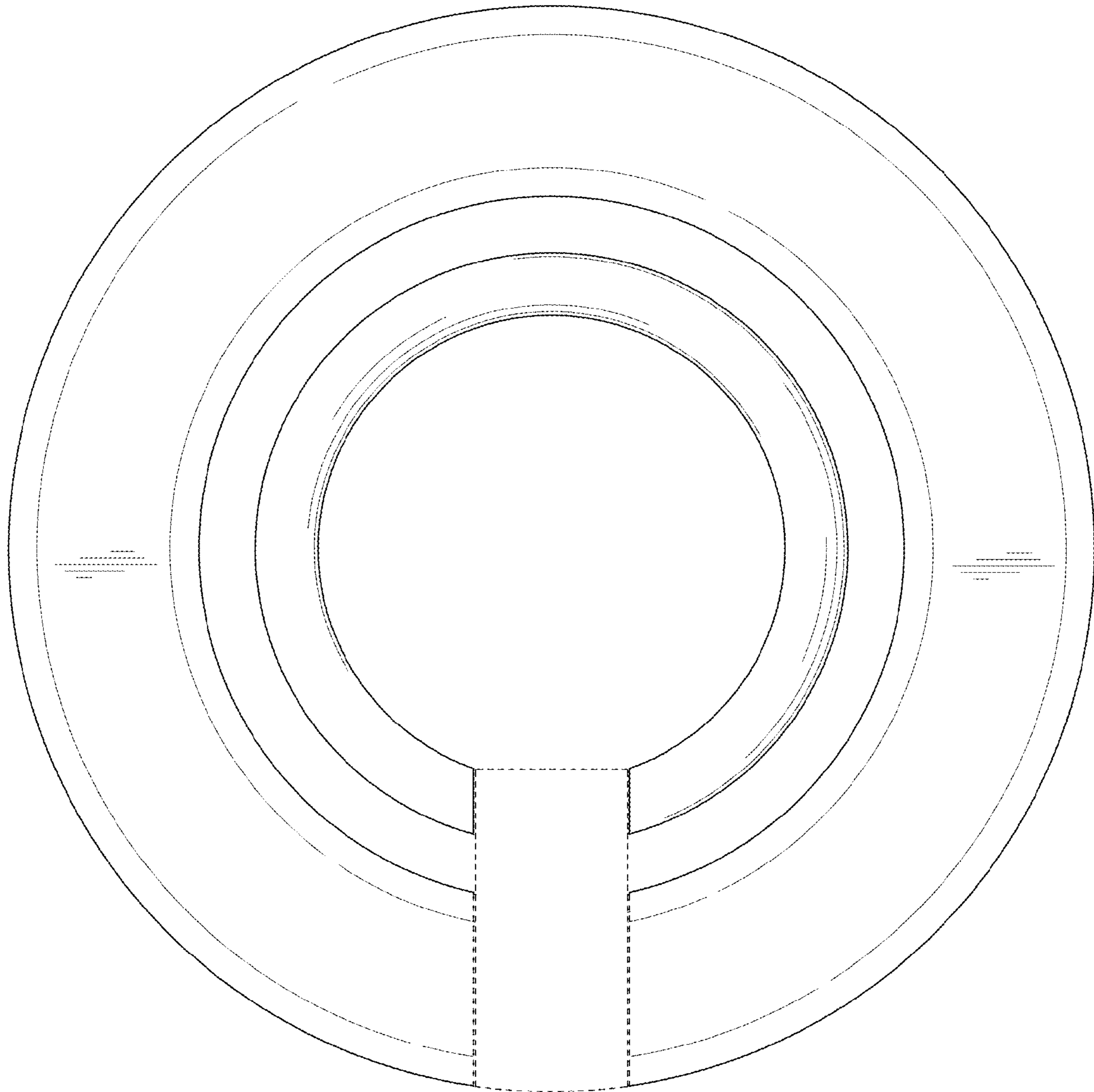


FIG. 10