



US00D966243S

(12) **United States Design Patent** (10) **Patent No.:** **US D966,243 S**
Klein (45) **Date of Patent:** **** Oct. 11, 2022**

(54) **ELECTRONIC MODULE HOLDER FOR PACKAGE TRACKING AND MONITORING**

(71) Applicant: **Elliot Klein**, Aventura, FL (US)

(72) Inventor: **Elliot Klein**, Aventura, FL (US)

(**) Term: **15 Years**

(21) Appl. No.: **29/793,197**

(22) Filed: **Nov. 10, 2021**

(51) **LOC (13) Cl.** **14-03**

(52) **U.S. Cl.**
USPC **D14/238**; D10/106.9

(58) **Field of Classification Search**
USPC D14/138, 230–238, 299, 358; D9/732;
D10/104.1, 106.9
CPC A01K 29/005; A01K 29/00; A01K 15/022;
A01K 27/001; A01K 27/005; A01K
27/009

See application file for complete search history.

(56) **References Cited**

U.S. PATENT DOCUMENTS

- D297,220 S * 8/1988 Dutcher D10/104.1
- D600,151 S * 9/2009 Steffensen D10/104.1
- D671,921 S * 12/2012 Beall D14/230
- D675,949 S * 2/2013 Chang D10/106.9
- D686,512 S * 7/2013 Hamilton D3/264
- D709,396 S * 7/2014 Eidelman D10/106.9
- D749,442 S * 2/2016 Jung D10/106.9
- D772,725 S * 11/2016 Sowden D9/732
- D781,157 S * 3/2017 Sowden D9/732
- 9,626,616 B2 * 4/2017 Richley G06K 19/0772
- D786,701 S * 5/2017 Sowden D9/732
- D790,372 S * 6/2017 Daoura D10/104.1
- D819,468 S 6/2018 Komoni
- D830,327 S * 10/2018 Jones D14/155
- 10,420,401 B2 * 9/2019 Eidelman A44B 99/00
- D901,461 S * 11/2020 Petros D14/230
- D911,860 S * 3/2021 Schoenherr D10/104.2

- D918,072 S * 5/2021 Umair D10/70
- D918,073 S 5/2021 Umair
- D920,143 S 5/2021 Painter
- D923,496 S 6/2021 Wheaton
- 11,057,689 B1 * 7/2021 Klein G06K 19/06028
- D931,840 S * 9/2021 Chaumont D14/238
- D941,161 S * 1/2022 Platt D9/732
- D948,365 S * 4/2022 Thomson D10/104.1
- D952,473 S * 5/2022 Hanzly D9/756

(Continued)

OTHER PUBLICATIONS

AirTags accessories, announced. Copyright, 2021 [online], retrieved Sep. 21, 2021, retrieved from internet, <https://www.apple.com/shop/accessories/all/airtag>.

(Continued)

Primary Examiner — Keli L Hill
Assistant Examiner — Harold E Blackwell, II

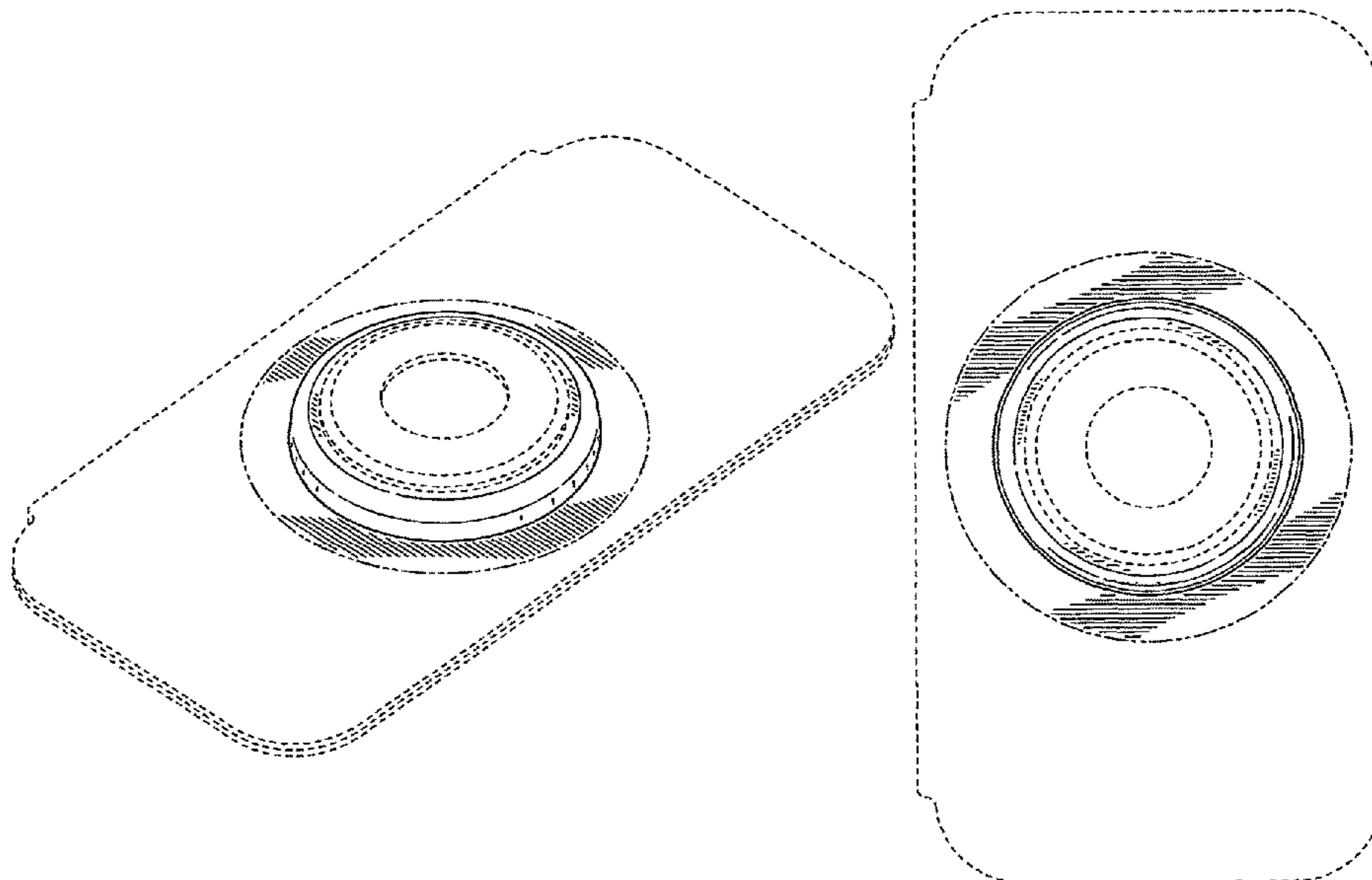
(57) **CLAIM**

The ornamental design for a electronic module holder for package tracking and monitoring, as shown and described.

DESCRIPTION

FIG. 1 is a perspective view of my new design;
FIG. 2 is a front elevation view thereof;
FIG. 3 is a back elevation view thereof;
FIG. 4 is a left side elevation view thereof;
FIG. 5 is a right side elevation view thereof;
FIG. 6 is a top plan view thereof; and,
FIG. 7 is a bottom plan view thereof.
The dot dash dot lines immediately adjacent to the shaded areas represent bounds of the claimed design while all other broken lines are included for the purpose of illustrating portions of the electronic module holder for package tracking and monitoring; the broken lines form no part of the claimed design.

1 Claim, 3 Drawing Sheets



(56)

References Cited

U.S. PATENT DOCUMENTS

D952,494 S * 5/2022 Miller D10/106.9
2022/0253798 A1* 8/2022 Klein H04W 4/021

OTHER PUBLICATIONS

“AirTags: Apple’s Item Trackers—Everything We Know,” Copyright, 2021 [online], retrieved from internet Sep. 24, 2021 <https://www.macrumors.com/guide/airtags/>.

“Tile secures \$40 million to take on Apple AirTag with new products,” Copyright, 2021 [online], retrieved from internet Sep. 28, 2021 <https://techcrunch.com/2021/09/16/tile-s>.

* cited by examiner

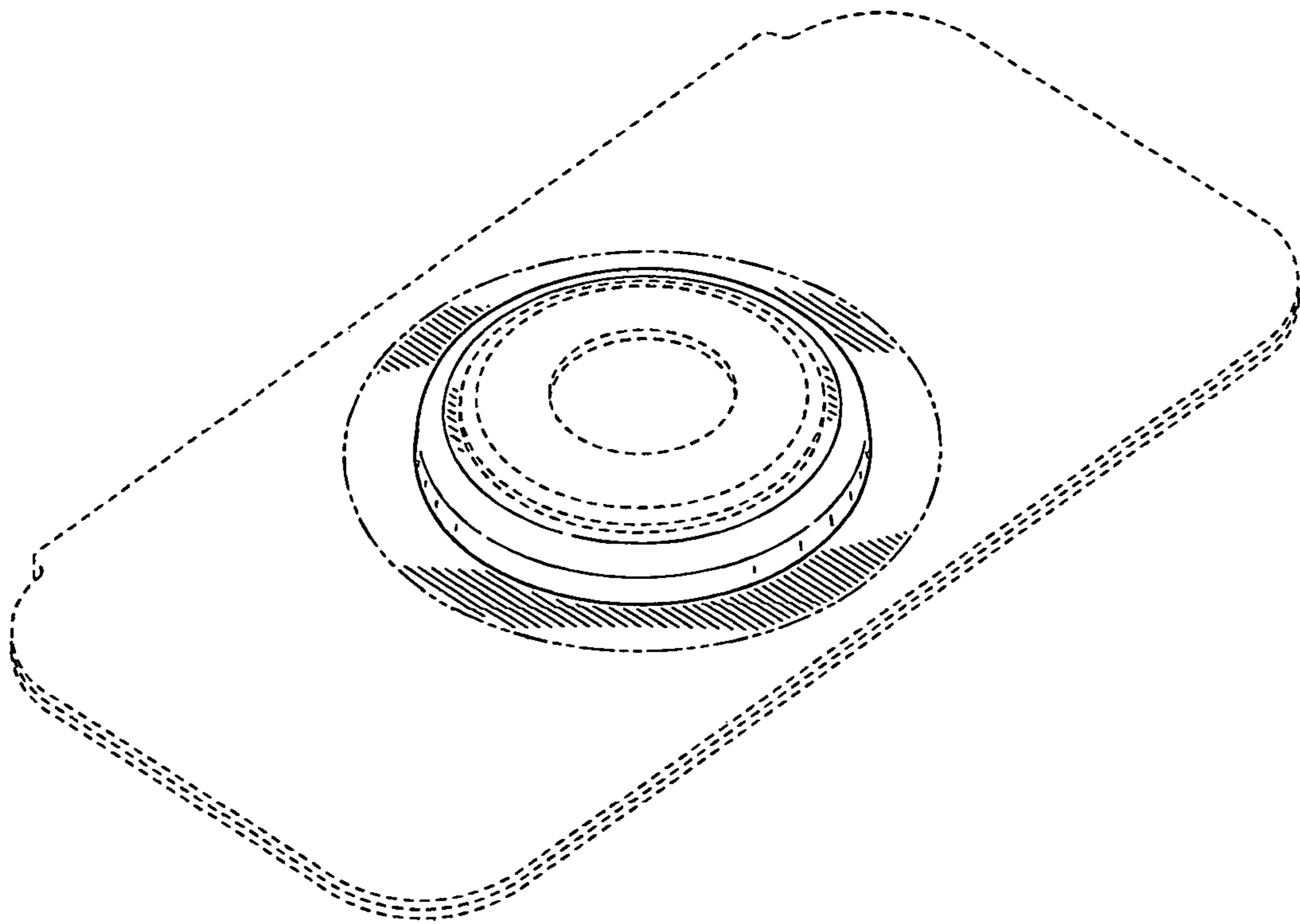


FIG. 1

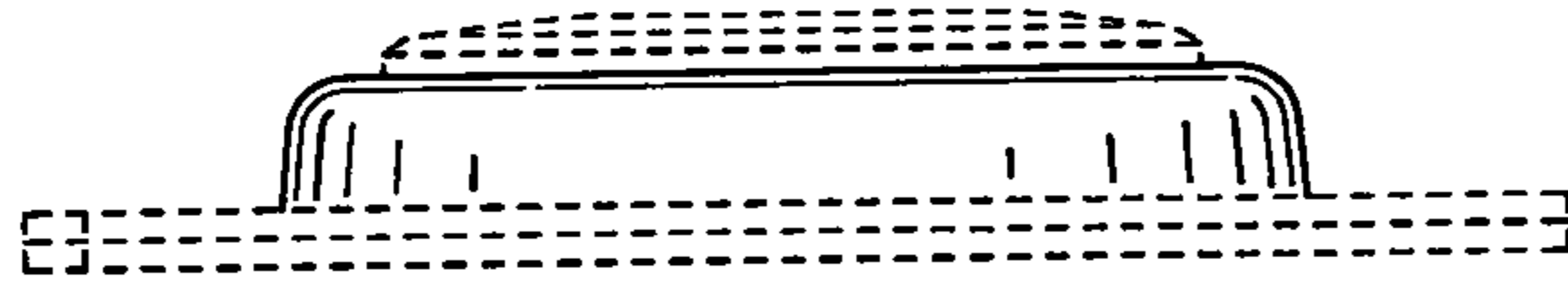


FIG. 2

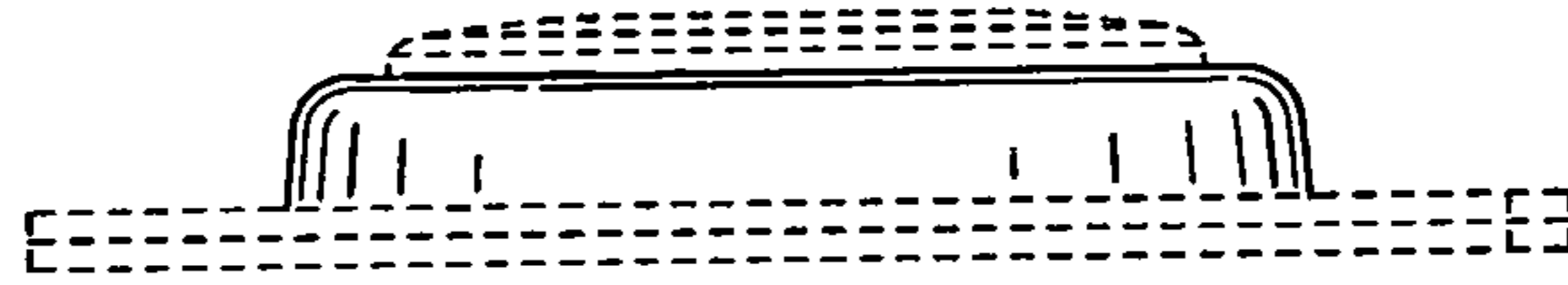


FIG. 3

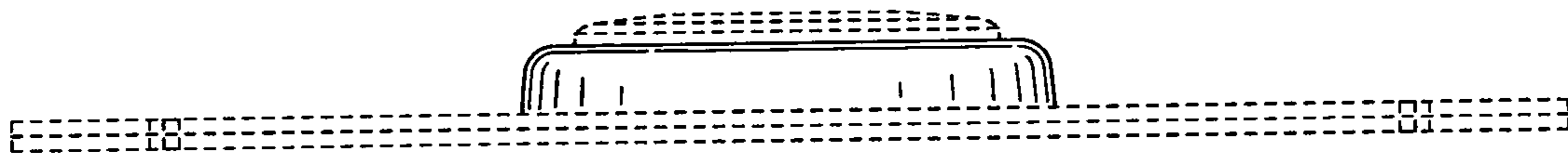


FIG. 4

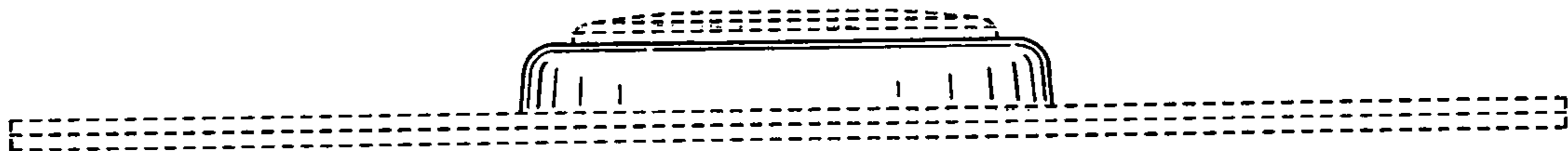


FIG. 5

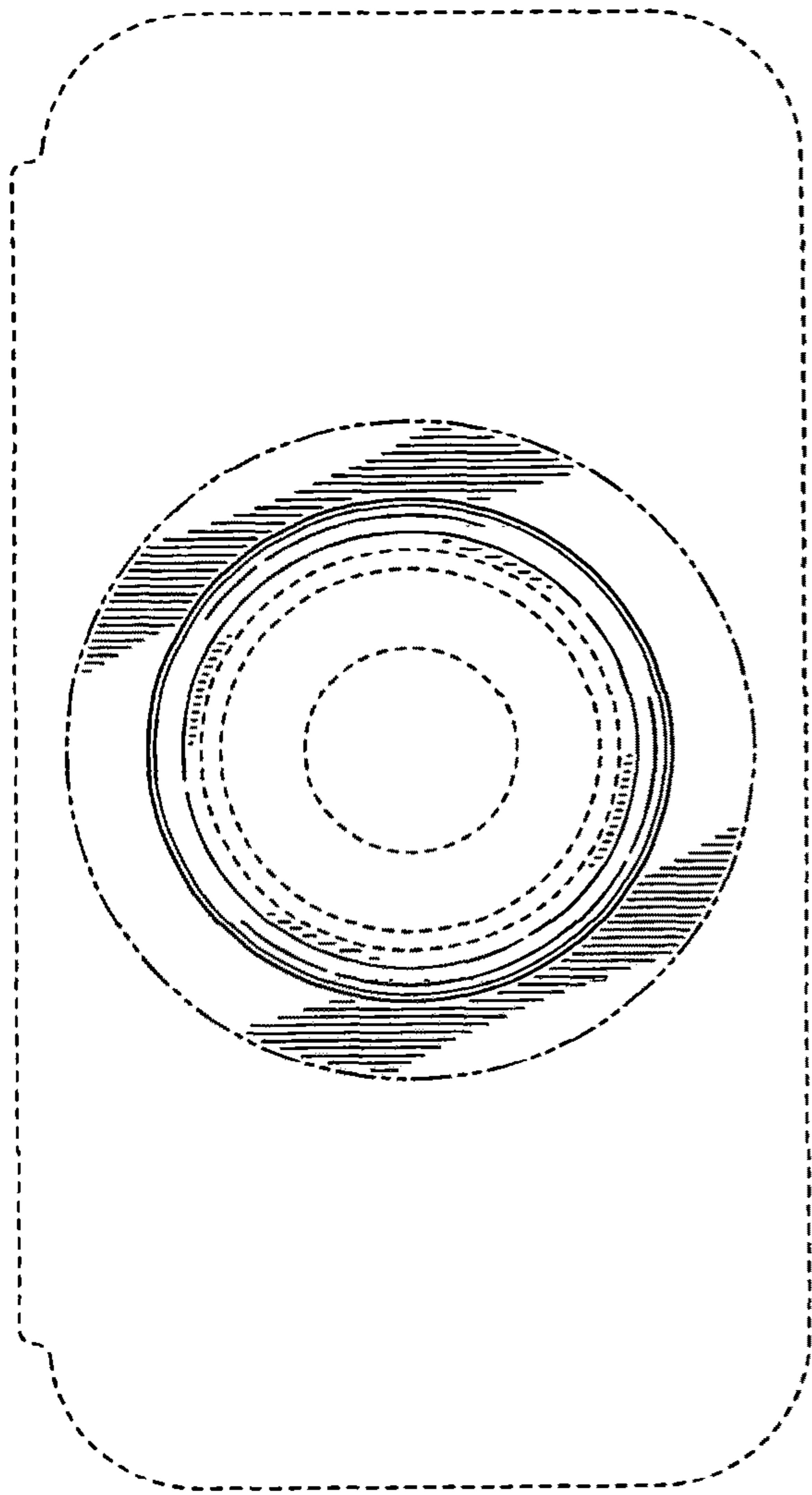


FIG. 6

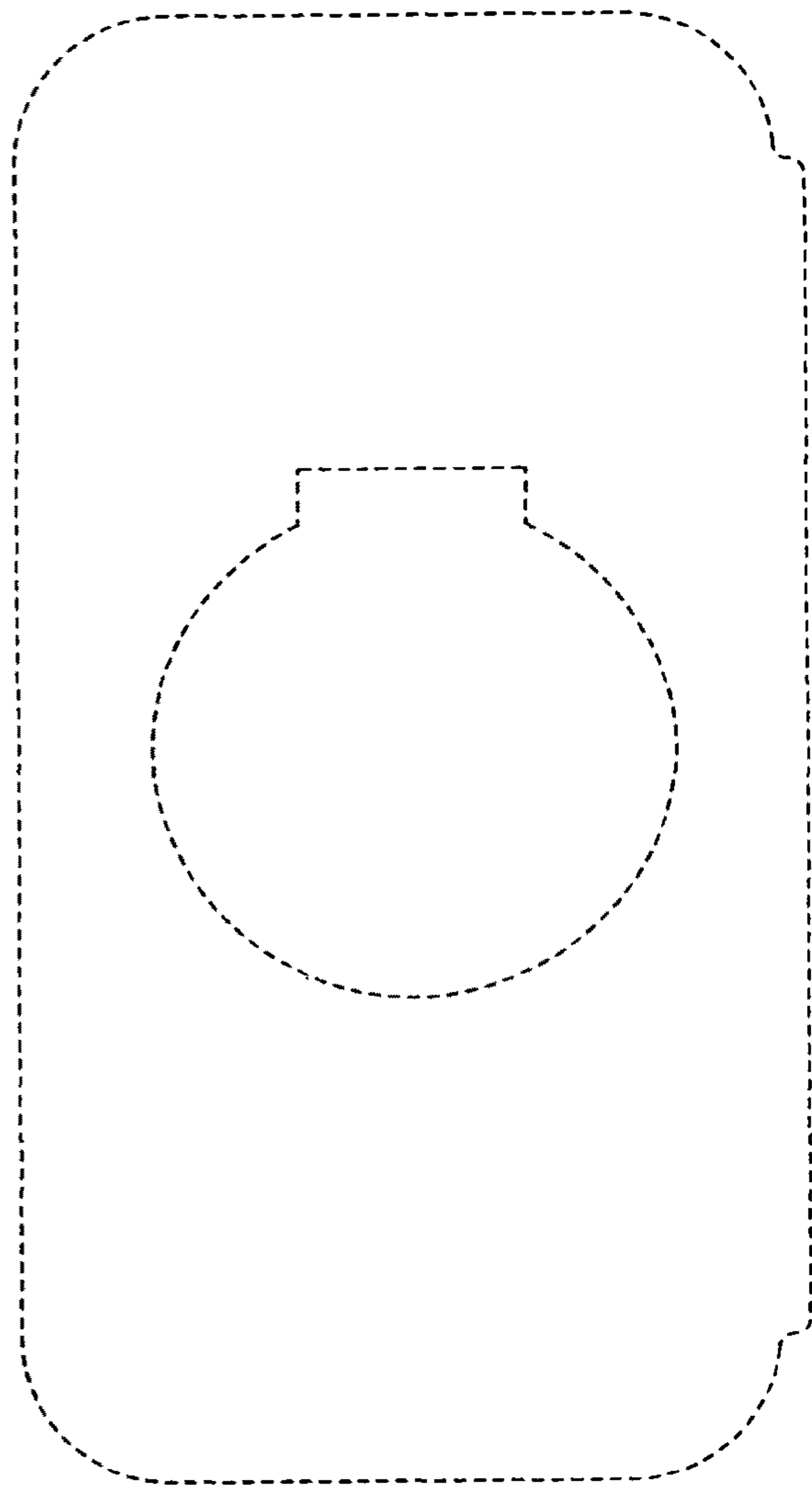


FIG. 7