



US00D966242S

(12) **United States Design Patent** (10) **Patent No.:** **US D966,242 S**
Marco (45) **Date of Patent:** **** Oct. 11, 2022**

(54) **POLE MOUNT**

(71) Applicant: **Hubbell Incorporated**, Shelton, CT (US)

(72) Inventor: **Chris Marco**, San Antonio, TX (US)

(73) Assignee: **Hubbell Incorporated (Delaware)**, Shelton, CT (US)

(**) Term: **15 Years**

(21) Appl. No.: **29/727,461**

(22) Filed: **Mar. 11, 2020**

(51) **LOC (13) Cl.** **14-03**

(52) **U.S. Cl.**
USPC **D14/238**

(58) **Field of Classification Search**
USPC D14/238, 496, 217, 230; D8/349, 354, D8/353, 355, 373, 380, 394, 396
CPC H01Q 1/125; H01Q 1/1228; F16M 13/022
See application file for complete search history.

(56) **References Cited**

U.S. PATENT DOCUMENTS

D213,135 S *	1/1969	Shore	D8/394
6,664,937 B2 *	12/2003	Vermette	H01Q 1/1228
				343/882
D593,079 S *	5/2009	Schmitz	D14/238
7,563,206 B1	7/2009	Bellerive		
D626,118 S *	10/2010	Schmitz	D14/238
D730,331 S	5/2015	Wong et al.		
9,161,110 B1	10/2015	Patsis		
9,512,961 B2 *	12/2016	Kho	F16M 13/02
9,663,962 B1	5/2017	Whittemore		
D798,940 S	10/2017	Costa et al.		
D843,358 S *	3/2019	Davis	D14/238
D915,867 S *	4/2021	Axelsson	D8/349
D942,846 S *	2/2022	Axelsson	D8/382

2015/0286115 A1 *	10/2015	Koch	F16M 13/00
				248/230.4
2020/0185827 A1 *	6/2020	Kaistha	H01Q 1/1228
2020/0321678 A1 *	10/2020	Renilson	H01Q 3/08

OTHER PUBLICATIONS

ActiveLED, "Round Pole Adapter Bracket Kit, Adapts ActiveLED 00-27-0009 Series Square-Pole Brackets for installation on a Large Round, Hexagonal or Octagonal pole," https://www.activeled.com/products/product_details/?=999, 2017, p. 2.
ActiveLED, "Round Pole Mounting Kit—Mounts 1 or 2 ActiveLED Street / Parking / Shoebox / Walkway Lights", https://www.activeled.com/products/product_details/P=805, p. 2.
Axis camera mounting kit, https://www.insight.com/en_US/shop/product/5507-221/AXIS%20COMMUNICATIONS/5507-221/AXIS-camera-mounting-kit/#, 2020, p. 1.

* cited by examiner

Primary Examiner — Keli L Hill

Assistant Examiner — Harold E Blackwell, II

(74) *Attorney, Agent, or Firm* — Ruggiero McAllister & McMahon LLC

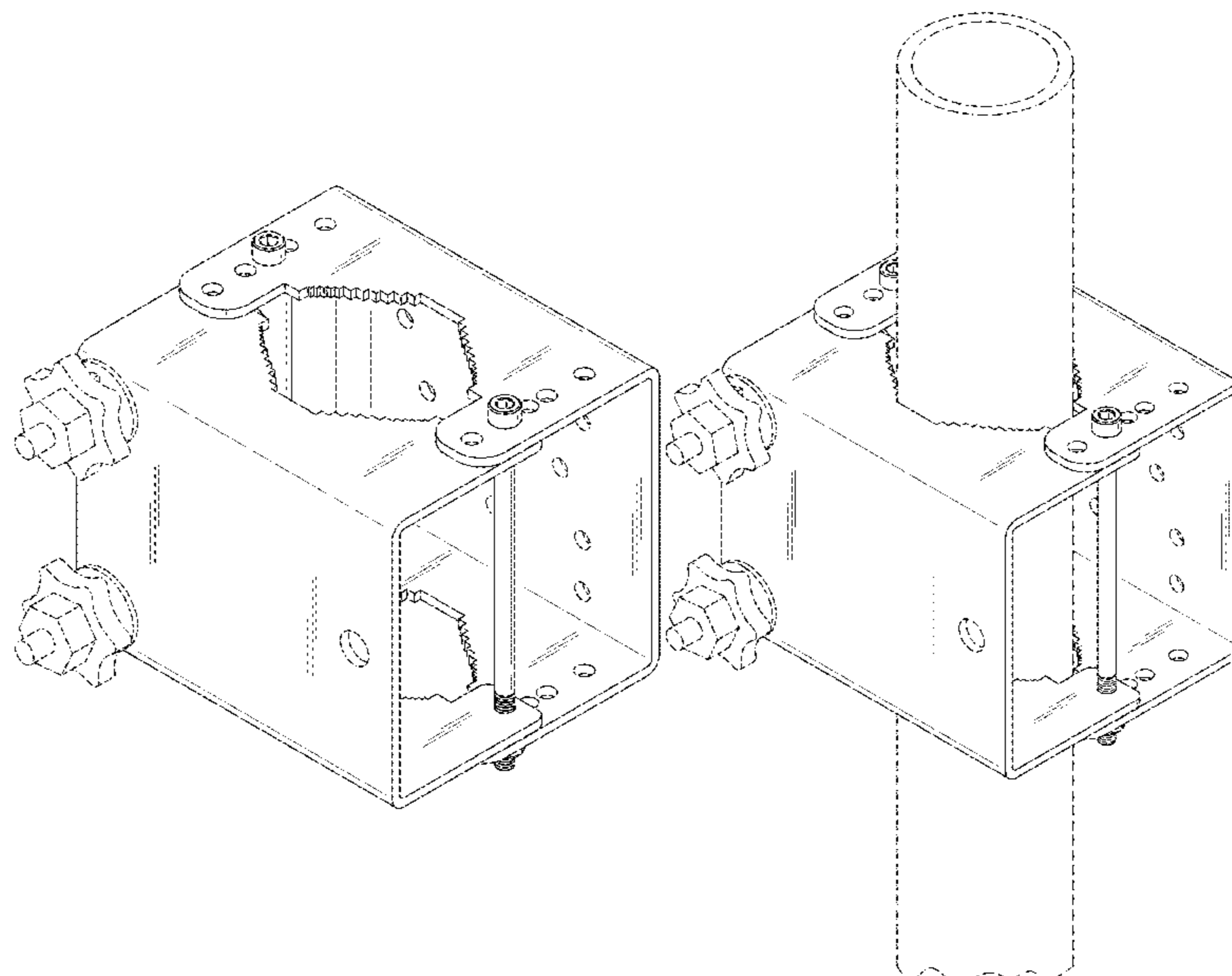
(57) **CLAIM**

The ornamental design for a pole mount, as shown and described.

DESCRIPTION

FIG. 1 is a perspective view of a pole mount showing my new design;
FIG. 2 is a front elevational view thereof;
FIG. 3 is a rear elevational view thereof;
FIG. 4 is a left side elevational view thereof;
FIG. 5 is a right side elevational view thereof;
FIG. 6 is a top plan view thereof;
FIG. 7 is a bottom plan view thereof; and,
FIG. 8 is another perspective view thereof.
The features shown in broken lines form no part of the claimed design.

1 Claim, 5 Drawing Sheets



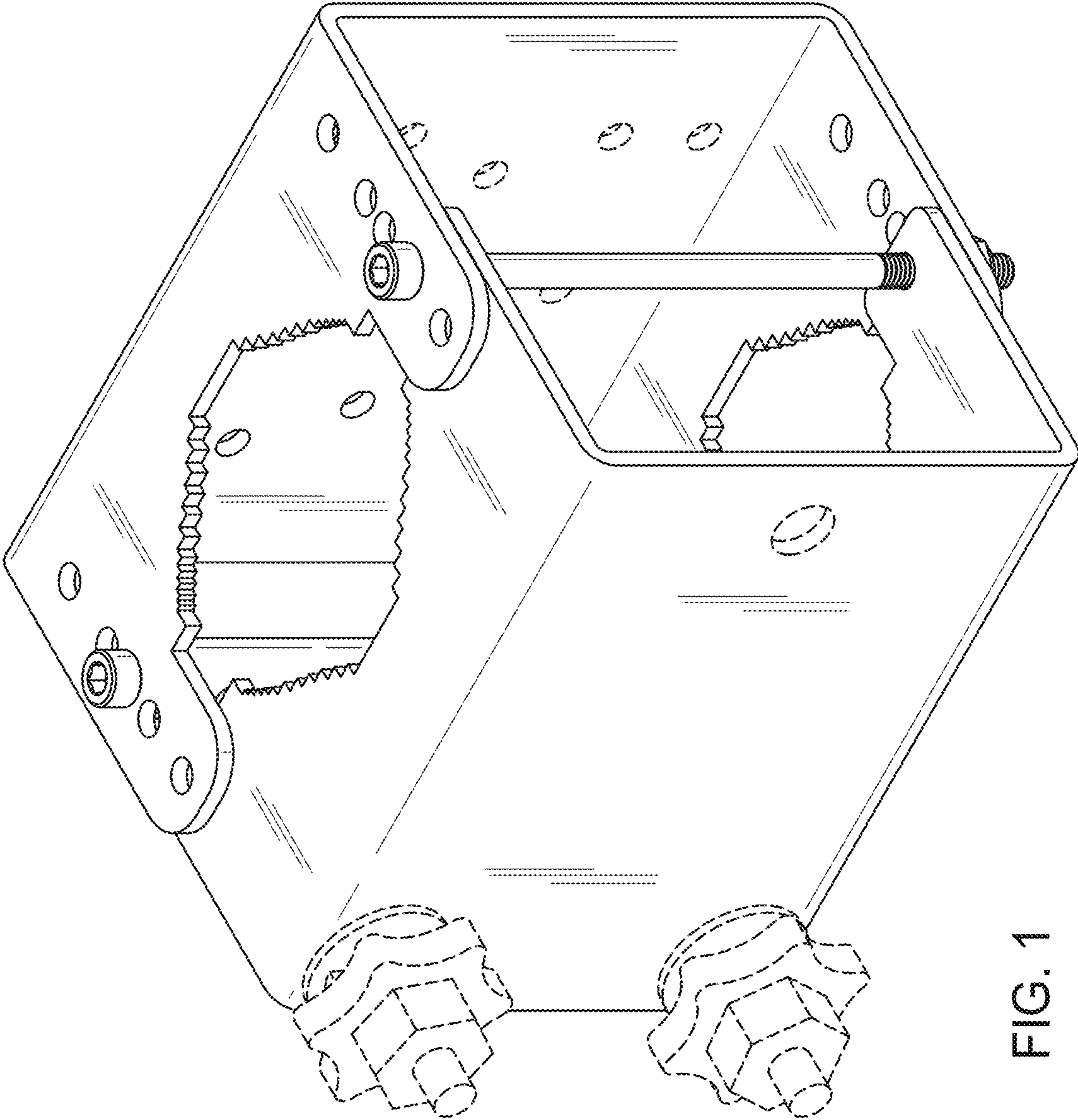


FIG. 1

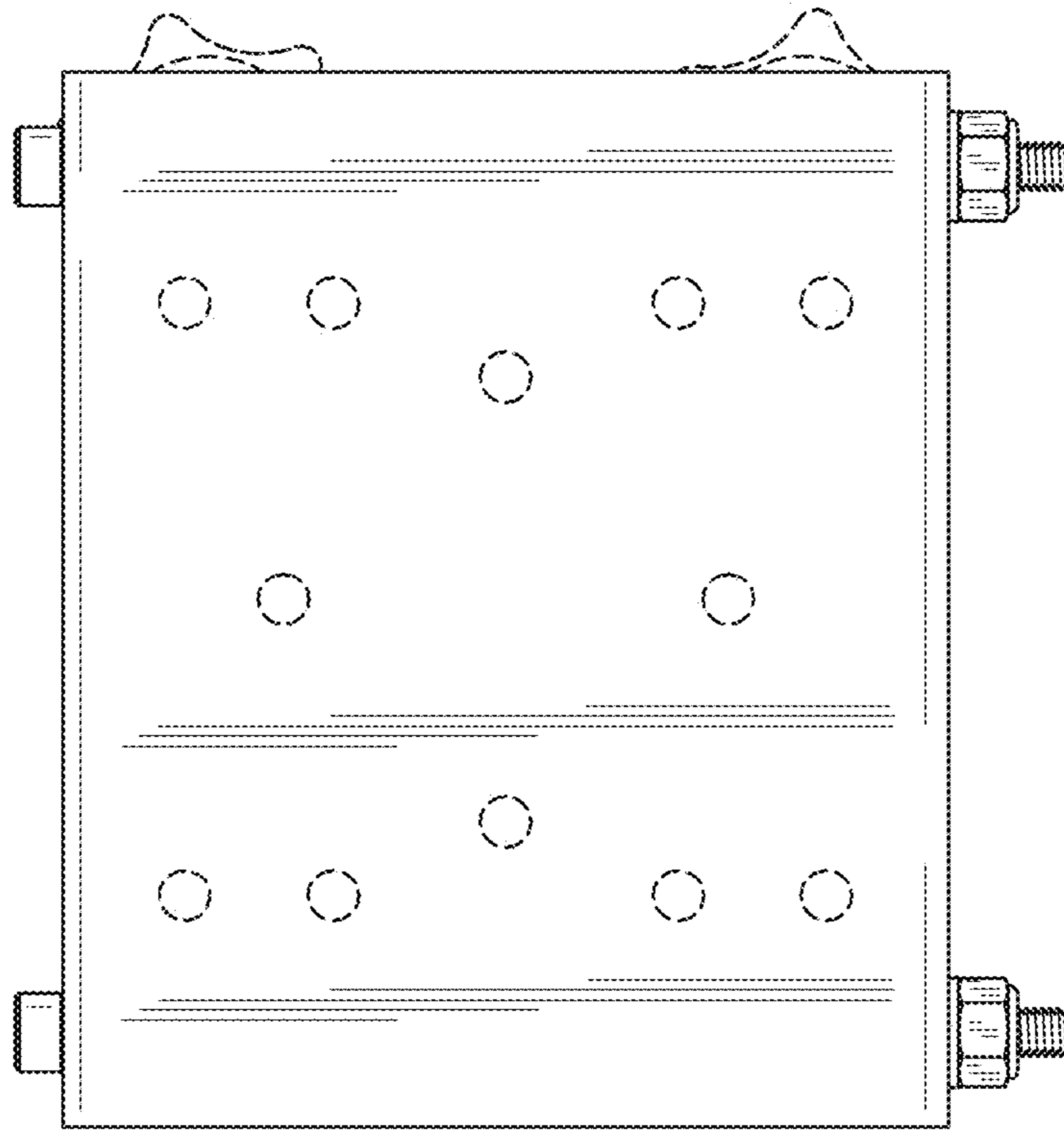


FIG. 3

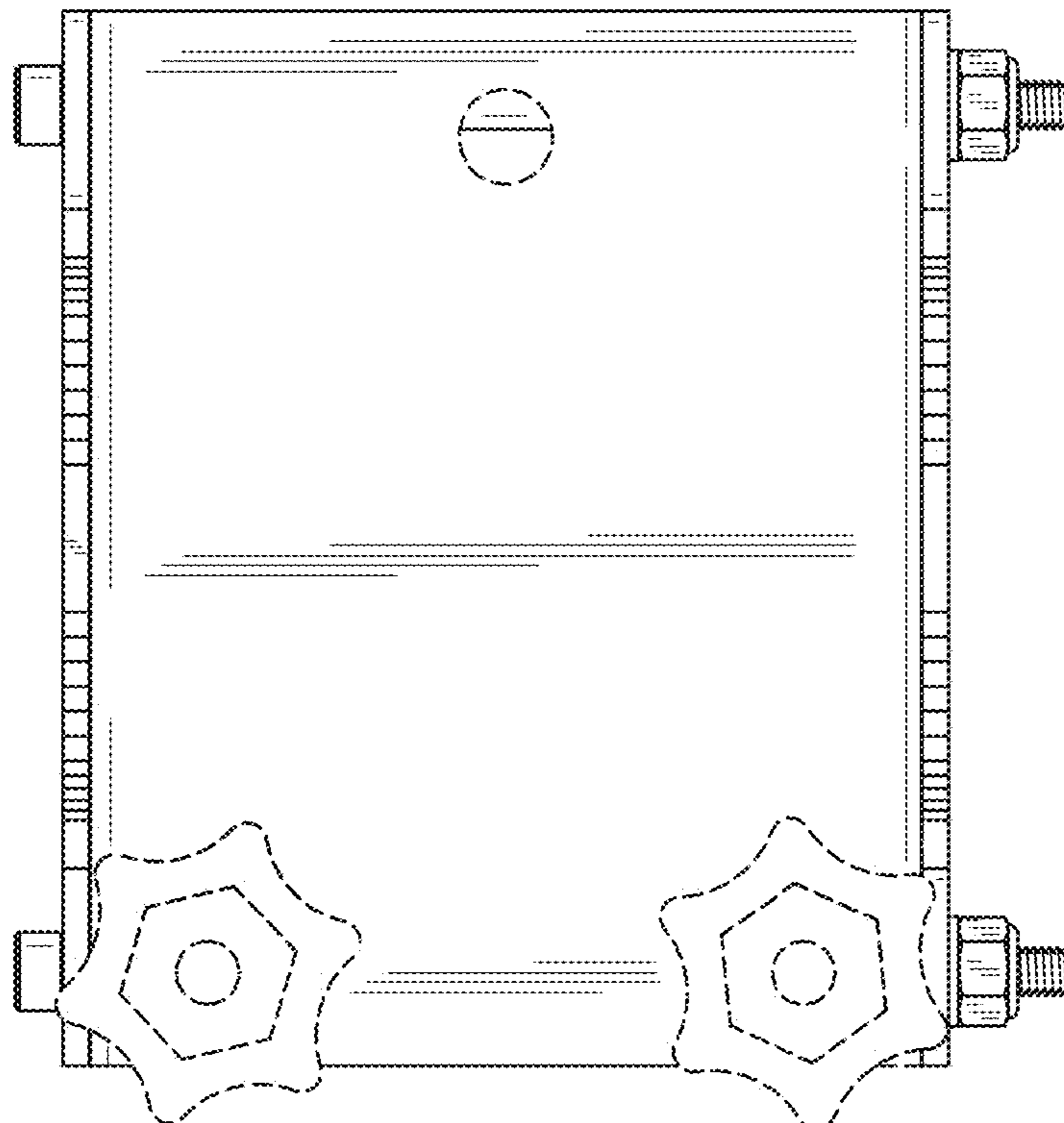


FIG. 2

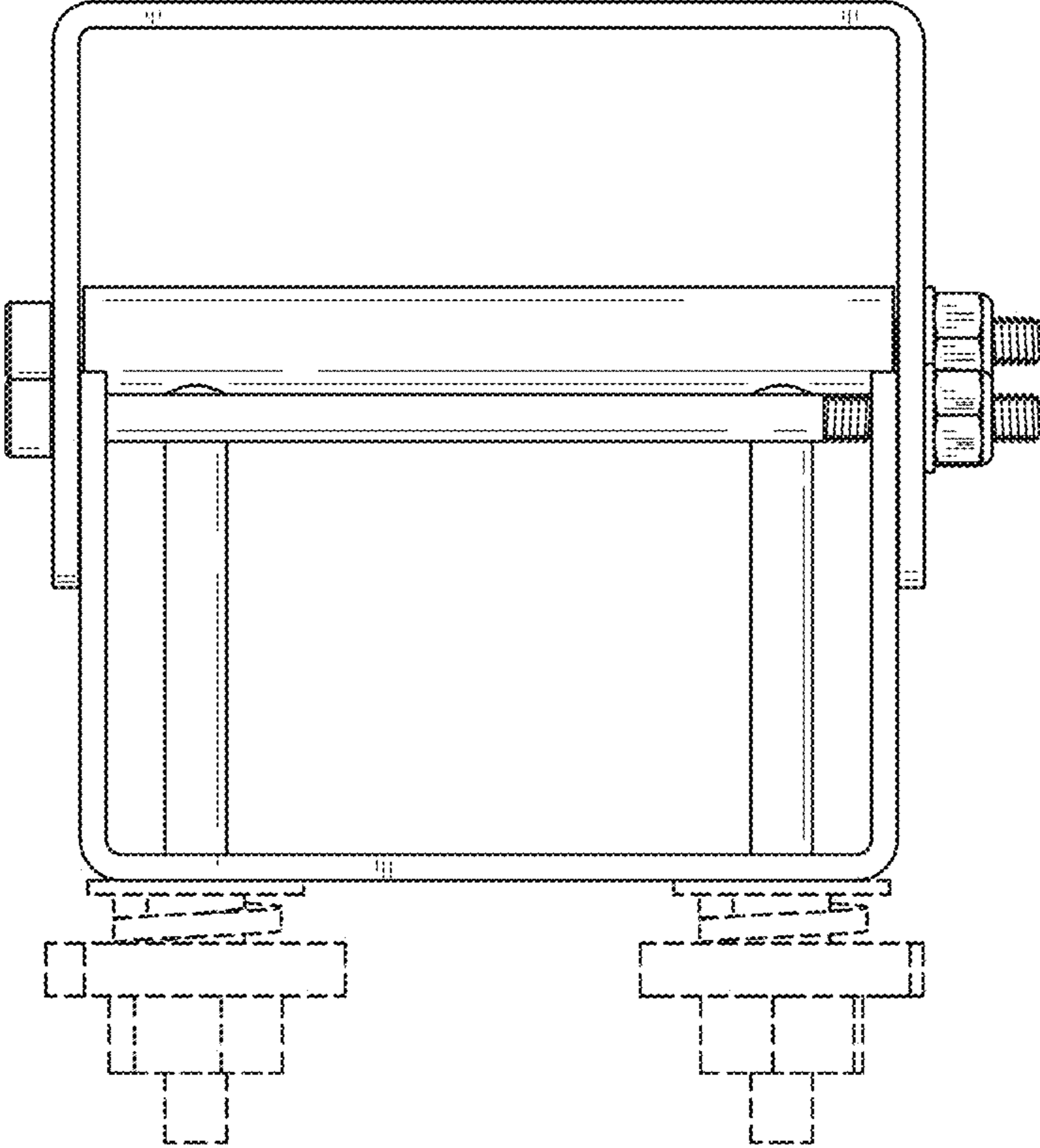


FIG. 4

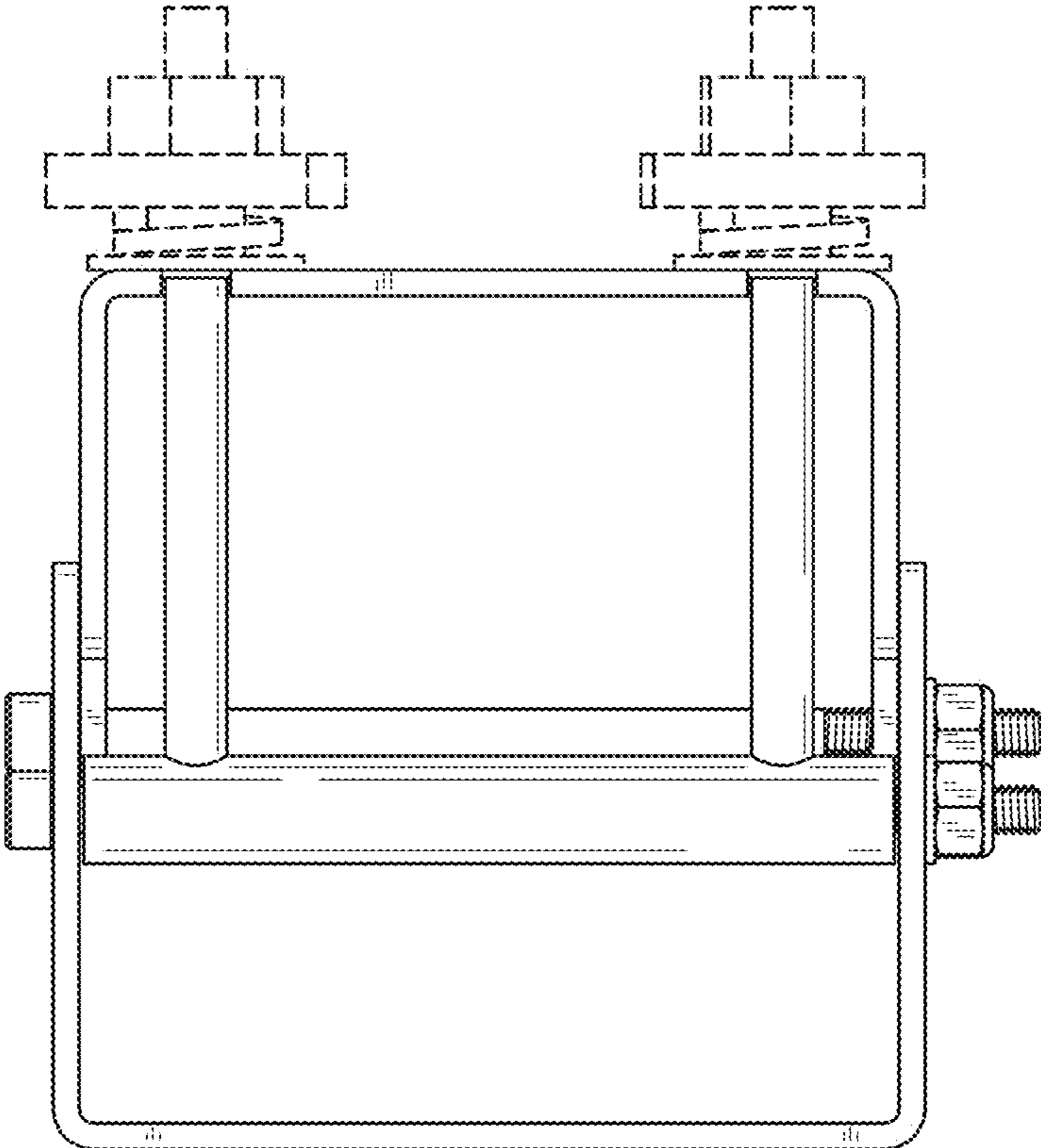


FIG. 5

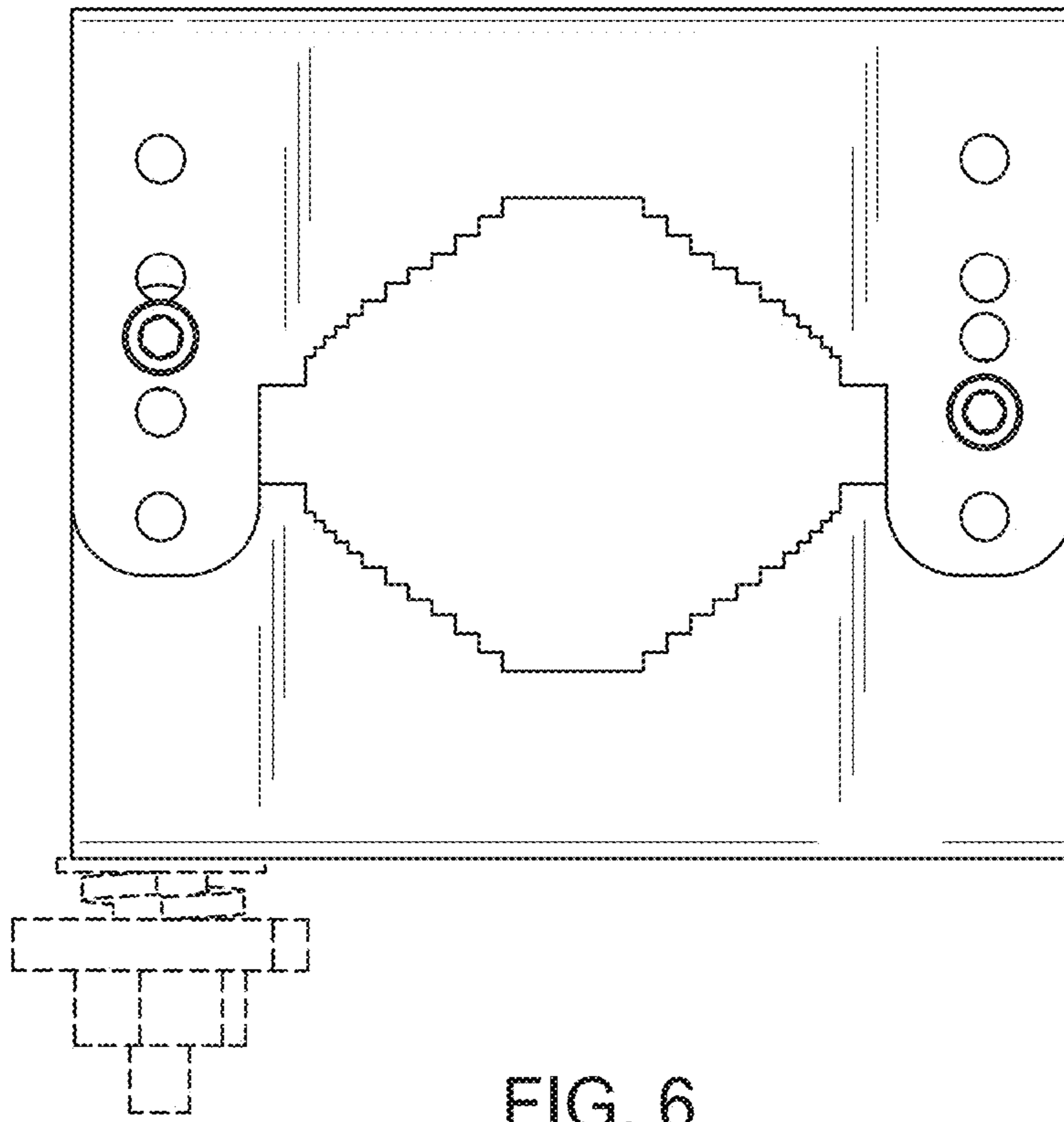


FIG. 6

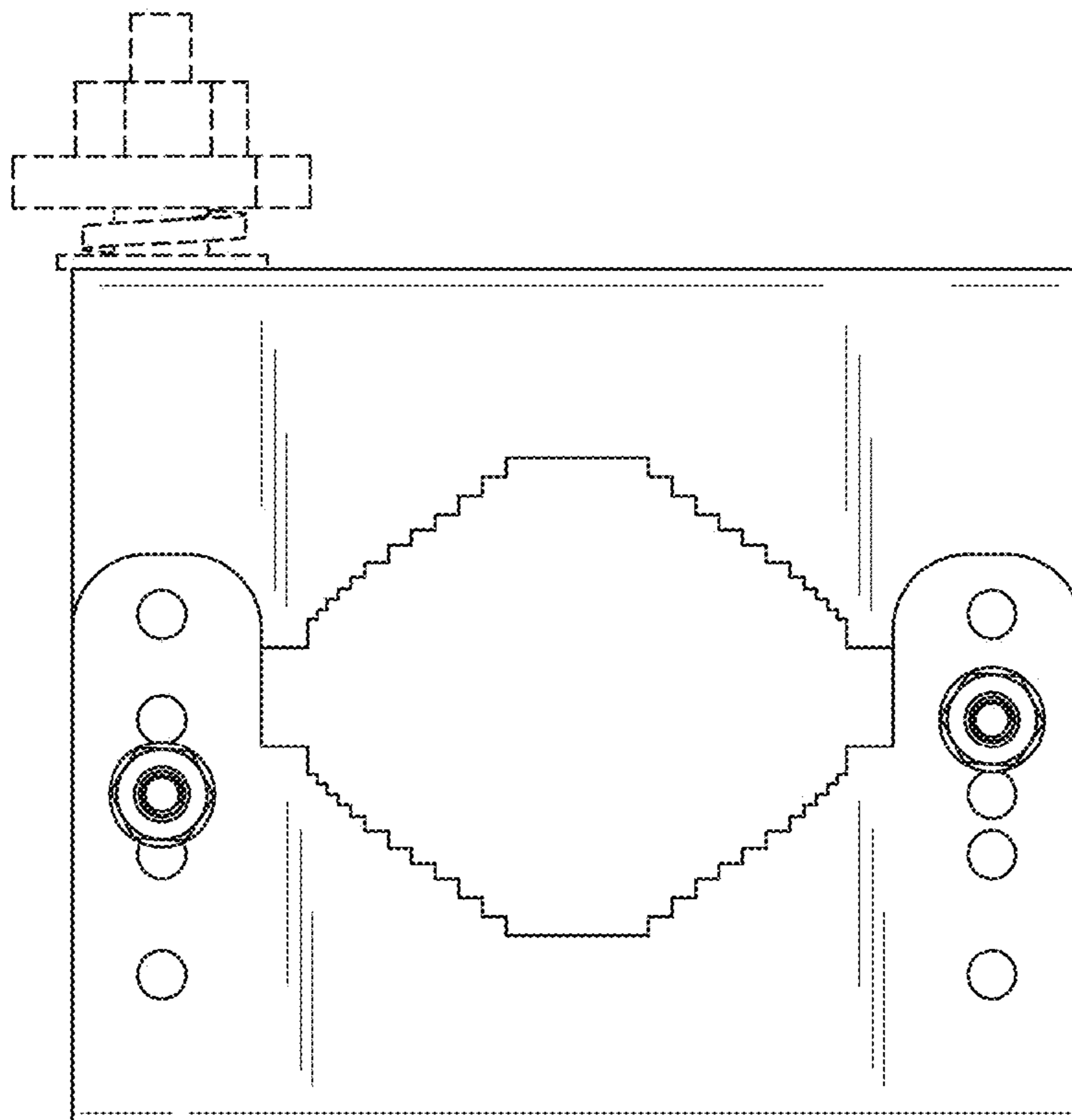


FIG. 7

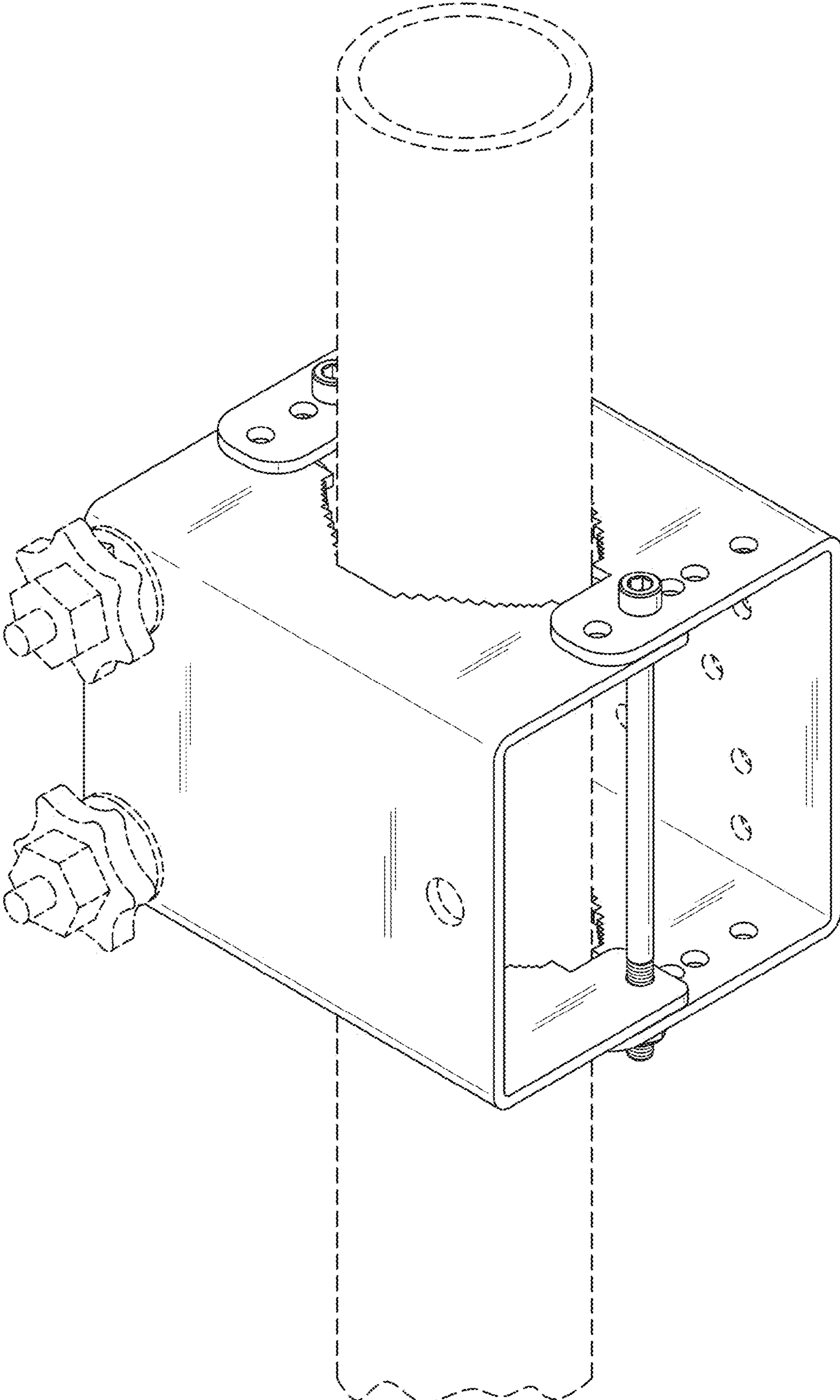


FIG. 8