



US00D966240S

(12) **United States Design Patent**
Kim et al.

(10) **Patent No.:** **US D966,240 S**

(45) **Date of Patent:** **** Oct. 11, 2022**

(54) **ANTENNA**

(71) Applicant: **KMW INC.**, Hwaseong-si (KR)

(72) Inventors: **Duk Yong Kim**, Yongin-si (KR); **Kyu Chul Choi**, Hwaseong-si (KR); **In Hwa Choi**, Yongin-si (KR); **Youn Jun Cho**, Hwaseong-si (KR); **Jae Hyun Park**, Hwaseong-si (KR); **Kyo Sung Ji**, Hwaseong-si (KR); **Hye Yeon Kim**, Hwaseong-si (KR); **Chi Back Ryu**, Hwaseong-si (KR); **Jeong Hyun Choi**, Hwaseong-si (KR)

(73) Assignee: **KMW INC.**, Hwaseong-si (KR)

(**) Term: **15 Years**

(21) Appl. No.: **29/755,309**

(22) Filed: **Oct. 19, 2020**

(30) **Foreign Application Priority Data**

Apr. 20, 2020 (KR) 30-2020-0017455

(51) **LOC (13) Cl.** **14-03**

(52) **U.S. Cl.**
USPC **D14/230**

(58) **Field of Classification Search**
USPC D14/218, 230, 231-238; D8/32, 377;
D25/41.1, 43, 119; D23/227, 219, 136,
D23/266, 267
CPC H04R 1/02; H04R 1/025; H04R 1/026;
H04R 1/028; H04R 1/34; H04R 1/40;
H04R 1/323; H04R 1/403; G06F 1/1688;
G10K 9/22; G10K 11/004
See application file for complete search history.

(56) **References Cited**

U.S. PATENT DOCUMENTS

D292,914 S * 11/1987 Moeller D13/184
D308,203 S * 5/1990 Kosugi D14/230

D311,911 S * 11/1990 Ueno D14/242
D316,546 S * 4/1991 Pedinielli D14/242
D334,553 S * 4/1993 Kobayashi D14/242
D382,539 S * 8/1997 Kornblum D13/123

(Continued)

FOREIGN PATENT DOCUMENTS

CN 302716315 S 1/2014
CN 305973428 * 8/2020

(Continued)

OTHER PUBLICATIONS

Duracell, 1200W Ultra High Power Inverter, available at BestBuy.com, oldest review date 2019, site visited Apr. 4, 2022, available at URL: <https://www.bestbuy.com/site/duracell-1200w-ultra-high-power-inverter-with-usb-charge-port-black/6168416.p?skuId=6168416> (Year: 2019).*

(Continued)

Primary Examiner — Daniel J Domino

Assistant Examiner — Samina Vieth

(74) *Attorney, Agent, or Firm* — Insight Law Group, PLLC; Seung Lee

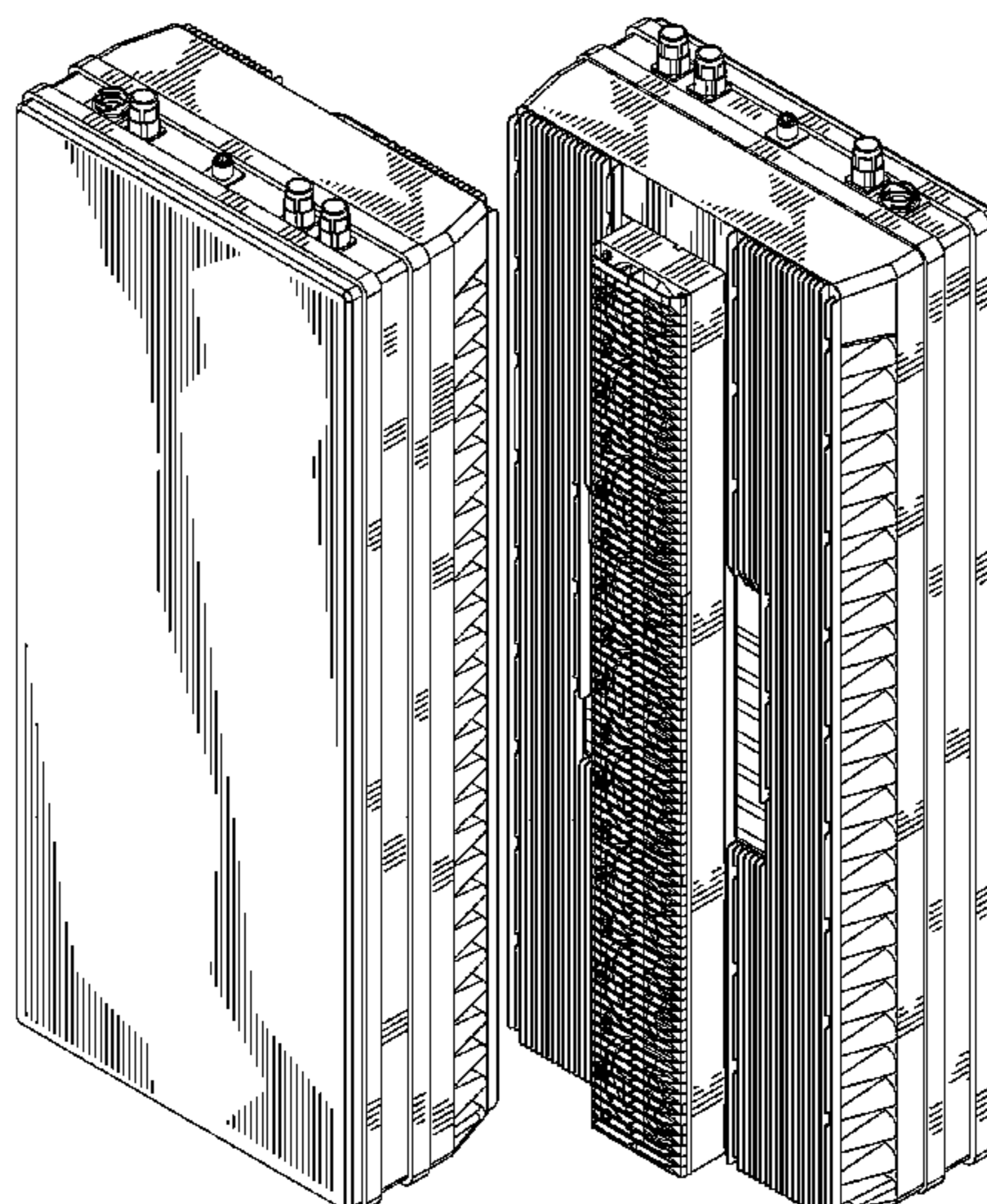
(57) **CLAIM**

We claim the ornamental design for the antenna, as shown and described.

DESCRIPTION

FIG. 1 is a front perspective view of an antenna showing our new design;
FIG. 2 is a front view thereof;
FIG. 3 is a rear view thereof;
FIG. 4 is a left-side view thereof;
FIG. 5 is a right-side view thereof;
FIG. 6 is a top view thereof;
FIG. 7 is a bottom view thereof; and,
FIG. 8 is a rear perspective view thereof.

1 Claim, 8 Drawing Sheets



US D966,240 S

Page 2

(56)

References Cited

U.S. PATENT DOCUMENTS

D387,762 S * 12/1997 Mandel D14/191
D422,999 S * 4/2000 Overton D14/230
D425,068 S * 5/2000 Melin D14/230
D435,251 S * 12/2000 Overton D14/230
D458,228 S * 6/2002 Jacobson D13/152
7,535,716 B2 * 5/2009 Fischer H04Q 1/10
174/50.54
D641,344 S * 7/2011 Thomas D14/242
8,879,267 B2 * 11/2014 Henry H04L 12/6418
361/709
D724,535 S * 3/2015 Wang D13/110
D726,144 S * 4/2015 Kang D14/204
D735,674 S * 8/2015 Miyazaki D13/147
10,018,792 B2 * 7/2018 Kim G02B 6/4261
D842,835 S * 3/2019 Lehman D14/188
D852,158 S * 6/2019 Tani D14/147
D891,408 S * 7/2020 Kwak D14/240
11,081,777 B2 * 8/2021 Kim H05K 9/0024
D933,191 S * 10/2021 Shimada D23/385

11,233,308 B2 * 1/2022 Kim H01Q 1/405
11,266,041 B2 * 3/2022 Kim H05K 5/03
2020/0028237 A1 * 1/2020 Kim H01Q 3/267

FOREIGN PATENT DOCUMENTS

CN 306328749 * 2/2021
CN 306687007 * 7/2021
GB 900517-4026-0001 * 4/2018
JP 1344792 S 10/2008
JP D1460598 * 1/2013

OTHER PUBLICATIONS

Duralast, Radiator A1494, available at [autozone.com](https://www.autozone.com), oldest review date 2020, site visited Apr. 4, 2022, available at URL: <https://bit.ly/3DJRP3t> (Year: 2020).
Notice of Allowance dated Apr. 27, 2021 for Japanese Design Application No. 2020-022187.

* cited by examiner

FIG. 1

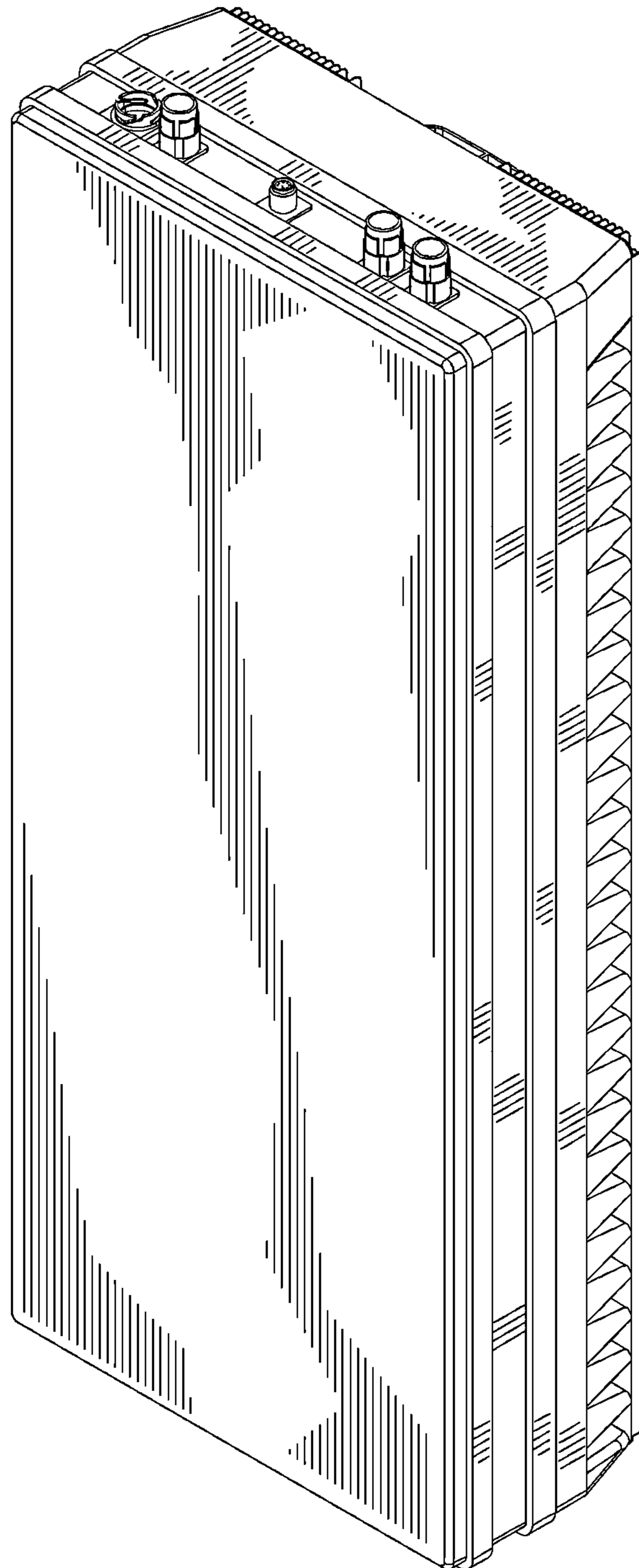


FIG. 2

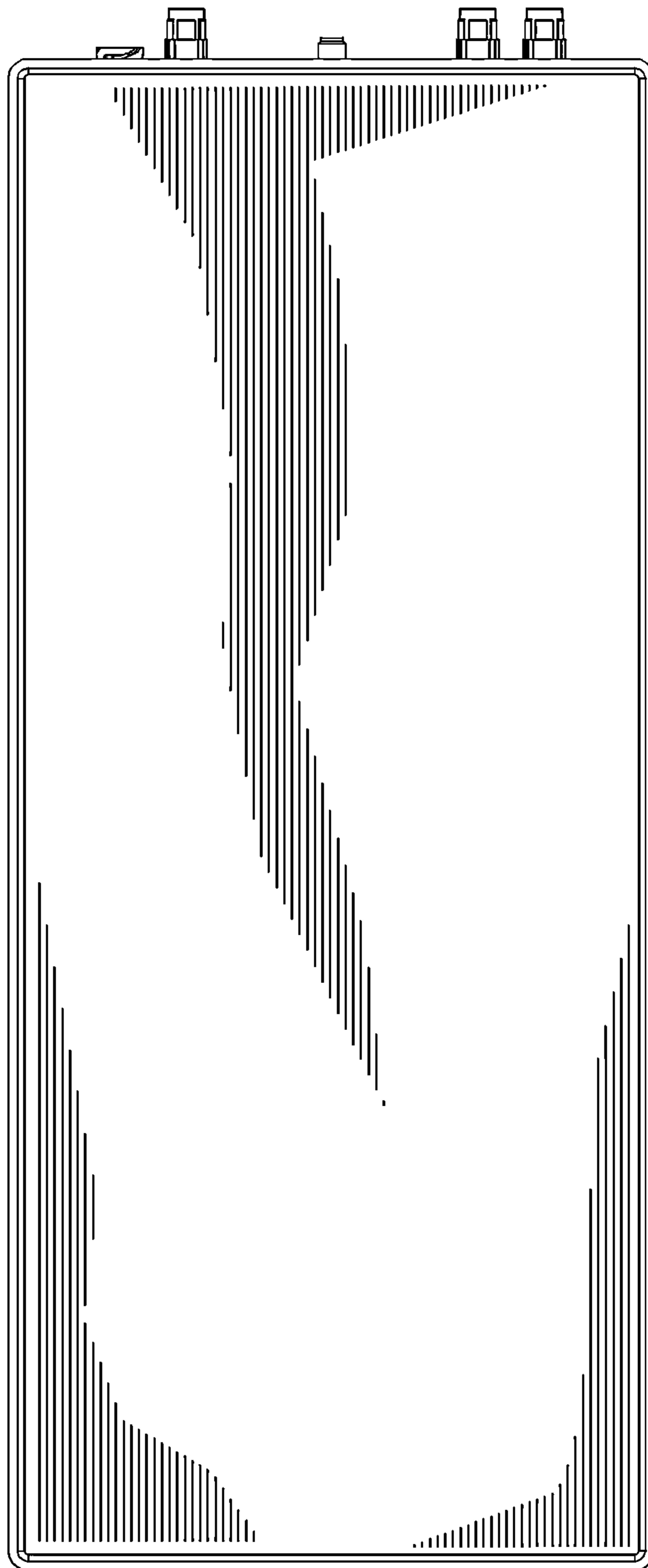


FIG. 3

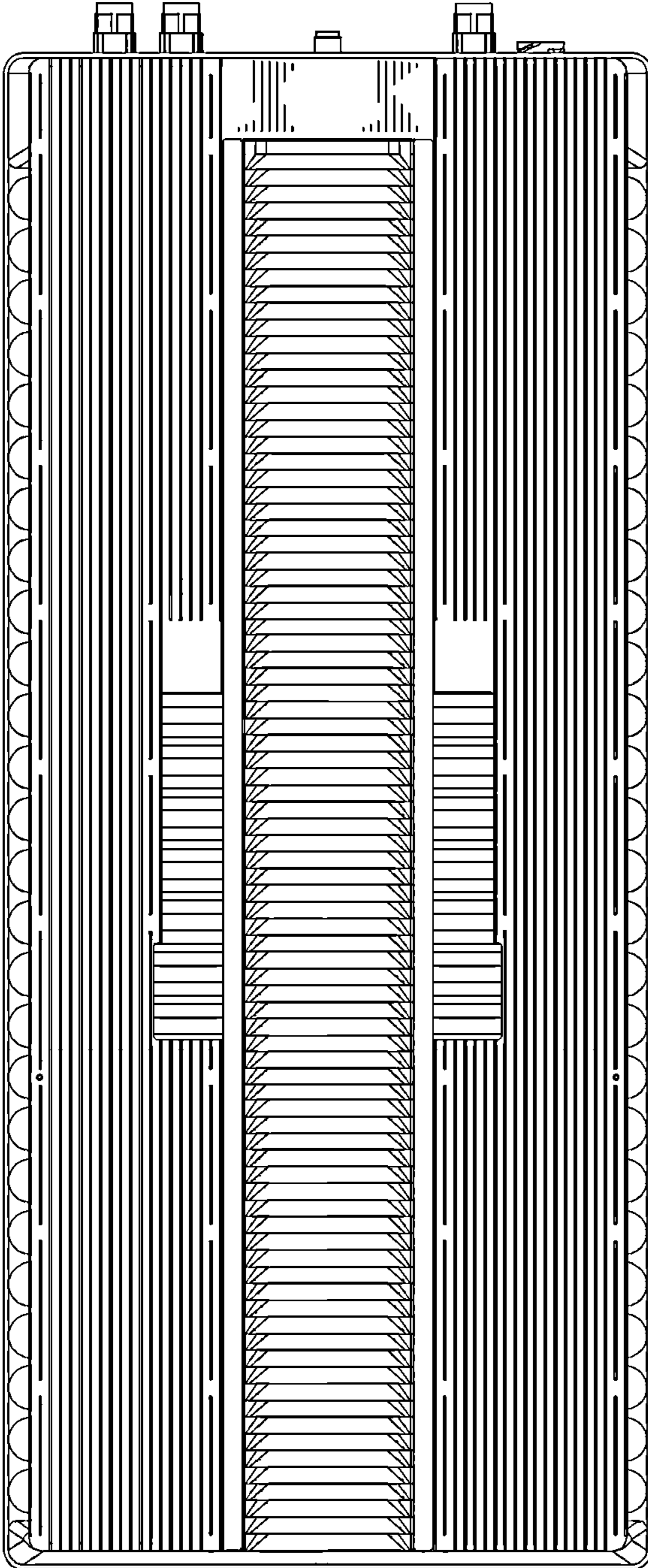


FIG. 4

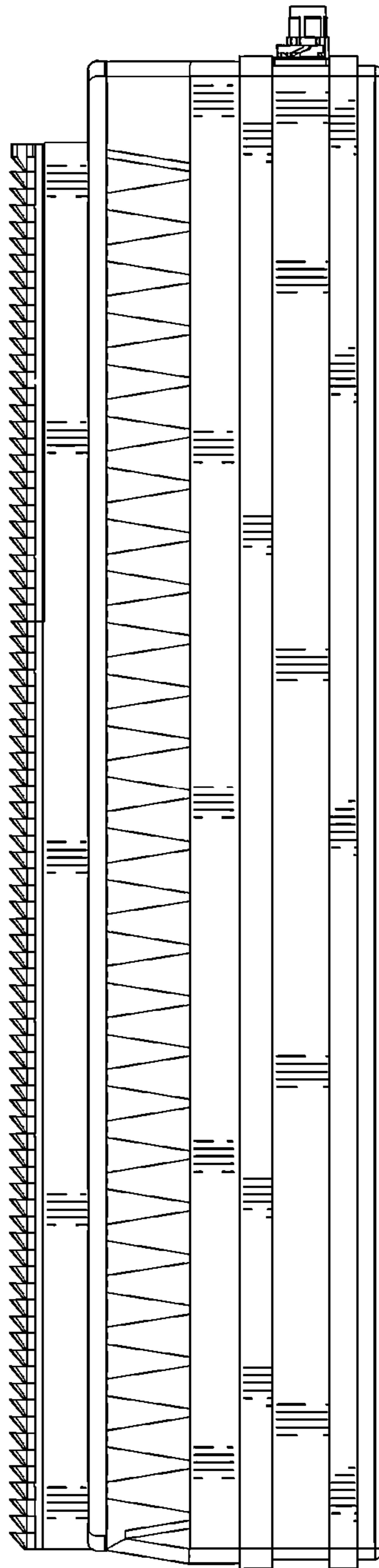


FIG. 5

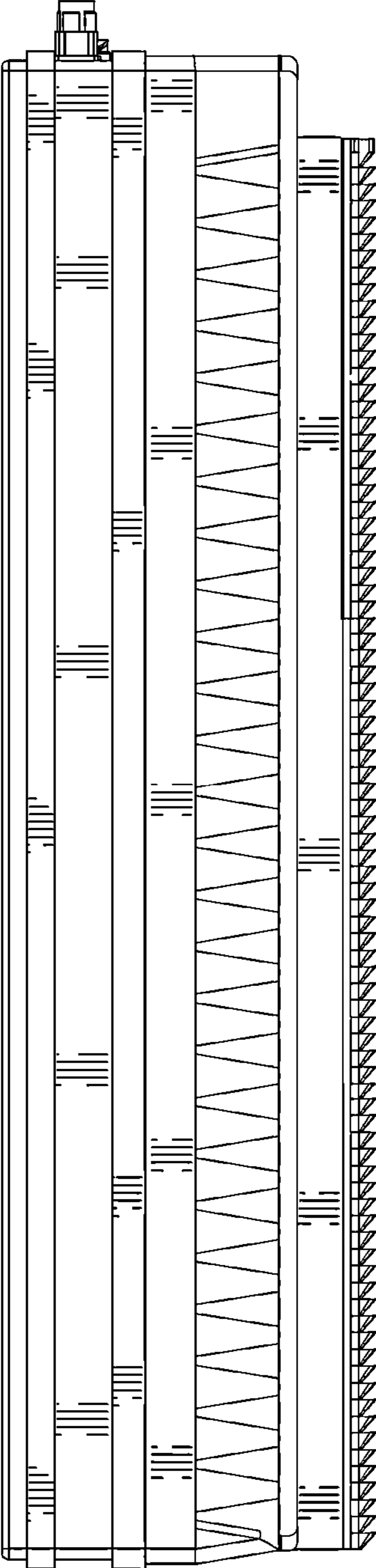


FIG. 6

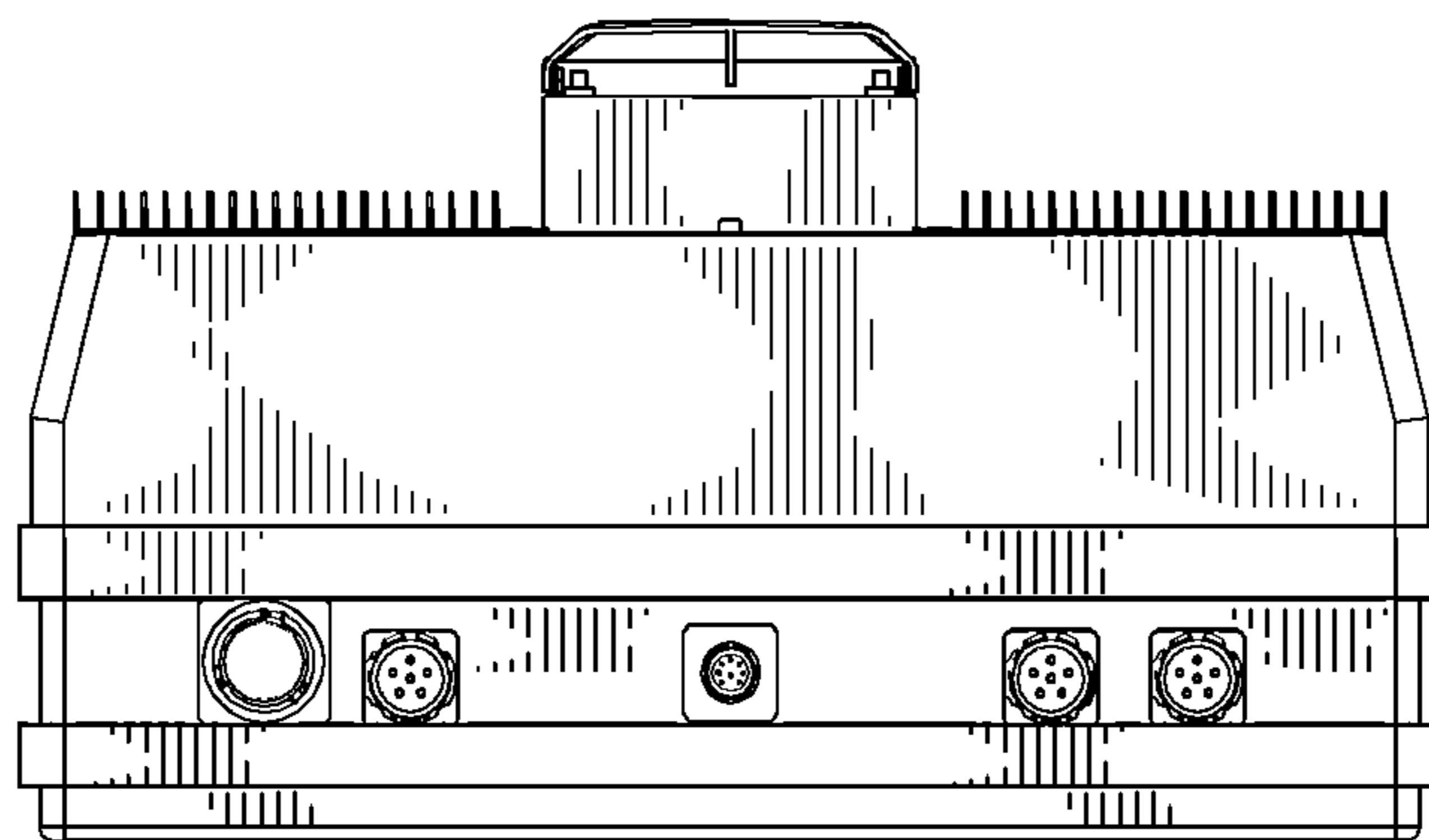


FIG. 7

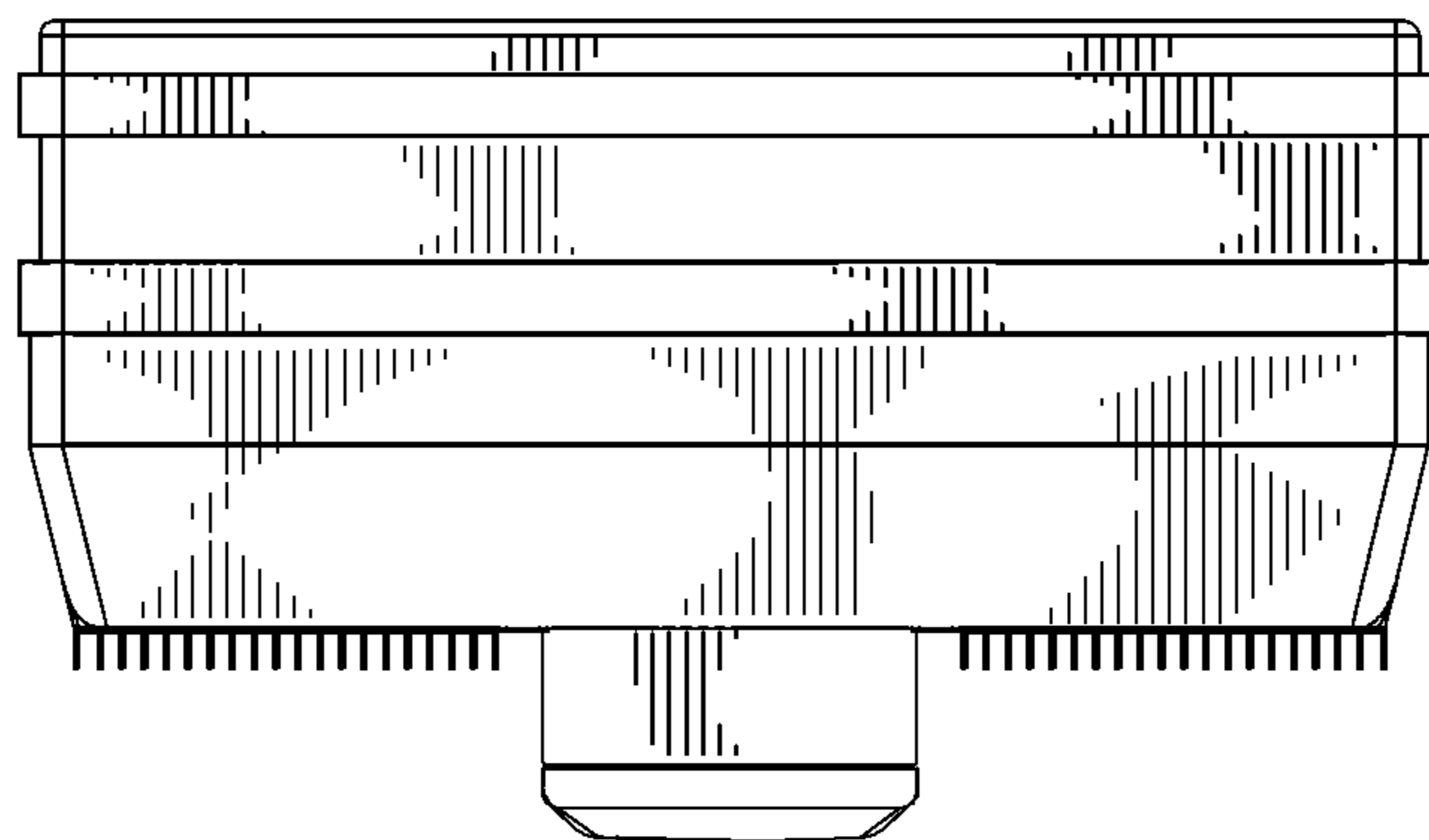


FIG. 8

