



US00D966239S

(12) **United States Design Patent** (10) **Patent No.:** **US D966,239 S**
Wise et al. (45) **Date of Patent:** **** *Oct. 11, 2022**

(54) **MICROPHONE**

(71) Applicant: **VOYETRA TURTLE BEACH, INC.**,
White Plains, NY (US)

(72) Inventors: **Bernard Wise**, Agoura Hills, CA (US);
David Angress, Agoura Hills, CA (US)

(73) Assignee: **Voyetra Turtle Beach, Inc.**, White
Plains, NY (US)

(*) Notice: This patent is subject to a terminal dis-
claimer.

(**) Term: **15 Years**

(21) Appl. No.: **29/743,928**

(22) Filed: **Jul. 24, 2020**

(51) **LOC (13) Cl.** **14-01**

(52) **U.S. Cl.**
USPC **D14/227**

(58) **Field of Classification Search**
USPC D9/434, 600; D14/150, 154, 155, 158,
D14/160, 172, 186, 188, 204, 209.1, 214,
(Continued)

(56) **References Cited**

U.S. PATENT DOCUMENTS

D171,055 S * 12/1953 Schell, Jr. D14/225
3,488,456 A * 1/1970 Maki H04R 1/08
381/92

(Continued)

OTHER PUBLICATIONS

[Neat Skyline—Black], available in Amazon.com, N/A [online],
[site visited Oct. 26, 2021], Available from the internet URL:
[https://www.turtlebeach.com/products/black-neat-skyline-usb-](https://www.turtlebeach.com/products/black-neat-skyline-usb-microphone)
microphone (Year: 2021).*

(Continued)

Primary Examiner — Khawaja Anwar

Assistant Examiner — Megan Tiana Rakos

(74) *Attorney, Agent, or Firm* — Sheppard Mullin Richter
& Hampton LLP

(57) **CLAIM**

What is claimed is the ornamental design for a microphone,
as shown and described.

DESCRIPTION

FIG. 1 is a top front left perspective view of the microphone
showing our new design. The broken line showing of the
side and bottom panel is for the purpose of illustrating the
curvature of the device and forms no part of the claimed
design.

FIG. 2 is a bottom back right perspective view thereof. The
broken line showing of the side and bottom panel is for the
purpose of illustrating the curvature of the device and forms
no part of the claimed design.

FIG. 3 is a front view thereof. The broken line showing of
the side and bottom panel is for the purpose of illustrating
the curvature of the device and forms no part of the claimed
design.

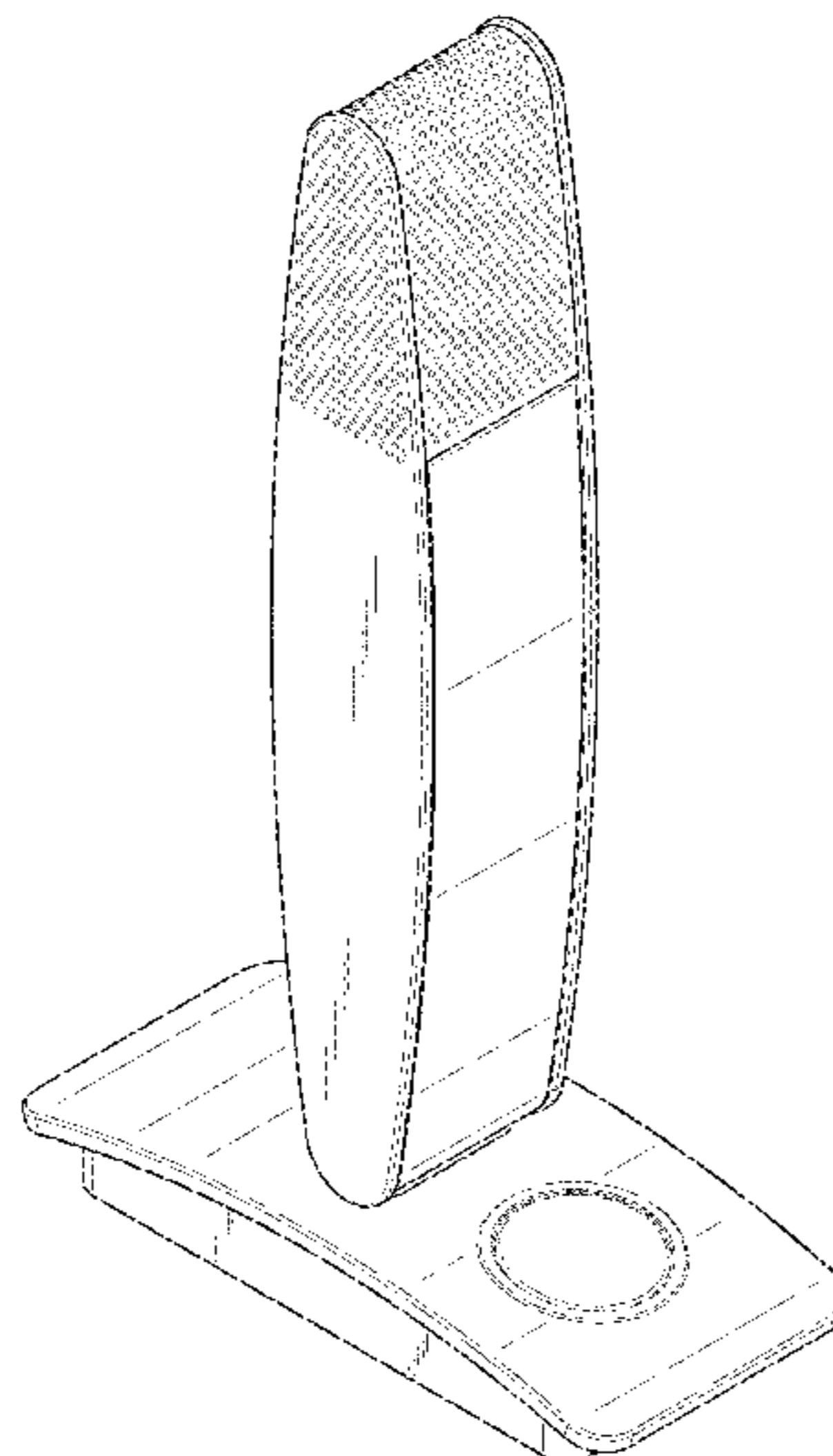
FIG. 4 is a back view thereof. The broken line showing of
the side and bottom panel is for the purpose of illustrating
the curvature of the device and forms no part of the claimed
design.

FIG. 5 is a left view thereof, with the right side view being
a mirror image. The broken line showing of the side view is
for the purpose of illustrating the curvature of the device and
forms no part of the claimed design.

FIG. 6 is a top view thereof. The top and bottom transverse
borders reflect curved sides as illustrated in FIG. 1. The
broken line showing of the bottom panel is for the purpose
of illustrating the curvature of the device and forms no part
of the claimed design; and,

FIG. 7 is a bottom view thereof. The broken line showing of
the bottom of the microphone is for the purpose of illus-
trating the curvature of the device and forms no part of the
claimed design.

1 Claim, 5 Drawing Sheets



(58) **Field of Classification Search**

USPC D14/218, 221, 224–229, 239, 240, 245,
D14/497; D17/99; D19/189; D21/324,
D21/331, 332, 513

CPC ... H04R 1/02; H04R 1/04; H04R 1/08; H04R
1/021; H04R 1/026; H04R 1/46; H04R
1/222; H04R 11/04; H04R 9/08; H04R
17/02; H04R 3/00

See application file for complete search history.

(56) **References Cited**

U.S. PATENT DOCUMENTS

D247,561 S * 3/1978 Peterson D14/227
D475,040 S * 5/2003 LaPoint D14/227
D605,637 S * 12/2009 Sank D14/227
D747,296 S * 1/2016 Wise D14/227

OTHER PUBLICATIONS

[Neat Skyline—White], available in Amazon.com, N/A [online],
[site visited Oct. 26, 2021], Available from the internet URL:
<https://www.turtlebeach.com/products/white-neat-skyline-usb-microphone> (Year: 2021).*

* cited by examiner

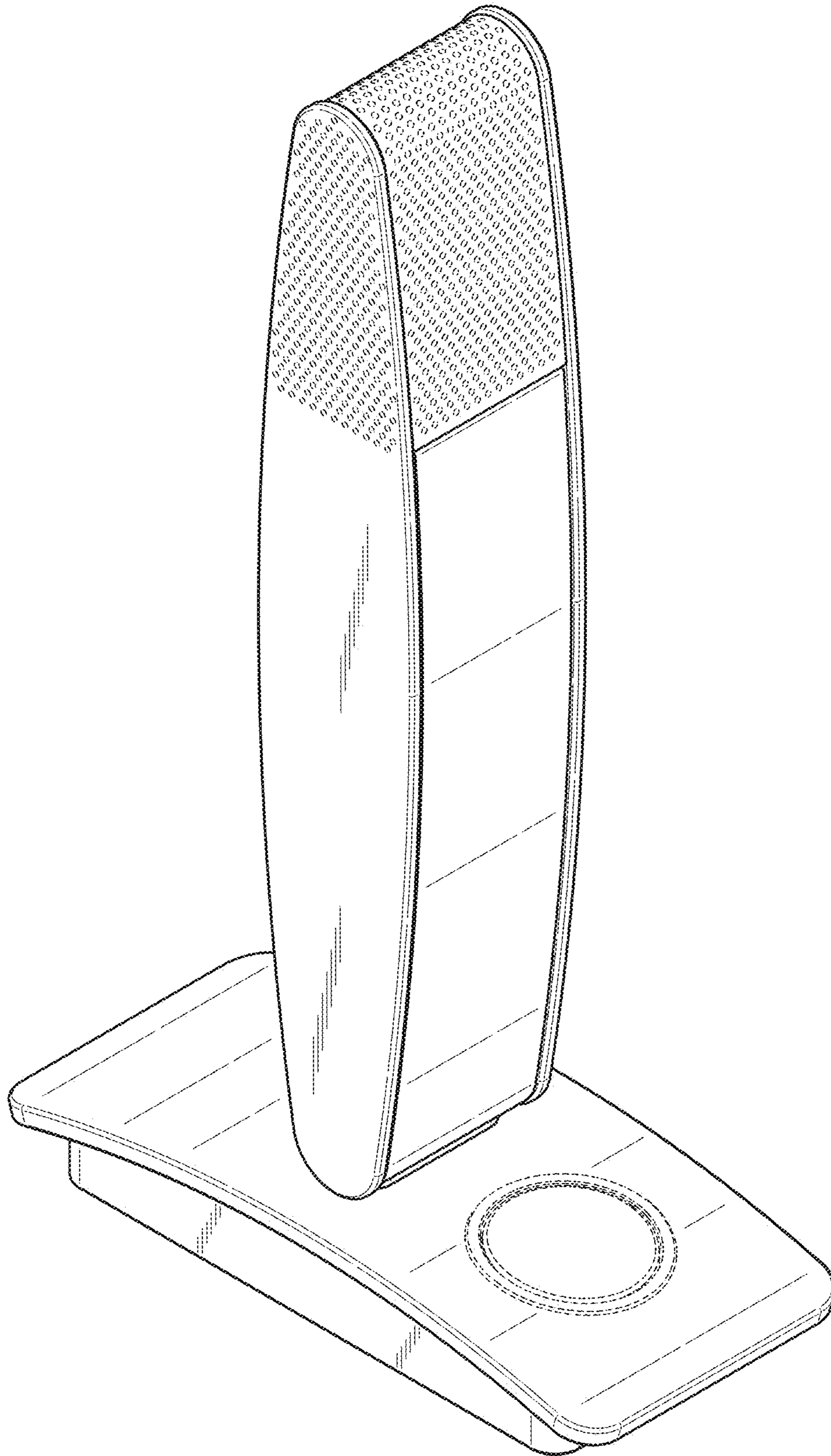


FIG. 1

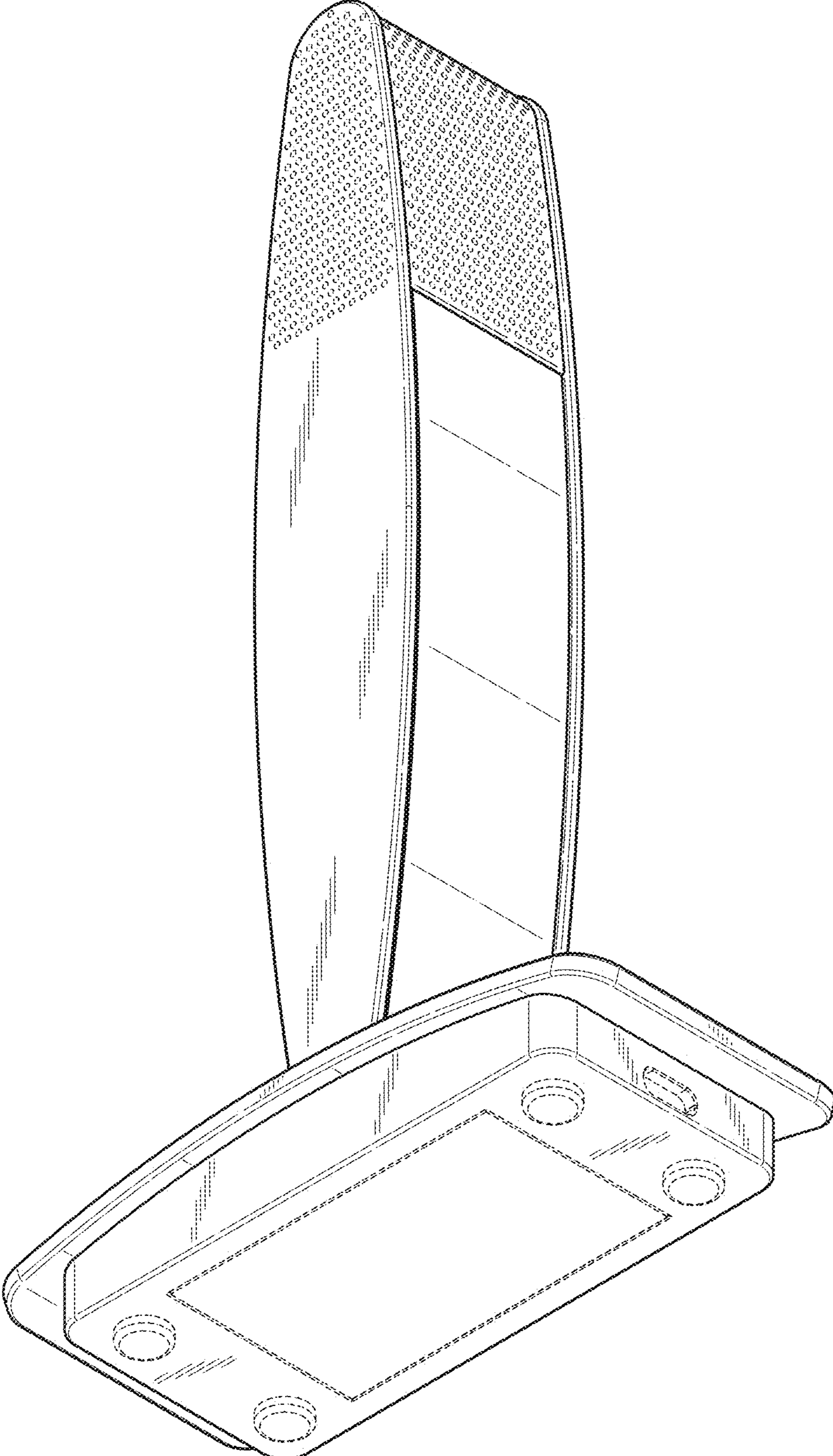


FIG. 2

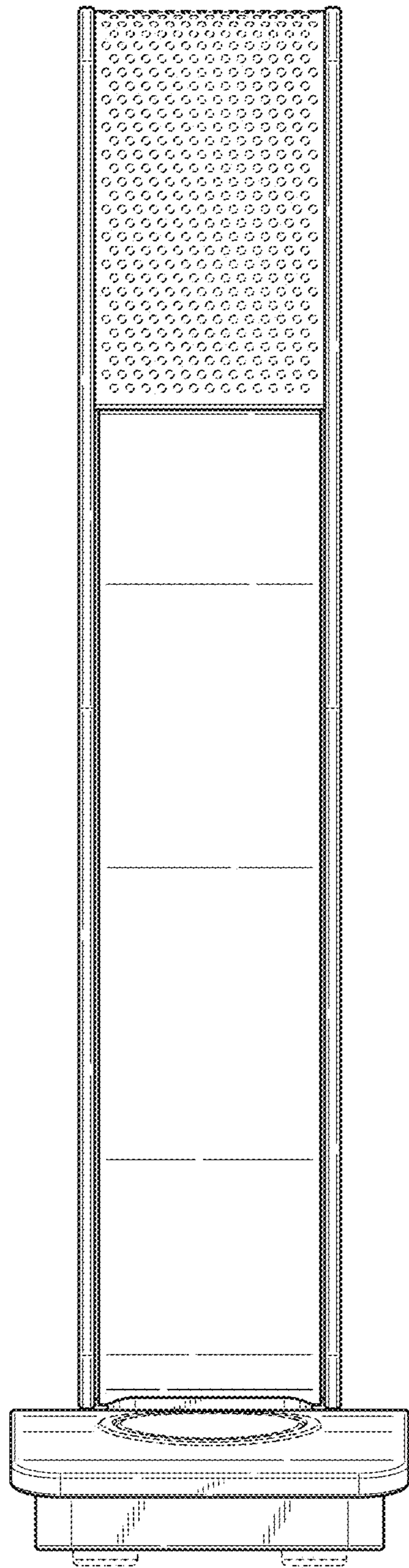


FIG. 3

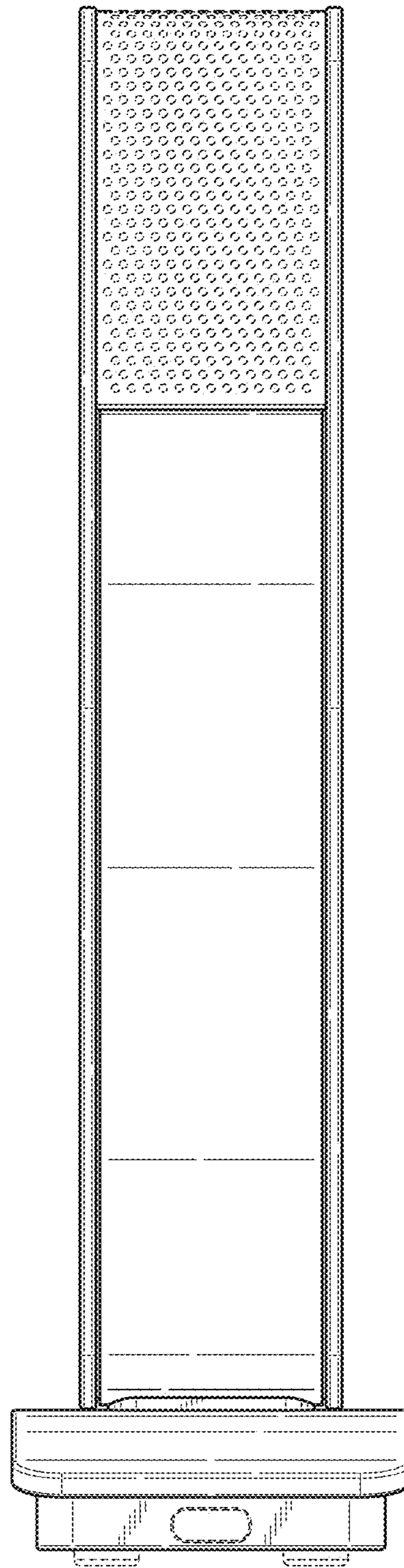


FIG. 4

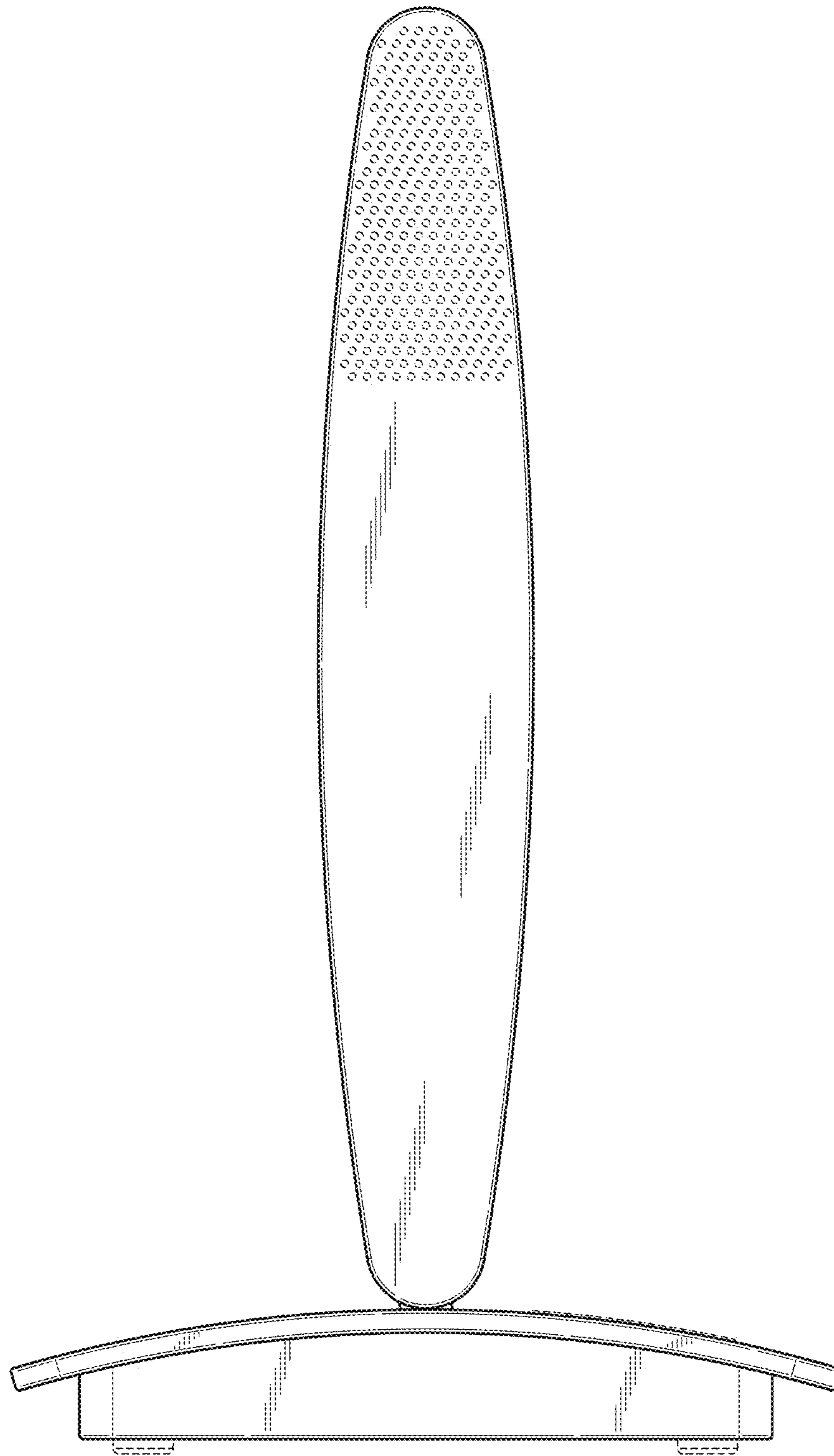


FIG. 5

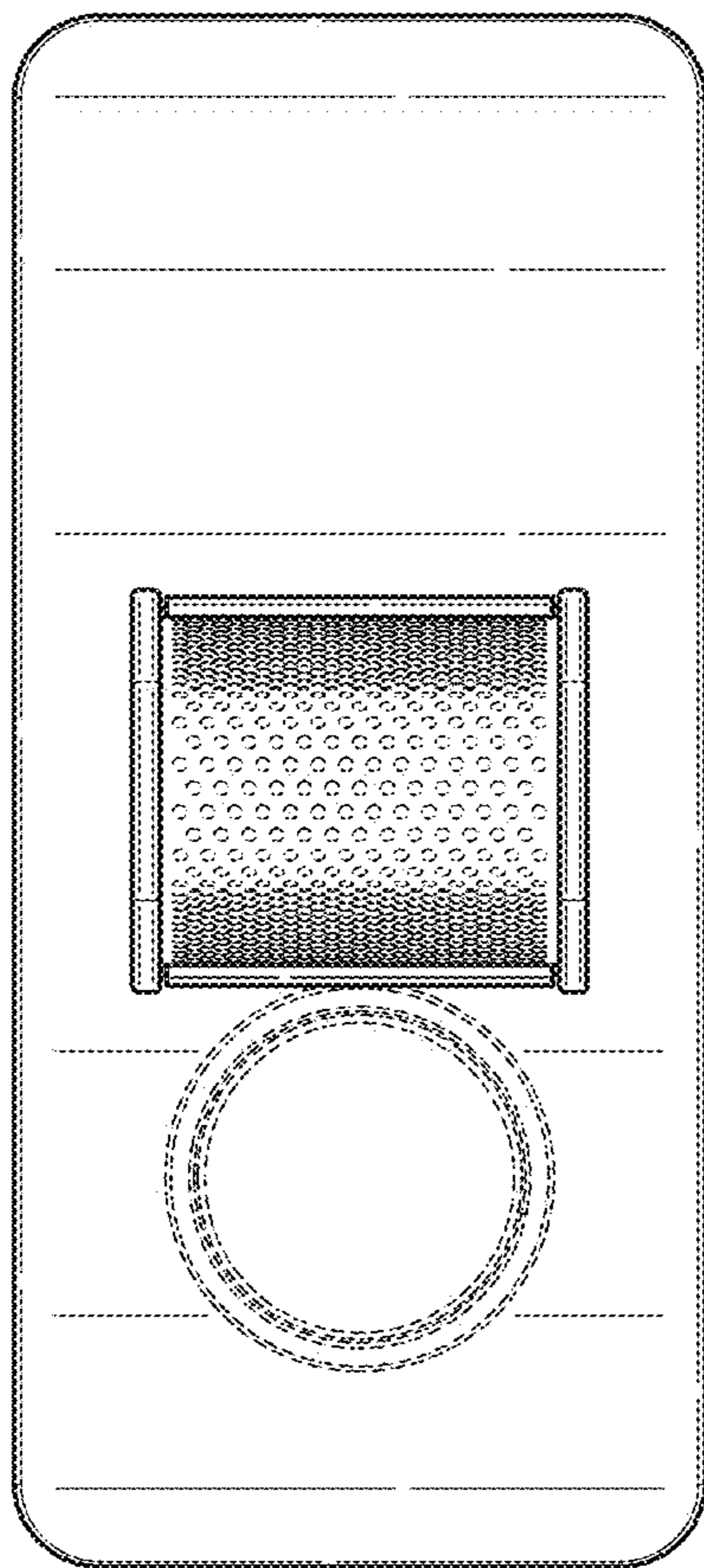


FIG. 6

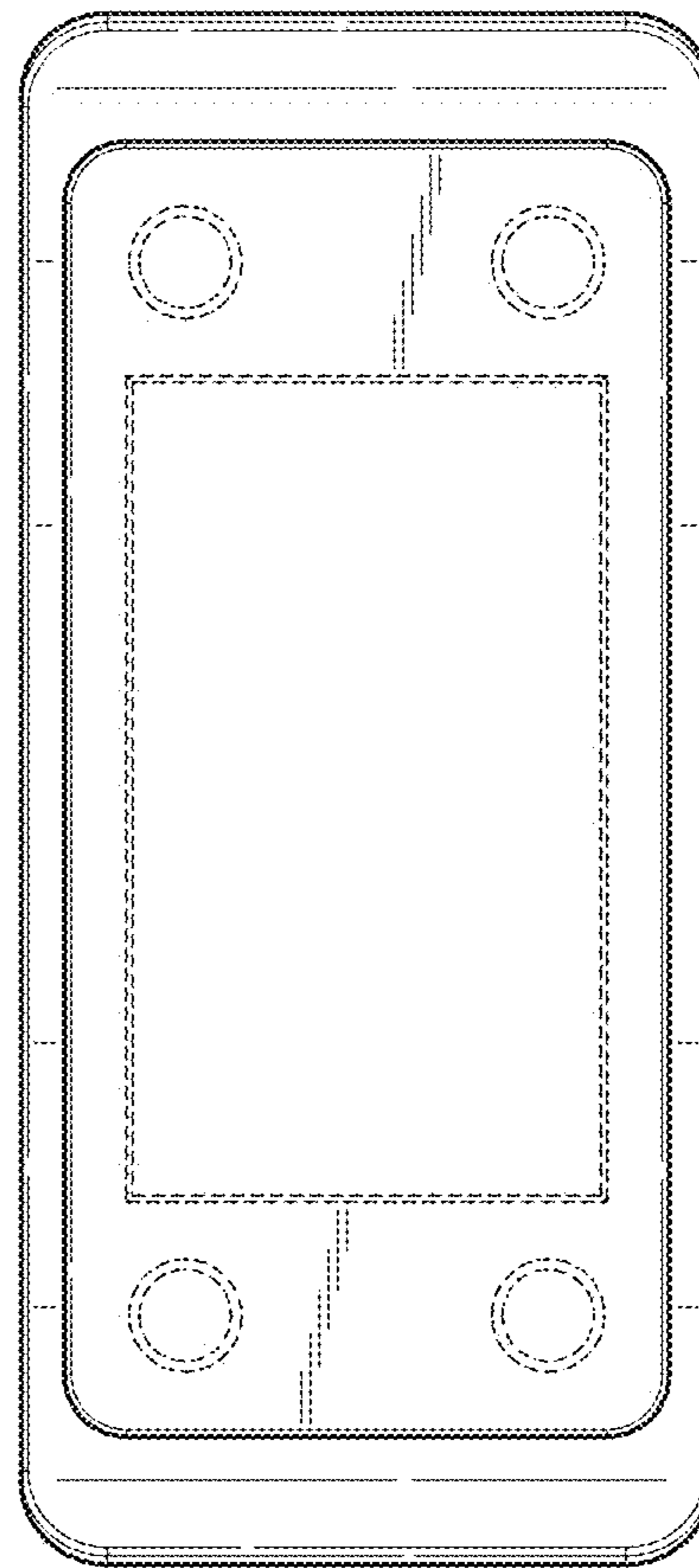


FIG. 7