



US00D966238S

(12) **United States Design Patent** (10) **Patent No.:** **US D966,238 S**  
**Wise et al.** (45) **Date of Patent:** **\*\* \*Oct. 11, 2022**

(54) **MICROPHONE**

(71) Applicant: **VOYETRA TURTLE BEACH, INC.**,  
White Plains, NY (US)

(72) Inventors: **Bernard Wise**, Agoura Hills, CA (US);  
**David Angress**, Agoura Hills, CA (US)

(73) Assignee: **Voyetra Turtle Beach, Inc.**, White  
Plains, NY (US)

(\* ) Notice: This patent is subject to a terminal dis-  
claimer.

(\*\*) Term: **15 Years**

(21) Appl. No.: **29/743,926**

(22) Filed: **Jul. 24, 2020**

(51) **LOC (13) Cl.** ..... **14-01**

(52) **U.S. Cl.**  
USPC ..... **D14/227**

(58) **Field of Classification Search**  
USPC ..... D9/434, 600; D14/150, 154, 155, 158,  
D14/160, 172, 186, 188, 204, 209.1, 214,  
(Continued)

(56) **References Cited**

**U.S. PATENT DOCUMENTS**

D171,055 S \* 12/1953 Schell, Jr. .... D14/225  
3,488,456 A \* 1/1970 Maki ..... H04R 1/08  
381/92

(Continued)

**OTHER PUBLICATIONS**

[Neat Skyline—Black], available in Amazon.com, N/A [online],  
[site visited Oct. 26, 2021], Available from the internet URL:  
<https://www.turtlebeach.com/products/black-neat-skyline-usb-microphone> (Year: 2021).\*

(Continued)

*Primary Examiner* — Khawaja Anwar

*Assistant Examiner* — Megan Tiana Rakos

(74) *Attorney, Agent, or Firm* — Sheppard Mullin Richter  
& Hampton LLP

(57) **CLAIM**

What is claimed is the ornamental design for a microphone,  
as shown and described.

**DESCRIPTION**

FIG. 1 is a top front left perspective view of the microphone  
showing our new design. The broken line showing of the  
side and bottom panel is for the purpose of illustrating the  
curvature of the device and forms no part of the claimed  
design.

FIG. 2 is a bottom back right perspective view thereof. The  
broken line showing of the side and bottom panel is for the  
purpose of illustrating the curvature of the device and forms  
no part of the claimed design.

FIG. 3 is a front view thereof. The broken line showing of  
the side and bottom panel is for the purpose of illustrating  
the curvature of the device and forms no part of the claimed  
design.

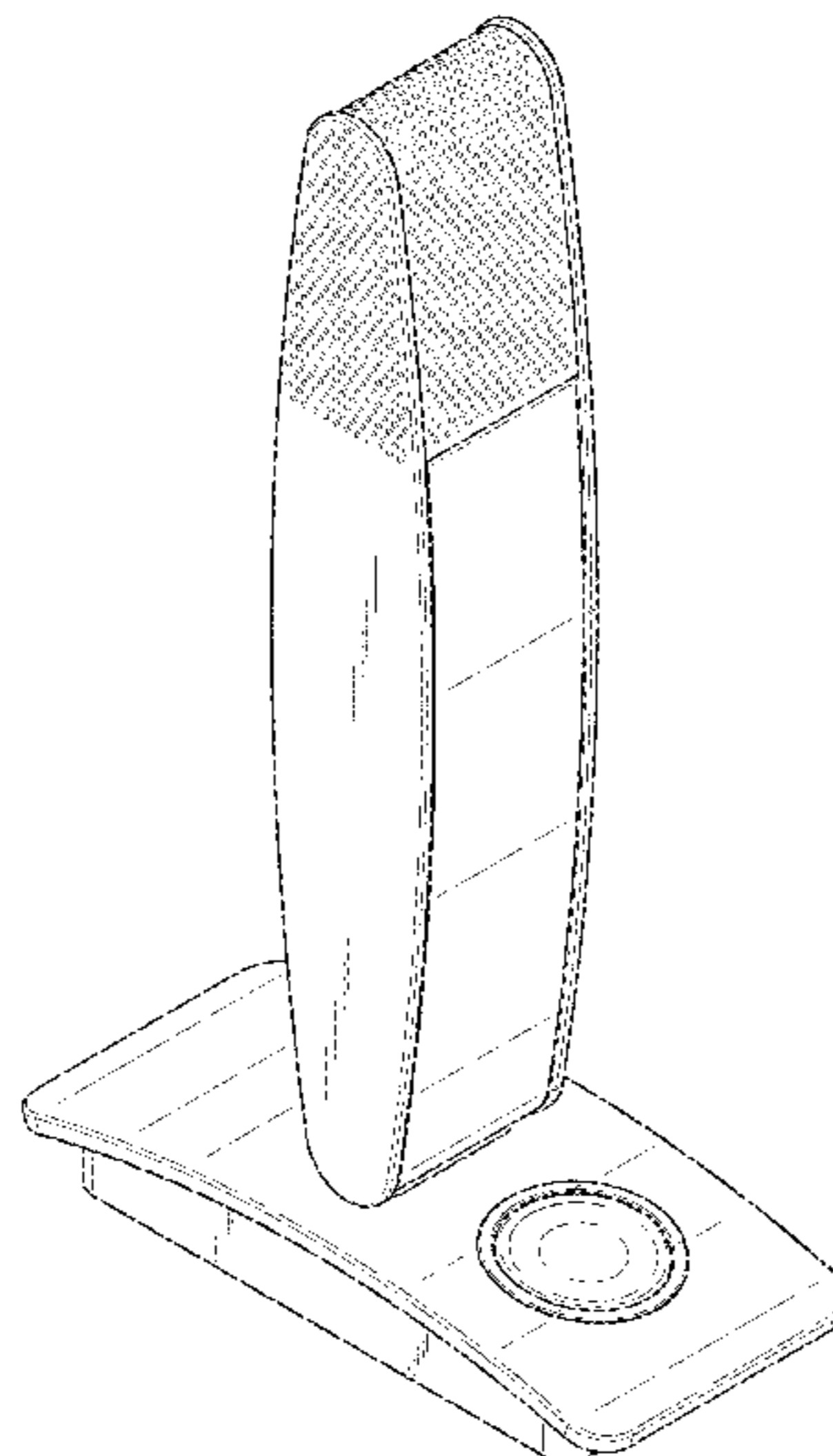
FIG. 4 is a back view thereof. The broken line showing of  
the side and bottom panel is for the purpose of illustrating  
the curvature of the device and forms no part of the claimed  
design.

FIG. 5 is a left view thereof, with the right side view being  
a mirror image. The broken line showing of the side view is  
for the purpose of illustrating the curvature of the device and  
forms no part of the claimed design.

FIG. 6 is a top view thereof. The top and bottom transverse  
borders reflect curved sides as illustrated in FIG. 1. The  
broken line showing of the bottom panel is for the purpose  
of illustrating the curvature of the device and forms no part  
of the claimed design; and,

FIG. 7 is a bottom view thereof. The broken line showing of  
the bottom of the microphone is for the purpose of illus-  
trating the curvature of the device and forms no part of the  
claimed design.

**1 Claim, 5 Drawing Sheets**



(58) **Field of Classification Search**

USPC ..... D14/218, 221, 224–229, 239, 240, 245,  
D14/497; D17/99; D19/189; D21/324,  
D21/331, 332, 513

CPC ... H04R 1/02; H04R 1/04; H04R 1/08; H04R  
1/021; H04R 1/026; H04R 1/46; H04R  
1/222; H04R 11/04; H04R 9/08; H04R  
17/02; H04R 3/00

See application file for complete search history.

(56) **References Cited**

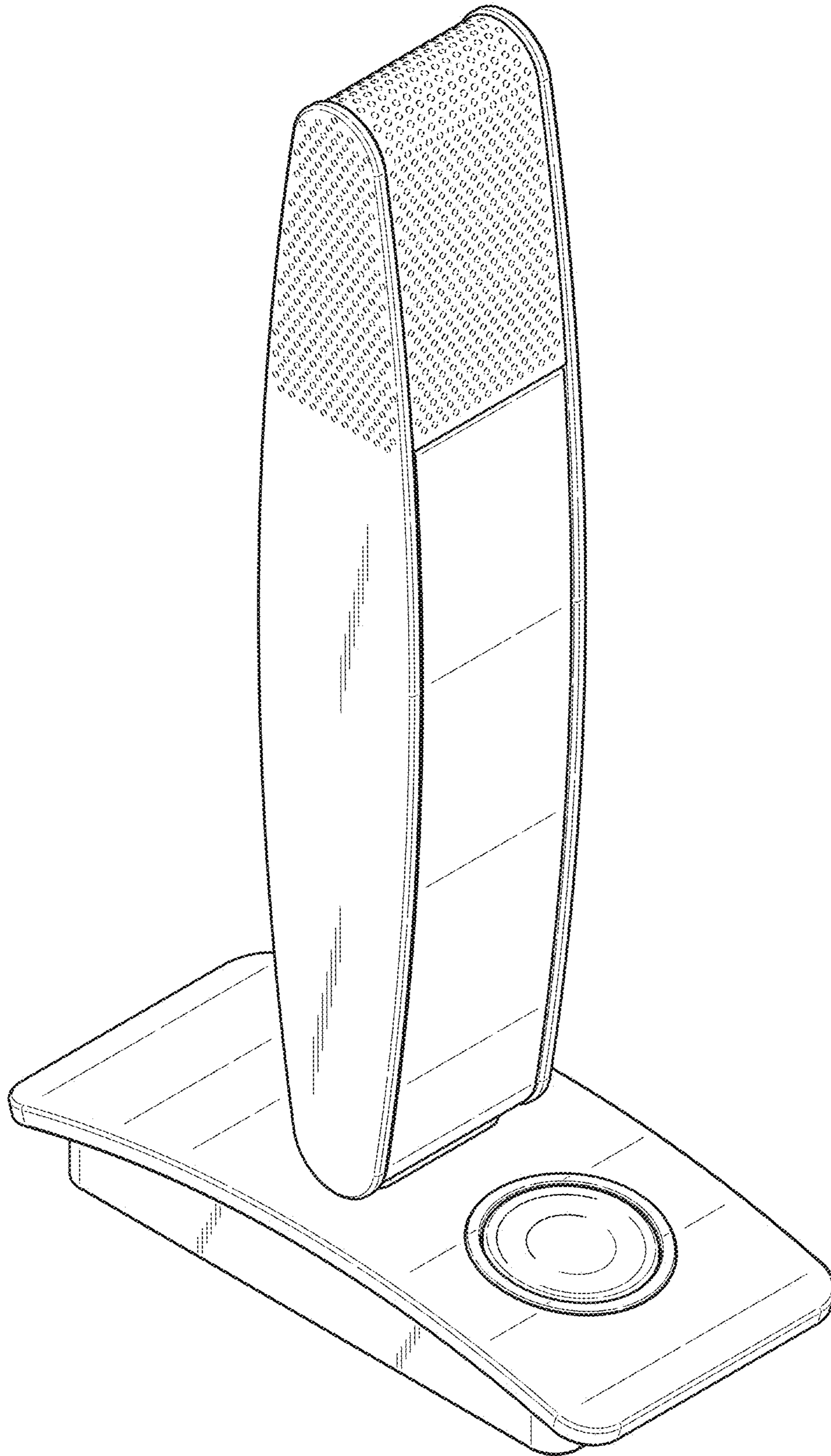
U.S. PATENT DOCUMENTS

D247,561	S	*	3/1978	Peterson	.....	D14/227
D475,040	S	*	5/2003	LaPoint	.....	D14/228
D605,637	S	*	12/2009	Sank	.....	D14/225
D747,296	S	*	1/2016	Wise	.....	D14/227

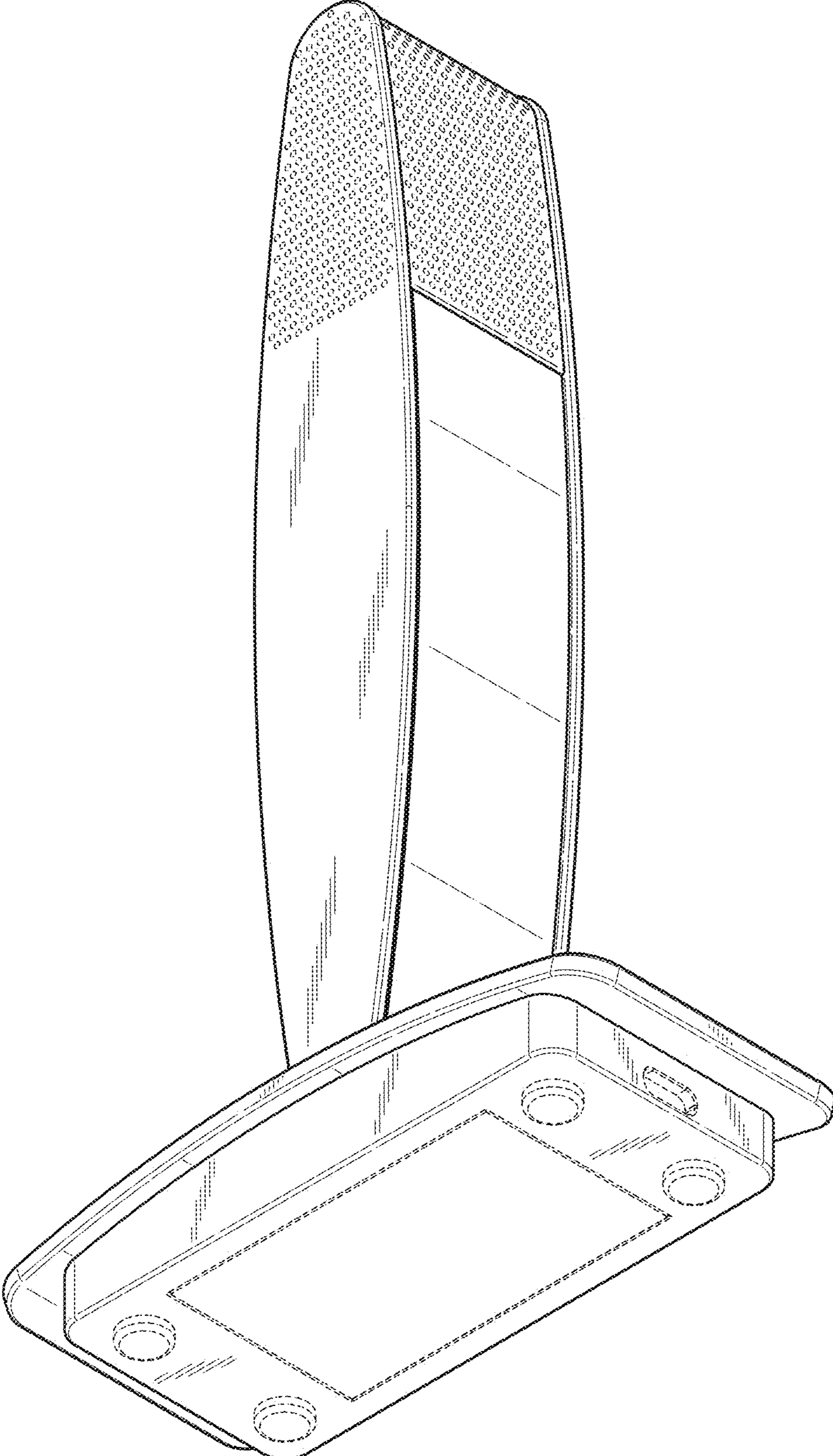
OTHER PUBLICATIONS

[Neat Skyline—White], available in Amazon.com, N/A [online],  
[site visited Oct. 26, 2021], Available from the internet URL:  
<https://www.turtlebeach.com/products/white-neat-skyline-usb-microphone> (Year: 2021).\*

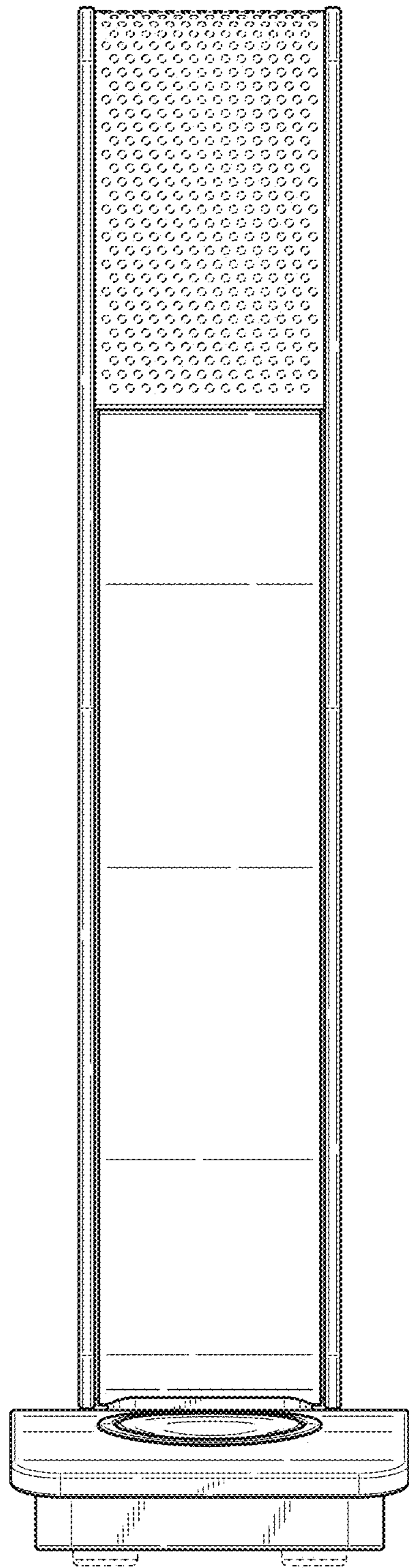
\* cited by examiner



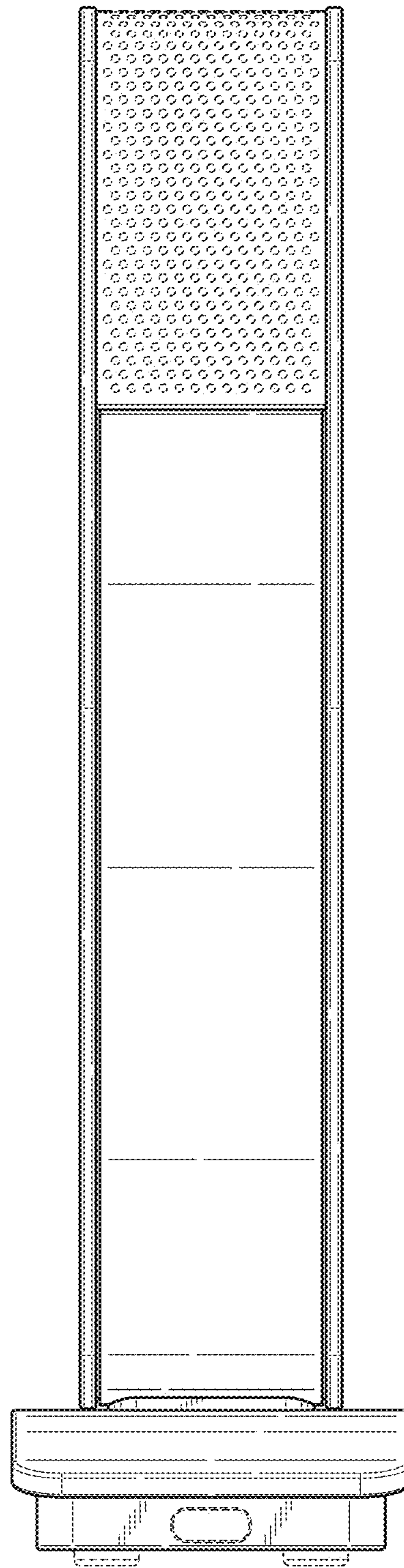
*FIG. 1*



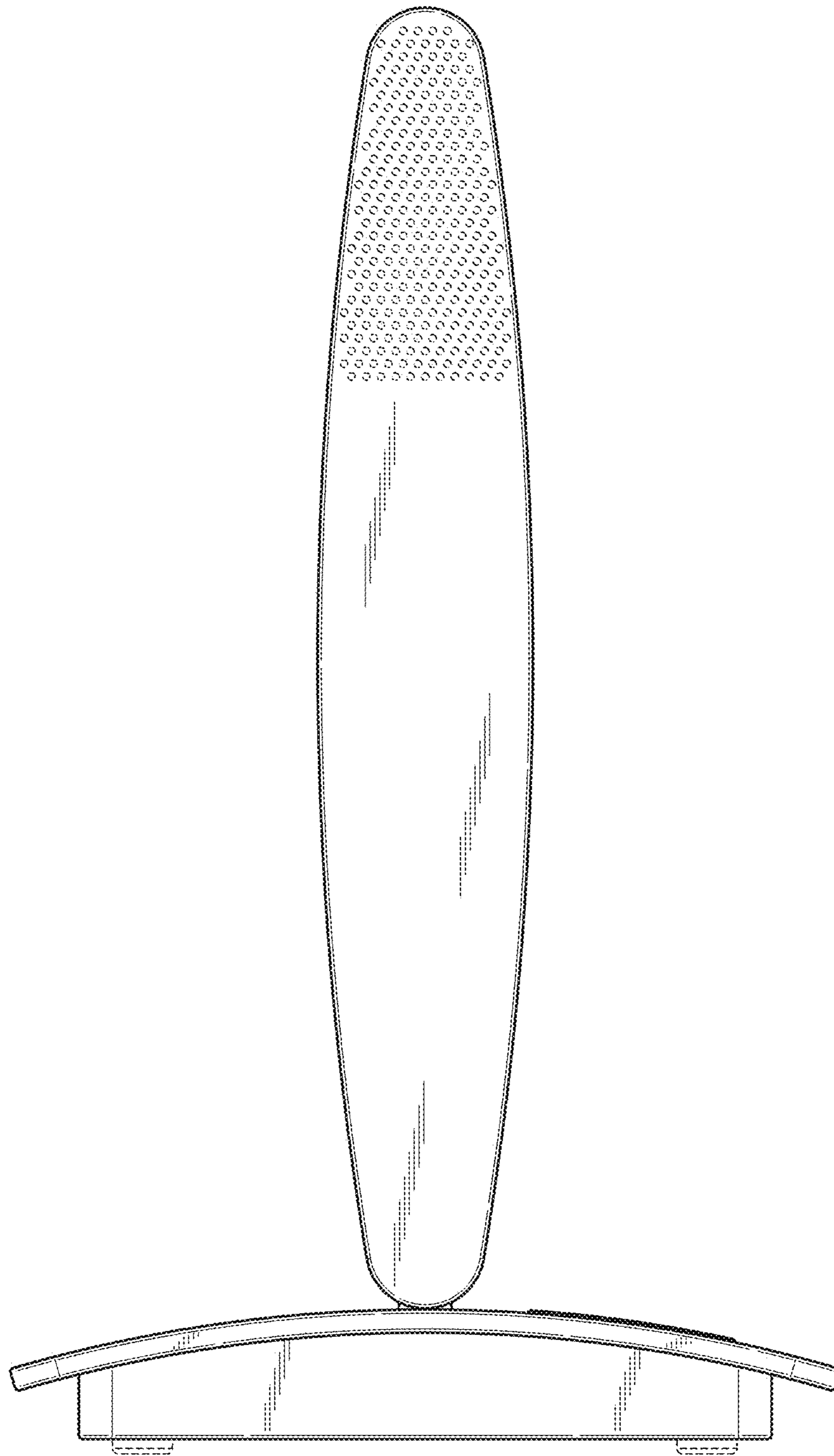
*FIG. 2*



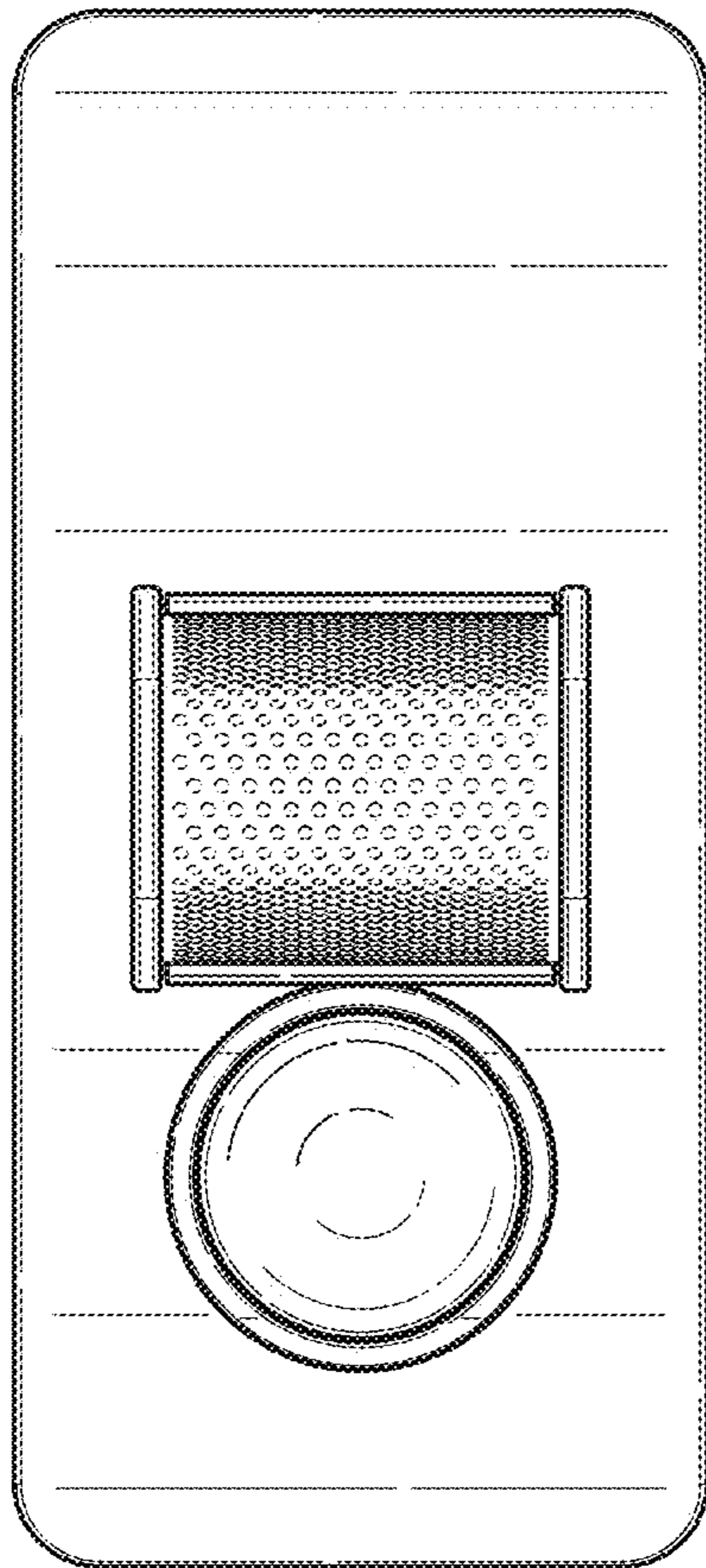
*FIG. 3*



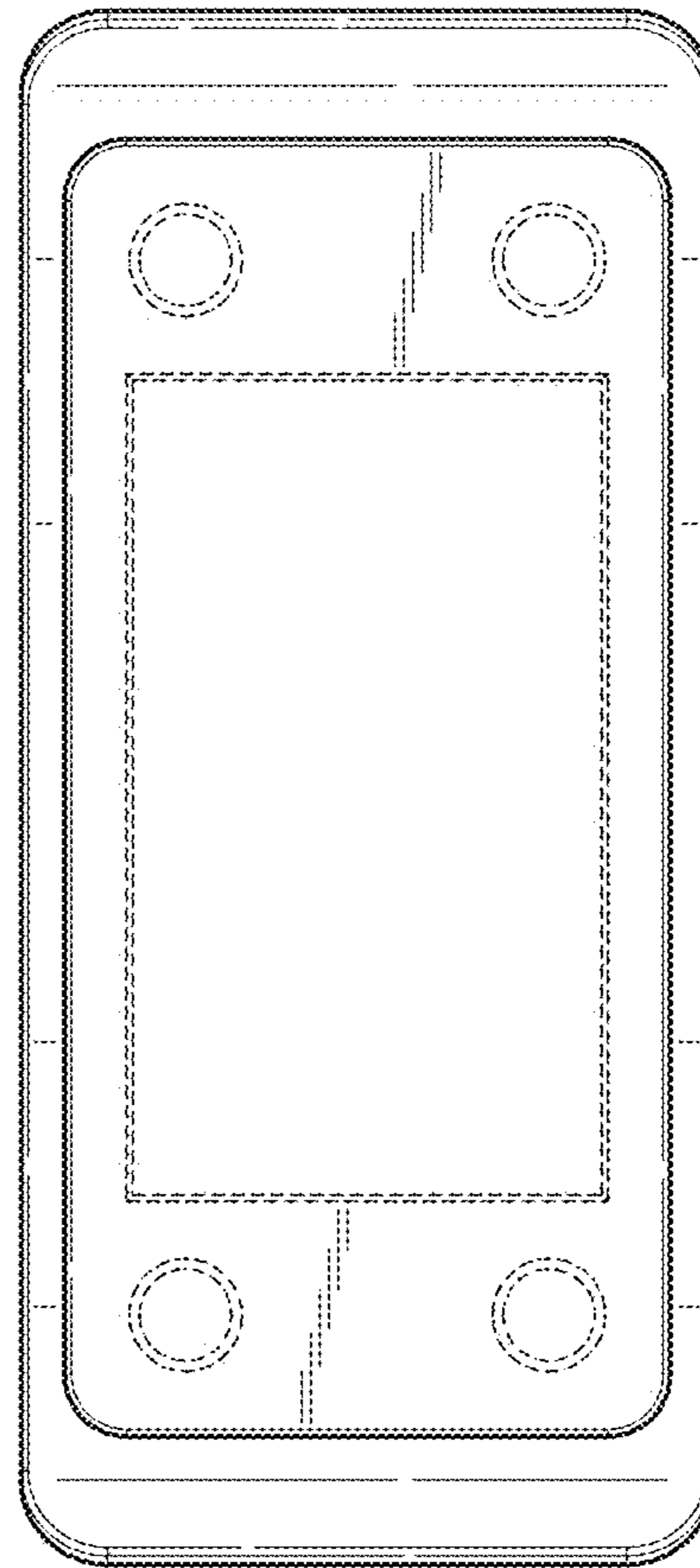
*FIG. 4*



*FIG. 5*



*FIG. 6*



*FIG. 7*