

US00D966237S

(12) **United States Design Patent** (10) **Patent No.:** **US D966,237 S**
Onoue (45) **Date of Patent:** **** Oct. 11, 2022**

(54) **MICROPHONE**

FOREIGN PATENT DOCUMENTS

(71) Applicant: **ICOM INCORPORATED**, Osaka (JP)

CN 301959020 * 6/2012
CN 303815895 * 8/2016

(72) Inventor: **Tsuyoshi Onoue**, Osaka (JP)

(Continued)

(73) Assignee: **ICOM INCORPORATED**, Osaka (JP)

OTHER PUBLICATIONS

(**) Term: **15 Years**

Motorola Original PMMN4076, date first available: Jan. 7, 2015, [retrieved Jul. 14, 2022], Retrieved from Internet, URL: <https://www.amazon.com/Motorola-PMMN4076-PMMN4076A-Windporting-Microphone/dp/B00RYBVPYI/ref=asc_df_B00RYBVPYI/?tag=hyprod-20&li%E2%80%A6> (Year: 2015).*

(21) Appl. No.: **29/780,314**

(22) Filed: **Apr. 23, 2021**

(Continued)

(30) **Foreign Application Priority Data**

Nov. 6, 2020 (JP) 2020-023963 D

(51) **LOC (13) Cl.** **14-01**

(52) **U.S. Cl.**
USPC **D14/225**

(58) **Field of Classification Search**
USPC D14/155-159, 160-173, 187-188,
D14/189-198, 203.1-203.8, 204-216,
D14/217-222, 224-229, 253, 257-258,
D14/496, 498-506; D6/672-673, 675.1,
D6/682

CPC H04R 1/02; H04R 1/021; H04R 1/025;
H04R 1/026; H04R 1/028; H04R 1/06;
H04R 1/105; H04R 1/323; H04R 1/403;
H04R 1/2803; H04R 1/2834

See application file for complete search history.

Primary Examiner — Messina L Smith

Assistant Examiner — Aram Kwon

(74) *Attorney, Agent, or Firm* — Birch, Stewart, Kolasch & Birch, LLP

(56) **References Cited**

U.S. PATENT DOCUMENTS

D295,404 S * 4/1988 Tokiyama D14/137
D388,094 S * 12/1997 Tokiyama D14/204
D526,993 S * 8/2006 Richards D14/188
D530,313 S * 10/2006 Leng D14/225
D534,526 S * 1/2007 Aoki D14/225
D540,765 S * 4/2007 Pritchard D14/137
D566,075 S * 4/2008 Leng D14/137
D576,157 S * 9/2008 Nishizawa D14/225
D632,679 S * 2/2011 Emge D14/225

(Continued)

(57) **CLAIM**

The ornamental design for a microphone, as shown and described.

DESCRIPTION

FIG. 1 is a first perspective view of a microphone showing our new design;

FIG. 2 is a second perspective view thereof;

FIG. 3 is a front view thereof;

FIG. 4 is a rear view thereof;

FIG. 5 is a left side view thereof;

FIG. 6 is a right side view thereof;

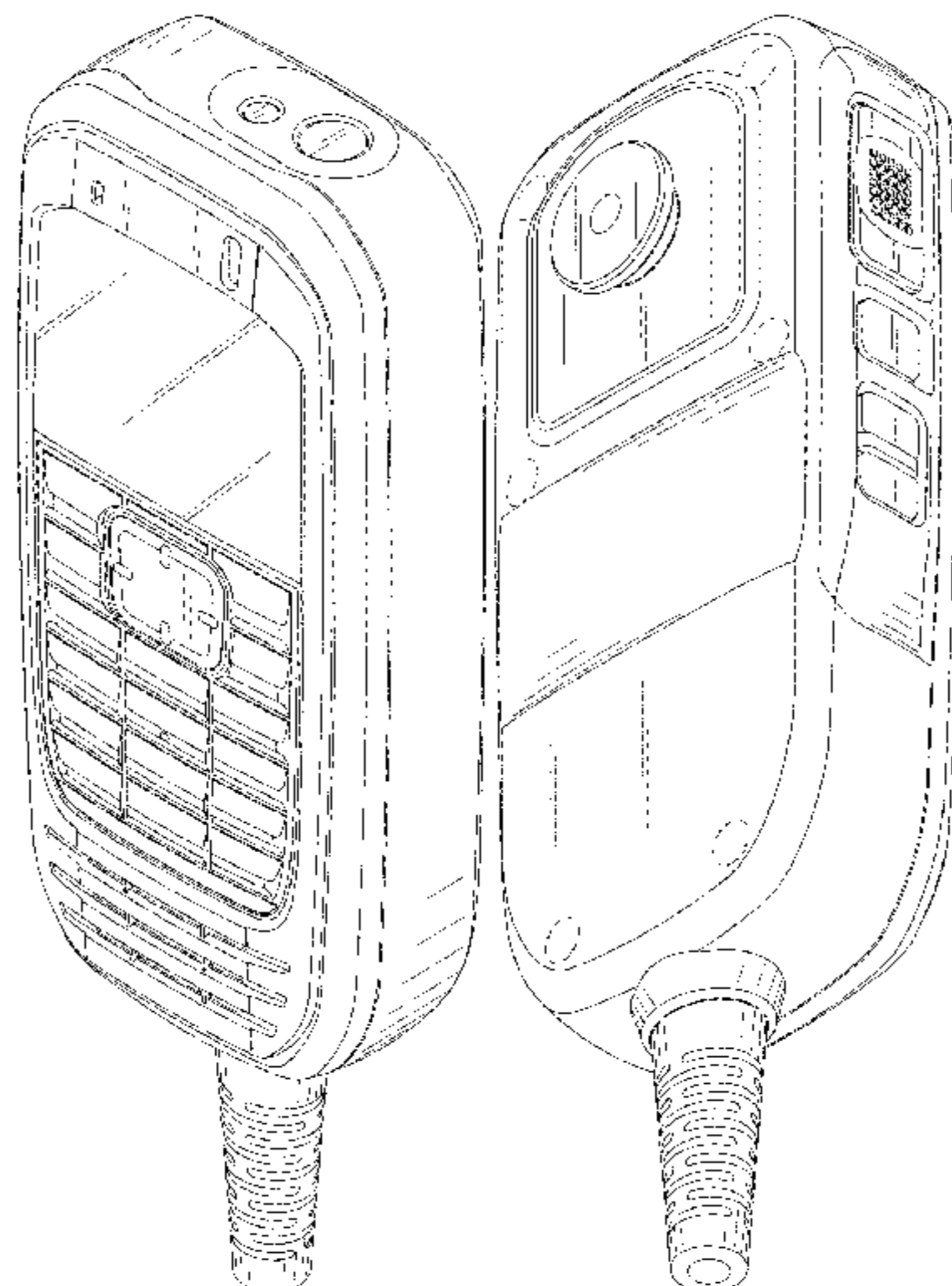
FIG. 7 is a top view thereof;

FIG. 8 is a bottom view thereof; and,

FIG. 9 is an enlarged bottom view thereof.

The broken lines depict portions of the microphone in which the design is embodied that are not considered part of the claimed design.

1 Claim, 7 Drawing Sheets



(56)

References Cited

OTHER PUBLICATIONS

U.S. PATENT DOCUMENTS

D718,747	S	*	12/2014	Tran	D14/137
D725,085	S	*	3/2015	Barker	D14/137
D743,950	S	*	11/2015	Derdzinski	D14/225
D761,224	S	*	7/2016	Khairudin	D14/137
D810,040	S	*	2/2018	Nakagawa	D14/137
D816,639	S	*	5/2018	Abe	D14/137
D843,337	S	*	3/2019	Nakagawa	D14/137
D846,521	S	*	4/2019	Nakagawa	D14/137
D881,851	S	*	4/2020	Tran	D14/225
D898,689	S	*	10/2020	Nishizawa	D14/137
D948,466	S	*	4/2022	Nishizawa	D14/137
D951,922	S	*	5/2022	Nakagawa	D14/225
2022/0046346	A1	*	2/2022	Lee	H04R 1/086

FOREIGN PATENT DOCUMENTS

CN	306140937	*	10/2020
CN	306611786	*	6/2021
CN	306810336	*	9/2021
JP	D1663524	*	7/2020
JP	D1684849	*	5/2021

VHF and UHF Digital Transceivers, date not available, [retrieved Jul. 14, 2022], Retrieved from Internet, URL: <<https://www.icomjapan.com/lineup/products/IC-F5330D/>> (Year: 2022).*

Icom IC-A25N NAV-COM Transceiver, review date: Oct. 11, 2019, [retrieved Jul. 14, 2022], Retrieved from Internet, URL: <https://www.mypilotstore.com/MyPilotStore/sep/12558?gclid=EAIalQobChMlndaEhqP5-AIV3_bjBx3tsweDEAQYDiABEgJFxD_BwE> (Year: 2019).*

Icom V86 2m 7WVHF Handheld Radio, date not available, [retrieved Jul. 14, 2022], Retrieved from Internet, URL: <<https://www.radioparts.com/icom-v86-12>> (Year: 2022).*

Midland X-Talker T10 Portable Two-Way Radio, review date: Feb. 2, 2021, [retrieved Jul. 14, 2022], Retrieved from Internet, URL: <https://www.quill.com/midland-x-talker-t10-portable-two-way-radio-black-2-pack/cbs/55380519.html?effort_code=369&sfcp=1&gclid=aw.ds&&cm_mm%E2%80%A6> (Year: 2021).*

* cited by examiner

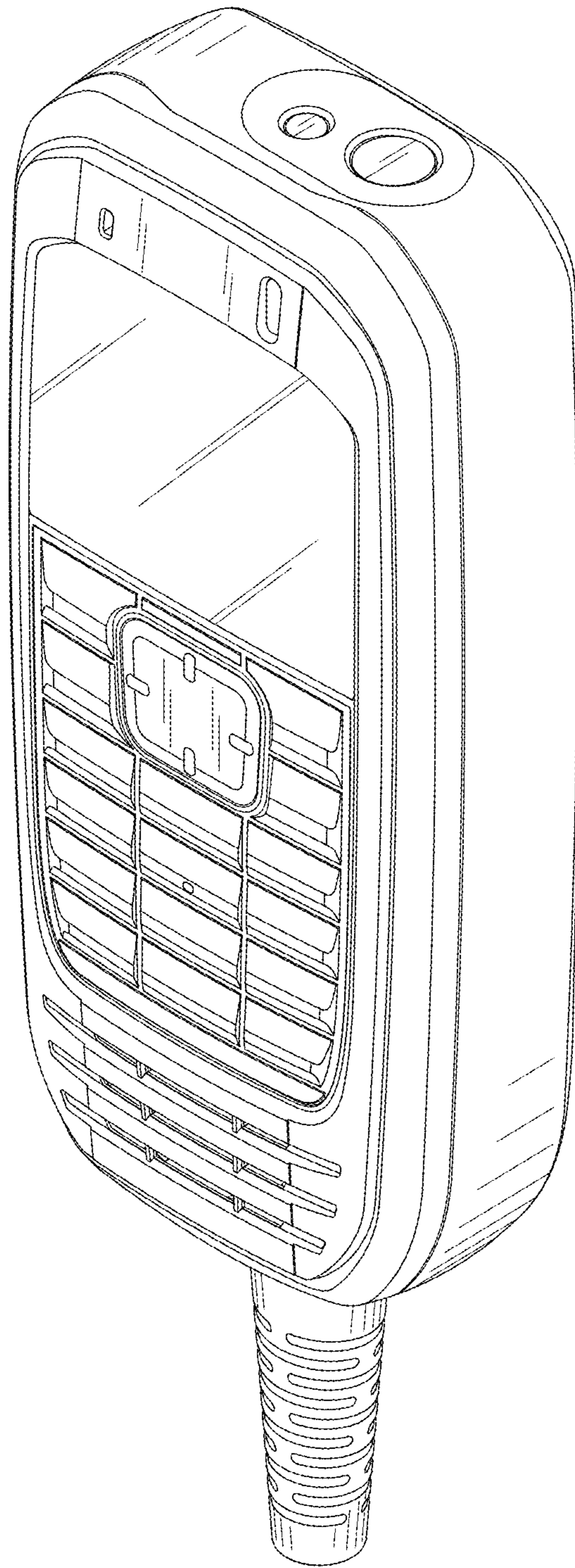


FIG. 1

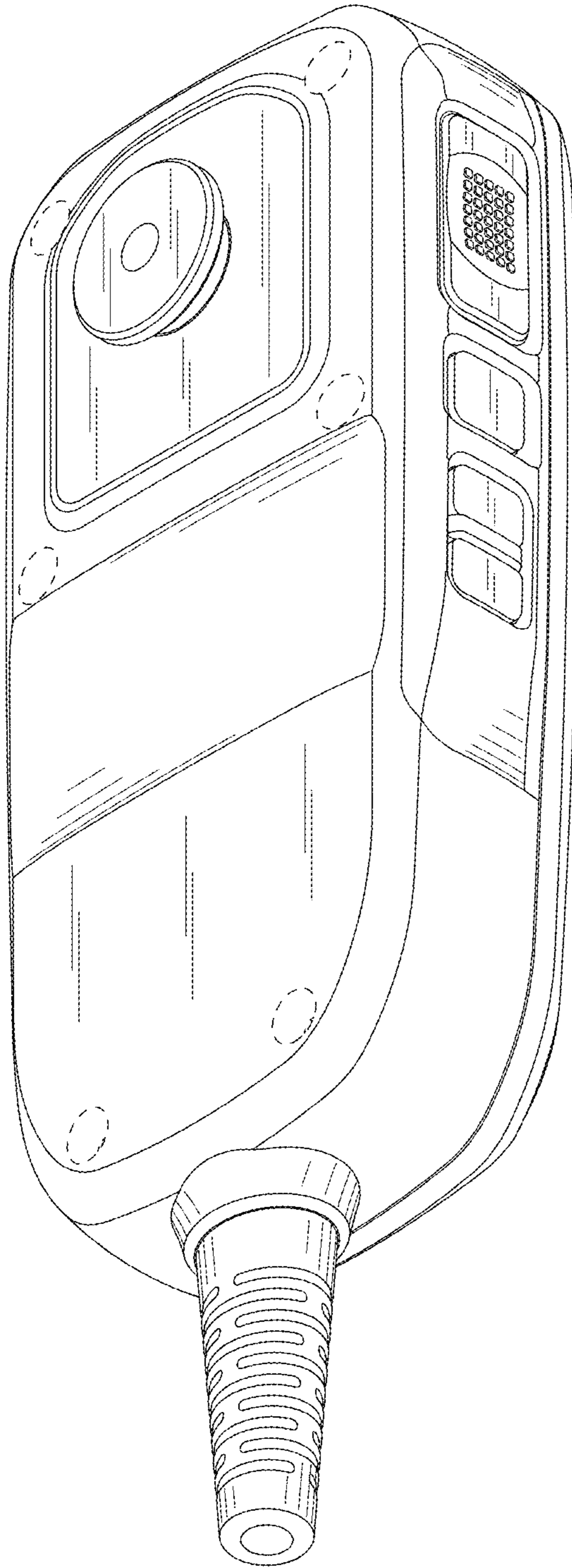


FIG.2

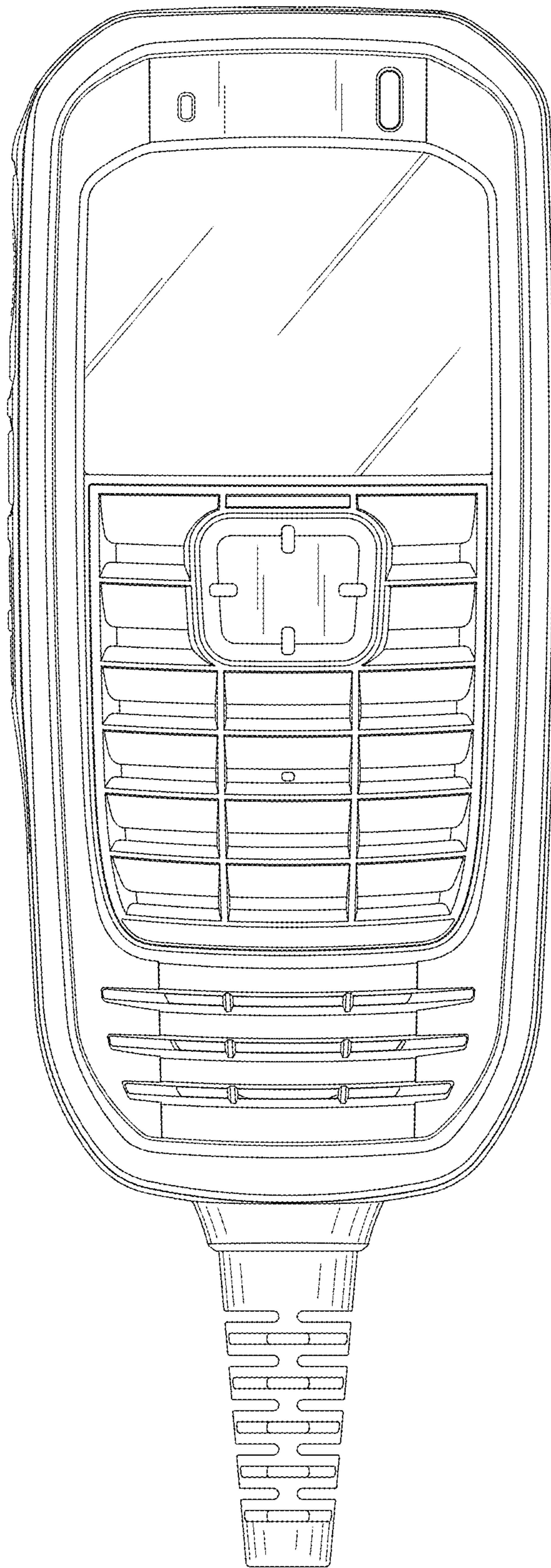


FIG.3

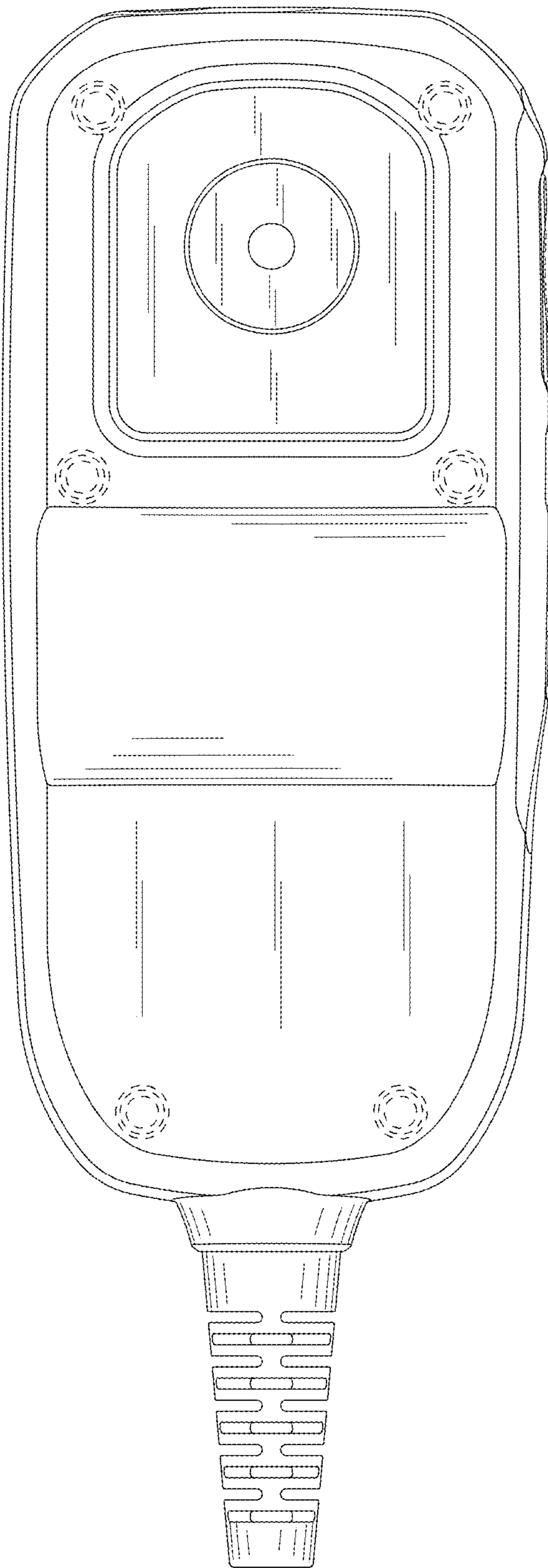


FIG.4

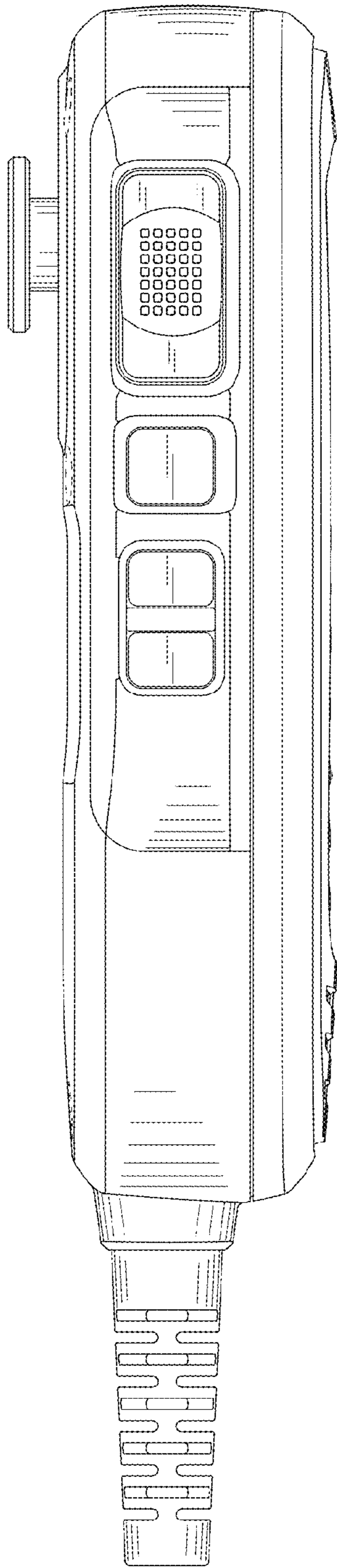


FIG. 5

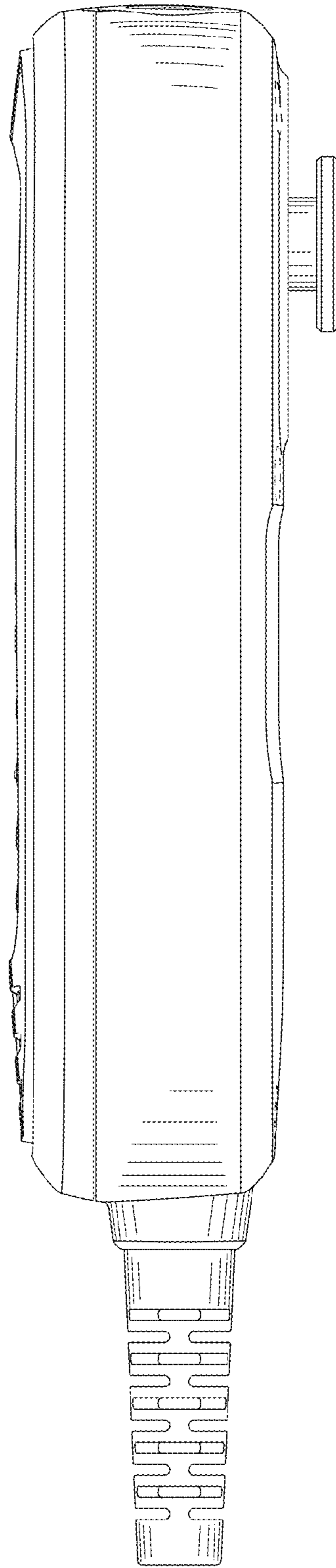


FIG. 6

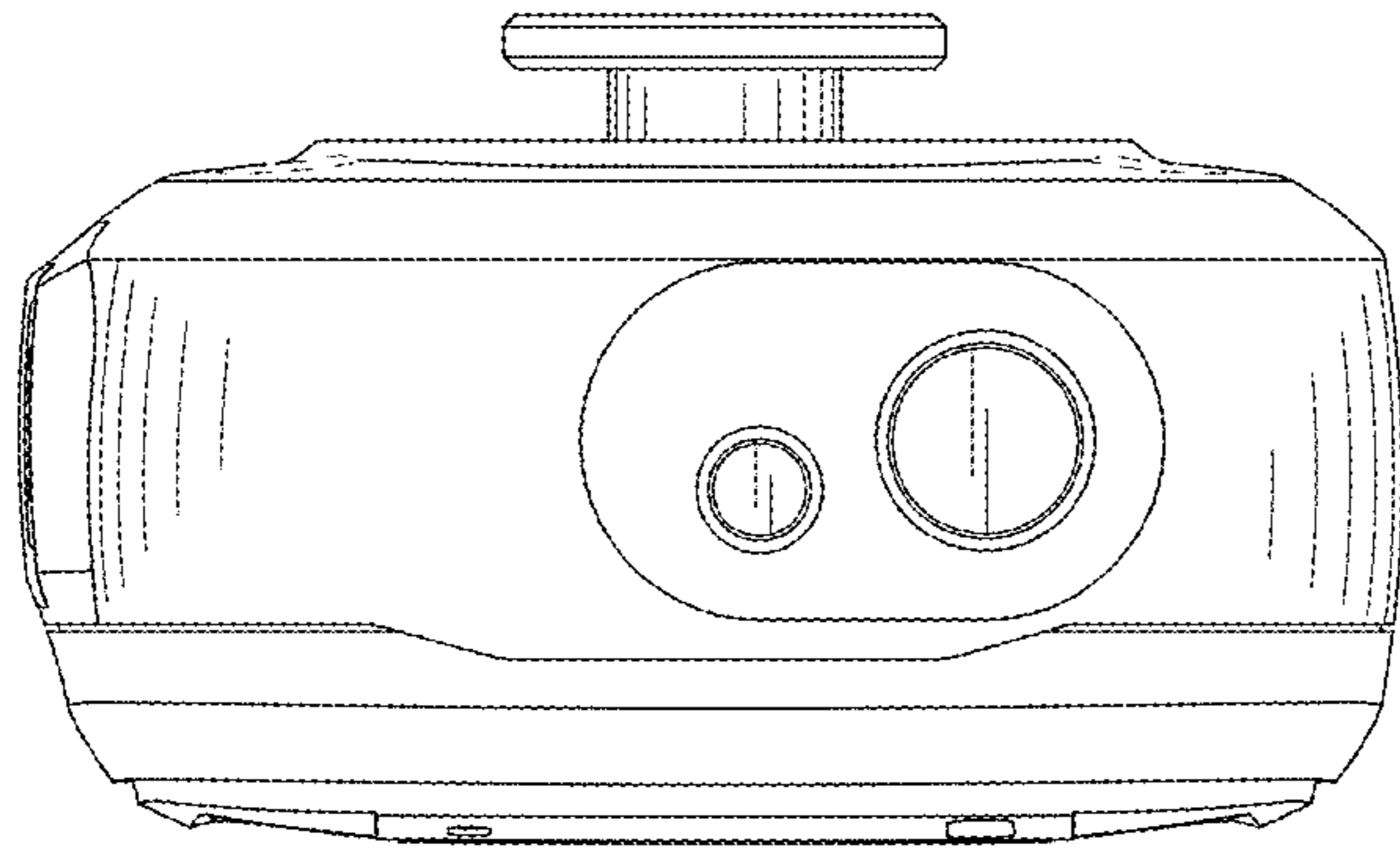


FIG. 7

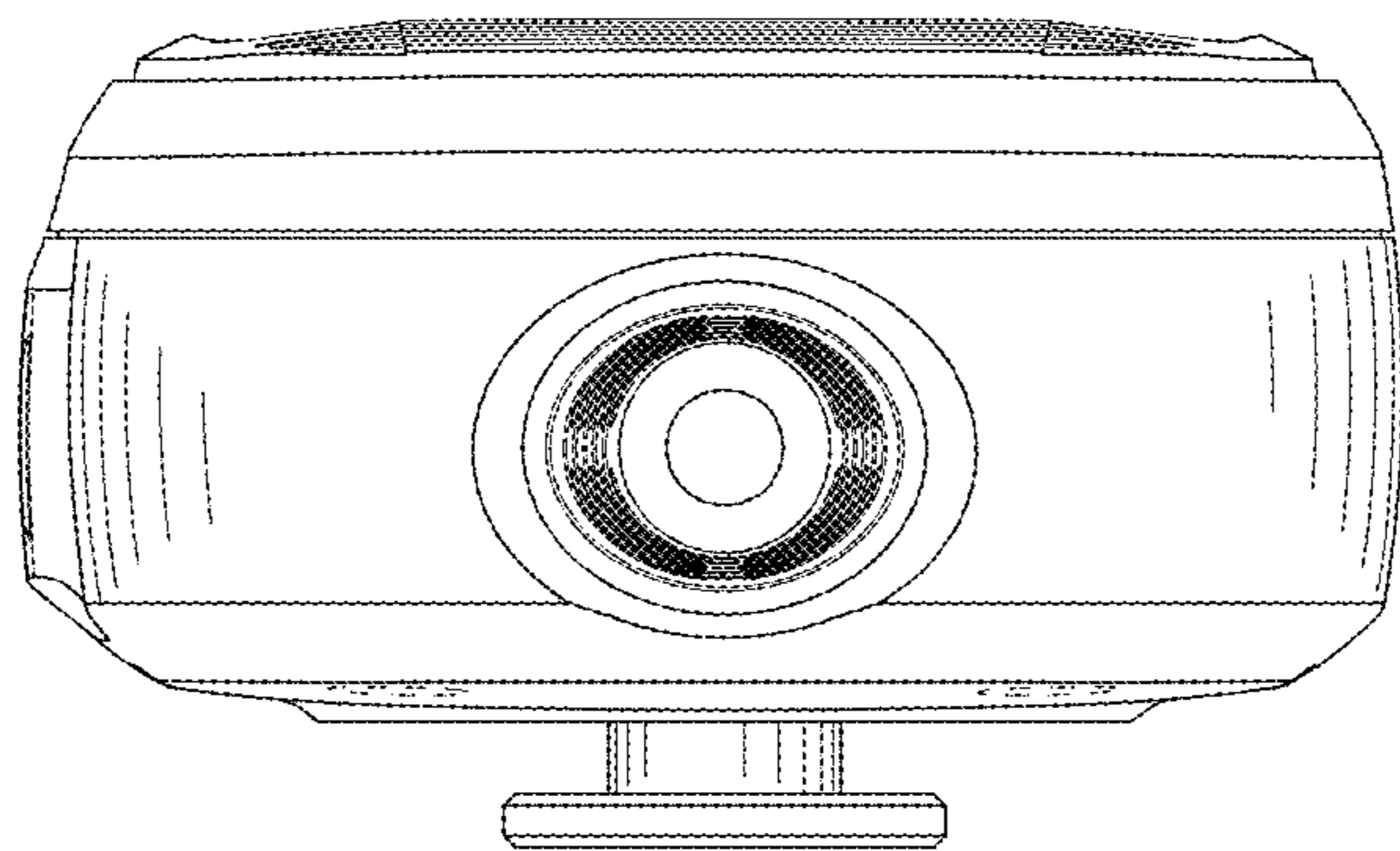


FIG. 8

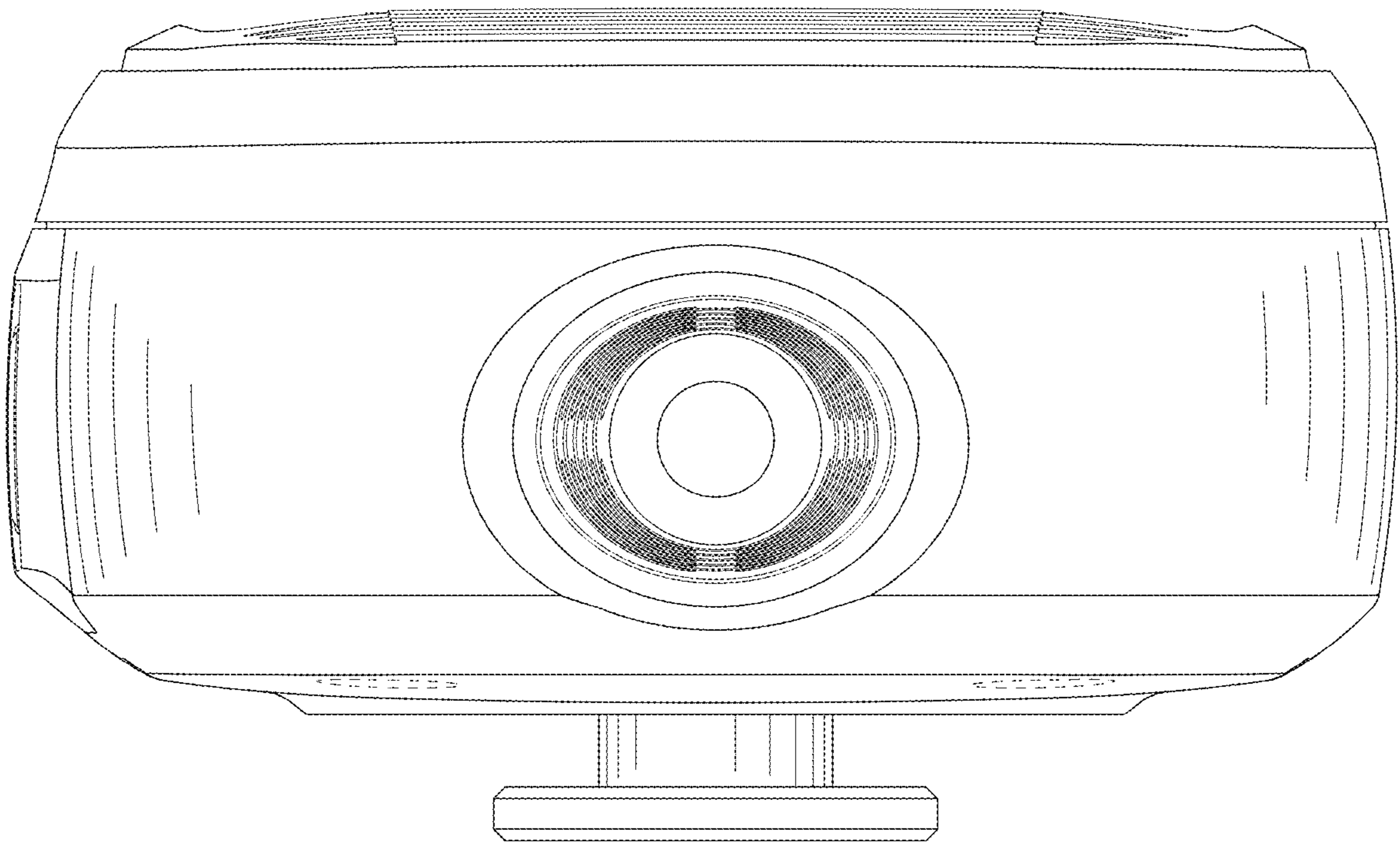


FIG.9