

US00D966234S

(12) **United States Design Patent**
Kim et al.

(10) **Patent No.:** **US D966,234 S**
(45) **Date of Patent:** **** Oct. 11, 2022**

(54) **INDOOR WALL WITH BUILT-IN HOME APPLIANCES**

(74) *Attorney, Agent, or Firm* — Birch, Stewart, Kolasch & Birch, LLP

(71) Applicant: **LG ELECTRONICS INC.**, Seoul (KR)

(57) **CLAIM**

The ornamental design for an indoor wall with built-in home appliances, as shown and described.

(72) Inventors: **Youngkyoung Kim**, Seoul (KR); **Junghan Ryu**, Seoul (KR); **Taeho Kim**, Seoul (KR); **Kyusuh Park**, Seoul (KR); **Jipyo Hong**, Seoul (KR); **Chulmin Lim**, Seoul (KR); **Bumsang Lee**, Seoul (KR); **Mijin Jung**, Seoul (KR); **Junghyun Joo**, Seoul (KR); **Junki Kim**, Seoul (KR)

DESCRIPTION

(73) Assignee: **LG ELECTRONICS INC.**, Seoul (KR)

FIG. 1 is a front perspective view of the indoor wall with built-in home appliances showing our new design;
FIG. 2 is a front view thereof;
FIG. 3 is a rear view thereof;
FIG. 4 is a left view thereof where the right view is a mirror image;
FIG. 5 is a top view thereof;
FIG. 6 is a bottom view thereof;
FIG. 7 is a reference view showing the state of use that the built-in home appliances are installed in the claimed design;
FIG. 8 is a reference view showing the state of use that the front upper cover is being pushed inside;
FIG. 9 is a front perspective view in a condition that the front upper cover has been pushed inside;
FIG. 10 is a front view of FIG. 9;
FIG. 11 is a rear view of FIG. 9;
FIG. 12 is a left side view of FIG. 9 where the right view is a mirror image;
FIG. 13 is a top view of FIG. 9;
FIG. 14 is a bottom view of FIG. 9;
FIG. 15 is a reference view showing the state of use that the front bottom cover is being raised;
FIG. 16 is a front perspective view in a condition that the front bottom cover has been raised;
FIG. 17 is a front view of FIG. 16;
FIG. 18 is a rear view of FIG. 16;
FIG. 19 is a left side view of FIG. 16 where the right view is a mirror image;
FIG. 20 is a top view of FIG. 16;
FIG. 21 is a bottom view of FIG. 16; and
FIG. 22 is a reference view showing the state of use that the television and audio which is installed at the front of the claimed design can be used by raising the bottom cover of the front.

(**) Term: **15 Years**

(21) Appl. No.: **29/725,949**

(22) Filed: **Feb. 28, 2020**

(30) **Foreign Application Priority Data**

Sep. 6, 2019 (KR) 30-2019-0043225

(51) **LOC (13) Cl.** **14-01**

(52) **U.S. Cl.**
USPC **D14/217; D26/110**

(58) **Field of Classification Search**
USPC D26/24, 34, 38, 52, 58, 72, 76, 110, 120, D26/138; D14/32-434; D13/162, 164,
(Continued)

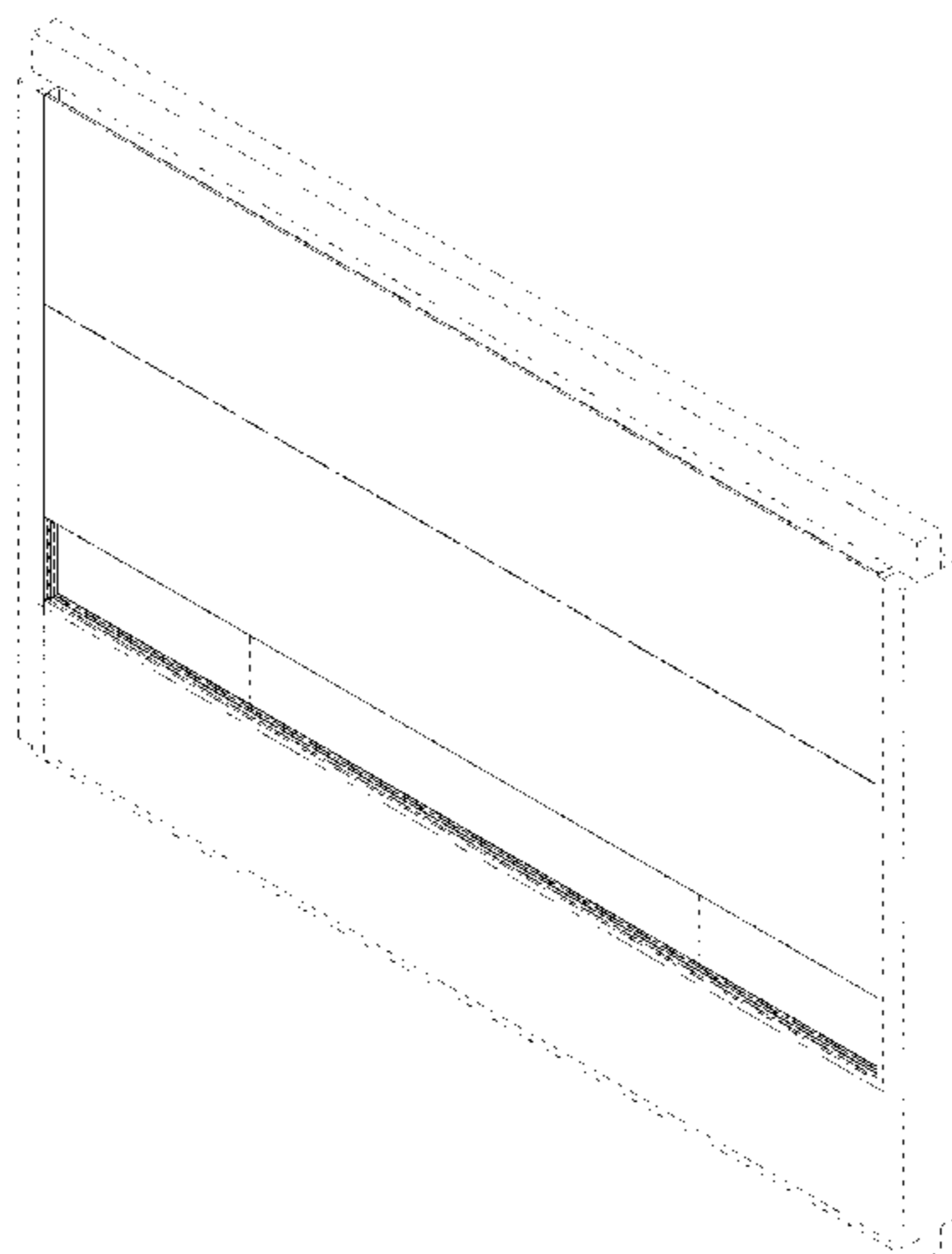
(56) **References Cited**

U.S. PATENT DOCUMENTS

D297,507 S * 9/1988 Yandek D8/353
D493,244 S * 7/2004 Engel D26/76
(Continued)

Primary Examiner — Wan Laymon
Assistant Examiner — Clint A Samuel

(Continued)



The broken lines depict portions of the indoor wall with built-in home appliances that form no part of the claimed design. The dash-dot broken lines define the boundary of the claimed design and form no part thereof.

1 Claim, 22 Drawing Sheets

(58) **Field of Classification Search**

USPC D13/171, 177, 199; D23/351-355, 357, D23/361, 385
 CPC H05B 47/105; H05B 47/11; H05B 47/155; H05B 47/16; H05B 47/175; H05B 47/19; H05B 45/10; H05B 45/20; H05B 45/00; F21Y 2105/00; F21Y 2105/14; F21Y 2105/16; F21V 21/00; F21V 21/02; F21V 21/04

See application file for complete search history.

(56) **References Cited**

U.S. PATENT DOCUMENTS

D783,020 S * 4/2017 Inoue D14/374
 9,664,365 B2 * 5/2017 Myers G02B 6/0068
 D804,711 S * 12/2017 Leadford D26/120
 D813,177 S * 3/2018 Poulheim D13/164
 D831,582 S * 10/2018 Poulheim D13/162
 D831,583 S * 10/2018 Poulheim D13/164
 D832,225 S * 10/2018 Poulheim D13/162
 D833,987 S * 11/2018 Poulheim D13/164
 D834,535 S * 11/2018 Poulheim D13/162

D834,538 S * 11/2018 Poulheim D13/162
 D834,539 S * 11/2018 Poulheim D13/164
 D834,540 S * 11/2018 Poulheim D13/164
 D835,051 S * 12/2018 Poulheim D13/162
 D874,950 S * 2/2020 Gentle D10/50
 D887,997 S * 6/2020 Poulheim D13/177
 D900,062 S * 10/2020 Park D14/217
 D901,059 S * 11/2020 Su D26/72
 11,096,264 B1 * 8/2021 Fu H05B 47/17
 D936,268 S * 11/2021 Shalvi D26/76
 D936,269 S * 11/2021 Shalvi D26/76
 D938,389 S * 12/2021 Park D14/217
 D938,390 S * 12/2021 Park D14/217
 D938,391 S * 12/2021 Park D14/217
 D938,392 S * 12/2021 Park D14/217
 D938,393 S * 12/2021 Park D14/217
 D938,395 S * 12/2021 Park D14/217
 D938,939 S * 12/2021 Park D14/217
 D939,472 S * 12/2021 Kim D14/217
 D939,473 S * 12/2021 Kim D14/217
 D939,474 S * 12/2021 Kim D14/217
 D940,104 S * 1/2022 Kim D14/217
 D940,105 S * 1/2022 Kim D14/217
 D941,265 S * 1/2022 Kim D14/217
 D941,266 S * 1/2022 Kim D14/217
 D941,267 S * 1/2022 Kim D14/217
 D941,268 S * 1/2022 Kim D14/217
 2014/0376266 A1 * 12/2014 Myers G02B 6/009
 362/612
 2014/0376267 A1 * 12/2014 Myers G02B 6/0083
 362/612
 2015/0036387 A1 * 2/2015 Myers F21V 23/002
 362/646
 2017/0025835 A1 * 1/2017 Johnson H02G 3/14

* cited by examiner

FIG. 1

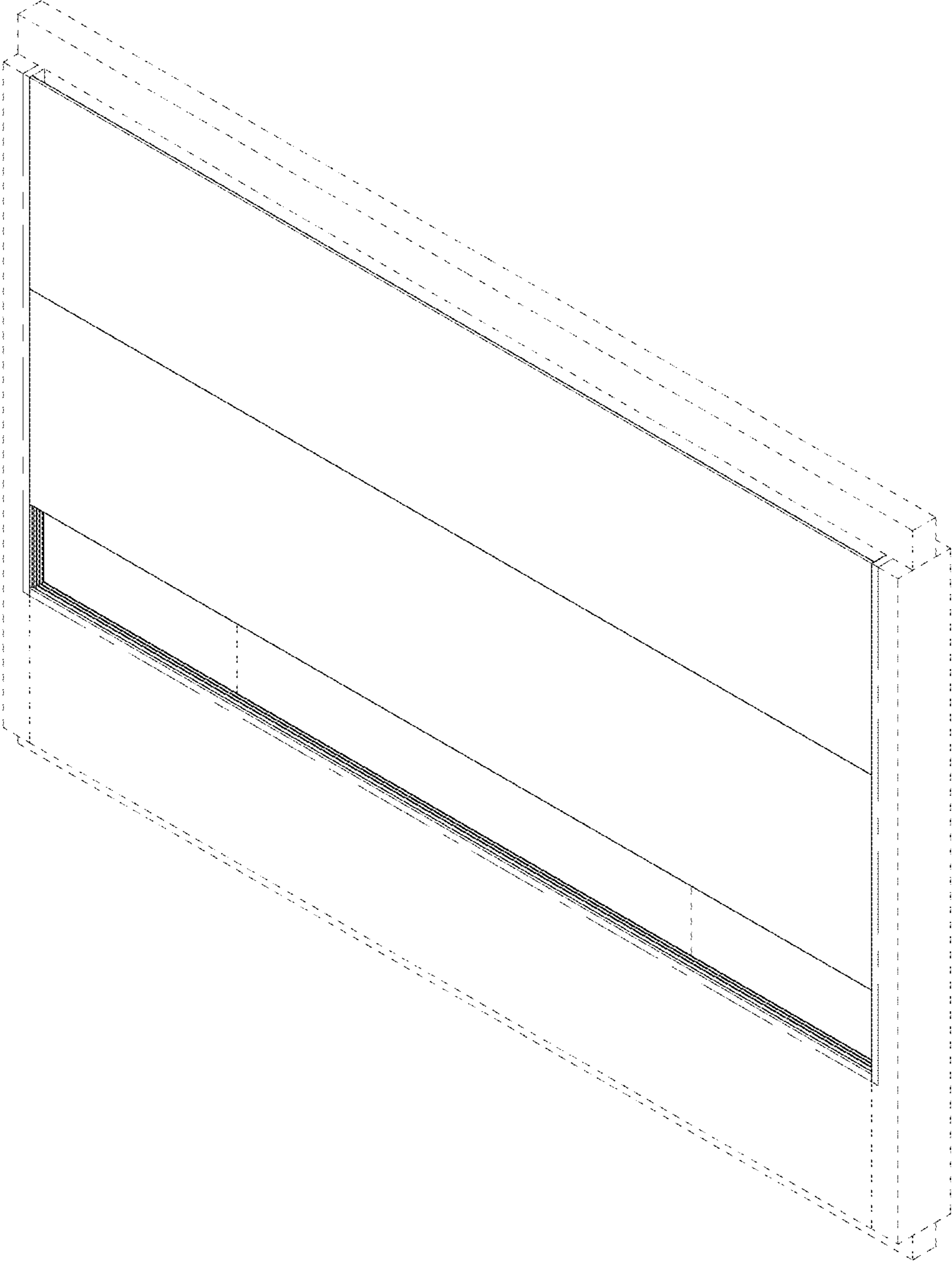


FIG. 2

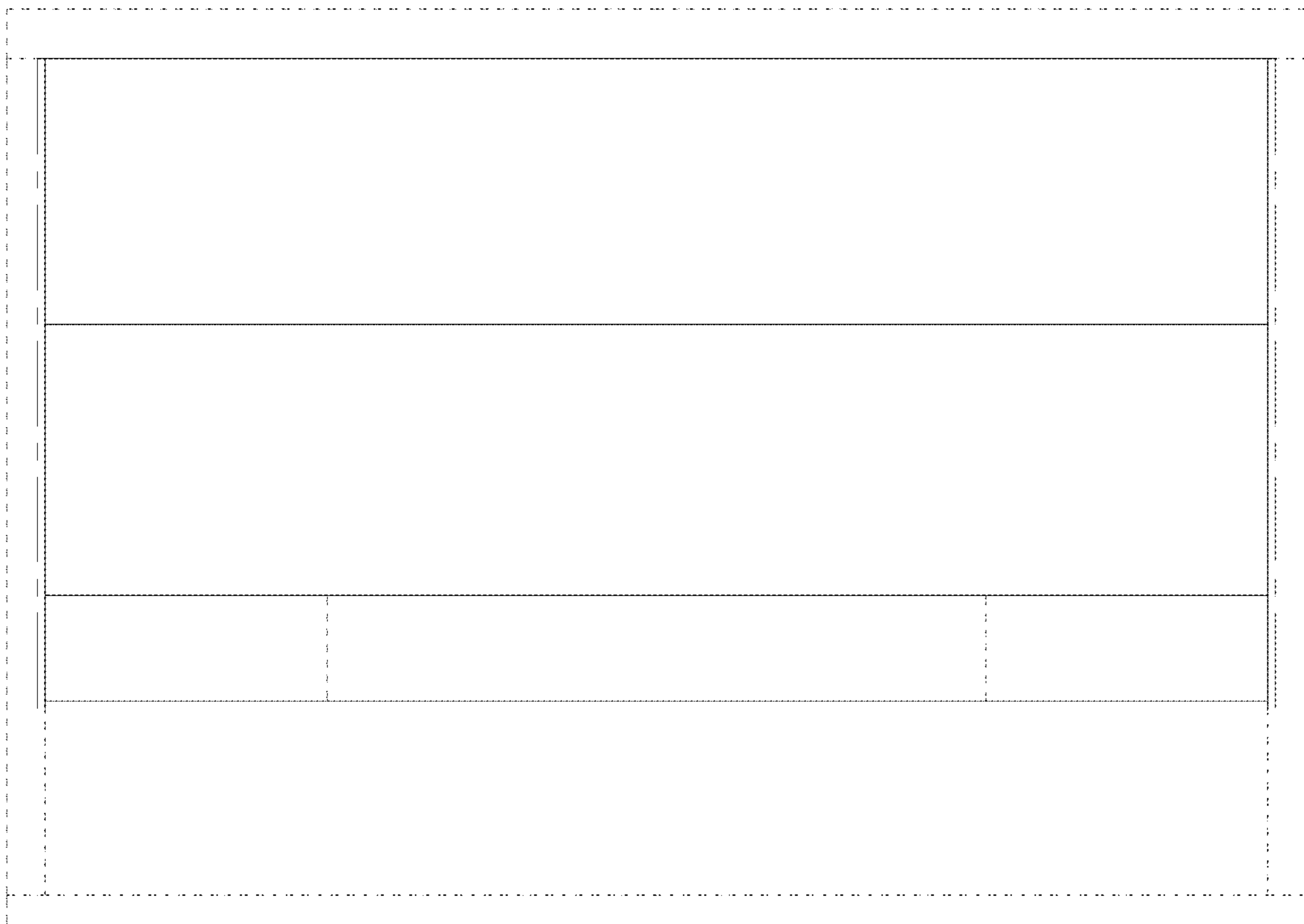


FIG. 3



FIG. 4

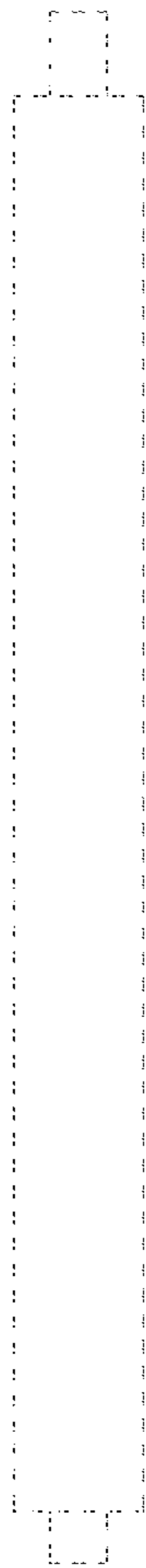


FIG. 5



FIG. 6



FIG. 7

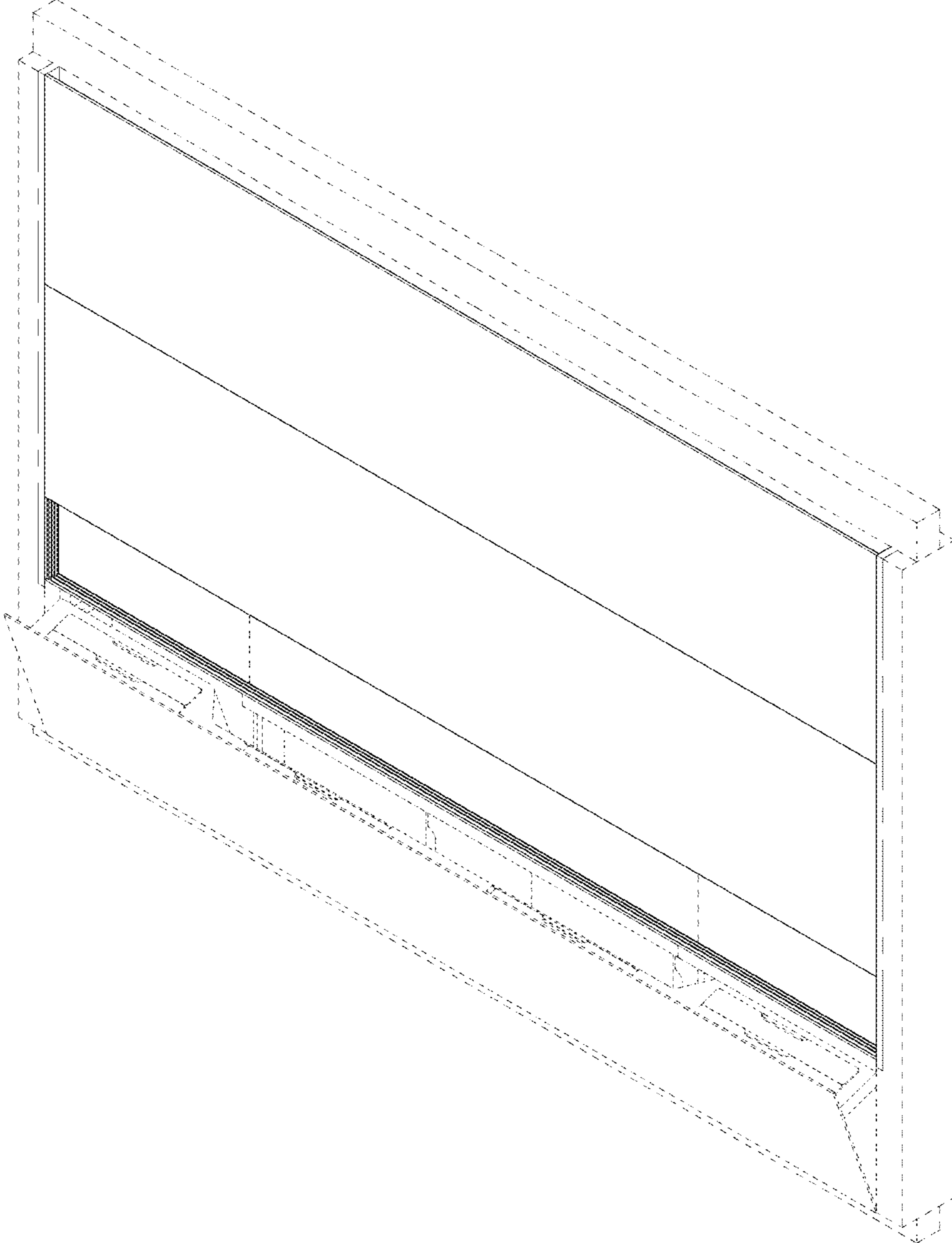


FIG. 8

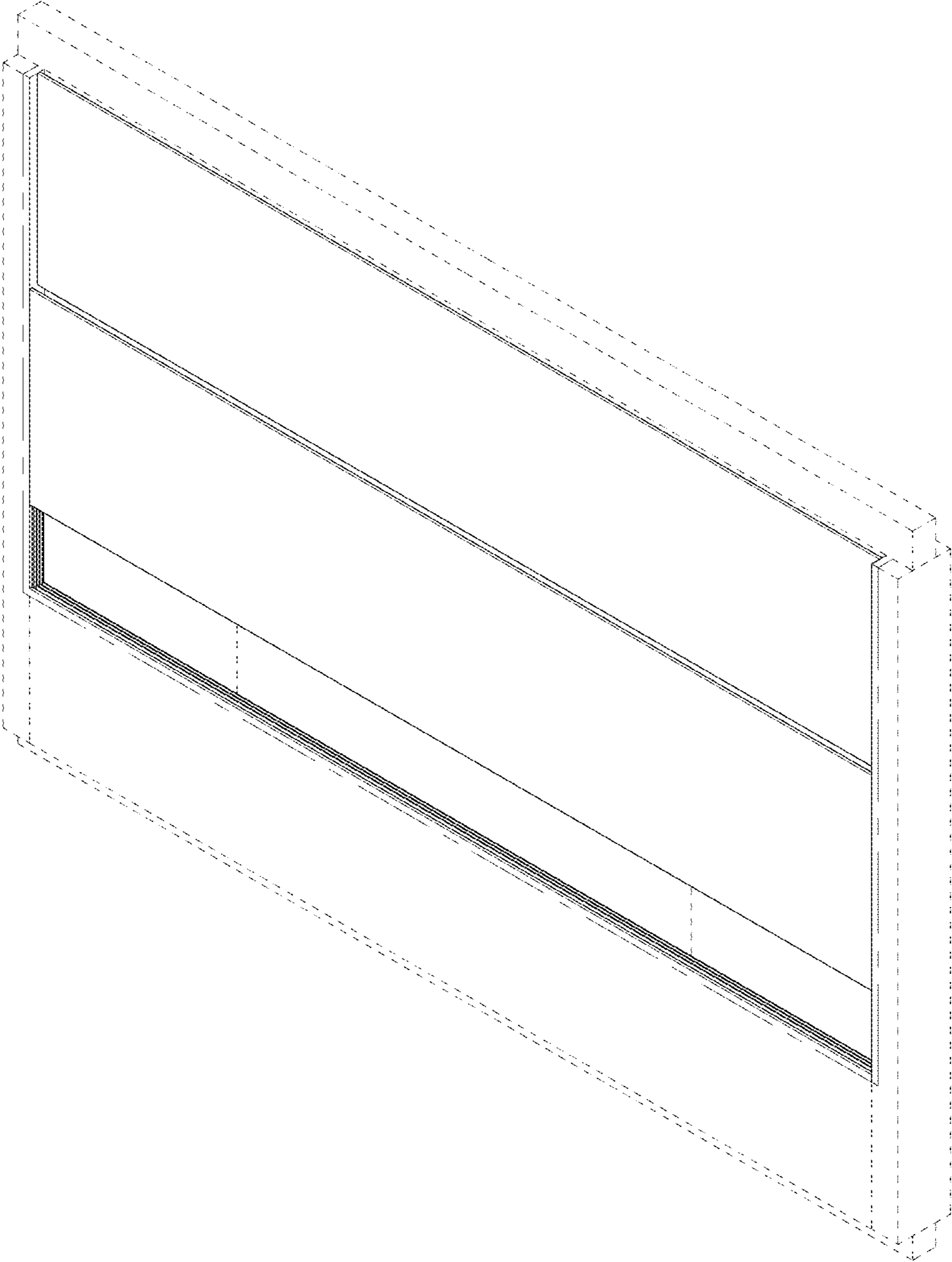


FIG. 9

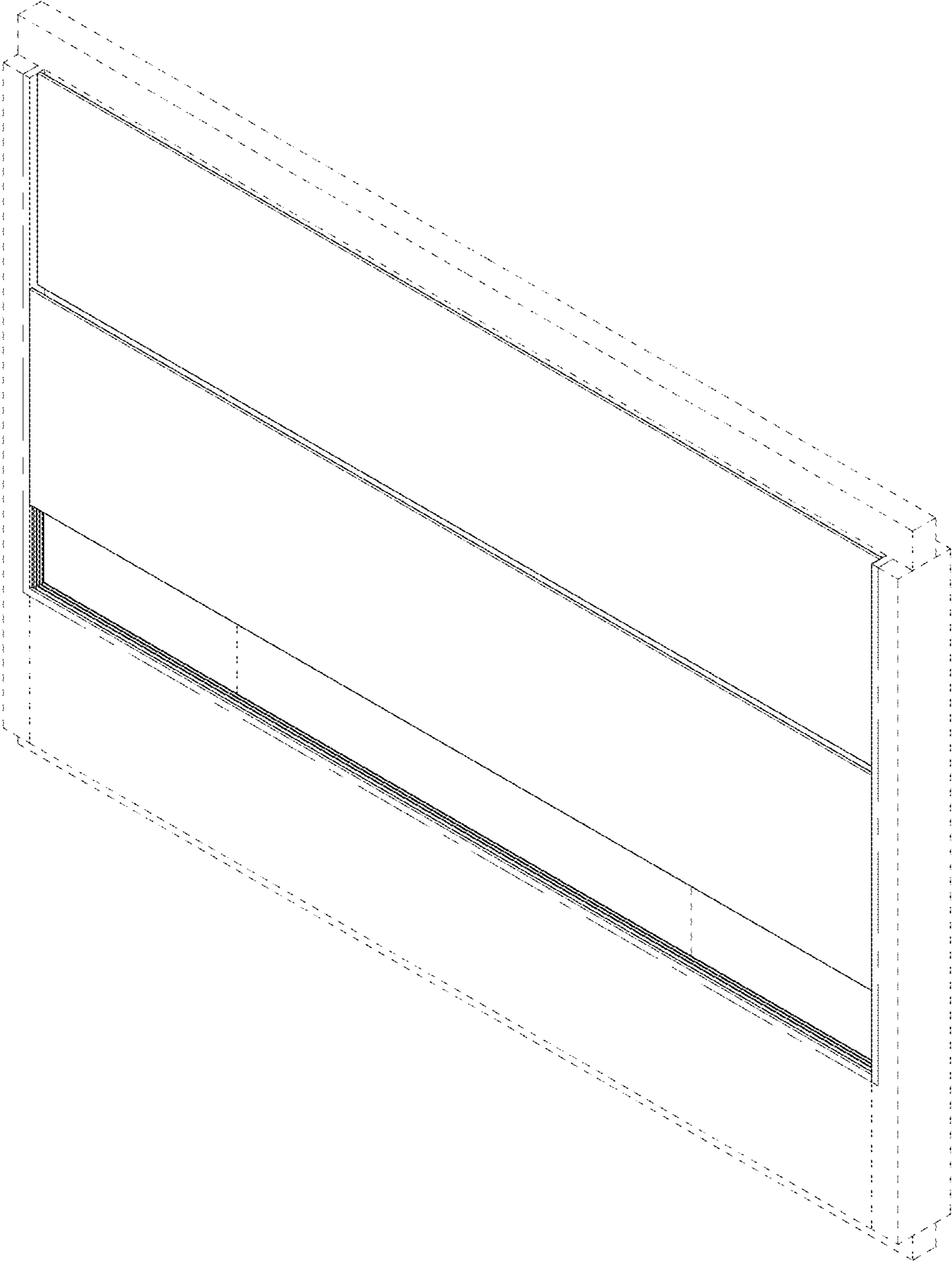


FIG. 10

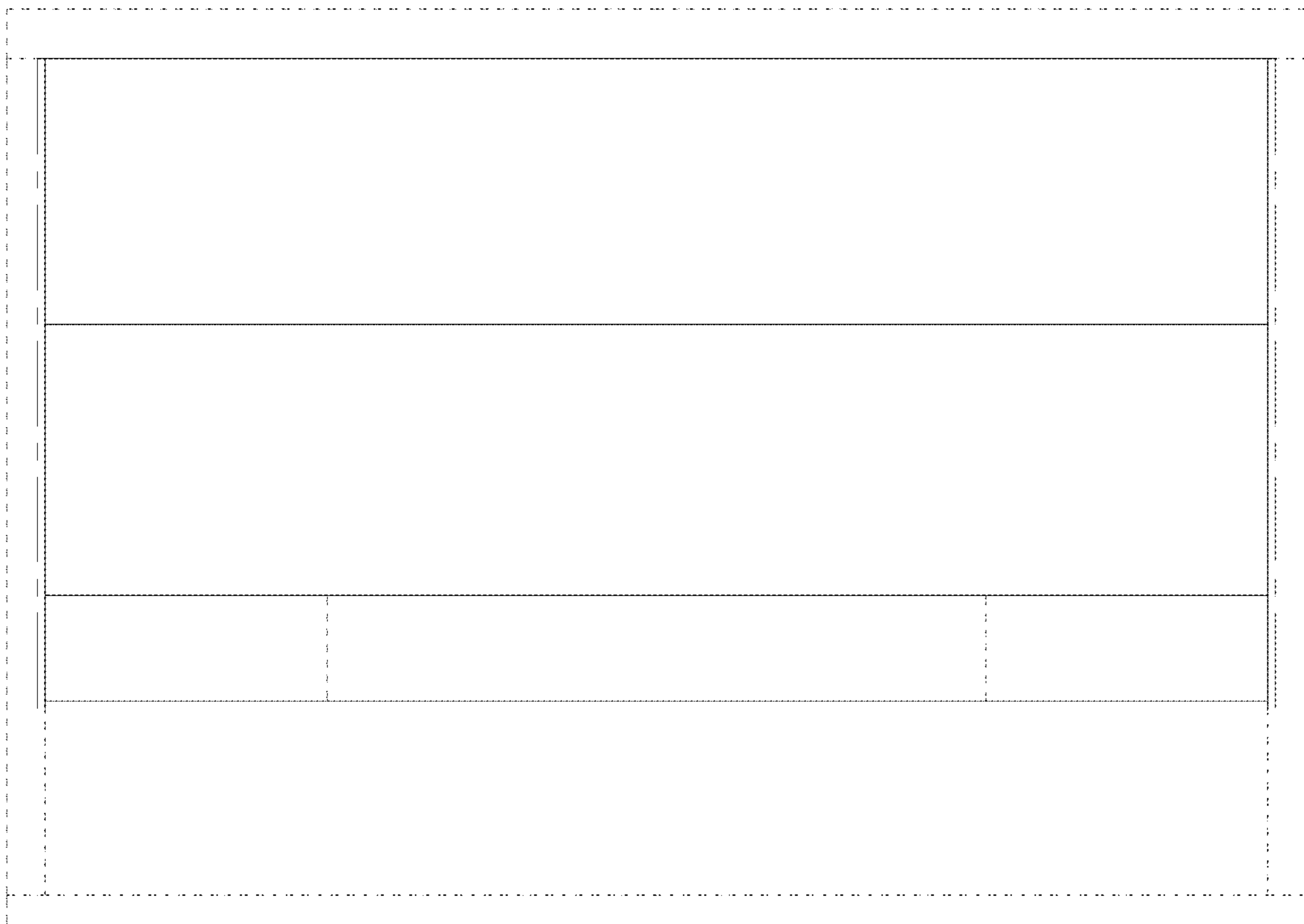


FIG. 11



FIG. 12



FIG. 13

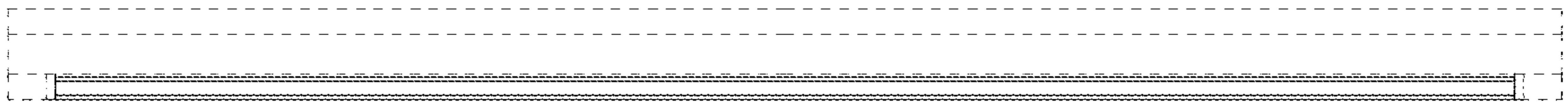


FIG. 14



FIG. 15

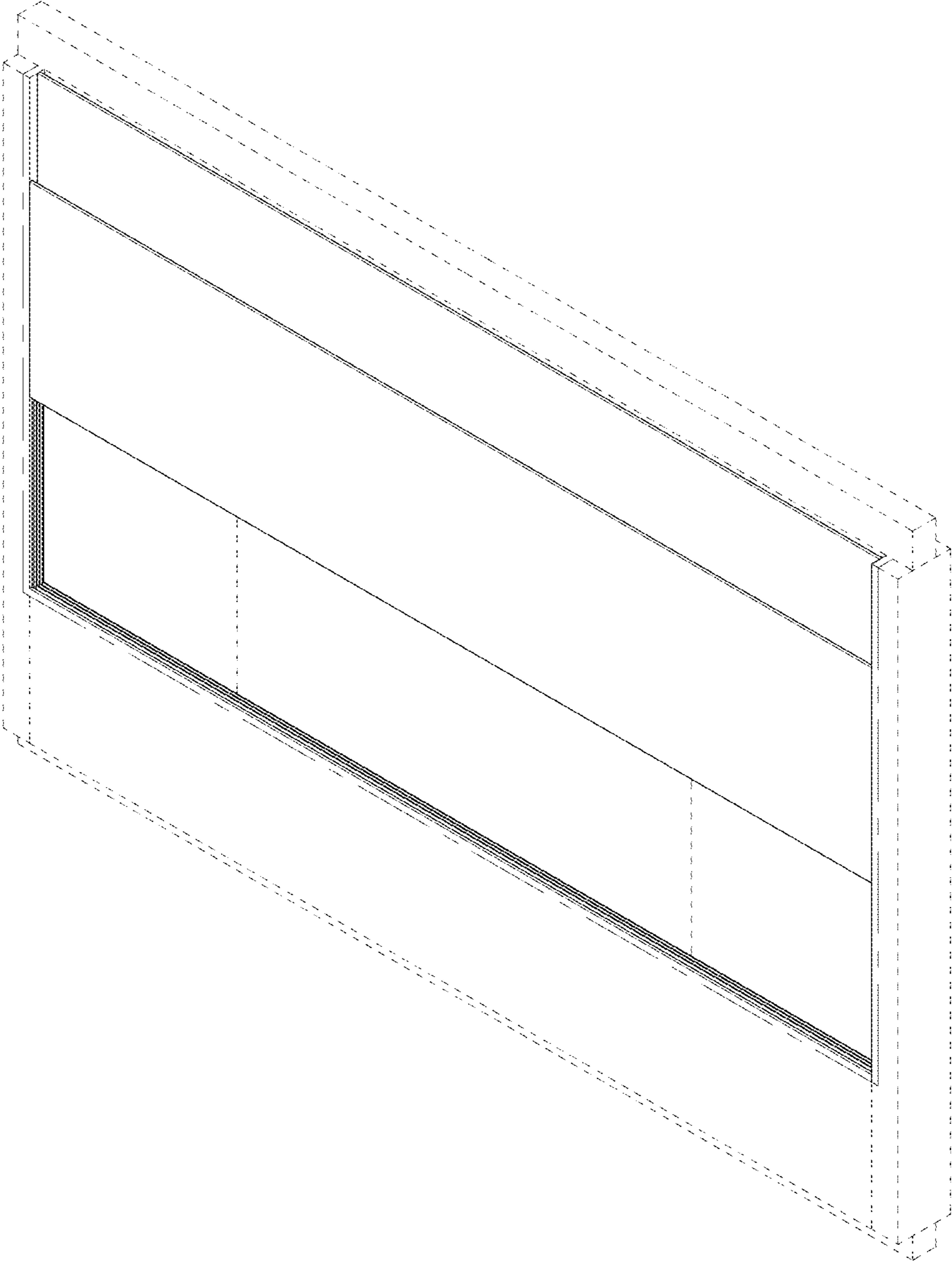


FIG. 16

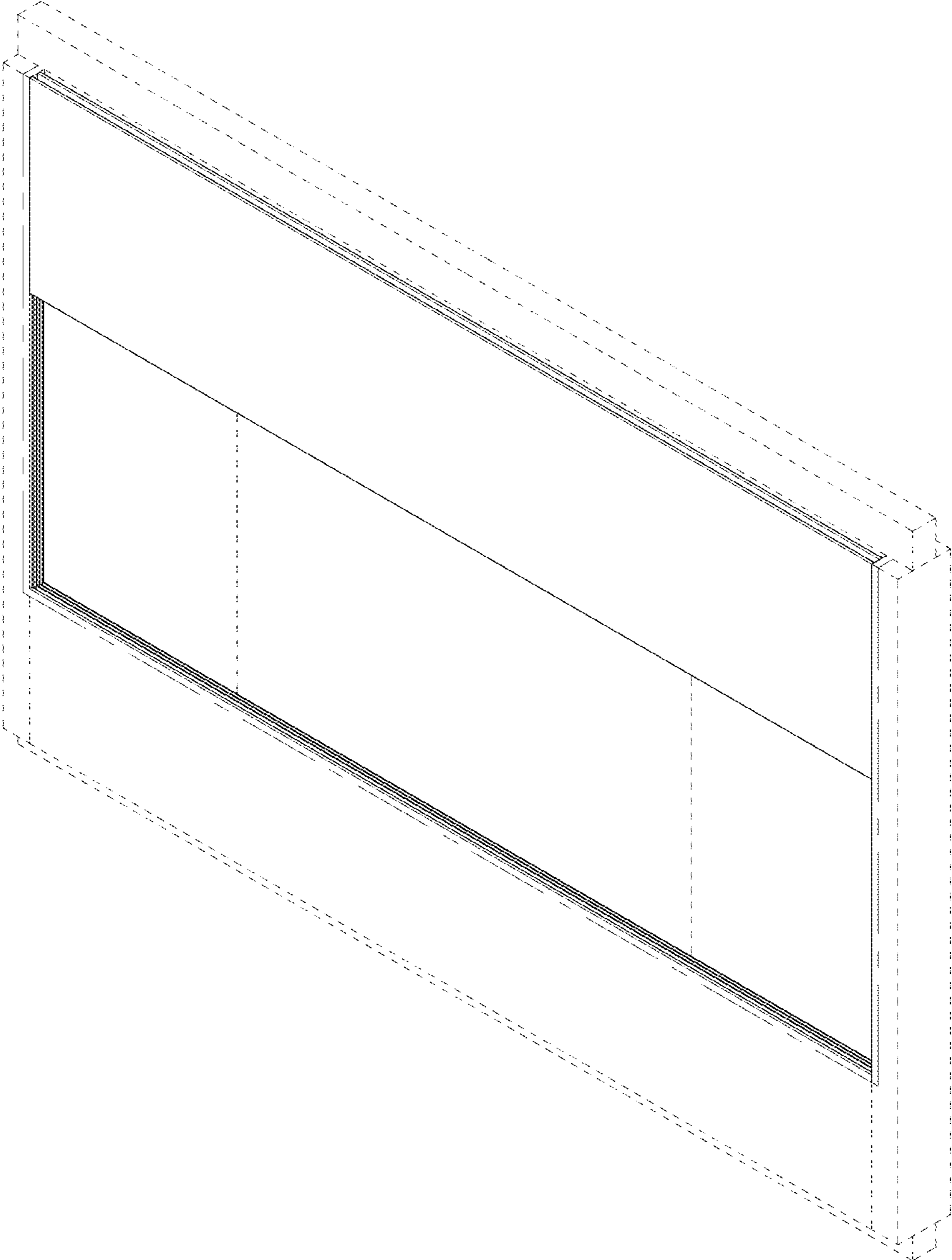


FIG. 17



FIG. 18



FIG. 19

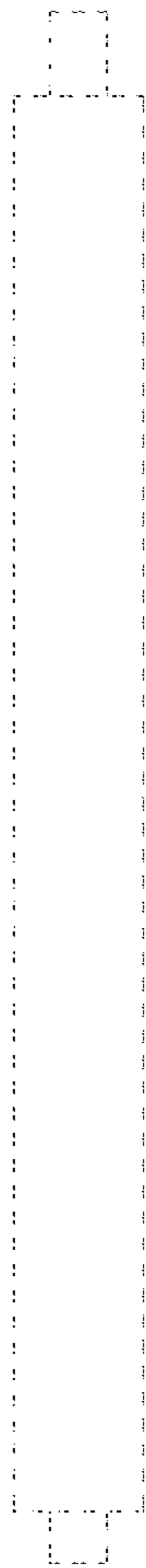


FIG. 20

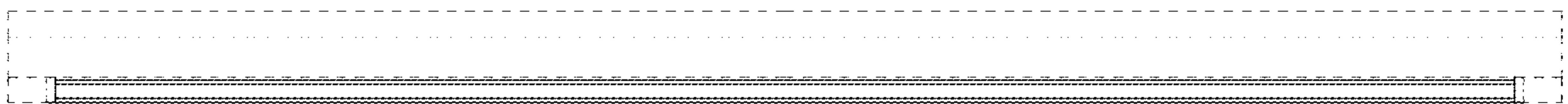


FIG. 21



FIG. 22

