

US00D966233S

(12) **United States Design Patent** (10) **Patent No.:** **US D966,233 S**
Lee et al. (45) **Date of Patent:** **** Oct. 11, 2022**

(54) **INDOOR WALL WITH BUILT-IN HOME APPLIANCES**

(71) Applicant: **LG ELECTRONICS INC.**, Seoul (KR)

(72) Inventors: **Bumsang Lee**, Seoul (KR); **Junghan Ryu**, Seoul (KR); **Taeho Kim**, Seoul (KR); **Kyusuh Park**, Seoul (KR); **Youngkyoung Kim**, Seoul (KR); **Jipyo Hong**, Seoul (KR); **Chulmin Lim**, Seoul (KR); **Mijin Jung**, Seoul (KR); **Junghyun Joo**, Seoul (KR); **Junki Kim**, Seoul (KR)

(73) Assignee: **LG ELECTRONICS INC.**, Seoul (KR)

(**) Term: **15 Years**

(21) Appl. No.: **29/724,036**

(22) Filed: **Feb. 12, 2020**

(30) **Foreign Application Priority Data**

Aug. 26, 2019 (KR) 30-2019-0040754

(51) **LOC (13) Cl.** **14-01**

(52) **U.S. Cl.**
USPC **D14/217; D26/110**

(58) **Field of Classification Search**
USPC D26/24, 34, 38, 52, 58, 72, 76, 110, 120, D26/138; D14/32-434; D13/162, 164, D13/171, 177, 199; D23/351-355, 357, D23/361, 385

CPC H05B 47/105; H05B 47/11; H05B 47/155; H05B 47/16; H05B 47/175; H05B 47/19; H05B 45/10; H05B 45/20; H05B 45/00; F21Y 2105/00; F21Y 2105/14; F21Y 2105/16; F21V 21/00; F21V 21/02; F21V 21/04

See application file for complete search history.

(56) **References Cited**

U.S. PATENT DOCUMENTS

D297,507 S *	9/1988	Yandek	D8/353
D493,244 S *	7/2004	Engel	D26/76
D783,020 S *	4/2017	Inoue	D14/374
9,664,365 B2 *	5/2017	Myers	G02B 6/0068
D804,711 S *	12/2017	Leadford	D26/120
D813,177 S *	3/2018	Poulheim	D13/164
D831,582 S *	10/2018	Poulheim	D13/162
D831,583 S *	10/2018	Poulheim	D13/164
D832,225 S *	10/2018	Poulheim	D13/162
D833,987 S *	11/2018	Poulheim	D13/164

(Continued)

Primary Examiner — Wan Laymon

Assistant Examiner — Clint A Samuel

(74) *Attorney, Agent, or Firm* — Birch, Stewart, Kolasch & Birch, LLP

(57) **CLAIM**

The ornamental design for an indoor wall with built-in home appliances, as shown and described.

DESCRIPTION

FIG. 1 is a front perspective view of the indoor wall with built-in home appliances showing our new design;

FIG. 2 is a front view thereof;

FIG. 3 is a rear view thereof;

FIG. 4 is a left side view thereof;

FIG. 5 is a right side view thereof;

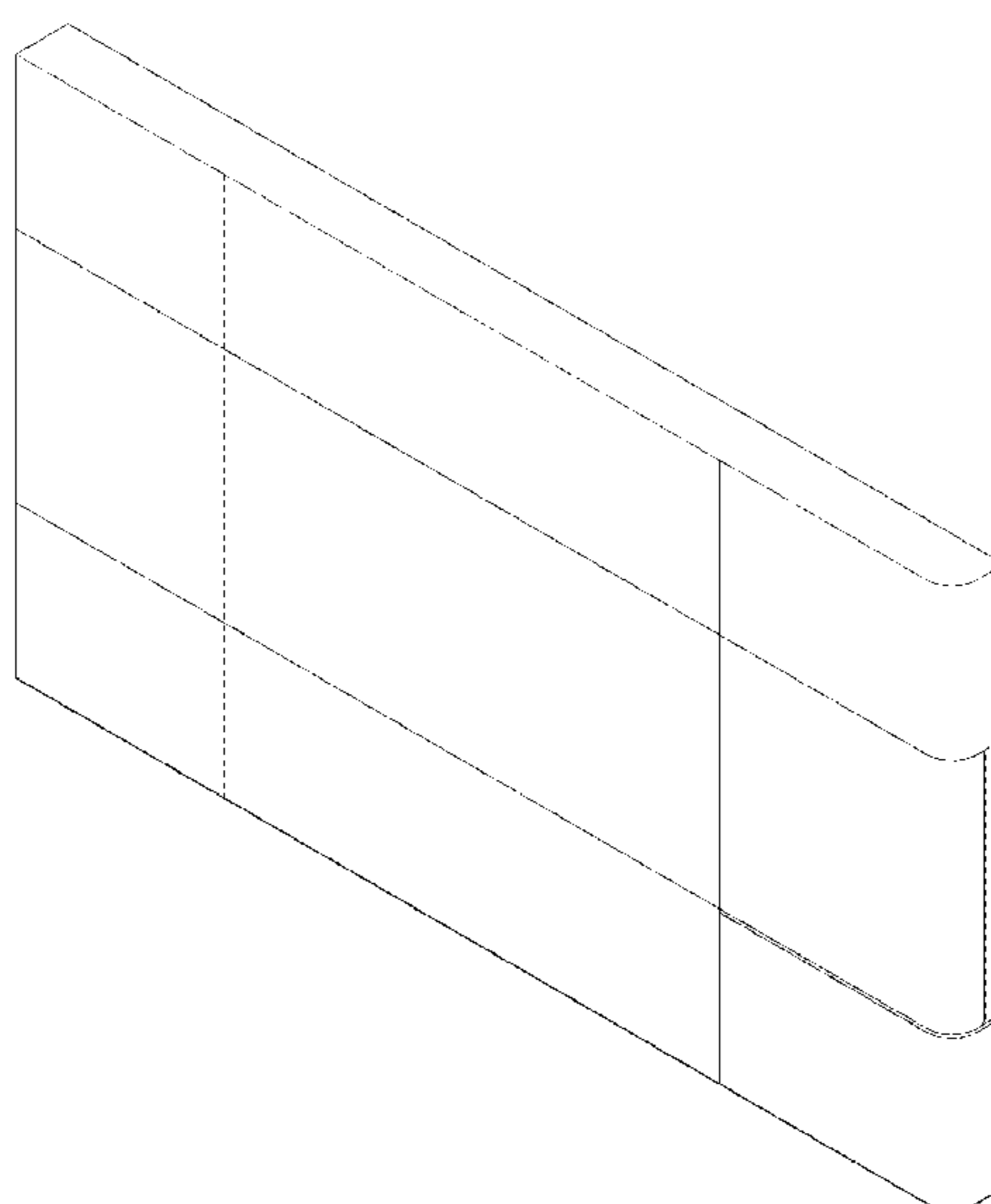
FIG. 6 is a top view thereof;

FIG. 7 is a bottom view thereof; and,

FIG. 8 is a reference view showing the use state that the widgets are displayed on the front center upper cover of the claimed design.

The broken line showing in the drawings is included for the purpose of illustrating portions of the indoor wall with built-in home appliances and forms no part of the claimed design.

1 Claim, 8 Drawing Sheets



(56)

References Cited

U.S. PATENT DOCUMENTS

D834,535 S * 11/2018 Poulheim D13/162
 D834,538 S * 11/2018 Poulheim D13/162
 D834,539 S * 11/2018 Poulheim D13/164
 D834,540 S * 11/2018 Poulheim D13/164
 D835,051 S * 12/2018 Poulheim D13/162
 D874,950 S * 2/2020 Gentle D10/50
 D887,997 S * 6/2020 Poulheim D13/177
 D900,062 S * 10/2020 Park D14/217
 D901,059 S * 11/2020 Su D26/72
 D906,291 S * 12/2020 Park D14/217
 11,096,264 B1 * 8/2021 Fu H05B 47/17
 D936,268 S * 11/2021 Shalvi D26/76
 D936,269 S * 11/2021 Shalvi D26/76
 D938,389 S * 12/2021 Park D14/217
 D938,390 S * 12/2021 Park D14/217
 D938,391 S * 12/2021 Park D14/217
 D938,392 S * 12/2021 Park D14/217
 D938,393 S * 12/2021 Park D14/217
 D938,394 S * 12/2021 Park D14/217

D938,395 S * 12/2021 Park D14/217
 D938,396 S * 12/2021 Kim D14/217
 D938,939 S * 12/2021 Park D14/217
 D939,472 S * 12/2021 Kim D14/217
 D939,473 S * 12/2021 Kim D14/217
 D939,474 S * 12/2021 Kim D14/217
 D940,104 S * 1/2022 Kim D14/217
 D940,105 S * 1/2022 Kim D14/217
 D941,265 S * 1/2022 Kim D14/217
 D941,266 S * 1/2022 Kim D14/217
 D941,267 S * 1/2022 Kim D14/217
 D941,268 S * 1/2022 Kim D14/217
 D941,817 S * 1/2022 Lee D14/373
 2014/0376266 A1 * 12/2014 Myers F21K 9/61
 362/612
 2014/0376267 A1 * 12/2014 Myers F21K 9/61
 362/612
 2015/0036387 A1 * 2/2015 Myers F21V 23/002
 362/646
 2017/0025835 A1 * 1/2017 Johnson H02G 3/14
 2021/0004192 A1 * 1/2021 Kamiike H05K 5/0217

* cited by examiner

FIG. 1

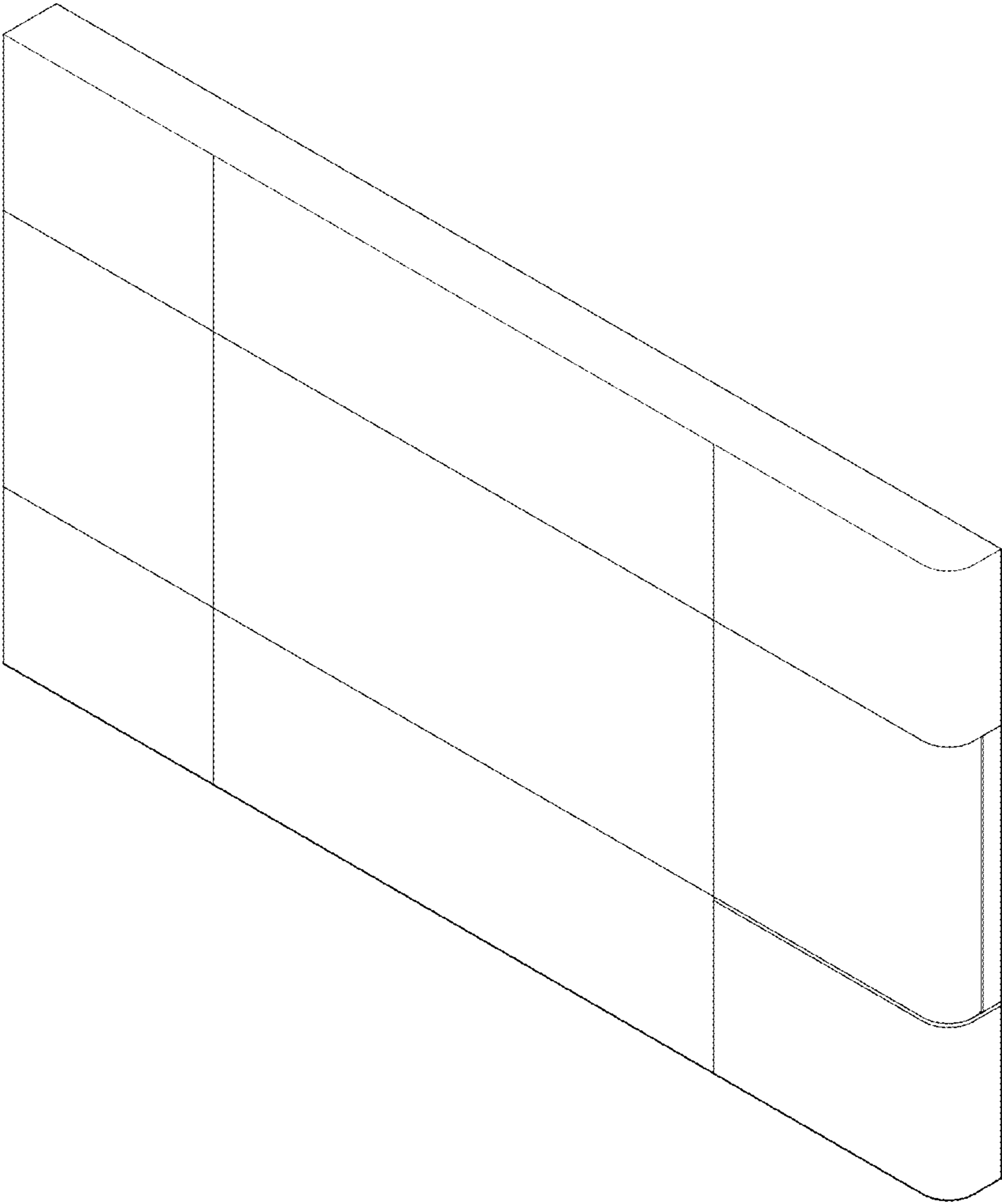


FIG. 2

FIG. 3

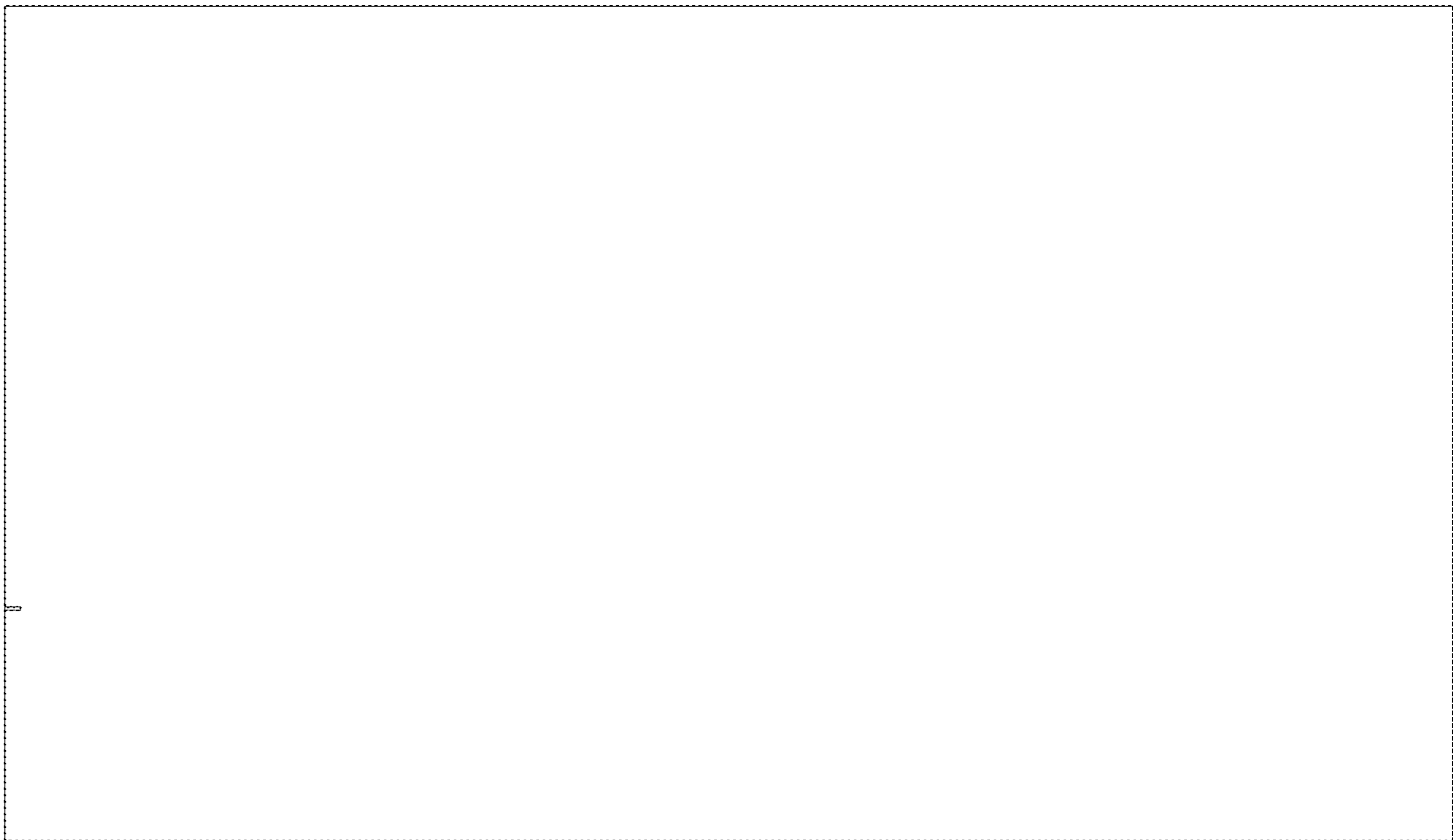


FIG. 4



FIG. 5

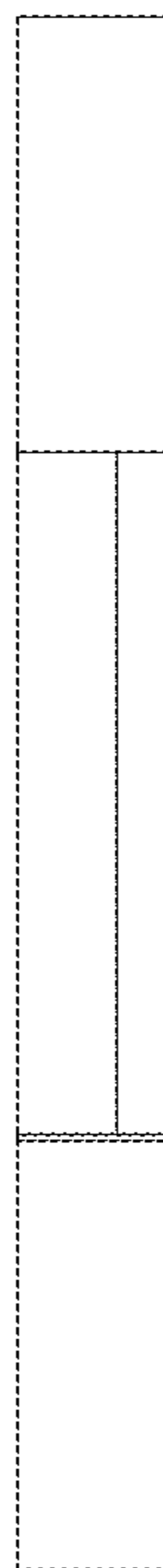


FIG. 6

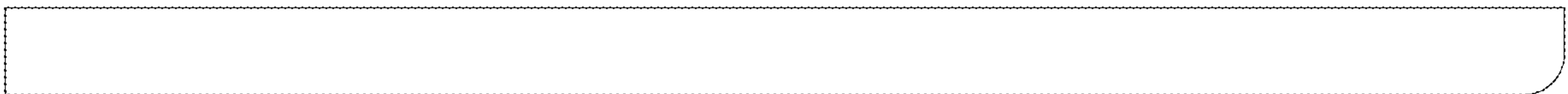


FIG. 7

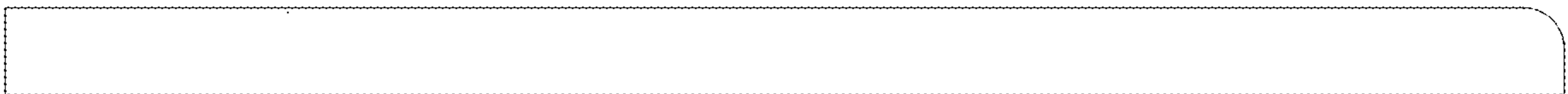


FIG. 8

		☁18° ○01:04