



US00D966231S

(12) **United States Design Patent** (10) **Patent No.:** **US D966,231 S**
Jeong et al. (45) **Date of Patent:** **** Oct. 11, 2022**

(54) **HEADSET**
(71) Applicant: **DLOGIXS CO., LTD**, Anyang-si (KR)
(72) Inventors: **In Taek Jeong**, Uiwang-si (KR); **Sung Kee Park**, Seongnam-si (KR); **Keun Young Hur**, Yongin-si (KR); **Tae Il Choi**, Seoul (KR)

(**) Term: **15 Years**

(21) Appl. No.: **35/512,517**

(22) Filed: **Mar. 10, 2021**

(80) **Hague Agreement Data**

Int. Filing Date: **Mar. 10, 2021**
Int. Reg. No.: **DM/215082**
Int. Reg. Date: **Mar. 10, 2021**
Int. Reg. Pub. Date: **Sep. 10, 2021**

(51) **LOC (13) Cl.** **14-01**

(52) **U.S. Cl.**
USPC **D14/205**

(58) **Field of Classification Search**

USPC D14/205, 188, 192; D24/174, 106,
D24/186-187; 381/380-381, 378
CPC H04R 1/10; H04R 25/00; H04R 25/02;
H04R 1/1016; H04R 1/1066; H04R
5/033; H04R 5/0335; A45D 8/36; A45D
8/00

See application file for complete search history.

(56) **References Cited**

U.S. PATENT DOCUMENTS

1,747,778 A * 2/1930 Kuchenmeister H04R 1/10
381/370
2,501,107 A * 3/1950 Volkmann H04R 5/0335
381/374
3,301,253 A * 1/1967 Glorig A61F 11/08
128/866
D228,352 S * 9/1973 Itagaki D14/205

4,409,442 A * 10/1983 Kamimura H04R 5/0335
381/370
D287,849 S * 1/1987 O'Malley D14/206
D318,053 S * 7/1991 Ludeke D14/206
5,829,062 A * 11/1998 Magidson A61F 11/12
2/209
6,123,168 A * 9/2000 Berg F16C 11/12
181/129
D457,515 S * 5/2002 Masamitsu D14/223
D482,019 S * 11/2003 Petersen D14/206
6,741,719 B1 * 5/2004 Orten H04R 1/1016
D14/206
D494,154 S * 8/2004 Polito D14/206

(Continued)

FOREIGN PATENT DOCUMENTS

CN 305227307 * 6/2019
CN 306128872 * 10/2020
CN 306350598 * 2/2021

Primary Examiner — Paula Allen Greene

(57) **CLAIM**

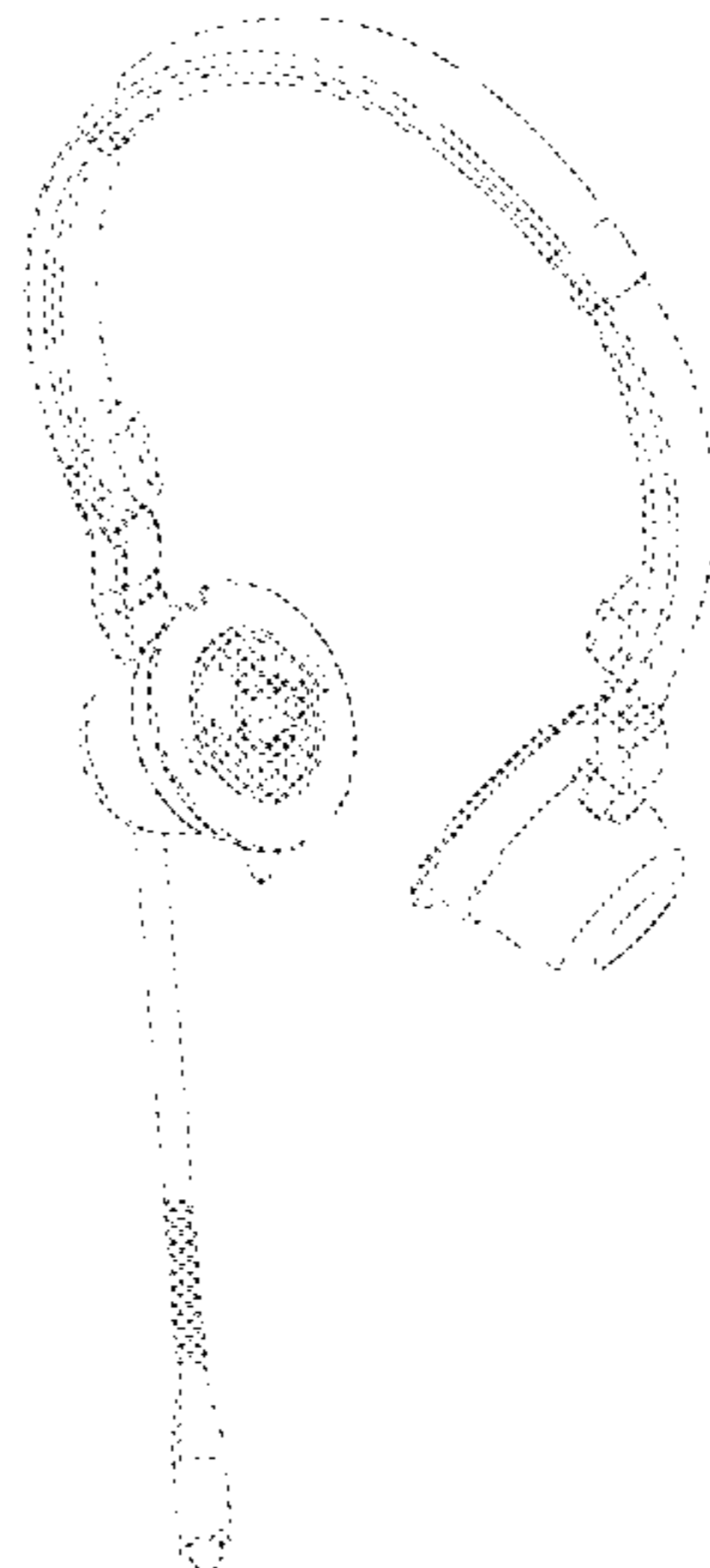
The ornamental design for a headset, as shown and described.

DESCRIPTION

- 1. Headset
- 1.1 : Perspective
- 1.2 : Front
- 1.3 : Back
- 1.4 : Left
- 1.5 : Right
- 1.6 : Top
- 1.7 : Bottom
- 1.8 : Reference view

Reproduction 1.1 is a perspective view of the headset; reproduction 1.2 is a front view thereof; reproduction 1.3 is a rear view thereof; reproduction 1.4 is a left side view thereof; reproduction 1.5 is a right side view thereof; reproduction 1.6 is a top view thereof; reproduction 1.7 is a bottom view thereof; reproduction 1.8 shows the design in use and forms no part of the claimed design.

1 Claim, 8 Drawing Sheets



(56)

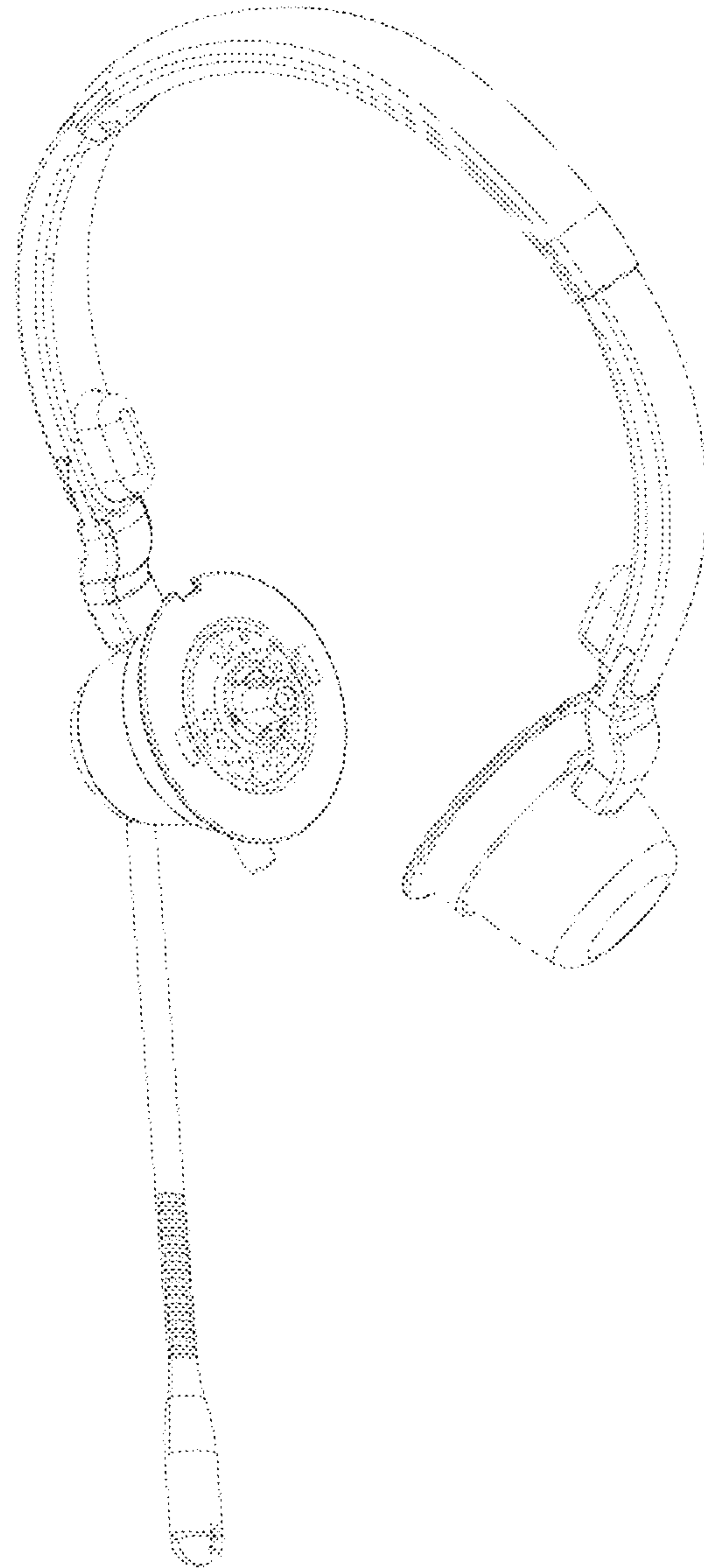
References Cited

U.S. PATENT DOCUMENTS

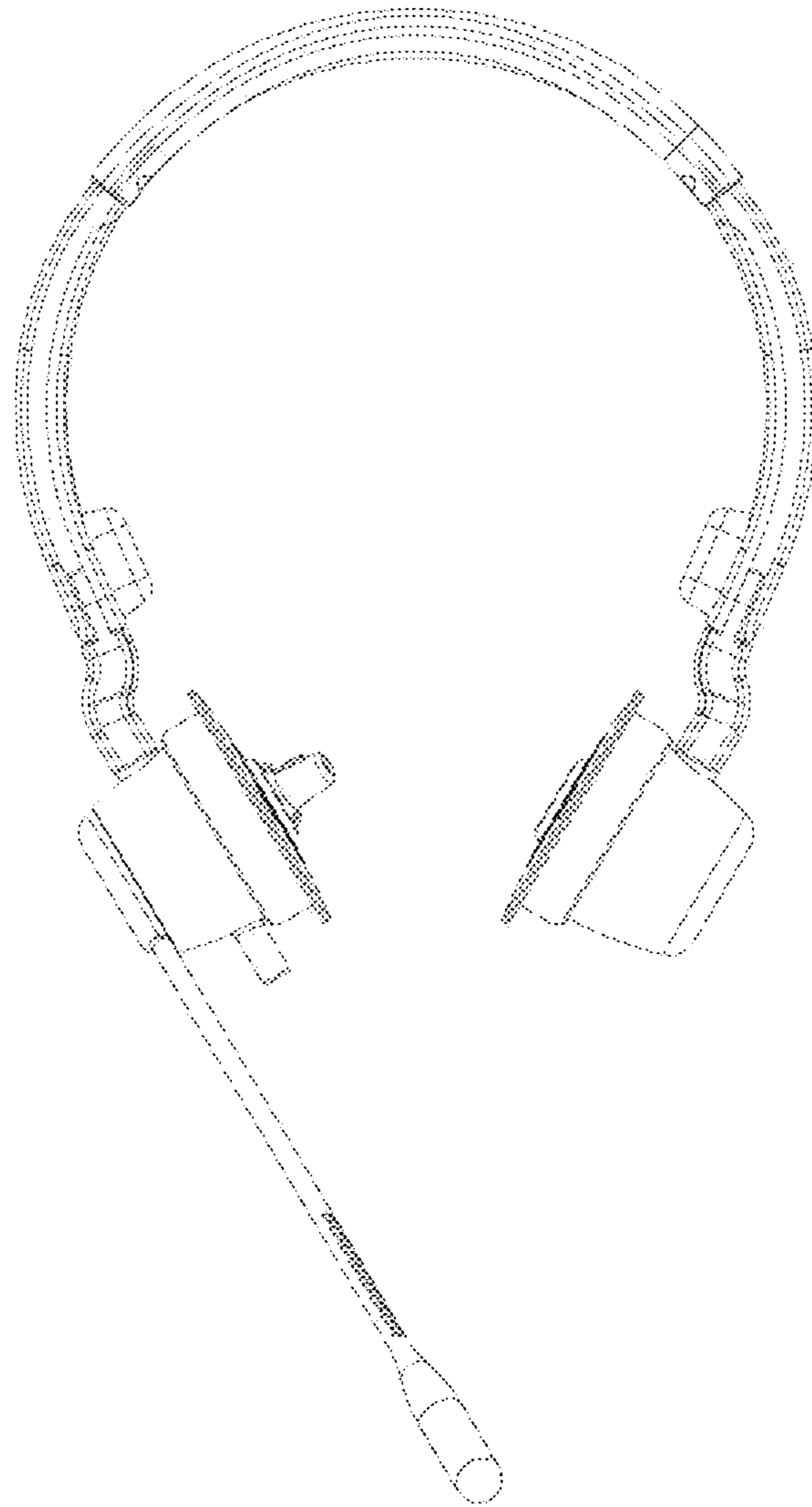
D505,413	S	*	5/2005	Skulley	D14/223
D514,086	S	*	1/2006	Skulley	D14/206
D517,528	S	*	3/2006	Skulley	D14/206
D518,479	S	*	4/2006	Skulley	D14/225
D530,307	S	*	10/2006	Rath	D14/206
D530,702	S	*	10/2006	Pritchard	D14/206
D531,165	S	*	10/2006	Rath	D14/206
D533,166	S	*	12/2006	Marquez	D14/225
D549,216	S	*	8/2007	Viduya	D14/206
D587,679	S	*	3/2009	Komiyama	D14/205
D590,810	S	*	4/2009	Komiyama	D14/205
D597,070	S	*	7/2009	Zheng	D14/205
D601,543	S	*	10/2009	Bentley	D14/206
D602,001	S	*	10/2009	Bentley	D14/206
D628,189	S	*	11/2010	Rath	D14/206
D633,471	S	*	3/2011	Sugiyama	D14/205
D645,023	S	*	9/2011	Brandis	D14/206
D653,234	S	*	1/2012	Lee	D14/205
D666,168	S	*	8/2012	Rath	D14/206
D673,524	S	*	1/2013	Brennwald	D14/206
D684,559	S	*	6/2013	Groset	D14/205
D686,593	S	*	7/2013	Larsen	D14/205
D691,113	S	*	10/2013	Gougherty	D14/206
D706,244	S	*	6/2014	Goransson	D14/225
D723,511	S	*	3/2015	Pedersen	D14/206
D732,001	S	*	6/2015	Licht	D14/205
9,167,347	B1	*	10/2015	Silberberg	H04R 1/1041
D752,017	S	*	3/2016	Daniel	D14/205
D835,080	S	*	12/2018	Chen	D14/225
D860,968	S	*	9/2019	Andersen	D14/205
2012/0039481	A1	*	2/2012	McClain	H04R 1/1066 381/74
2018/0184193	A1	*	6/2018	Zheng	H04R 1/105
2019/0346934	A1	*	11/2019	Schrader	G06F 3/017
2021/0051390	A1	*	2/2021	He	H04R 1/1066

* cited by examiner

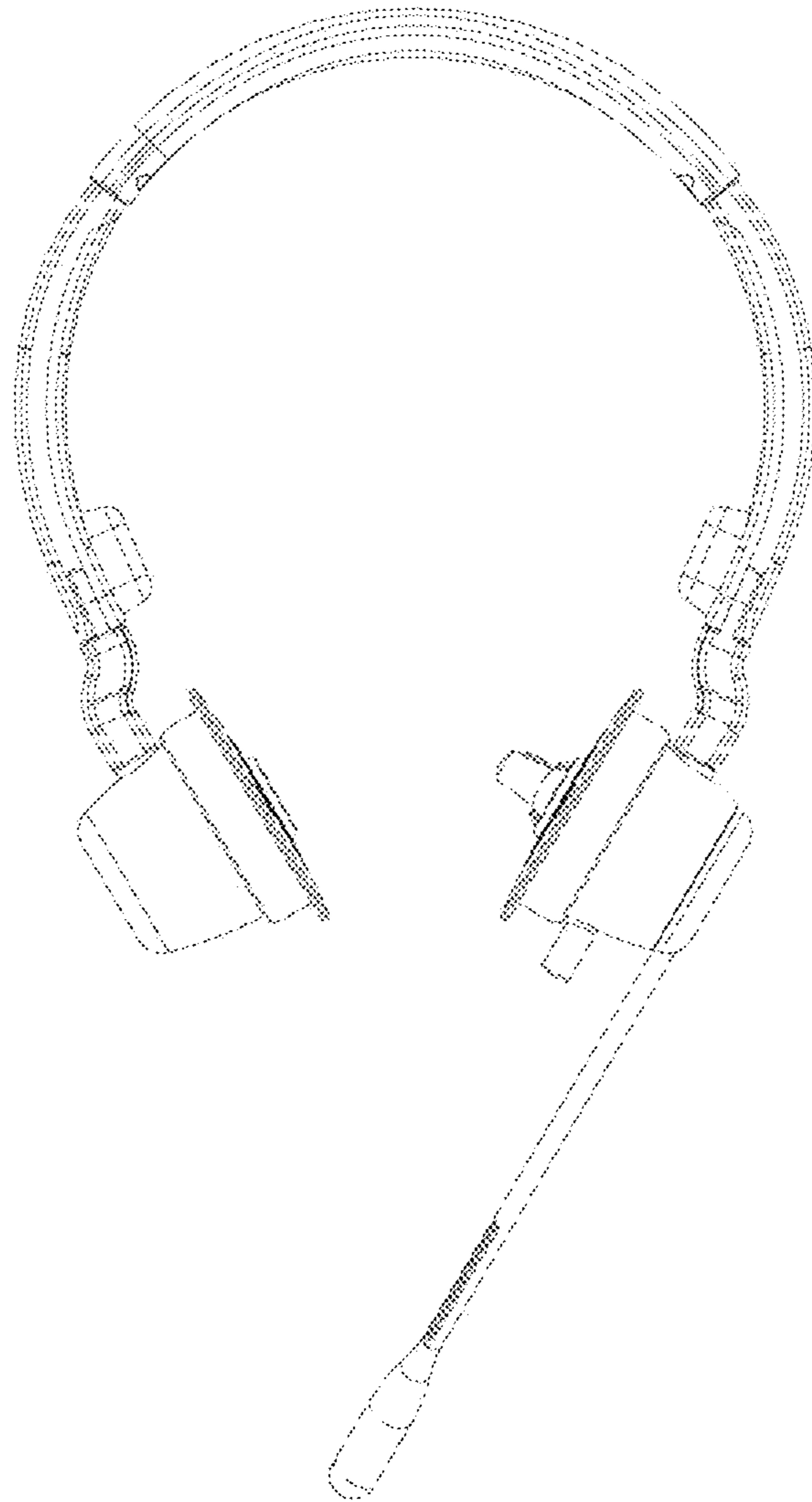
1.1



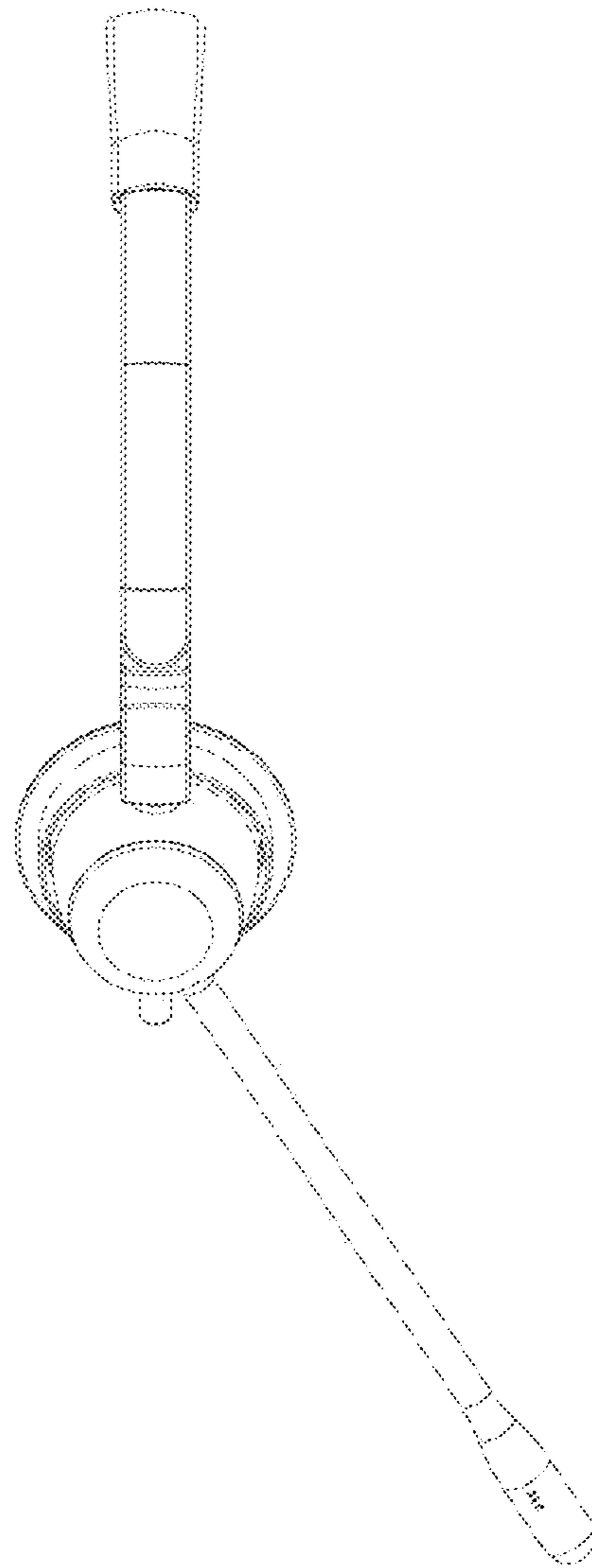
1.2



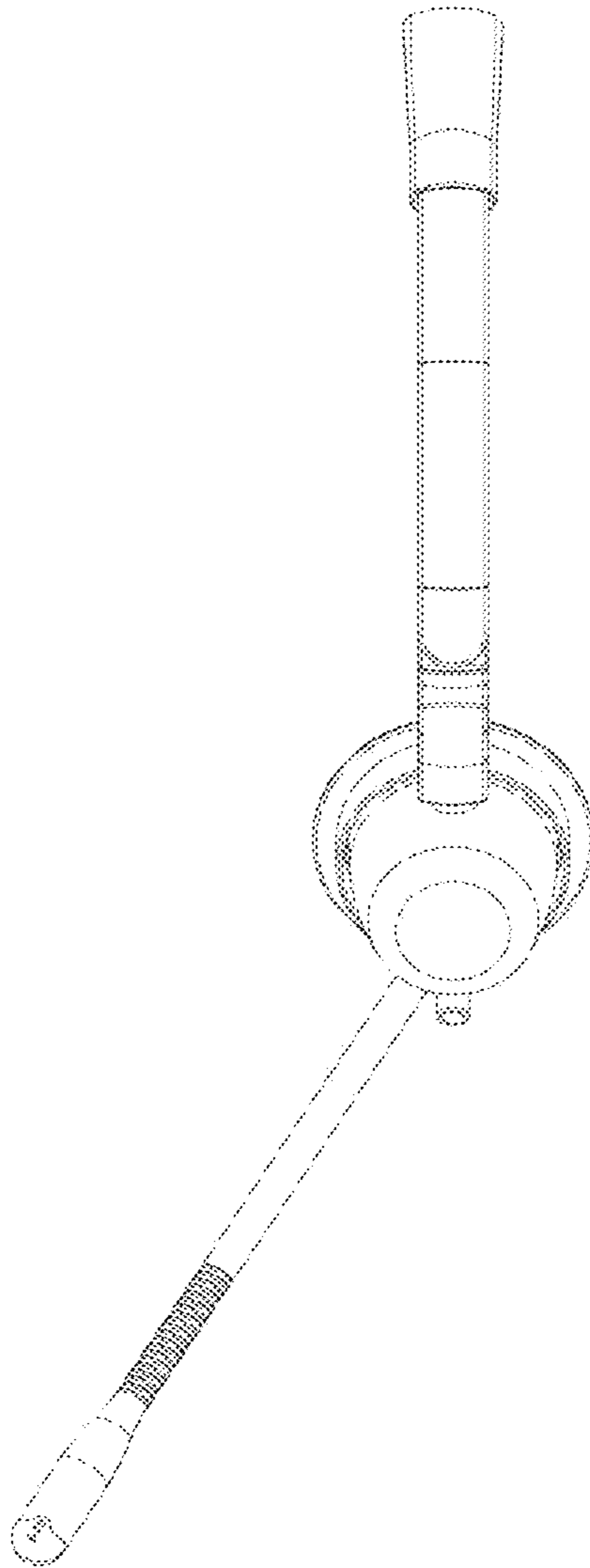
1.3

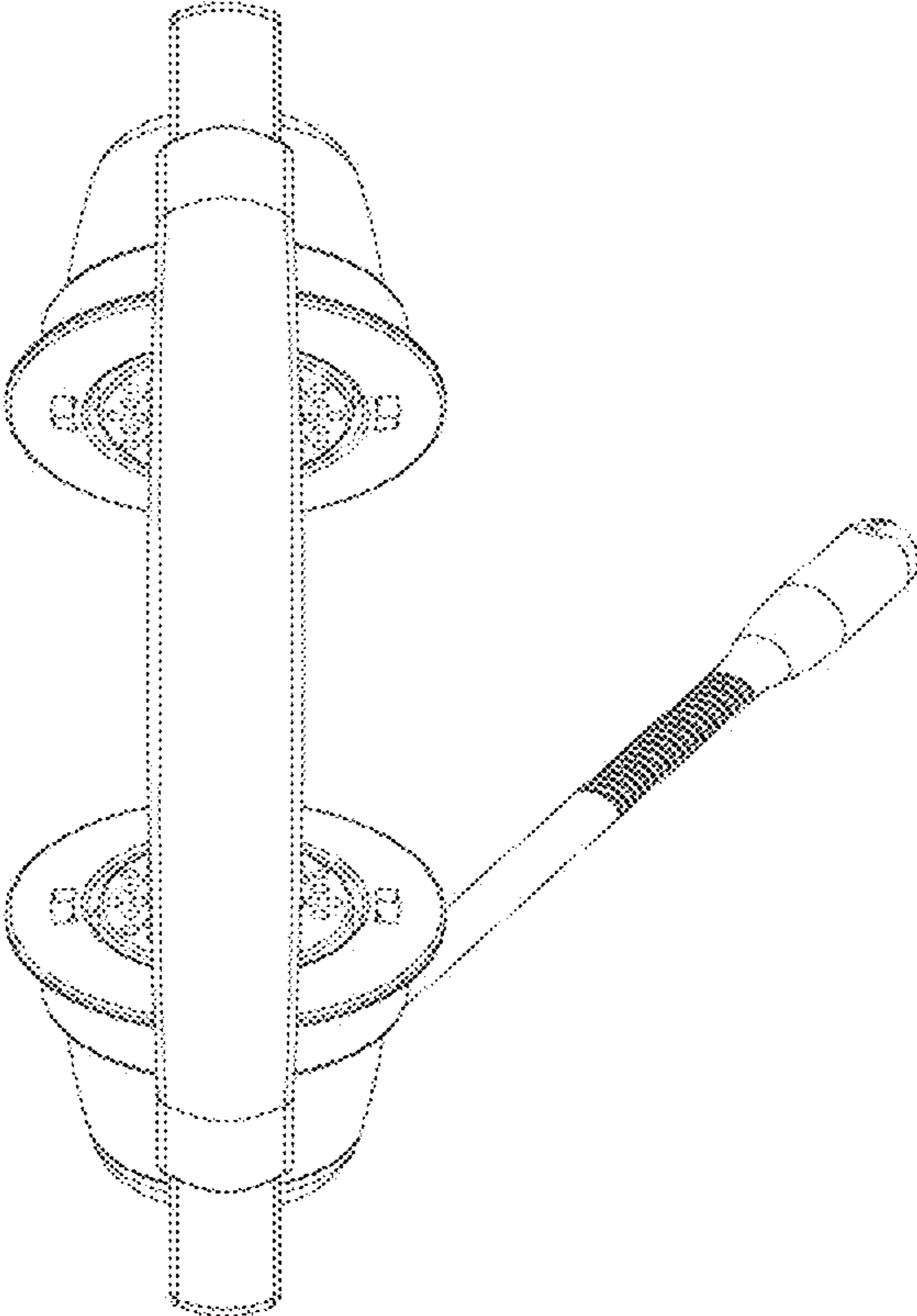


1.4

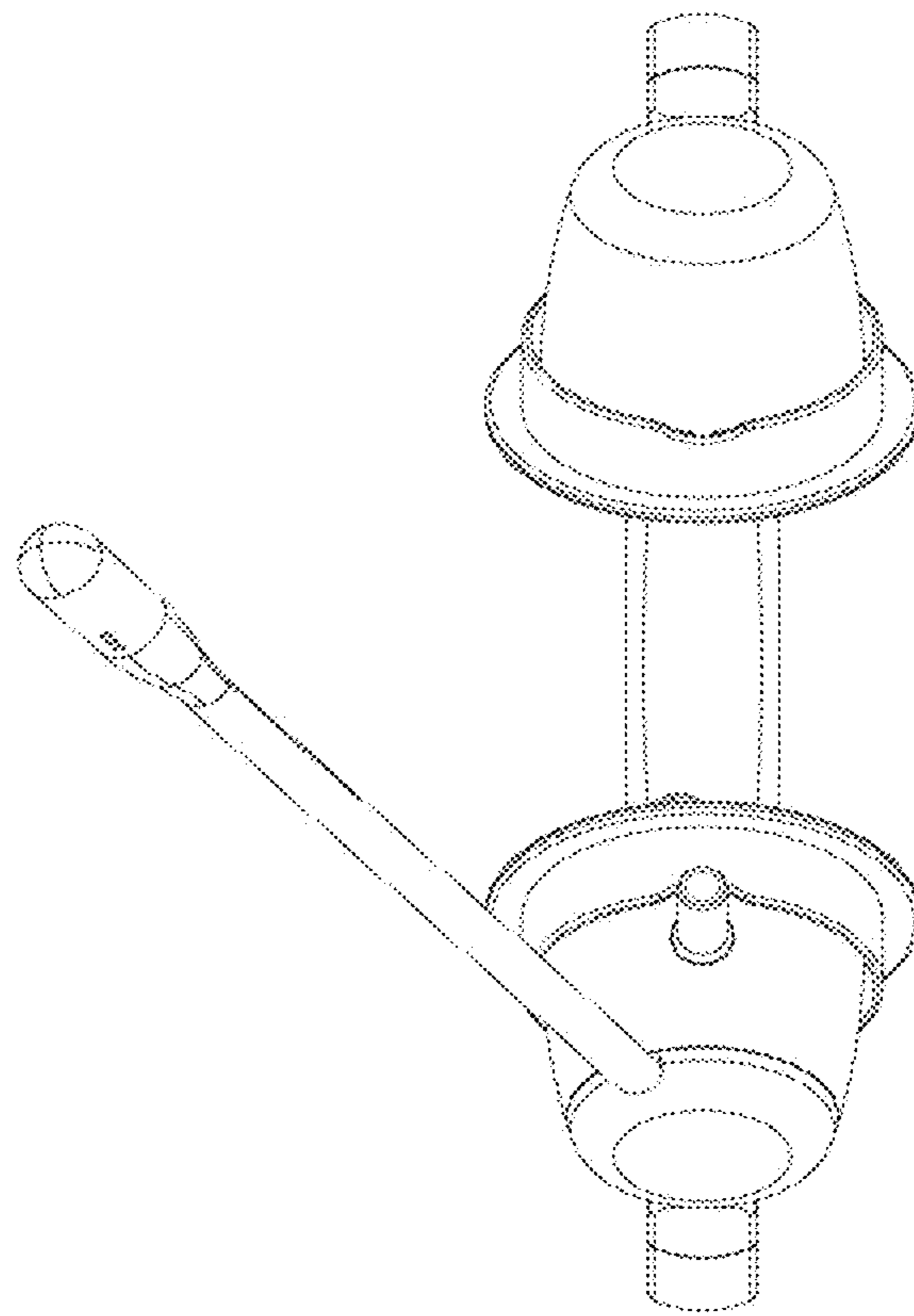


1.5





1.6



1.7

1.8

