



US00D966230S

(12) **United States Design Patent** (10) **Patent No.:** **US D966,230 S**  
**Ye** (45) **Date of Patent:** **\*\* Oct. 11, 2022**

(54) **WIRELESS EARPHONE**

5,113,967 A \* 5/1992 Killion ..... A61F 11/08  
181/135  
D427,304 S \* 6/2000 Magidson ..... D24/106  
6,148,821 A \* 11/2000 Falco ..... H04R 1/1016  
128/867

(71) Applicant: **Ting Ye**, Ganzhou (CN)

(72) Inventor: **Ting Ye**, Ganzhou (CN)

(Continued)

(\*\*) Term: **15 Years**

**FOREIGN PATENT DOCUMENTS**

(21) Appl. No.: **29/792,063**

CN 305285903 \* 8/2019  
CN 307100945 \* 2/2022

(22) Filed: **Mar. 1, 2022**

(Continued)

(30) **Foreign Application Priority Data**

*Primary Examiner* — Paula Allen Greene

Jan. 14, 2022 (CN) ..... 202230023925.3

(57) **CLAIM**

(51) **LOC (13) Cl.** ..... **14-01**

The ornamental design for a wireless earphone, as shown and described.

(52) **U.S. Cl.**

**DESCRIPTION**

USPC ..... **D14/205**

(58) **Field of Classification Search**

USPC ..... D14/205, 223; D24/106, 174; 381/380,

381/381; 128/864–866

CPC ..... H04R 1/10; H04R 25/00; H04R 1/1066;

H04R 1/1016; H04R 5/033; H04R

5/0335; H04R 1/1033; H04R 1/1041;

H04R 1/1091

See application file for complete search history.

FIG. 1 is a front and top perspective view of a wireless earphone, showing my new design;

FIG. 2 is a rear and bottom perspective view thereof;

FIG. 3 is a front elevation view thereof;

FIG. 4 is a rear elevation view thereof;

FIG. 5 is a left side elevation view thereof;

FIG. 6 is a right side elevation view thereof;

FIG. 7 is a top plan view thereof;

FIG. 8 is a bottom plan view thereof;

FIG. 9 is an enlarged view of a portion indicated with numeric 9 in FIG. 1;

FIG. 10 is an enlarged view of a portion indicated with numeric 10 in FIG. 2; and,

FIG. 11 is an exploded view thereof.

The broken lines in the figures illustrate portions of the wireless earphone that form no part of the claimed design.

The dash dot dash lines in FIGS. 1, 2, 9 and 10 are for the purpose of illustrating the enlarged views and form no part of the claimed design.

The appearance of any portion of the article between the disassembled or exploded portions of

FIG. 11 form no part of the claimed design.

(56) **References Cited**

**U.S. PATENT DOCUMENTS**

2,487,038 A \* 11/1949 Baum ..... H04R 1/1016  
181/135

3,301,253 A \* 1/1967 Glorig ..... A61F 11/08  
128/866

D241,881 S \* 10/1976 Peterson ..... D24/106

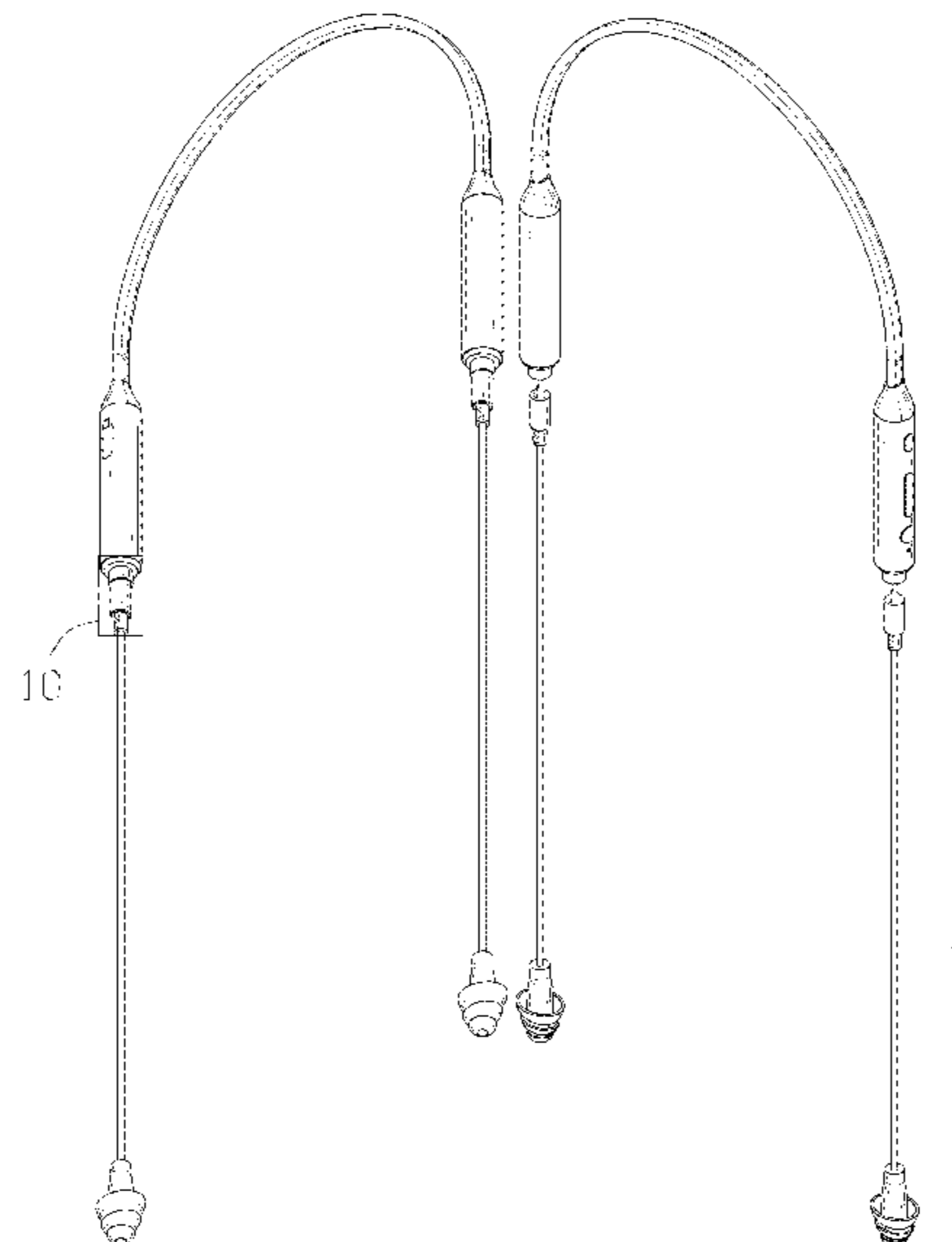
D245,202 S \* 7/1977 Asker ..... D24/106

4,219,018 A \* 8/1980 Draper, Jr. .... A61F 11/12  
128/864

4,314,553 A \* 2/1982 Westerdal ..... A61F 11/08  
181/135

4,867,149 A \* 9/1989 Falco ..... A61F 11/08  
128/864

**1 Claim, 11 Drawing Sheets**



(56)

References Cited

U.S. PATENT DOCUMENTS

D436,164 S \* 1/2001 Foslien ..... D24/106  
 D492,766 S \* 7/2004 Falco ..... A61F 11/08  
 7,107,993 B2 \* 9/2006 Magidson ..... A61F 11/08  
 D539,415 S \* 3/2007 Fleming ..... A61F 11/08  
 D567,230 S \* 4/2008 Seto ..... D14/223  
 D591,732 S \* 5/2009 Burton ..... D14/223  
 D624,902 S \* 10/2010 Kolton ..... D14/205  
 7,920,902 B2 \* 4/2011 Carroll ..... H04M 1/6066  
 D652,817 S \* 1/2012 Lee ..... D14/205  
 D682,809 S \* 5/2013 Fletcher ..... D14/205  
 D685,343 S \* 7/2013 Fletcher ..... D14/205  
 D685,750 S \* 7/2013 Nakagawa ..... D13/168  
 D685,761 S \* 7/2013 Fletcher ..... D14/205  
 D687,410 S \* 8/2013 Fletcher ..... D14/205  
 D693,326 S \* 11/2013 Takeno ..... D14/205  
 D712,371 S \* 9/2014 Henning ..... D14/205  
 D767,532 S \* 9/2016 Jen ..... D14/205  
 D774,490 S \* 12/2016 Lin ..... D14/205  
 D776,635 S \* 1/2017 Chang ..... D14/205  
 D777,139 S \* 1/2017 Fletcher ..... D14/205  
 D817,301 S \* 5/2018 Aoyagi ..... D14/205  
 D836,598 S \* 12/2018 Chen ..... D14/205  
 D845,272 S \* 4/2019 Birger ..... D14/205  
 D855,580 S \* 8/2019 Ma ..... D14/206  
 D856,307 S \* 8/2019 Maeda ..... D14/218  
 D873,791 S \* 1/2020 Aoyagi ..... D14/205  
 D875,070 S \* 2/2020 Carr ..... D14/205

D875,709 S \* 2/2020 Yuanfa ..... D14/205  
 D881,838 S \* 4/2020 Aoyagi ..... D14/205  
 D890,127 S \* 7/2020 Kim ..... D14/205  
 D890,128 S \* 7/2020 Kim ..... D14/205  
 D895,572 S \* 9/2020 Maeda ..... D14/223  
 D895,575 S \* 9/2020 Aoyagi ..... D14/205  
 D896,202 S \* 9/2020 Mo ..... D14/205  
 D909,990 S \* 2/2021 Birger ..... D14/206  
 D920,951 S \* 6/2021 Dryden ..... D14/205  
 D923,601 S \* 6/2021 Kim ..... D14/205  
 D924,841 S \* 7/2021 Yuan ..... D14/205  
 D938,387 S 12/2021 Park et al.  
 D939,687 S \* 12/2021 Ye ..... D24/106  
 D945,406 S \* 3/2022 Li ..... D14/223  
 2005/0094835 A1 \* 5/2005 Doty ..... A61F 11/08  
 2009/0034775 A1 \* 2/2009 Burton ..... H04R 1/1016  
 2010/0319714 A1 \* 12/2010 Oshima ..... A61F 11/12  
 2011/0007929 A1 \* 1/2011 Rabu ..... H04R 1/1033  
 2016/0316290 A1 \* 10/2016 Shen ..... H04R 1/1025  
 2017/0319392 A1 \* 11/2017 Knudsen ..... H04R 1/1083  
 2018/0199128 A1 \* 7/2018 Chiu ..... H04R 1/1033  
 2020/0221206 A1 \* 7/2020 Iseberg ..... H04R 1/1016  
 2022/0095038 A1 \* 3/2022 Xie ..... H04R 1/1033

FOREIGN PATENT DOCUMENTS

EM 006665139-0003 \* 8/2019  
 GB 9006261756-0001 \* 2/2019  
 IN 327883-001-0001 \* 3/2020

\* cited by examiner

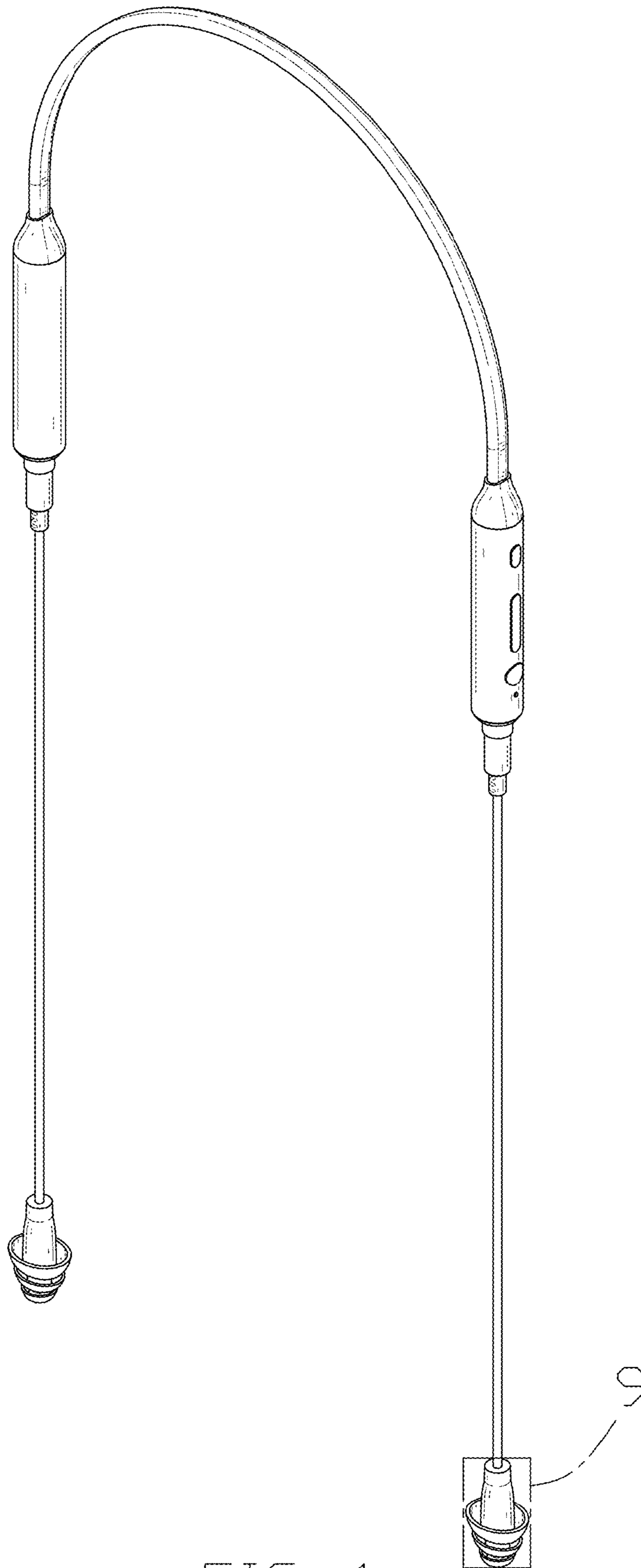


FIG. 1

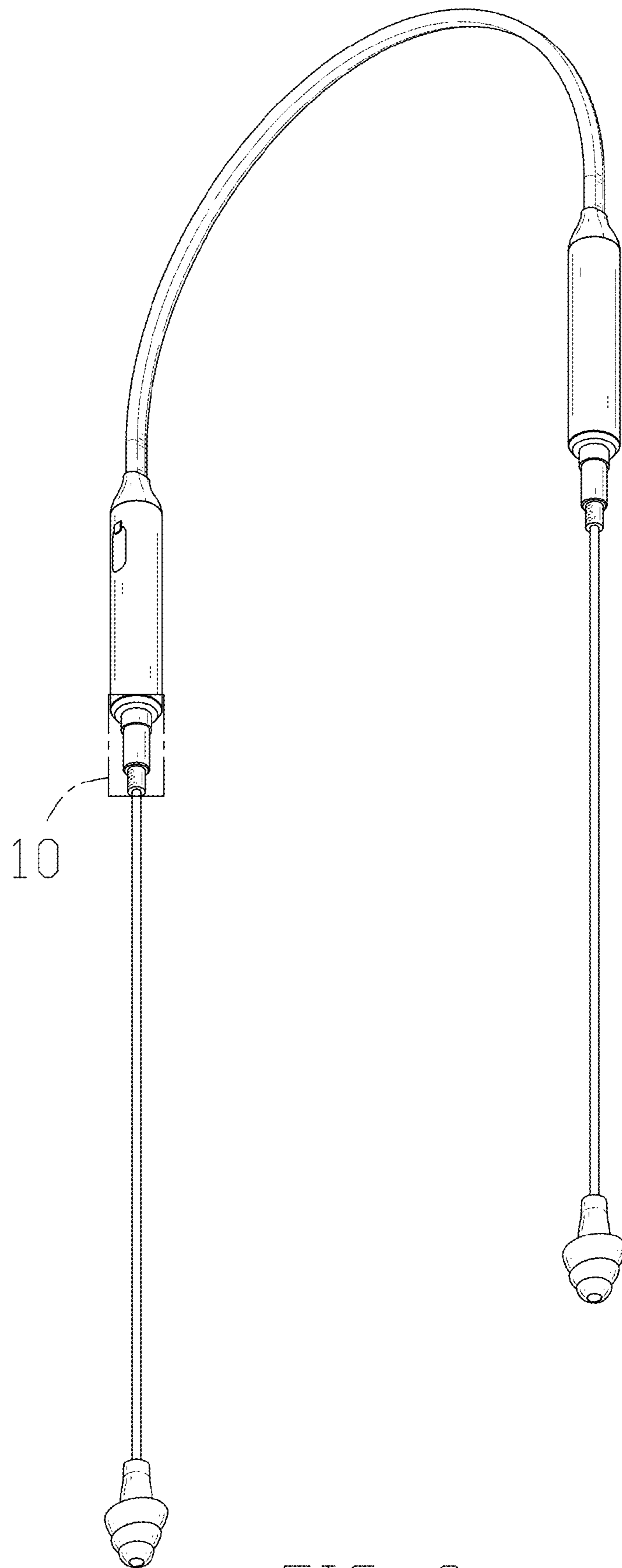


FIG. 2

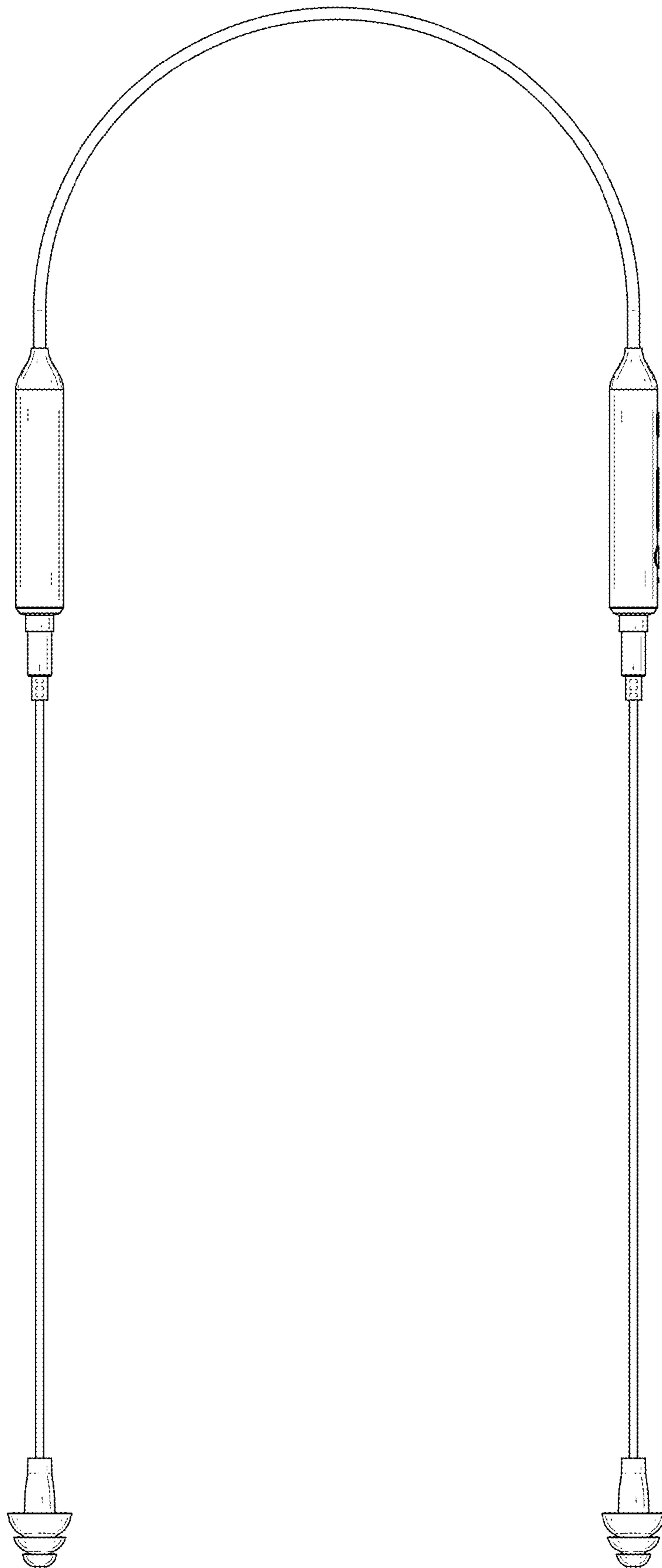


FIG. 3

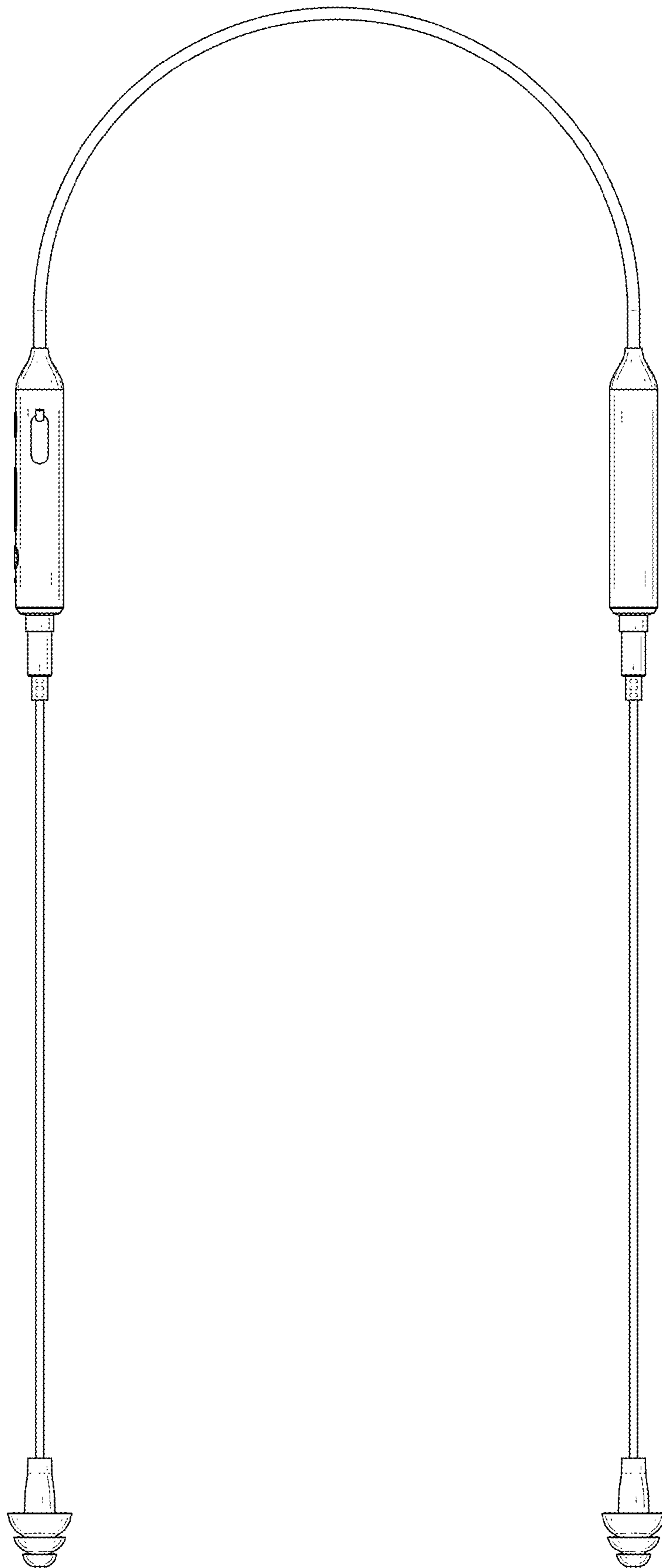


FIG. 4

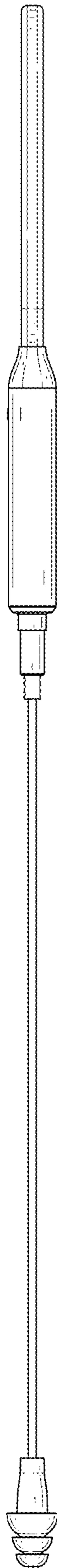


FIG. 5

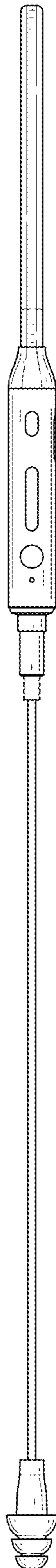


FIG. 6



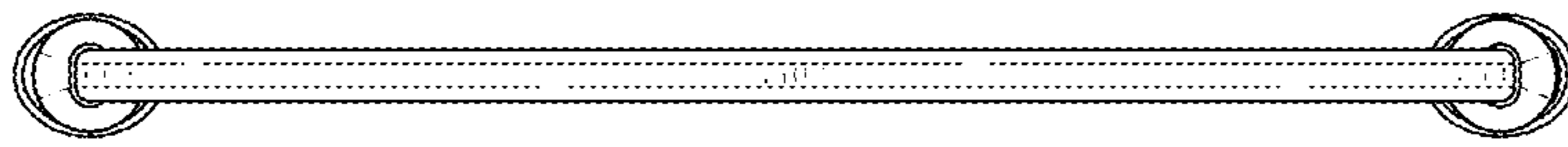


FIG. 7

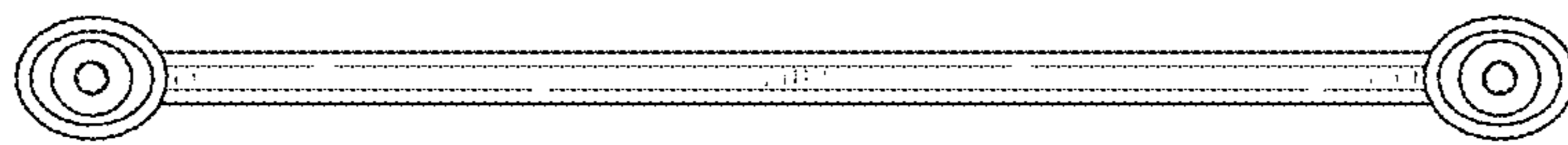


FIG. 8

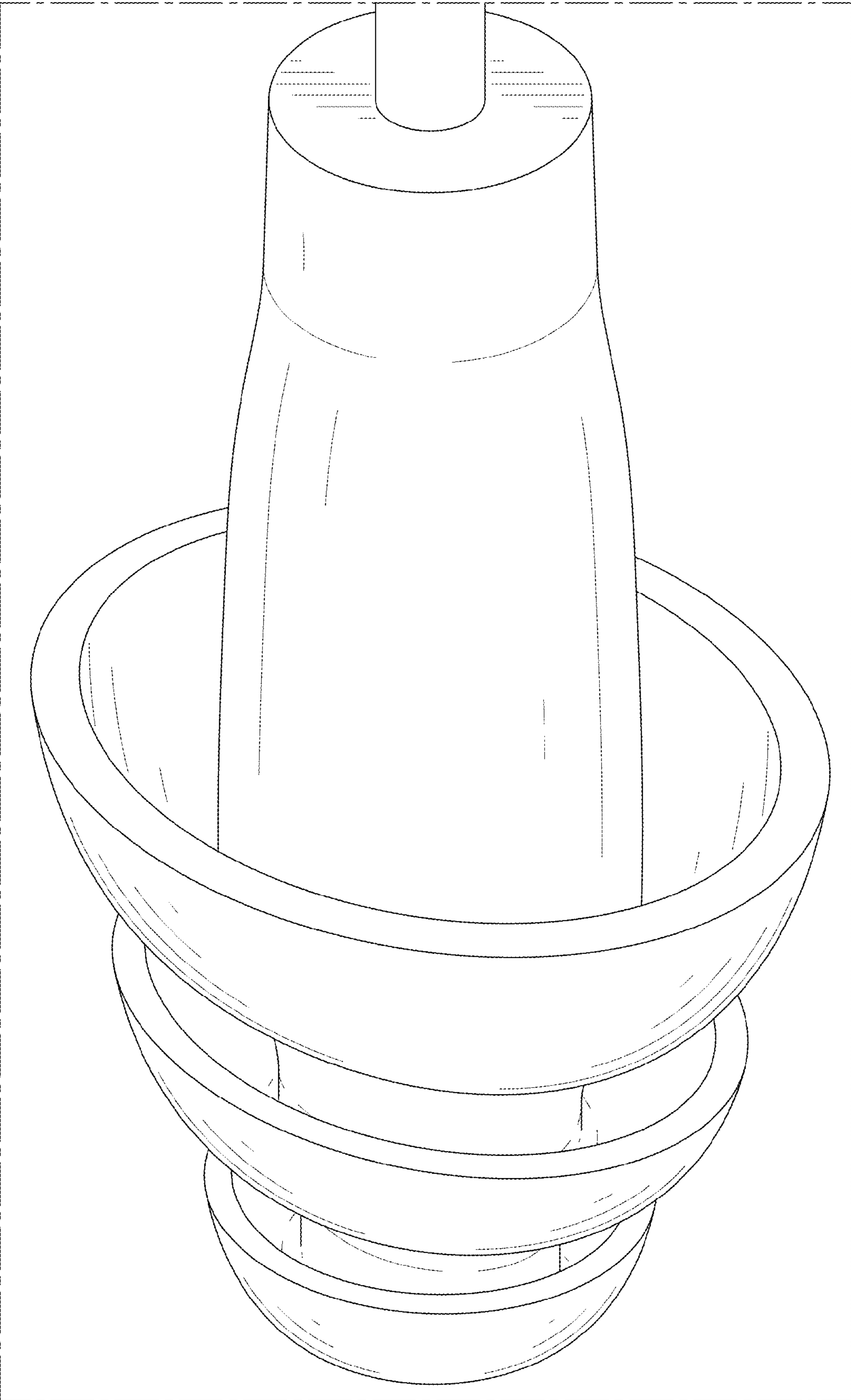


FIG. 9

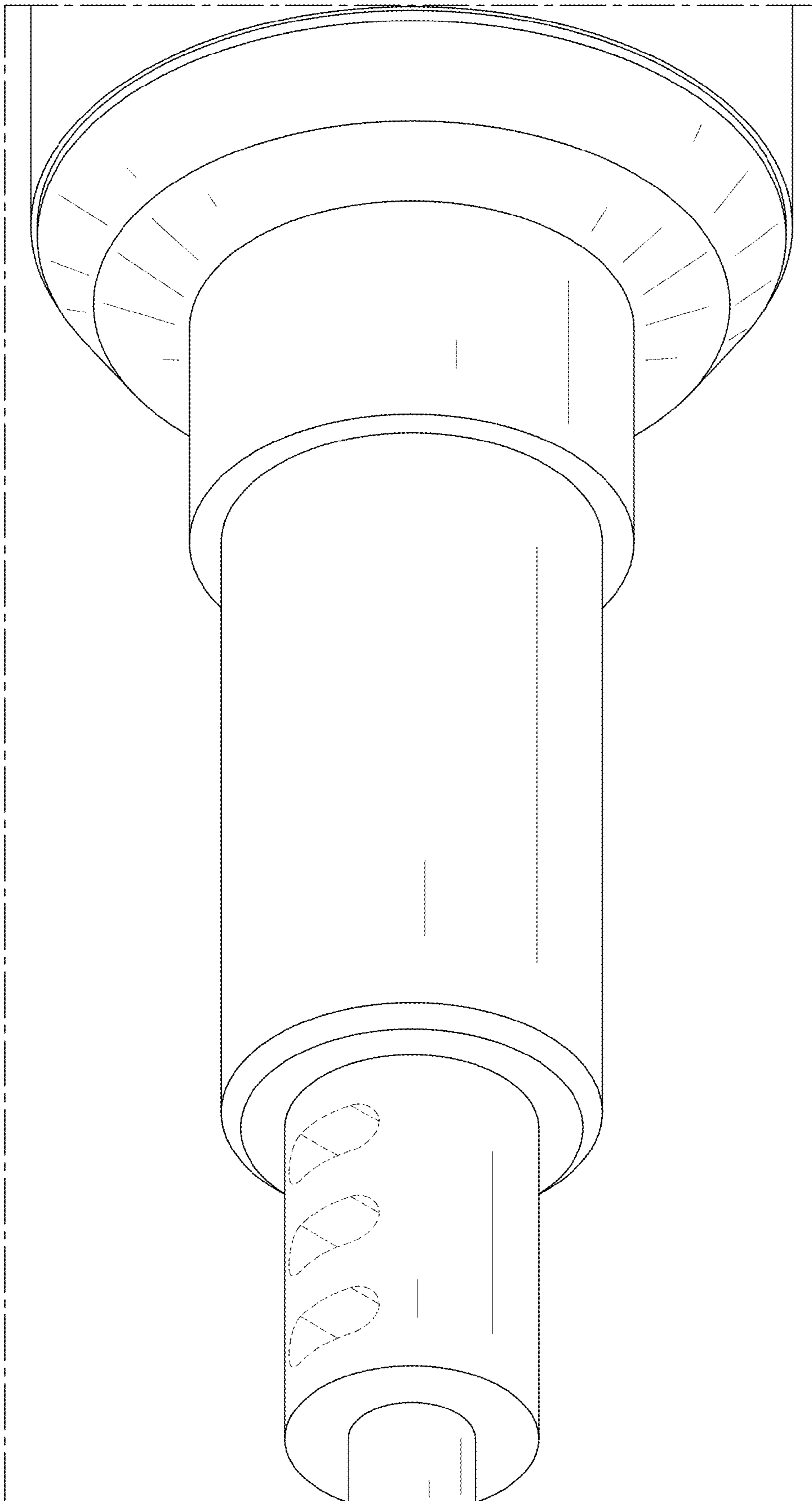


FIG. 10

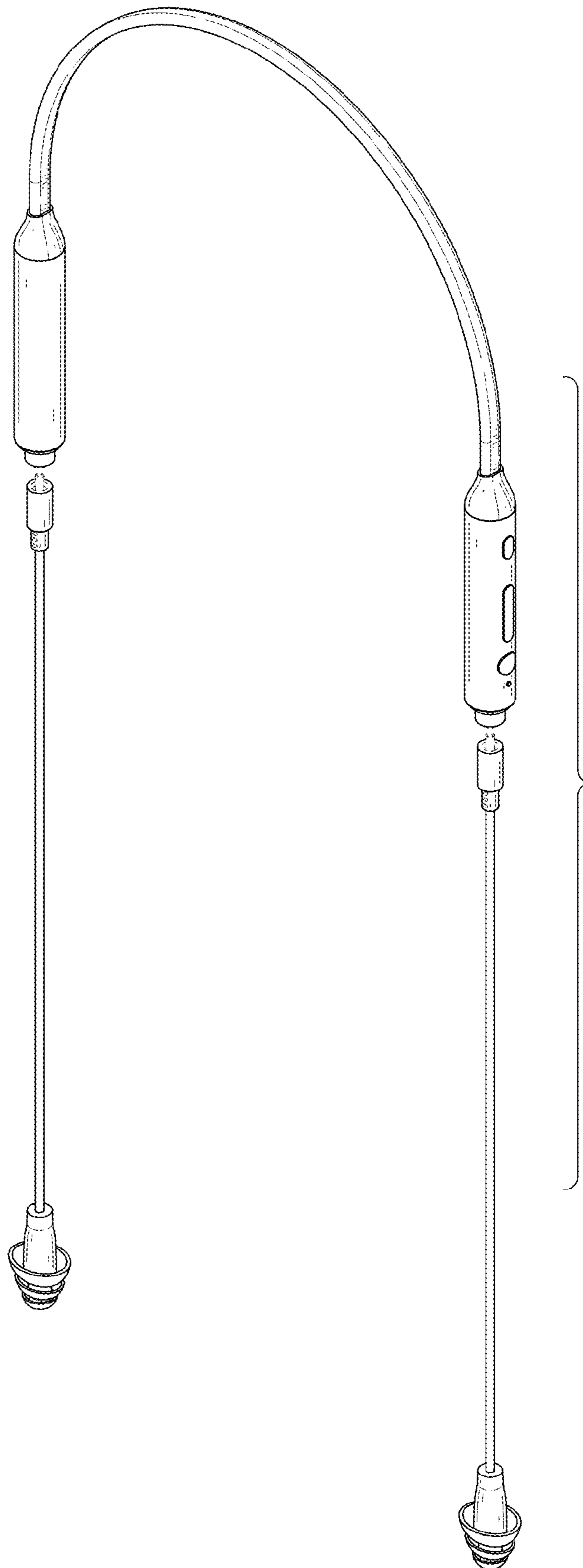


FIG. 11