



US00D966228S

(12) **United States Design Patent**
Cho

(10) **Patent No.:** **US D966,228 S**
(45) **Date of Patent:** **** Oct. 11, 2022**

(54) **HEADPHONES**

(71) Applicant: **Shure Acquisition Holdings, Inc.**,
Niles, IL (US)

(72) Inventor: **Elizabeth Cho**, Wilmette, IL (US)

(73) Assignee: **Shure Acquisition Holdings, Inc.**,
Niles, IL (US)

(**) Term: **15 Years**

(21) Appl. No.: **29/762,879**

(22) Filed: **Dec. 18, 2020**

(51) **LOC (13) Cl.** **14-01**

(52) **U.S. Cl.**
USPC **D14/205**

(58) **Field of Classification Search**
USPC D14/205, 188, 192; D29/112; 2/209;
381/380, 381, 374, 375
CPC H04R 25/00; H04R 25/02; H04R 1/1066;
H04R 1/1016; H04R 5/033; H04R
5/0335; H04R 1/10; H04R 1/1058; H04R
1/1083; H04R 1/1091
See application file for complete search history.

(56) **References Cited**

U.S. PATENT DOCUMENTS

5,018,599 A * 5/1991 Dohi H04R 1/1008
181/129
6,654,966 B2 * 12/2003 Rolla H04R 5/0335
D14/206

(Continued)

FOREIGN PATENT DOCUMENTS

CN 303902998 11/2016
CN 306460431 * 4/2021

(Continued)

OTHER PUBLICATIONS

Mar. 10, 2022—(TW) Notice of Allowance—App 110303184.

(Continued)

Primary Examiner — Paula Allen Greene

(74) *Attorney, Agent, or Firm* — Banner & Witcoff, Ltd.

(57) **CLAIM**

The ornamental design for headphones, as shown and described.

DESCRIPTION

FIG. 1 is a front perspective view of headphones showing my new design;

FIG. 2 is a rear perspective view thereof;

FIG. 3 is a front view thereof;

FIG. 4 is a rear view thereof;

FIG. 5 is a right side view thereof;

FIG. 6 is a left side view thereof;

FIG. 7 is a top view thereof;

FIG. 8 is a bottom view thereof;

FIG. 9 is a front view of an alternative position of headphones thereof;

FIG. 10 is a front view of another alternative position of headphones thereof;

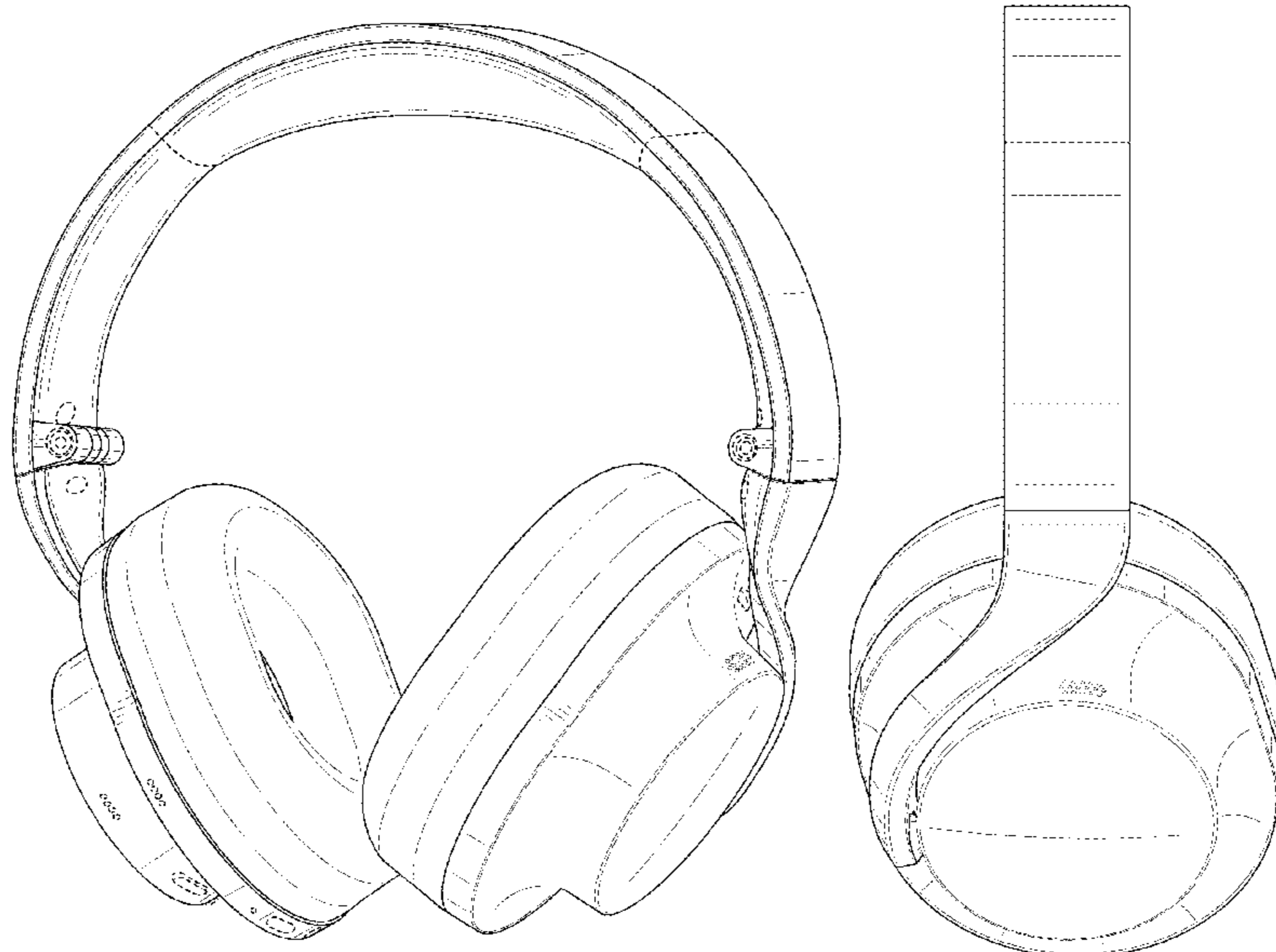
FIG. 11 is a front view of another alternative position of headphones thereof;

FIG. 12 is an enlarged view of the portion labeled 12 in FIG. 5; and,

FIG. 13 is an enlarged view of the portion labeled 13 in FIG. 9.

The uneven-length broken lines defining portions of the headphones in FIG. 5 and illustrated in the enlarged view of FIG. 12, and the uneven-length broken lines defining portions of the headphones in FIG. 9 and illustrated in the enlarged view of FIG. 13, form no part of the claimed design. The even-length broken lines depicting the remainder of the headphones form no part of the claimed design.

1 Claim, 13 Drawing Sheets



(56)

References Cited

U.S. PATENT DOCUMENTS

6,993,143 B2 * 1/2006 Harris H04R 1/1066
 381/374
 D581,394 S * 11/2008 Lee D14/205
 D691,109 S * 10/2013 Hardi D14/205
 D706,242 S * 6/2014 Yang H04R 1/1066
 D14/205
 D707,653 S * 6/2014 Hardi H04R 1/10
 D14/205
 D712,375 S * 9/2014 Miyake D14/205
 8,879,768 B2 * 11/2014 Podoloff H04R 1/1041
 381/372
 D722,998 S * 2/2015 Sancho D14/205
 D727,286 S * 4/2015 Galler D14/205
 D727,289 S * 4/2015 Czaniecki D14/205
 D759,626 S * 6/2016 Wagner D14/205
 D763,223 S * 8/2016 Czaniecki D14/205
 D773,434 S * 12/2016 Wu D14/205
 D777,701 S * 1/2017 Czaniecki D14/205
 D806,674 S 1/2018 Zhang
 D826,209 S * 8/2018 Homewood D14/205
 D852,164 S * 6/2019 Mei D14/205
 D852,775 S * 7/2019 Ando D14/205
 D861,636 S * 10/2019 Carr D14/205
 D869,430 S * 12/2019 Rama D14/206
 D884,671 S * 5/2020 Cho D14/205
 D888,010 S * 6/2020 Lindenberger D14/223

D897,309 S * 9/2020 Cho D14/205
 D936,035 S * 11/2021 Tang D14/205
 D944,760 S * 3/2022 Distefano D14/205
 D949,822 S * 4/2022 Yoshimura D14/205
 D952,599 S * 5/2022 Bellham D14/206
 2016/0080853 A1 * 3/2016 Chen H04R 1/1083
 381/74
 2018/0084326 A1 * 3/2018 Rothschild H04R 5/0335

FOREIGN PATENT DOCUMENTS

EM 005249539-0001 * 4/2018
 EM 008634927-0001 * 7/2021
 JP D1596541 2/2018
 JP D1648078 12/2019
 JP D1702614 * 11/2021
 KR 301126680.0000 * 9/2021
 KR 301139927.0000 * 11/2021
 TW D181119 2/2017
 TW 201225-0001 * 12/2019

OTHER PUBLICATIONS

“Wyze Noise-Cancelling Headphones”; Wyze; retrieved Oct. 5, 2020; disclosure date unknown but prior to the filing date of the present application for purposes of examination; URL: <<https://wyze.com/wyze-headphones.html>>. (8 Pages).

* cited by examiner



FIG. 1



FIG. 2



FIG. 3



FIG. 4

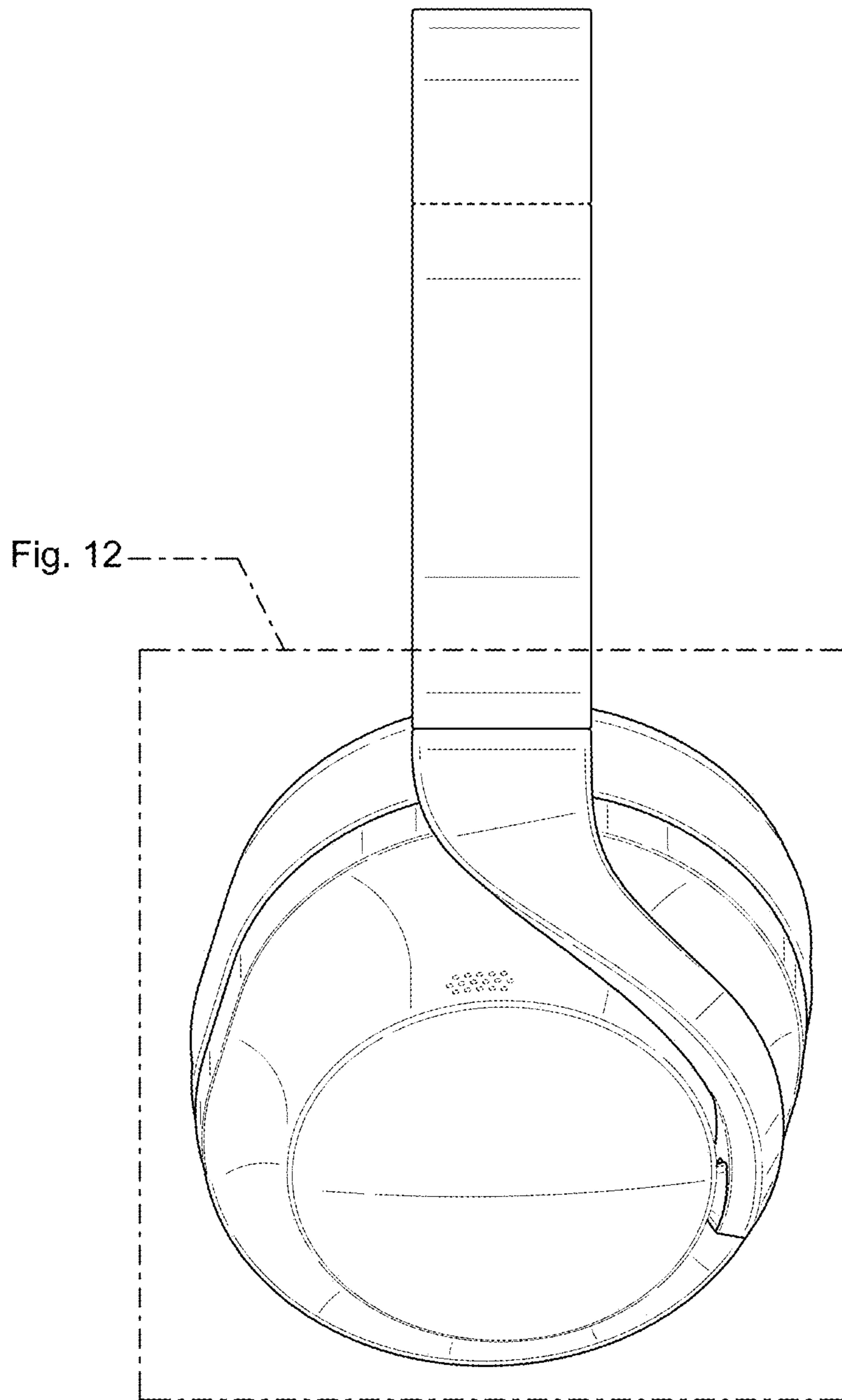


FIG. 5

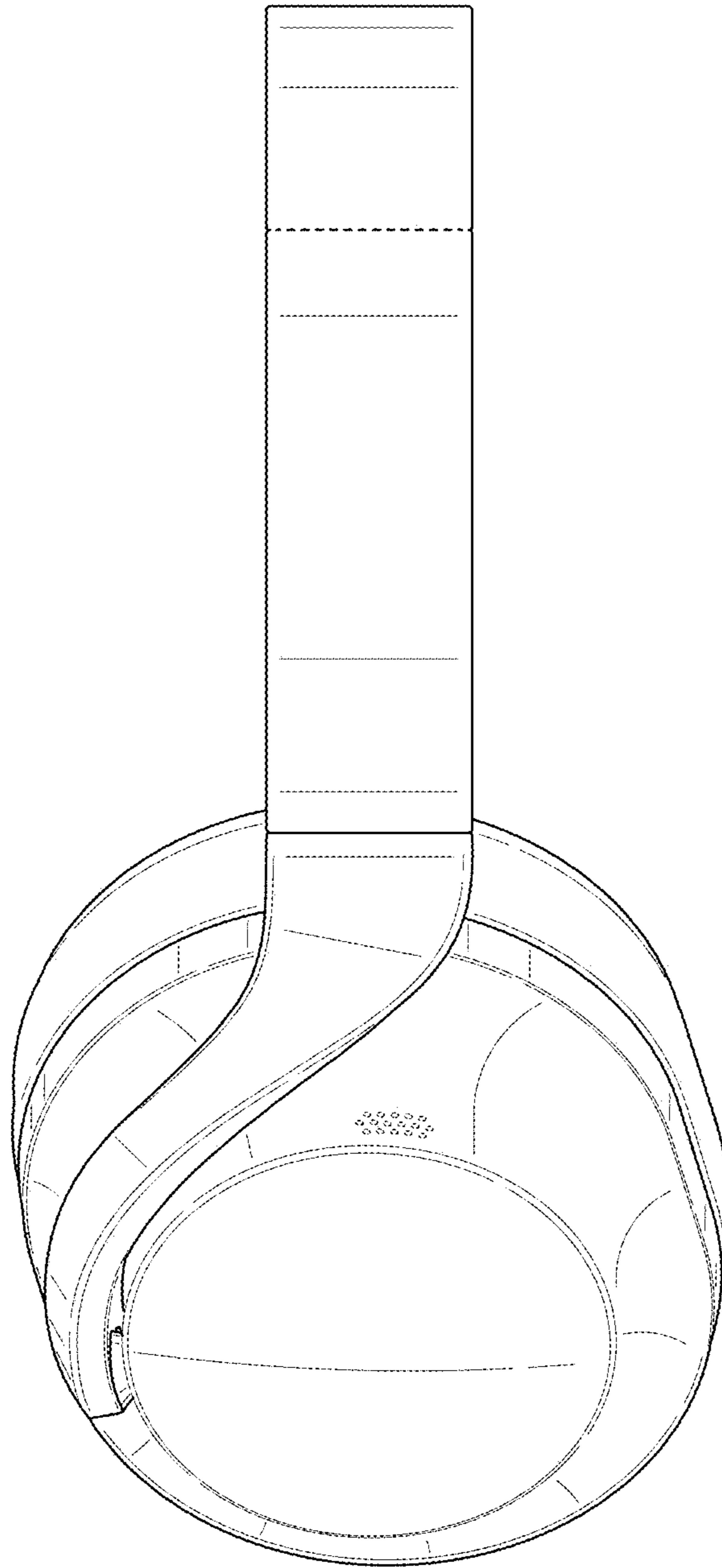


FIG. 6

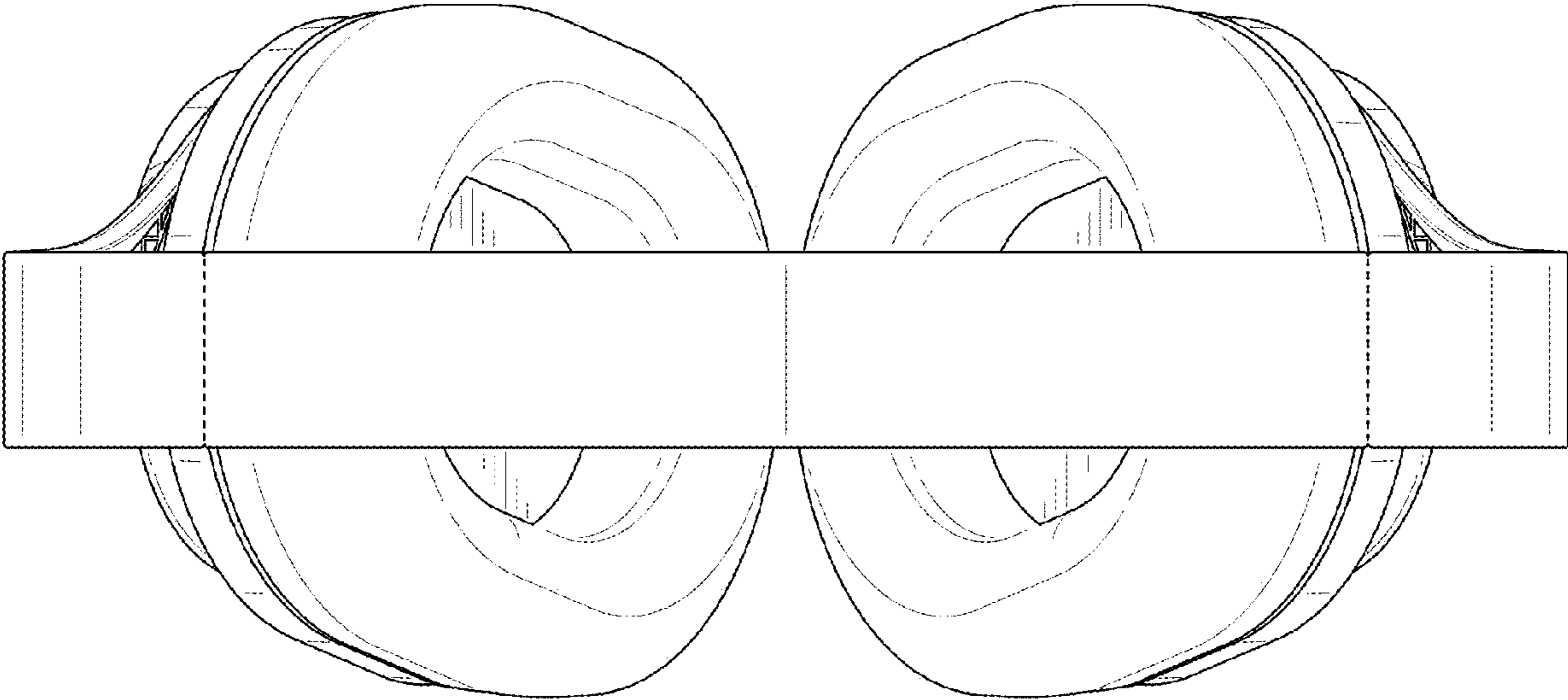


FIG. 7

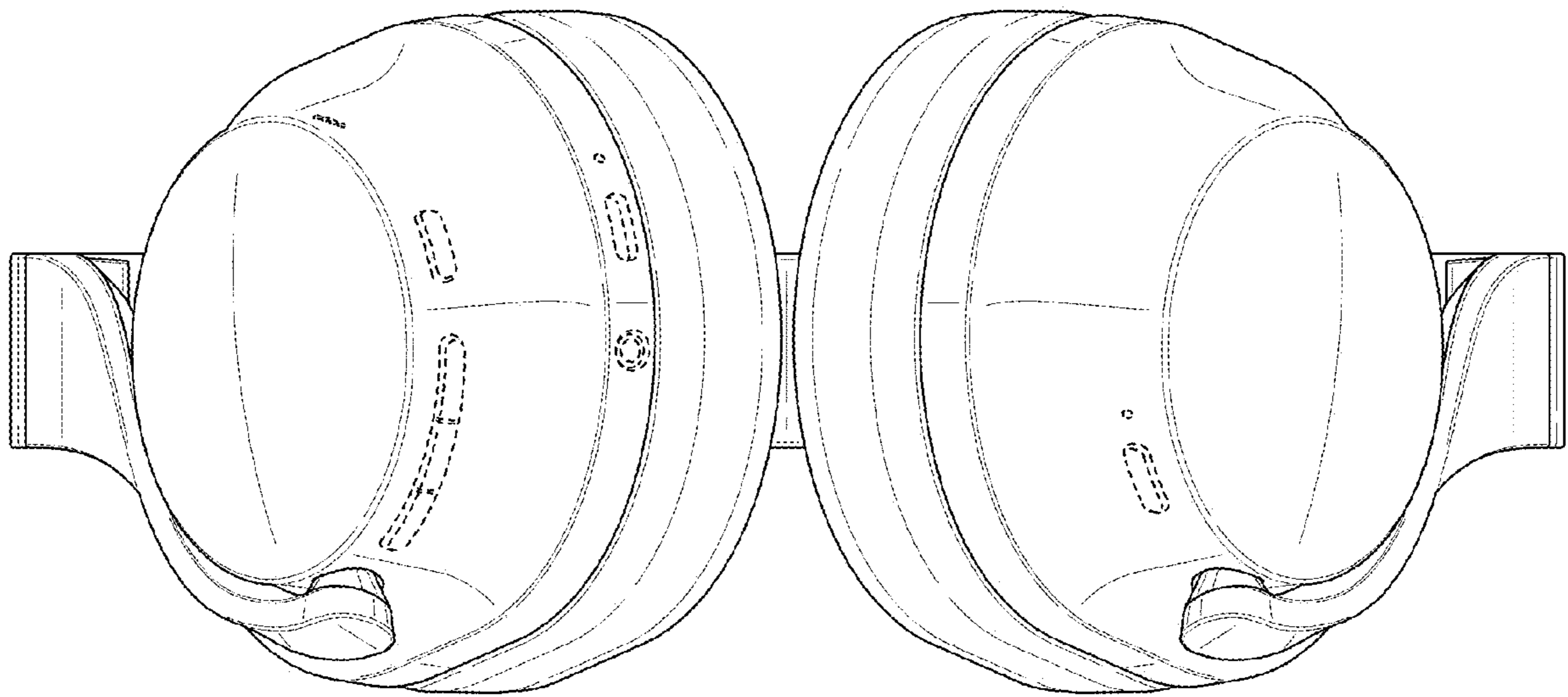


FIG. 8

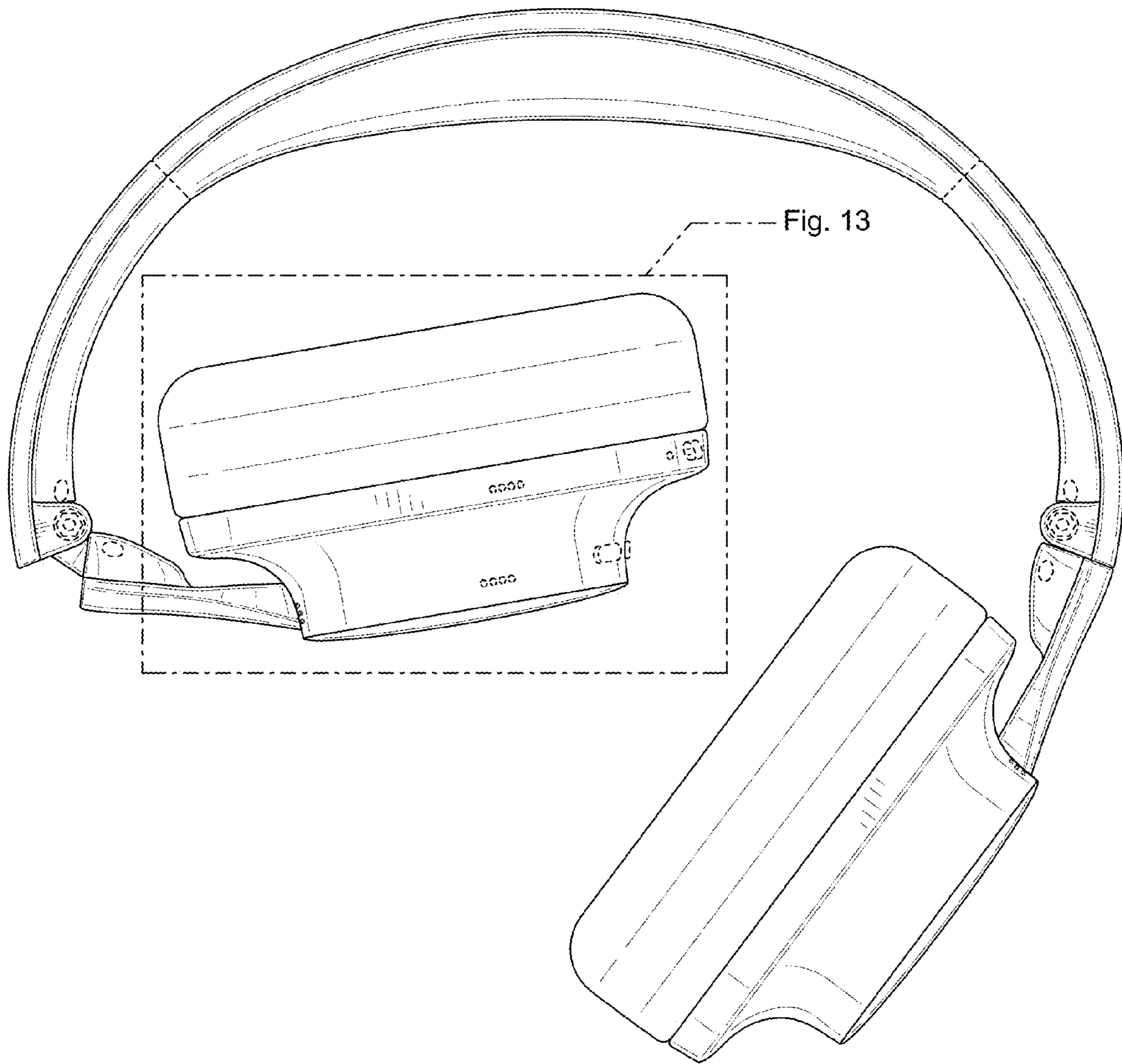


FIG. 9

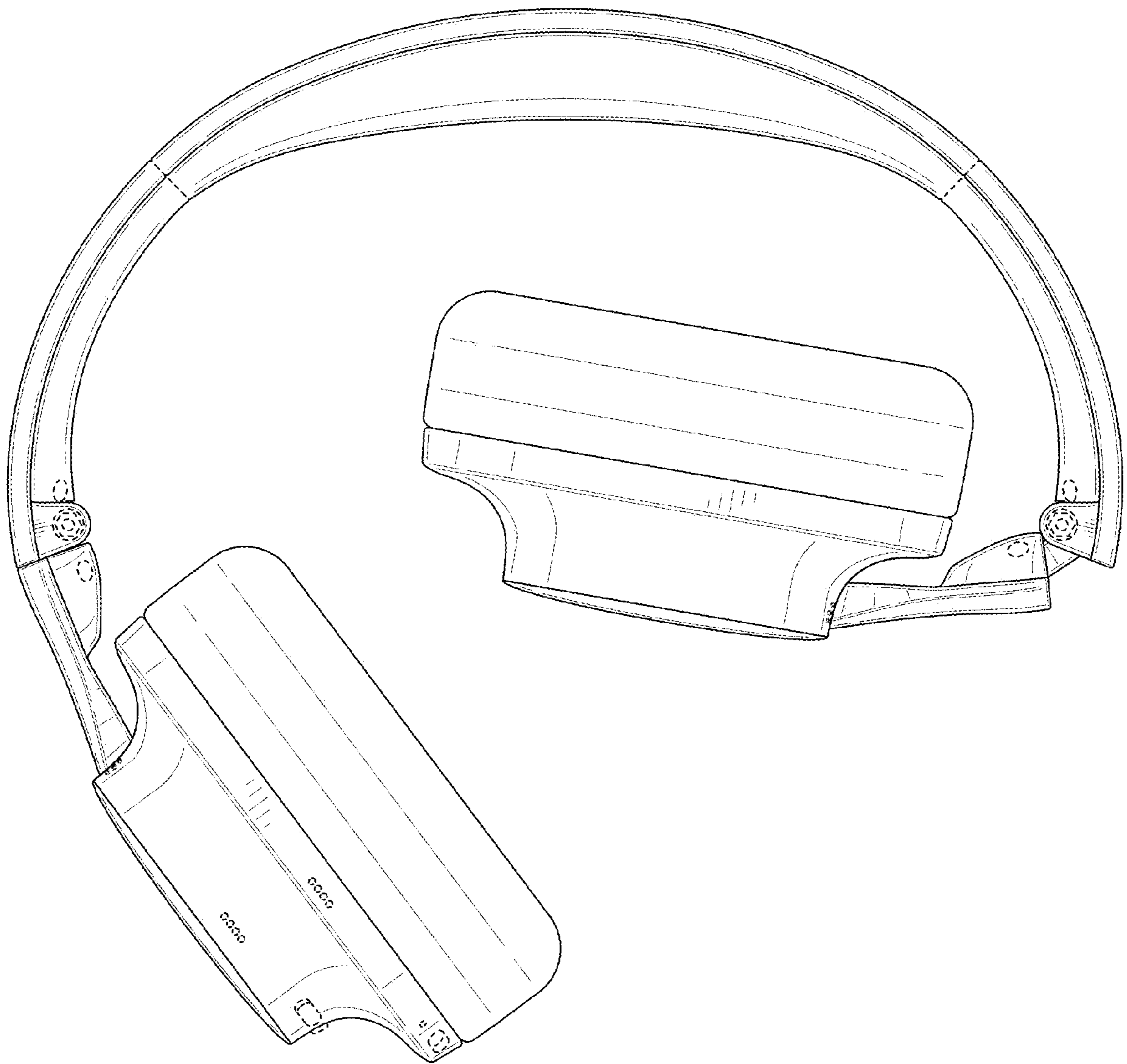


FIG. 10

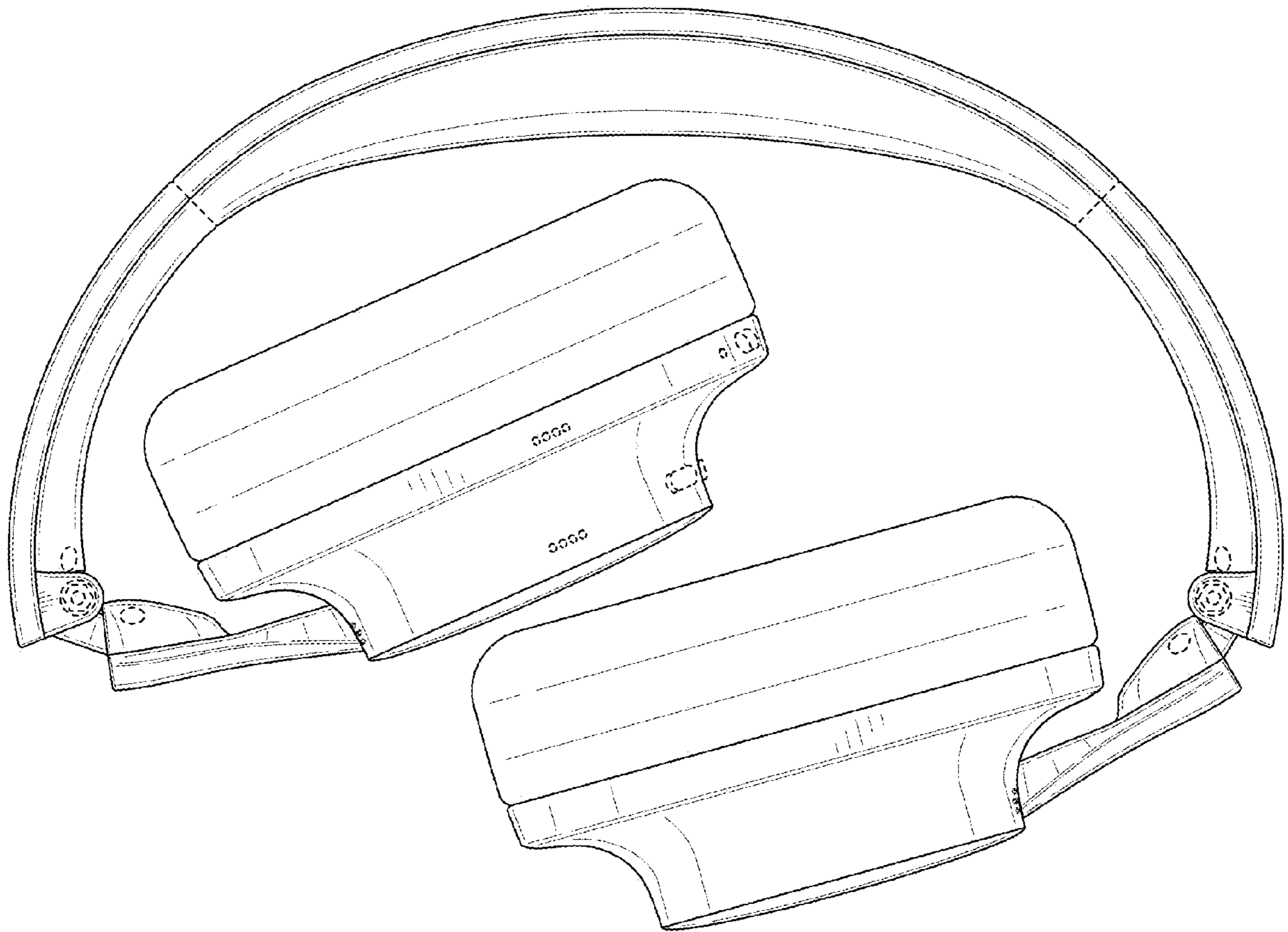


FIG. 11

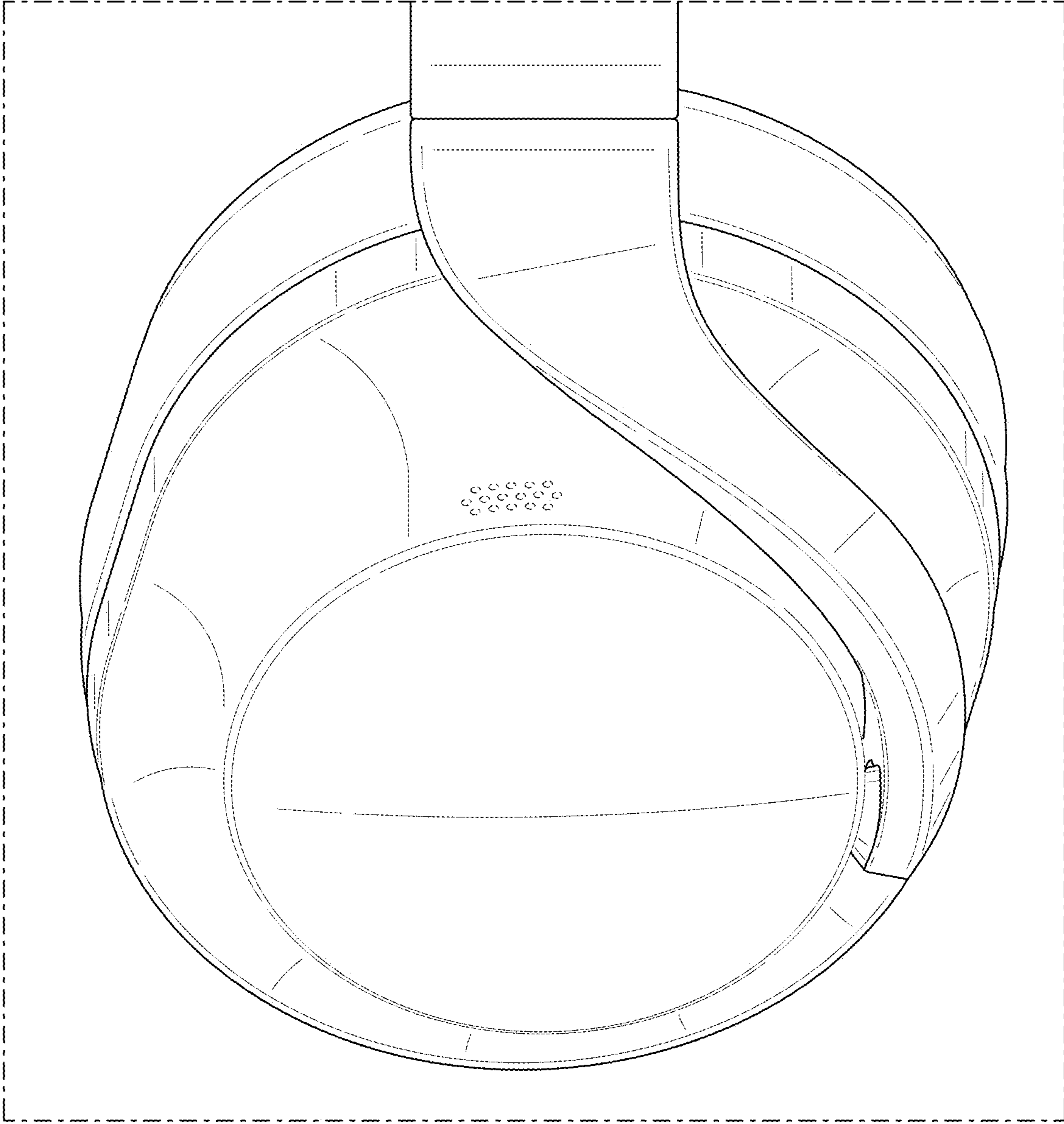


FIG. 12

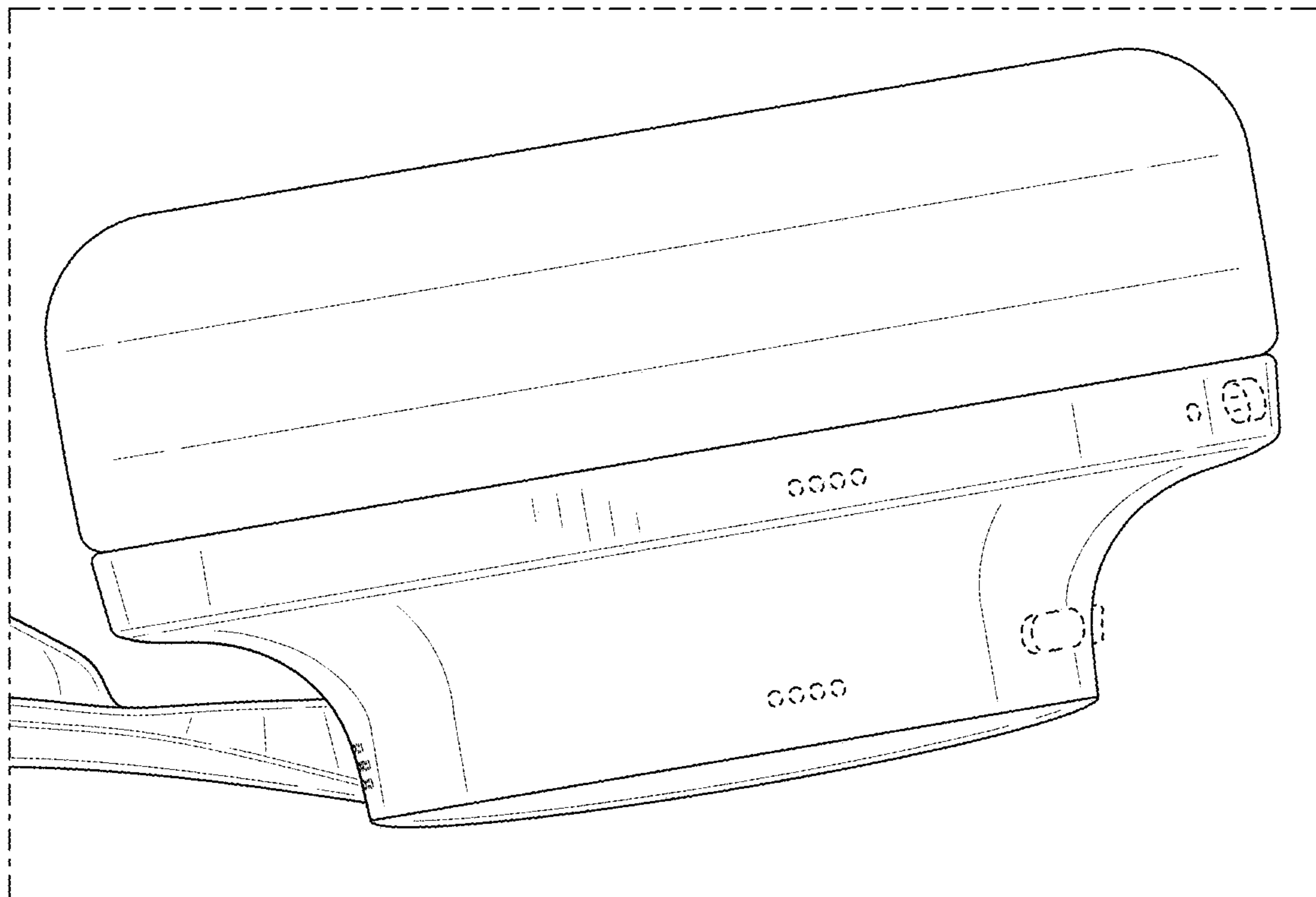


FIG. 13