

US00D966227S

(12) **United States Design Patent**
Hwang

(10) **Patent No.:** **US D966,227 S**
(45) **Date of Patent:** **** Oct. 11, 2022**

(54) **DIGITAL AUDIO PLAYER**
(71) Applicant: **Dreamus Company**, Seoul (KR)
(72) Inventor: **Dong O Hwang**, Seoul (KR)
(**) Term: **15 Years**

D792,371 S * 7/2017 Kim D14/203.7
D805,053 S * 12/2017 Chen D14/203.3
D805,497 S * 12/2017 Huang D14/203.3
D806,050 S * 12/2017 Dong D14/203.3
D808,357 S * 1/2018 Kim D14/203.7
D809,473 S * 2/2018 Kim D14/203.7

(Continued)

(21) Appl. No.: **35/512,267**

(22) Filed: **Jan. 28, 2021**

(80) **Hague Agreement Data**

Int. Filing Date: **Jan. 28, 2021**
Int. Reg. No.: **DM/214495**
Int. Reg. Date: **Jan. 28, 2021**
Int. Reg. Pub. Date: **Jul. 30, 2021**

(51) **LOC (13) Cl.** **14-01**

(52) **U.S. Cl.**
USPC **D14/203.7**

(58) **Field of Classification Search**

USPC D14/138 R, 138 AA, 138 AB, 138 AC,
D14/138 AD, 138 C, 138 G, 203.1, 203.3,
D14/203.4, 203.7, 248, 341, 345, 496;
D21/330, 339
CPC G06F 1/1616; G06F 1/1637; G06F 1/203;
G06F 1/1681

See application file for complete search history.

(56) **References Cited**

U.S. PATENT DOCUMENTS

D488,456 S * 4/2004 Isshiki D14/203.7
D539,306 S * 3/2007 Naruki D14/203.7
D659,114 S * 5/2012 Rayn D14/203.3
D699,701 S * 2/2014 Kim D14/203.7
D712,870 S * 9/2014 Kim D14/203.7
D717,763 S * 11/2014 Han D14/203.7
D746,868 S * 1/2016 Akana D14/511
D747,288 S * 1/2016 Han D14/203.3
D765,734 S * 9/2016 Xiong D14/203.7
D772,839 S * 11/2016 Kim D14/203.7
D787,468 S * 5/2017 Lee D14/203.3

OTHER PUBLICATIONS

Astell&Kern KANN ALPHA hi-res audio player, publication date Sep. 1, 2020, [online] URL: aknewsroom.armourhome.co.uk/2020/09/01/astell-kern-kann-alpha-hi-res-audio-player-offers-high-power-output-in-a-compact-portable-friendly-design/ (Year: 2020).*

(Continued)

Primary Examiner — L. A. Grabenstetter

(57) **CLAIM**

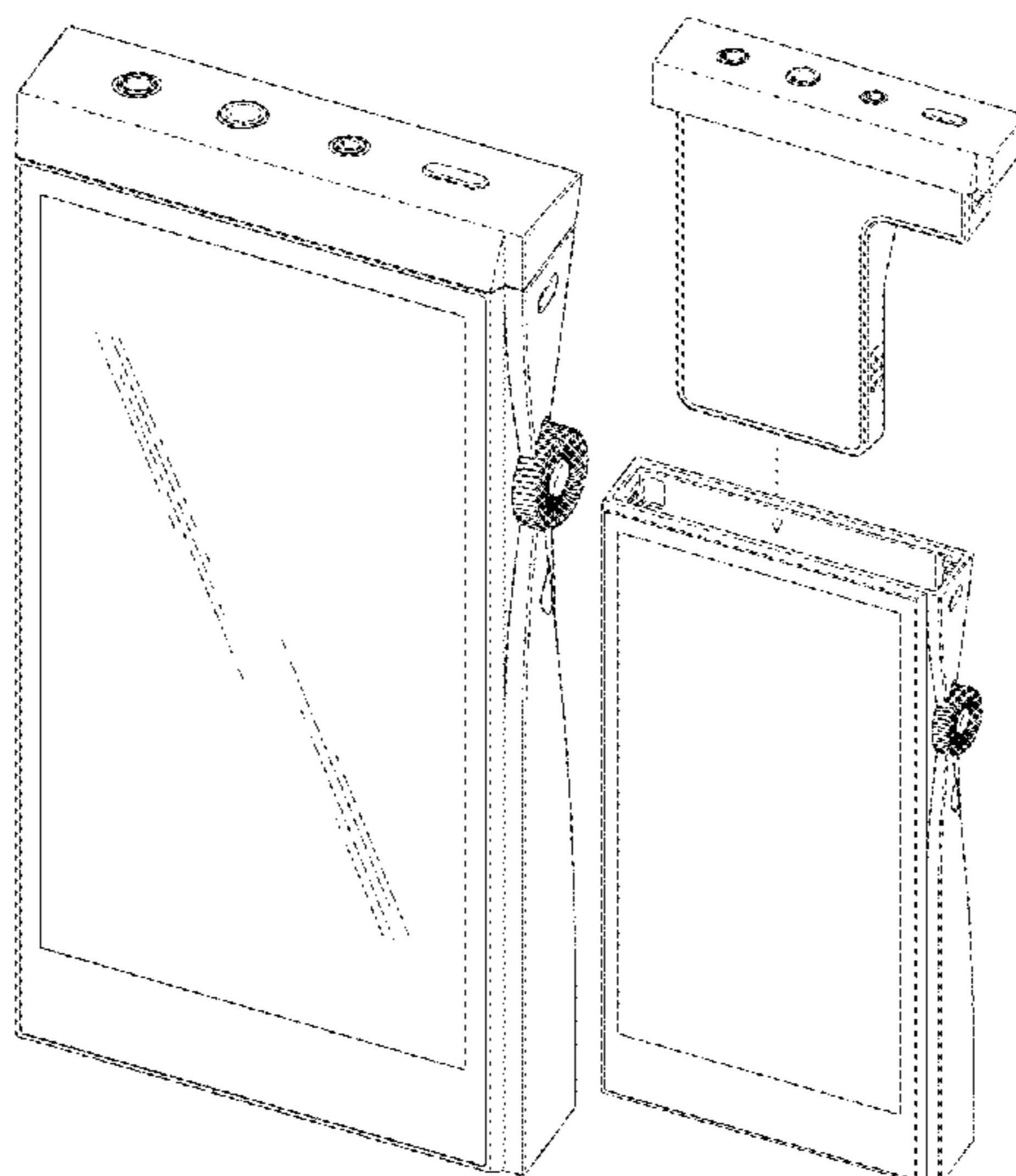
The ornamental design for a digital audio player, as shown and described.

DESCRIPTION

- 1. Digital audio player
- 1.1 : Front Perspective
- 1.2 : Back Perspective
- 1.3 : Front
- 1.4 : Back
- 1.5 : Left
- 1.6 : Right
- 1.7 : Top
- 1.8 : Bottom
- 1.9 : Exploded Front Perspective
- 1.10 : Exploded Back Perspective
- 1.11 : Partial Enlarged Front Perspective

The broken line arrow in reproduction 1.9 is included for the purpose of describing the relationship between portions of the digital audio player and forms no part of the claimed design. The dot-dash broken line circle in reproduction 1.11 is included for the purpose of illustrating the partial enlarged view and forms no part of the claimed design.

1 Claim, 11 Drawing Sheets



(56)

References Cited

U.S. PATENT DOCUMENTS

D828,324 S * 9/2018 Jeong D14/203.7
D839,233 S * 1/2019 Bian D14/203.7
D839,234 S * 1/2019 Bian D14/203.7
D883,948 S * 5/2020 Kim D14/203.7
D884,667 S * 5/2020 Kim D14/203.7
D892,761 S * 8/2020 Choi D14/203.7
D901,432 S * 11/2020 Kim D14/203.7
D901,433 S * 11/2020 Jeong D14/203.7
D901,434 S * 11/2020 Choi D14/203.7

OTHER PUBLICATIONS

Fiiio M11 High-Resolution Audio Player review, publication date Aug. 13, 2019, [online] URL: <https://www.techradar.com/reviews/fiiio-m11-high-resolution-audio-player> (Year: 2019).*

Cowon U7-16G Gold MP3 Player, publication date Oct. 10, 2018, [online] URL: <https://www.amazon.co.uk/Cowon-U7-16G-Gold-Player-Screen-Inches/dp/B07HYBJVC1> (Year: 2018).*

Cowon Plenue P2 Hi-Fi MP3 Player, publication date Apr. 25, 2017, [online] URL: <https://www.amazon.com/Cowon-P2-128IS-Plenue-Player-Imperial/dp/B071RM41RF> (Year: 2017).*

IBasso DX160 Review, publication date Jul. 28, 2020, [online] URL: <https://www.headfonia.com/ibasso-dx160-review/> (Year: 2020).*

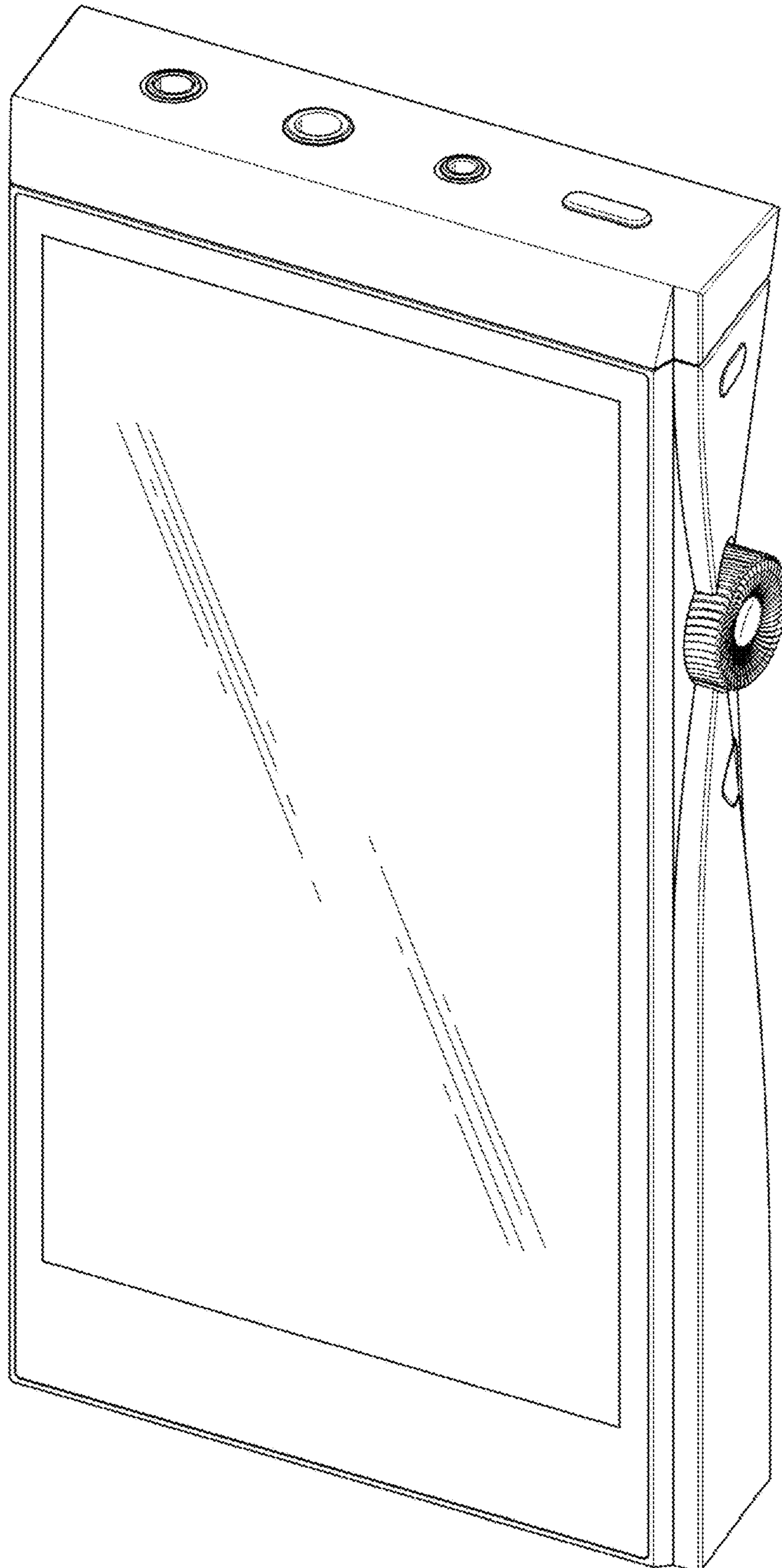
Surfans F20 HiFi MP3 Player, publication date Jul. 31, 2019, [online] URL: <https://www.amazon.com/dp/B07VWK4FP3/> (Year: 2019).*

Onkyo DP-X1 Digital Audio Player, publication date Jan. 29, 2016, [online] URL: <https://www.amazon.com/Onkyo-DP-X1-Digital-Audio-Player/dp/B01AWLQ1AY> (Year: 2016).*

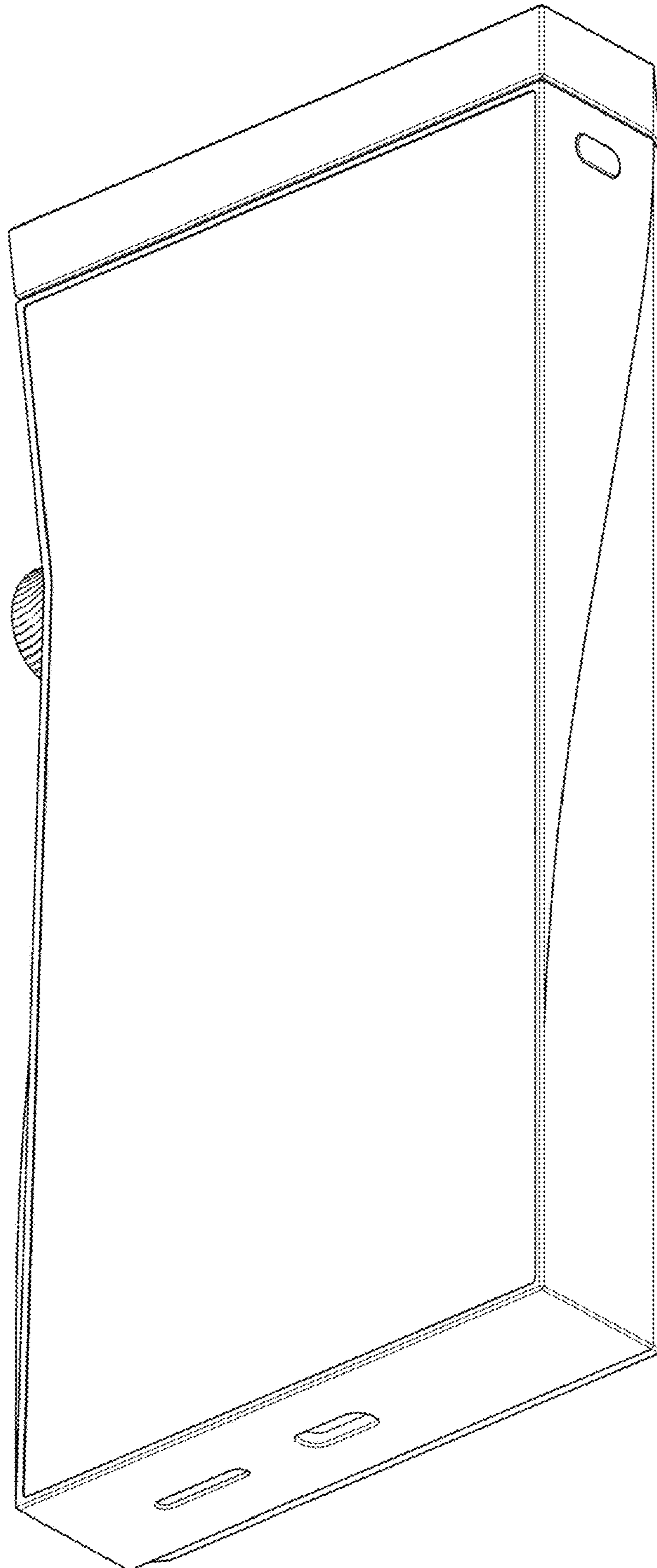
HIDIZS AP80 Pro MP3 Player, publication date Apr. 20, 2020, [online] URL: <https://www.amazon.com/HIDIZS-Bluetooth-Resolution-Lossless-Digital/dp/B087BJB8GZ> (Year: 2020).*

* cited by examiner

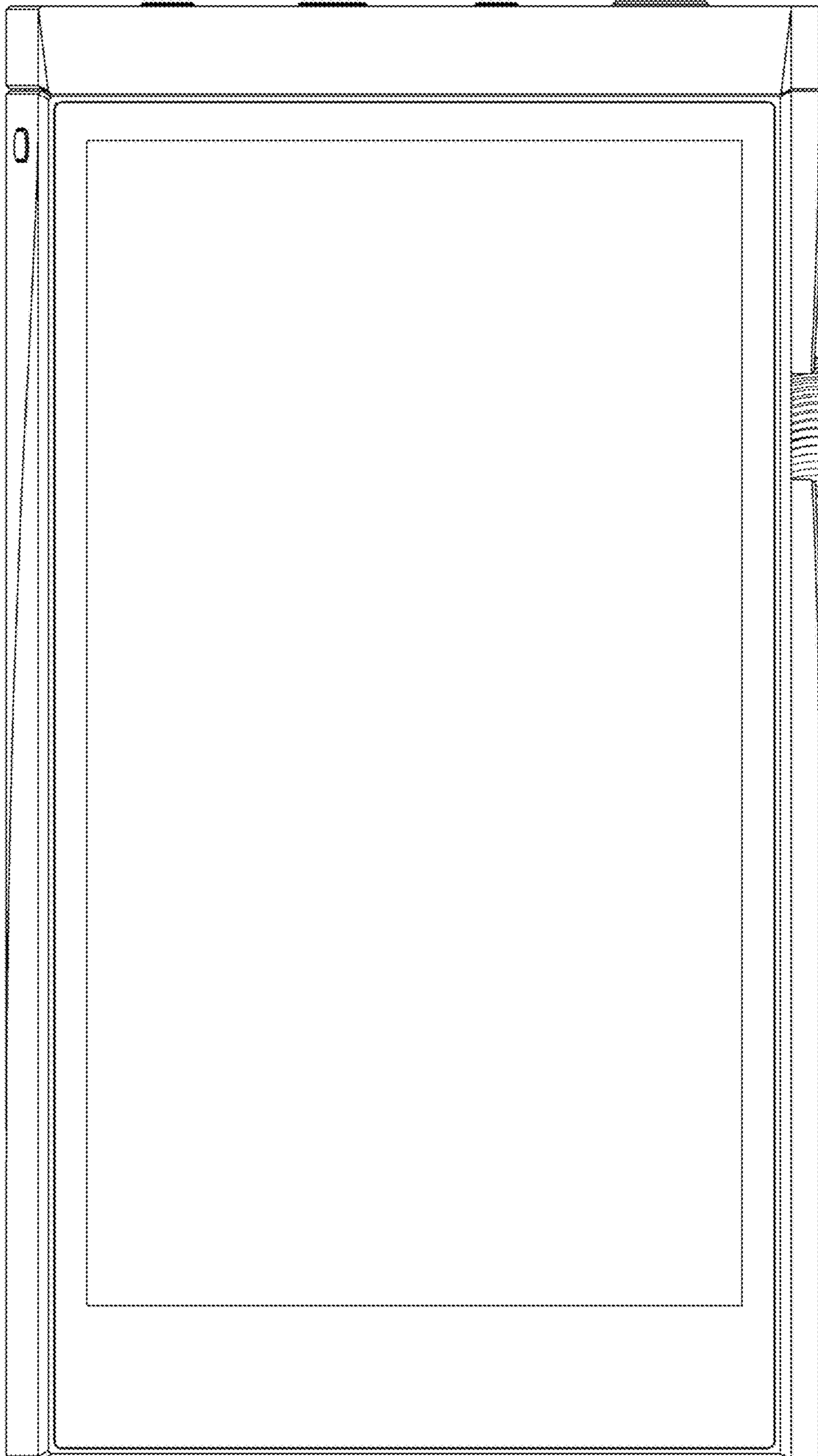
1.1



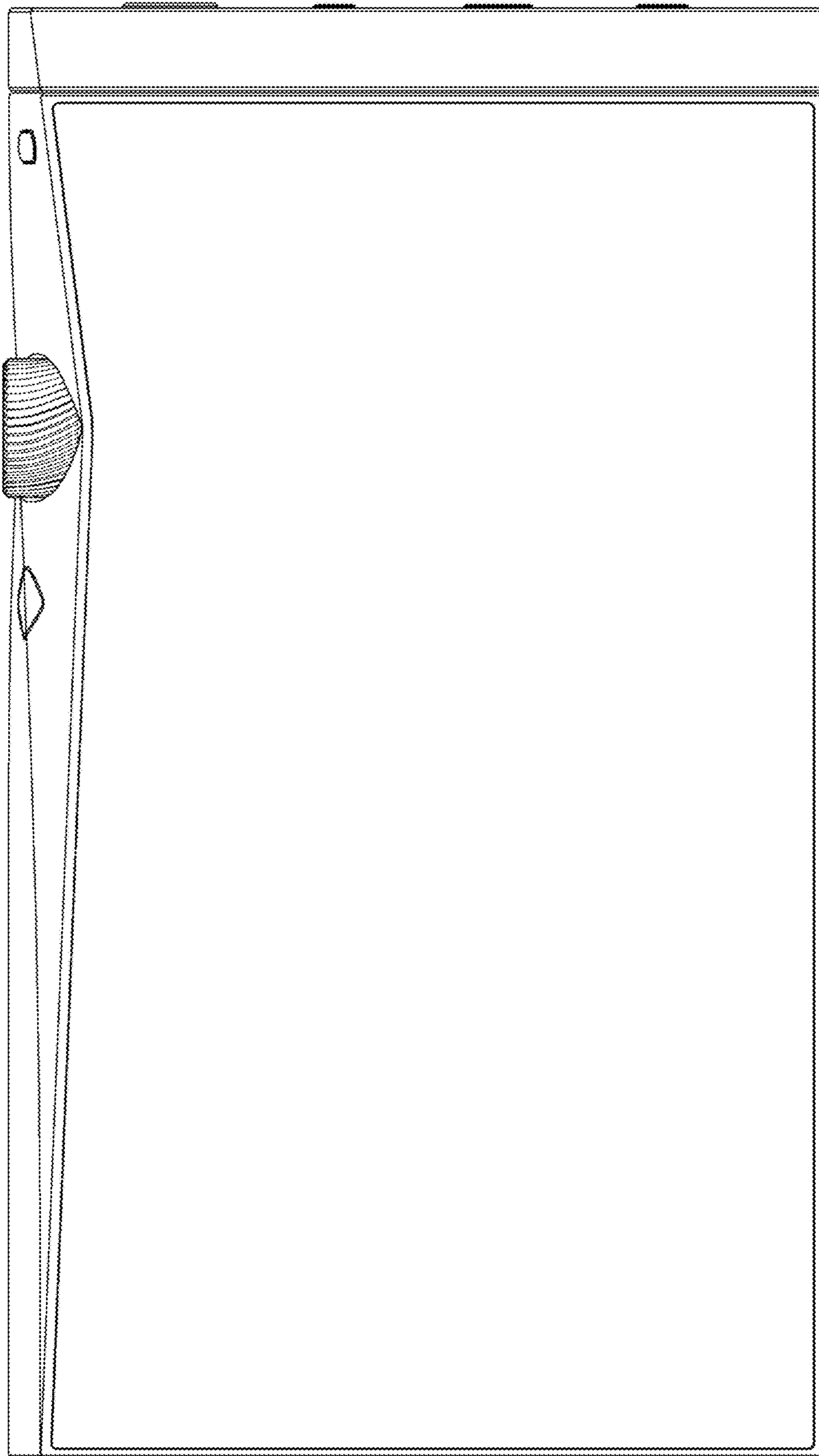
1.2



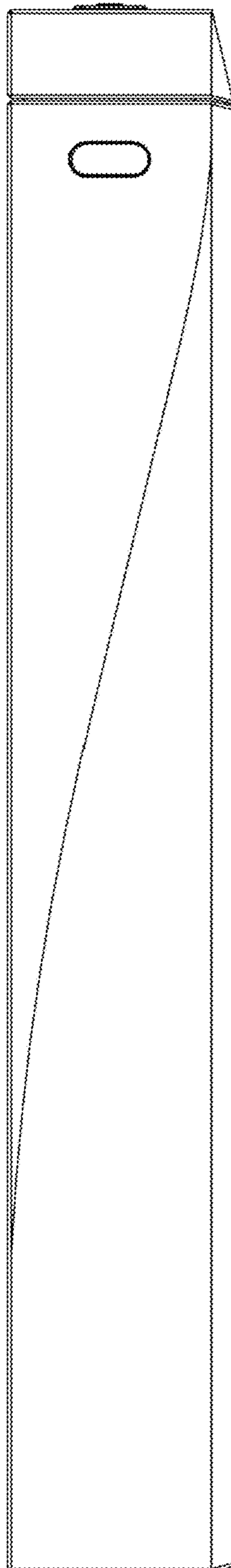
1.3



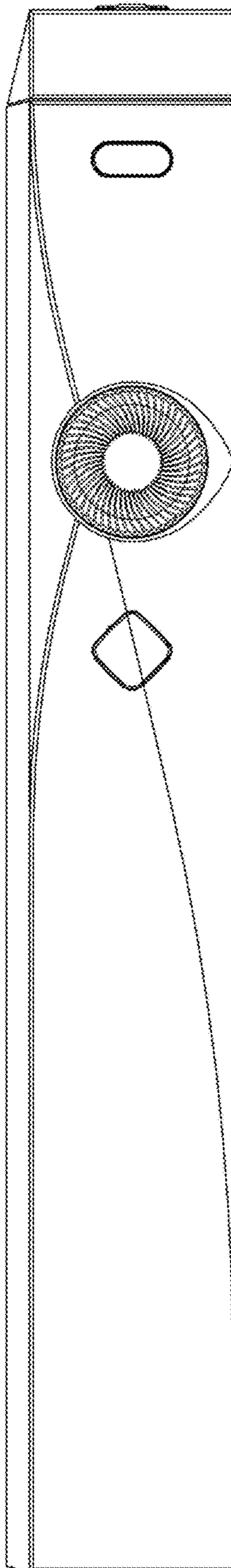
1.4



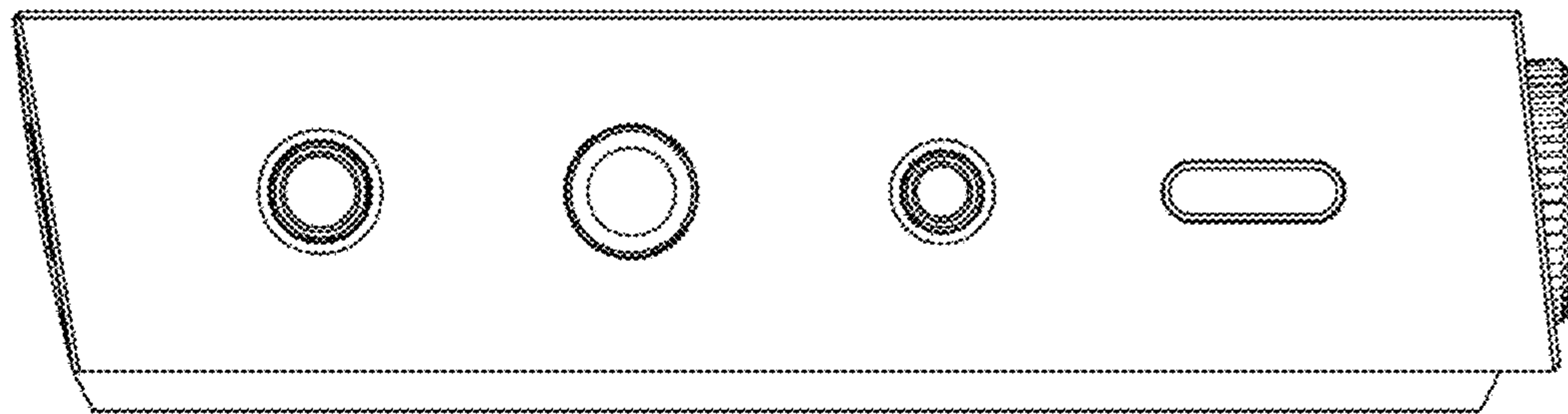
1.5



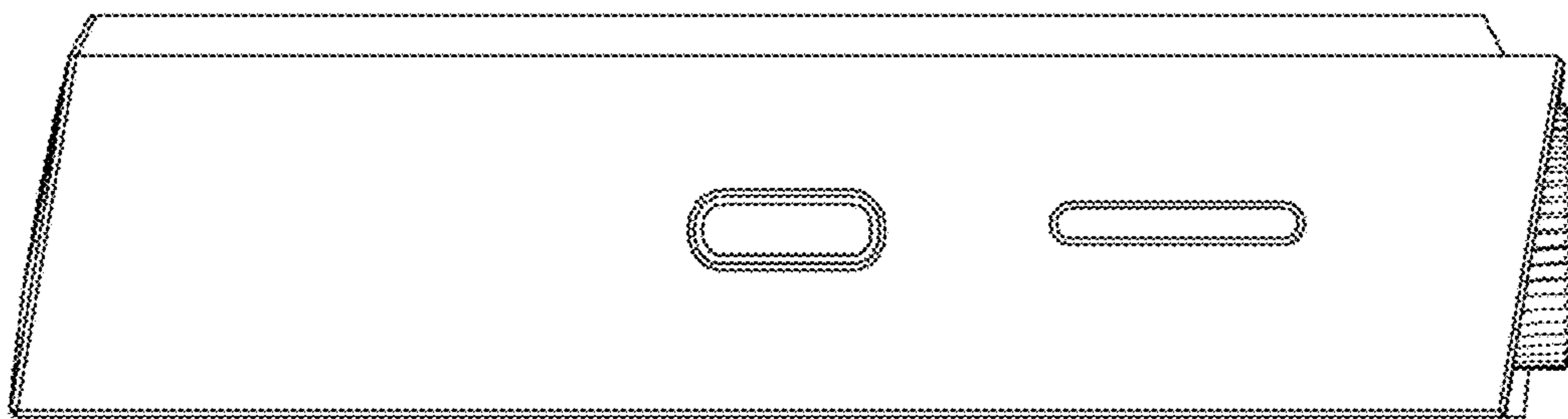
1.6



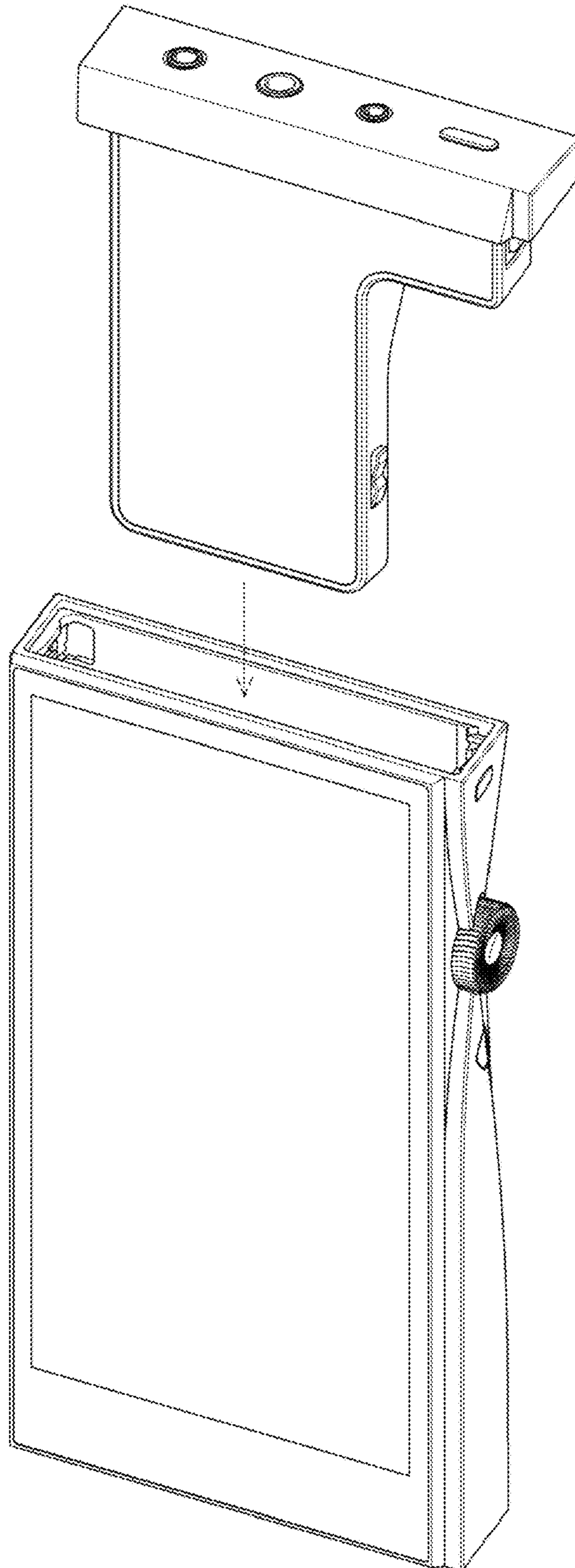
1.7



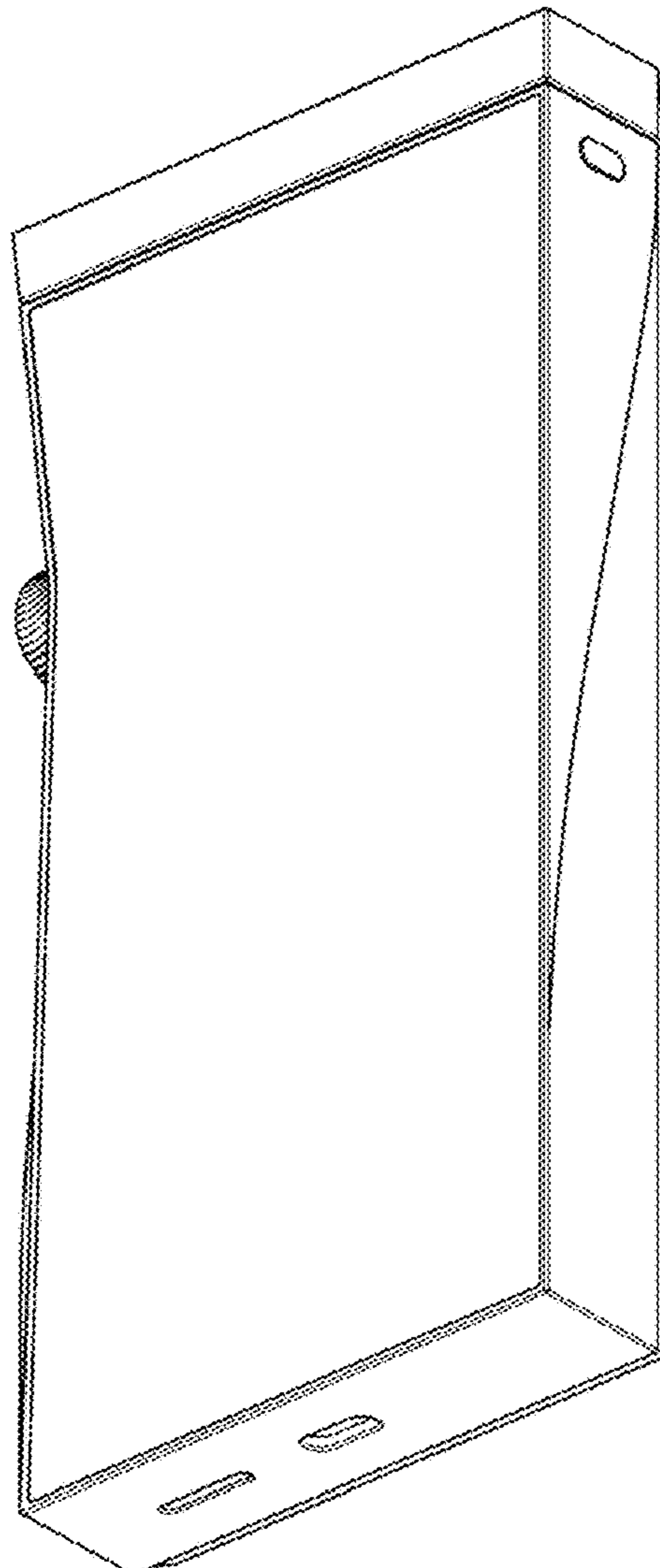
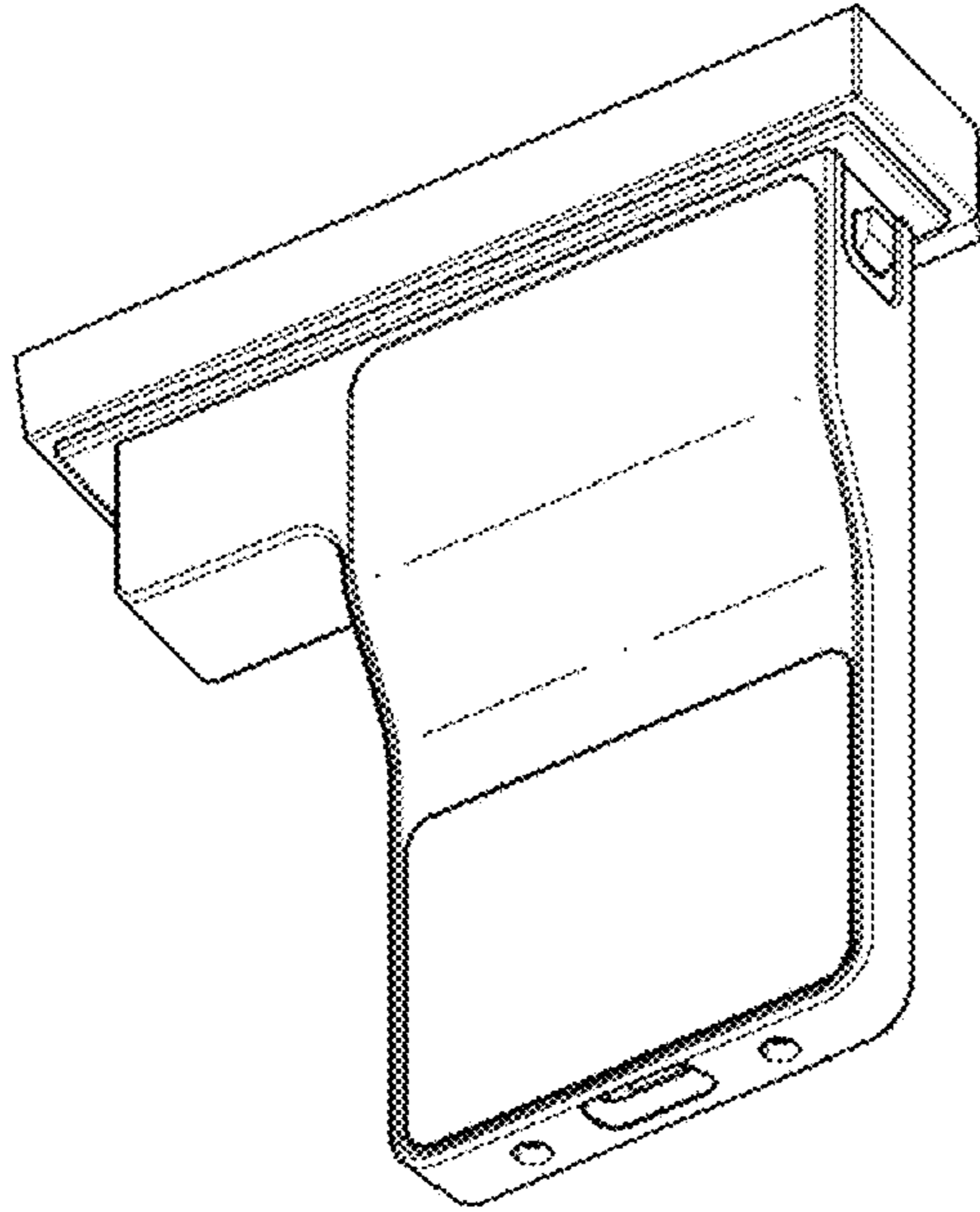
1.8



1.9



1.10



1.11

