

US00D966219S

(12) **United States Design Patent**
Wu et al.

(10) **Patent No.:** **US D966,219 S**

(45) **Date of Patent:** **** *Oct. 11, 2022**

(54) **BABY MONITOR**

(71) Applicant: **Shenzhen Intellirocks Tech. Co., Ltd,**
Shenzhen (CN)

(72) Inventors: **Wenlong Wu,** Shenzhen (CN); **Cheng Gong,** Shenzhen (CN); **Wei Liu,** Shenzhen (CN)

(73) Assignee: **Shenzhen Intellirocks Tech. Co., Ltd,**
Shenzhen (CN)

(*) Notice: This patent is subject to a terminal disclaimer.

(**) Term: **15 Years**

(21) Appl. No.: **29/707,086**

(22) Filed: **Sep. 26, 2019**

(51) **LOC (13) Cl.** **14-03**

(52) **U.S. Cl.**
USPC **D14/137**

(58) **Field of Classification Search**
USPC D14/137, 138 R, 138 AA, 138 AD;
D10/104.1

CPC .. H04B 1/3833; H04B 1/3827; H04B 1/3855;
H04B 2001/3861; H04M 1/0202; H04M
1/03; H04M 1/035

See application file for complete search history.

(56) **References Cited**

U.S. PATENT DOCUMENTS

D310,523 S * 9/1990 Hino D14/137
D460,707 S * 7/2002 Gubitosi D10/104.1

D484,427 S * 12/2003 Ng D14/159
D485,199 S * 1/2004 Ng D10/104.1
D522,897 S * 6/2006 Kellond D14/137
D528,031 S * 9/2006 Kellond D14/137
D539,251 S * 3/2007 Heath D14/137
D735,159 S * 7/2015 Yang D14/137
D837,179 S * 1/2019 Gan D14/159
D842,915 S * 3/2019 Hathway D16/203
D842,916 S * 3/2019 Hathway D16/203
D864,276 S * 10/2019 Hathway D16/203
D878,319 S * 3/2020 Sandberg D14/159

* cited by examiner

Primary Examiner — Bridget L Eland

(74) *Attorney, Agent, or Firm* — W&G Law Group LLP

(57) **CLAIM**

The ornamental design for an baby monitor, as shown and described.

DESCRIPTION

FIG. 1 is a first perspective view of a baby monitor showing our new design;

FIG. 2 is a second perspective view of the baby monitor of FIG. 1;

FIG. 3 is a front view thereof;

FIG. 4 is a rear view thereof;

FIG. 5 is a left view thereof;

FIG. 6 is a right view thereof;

FIG. 7 is a top view thereof;

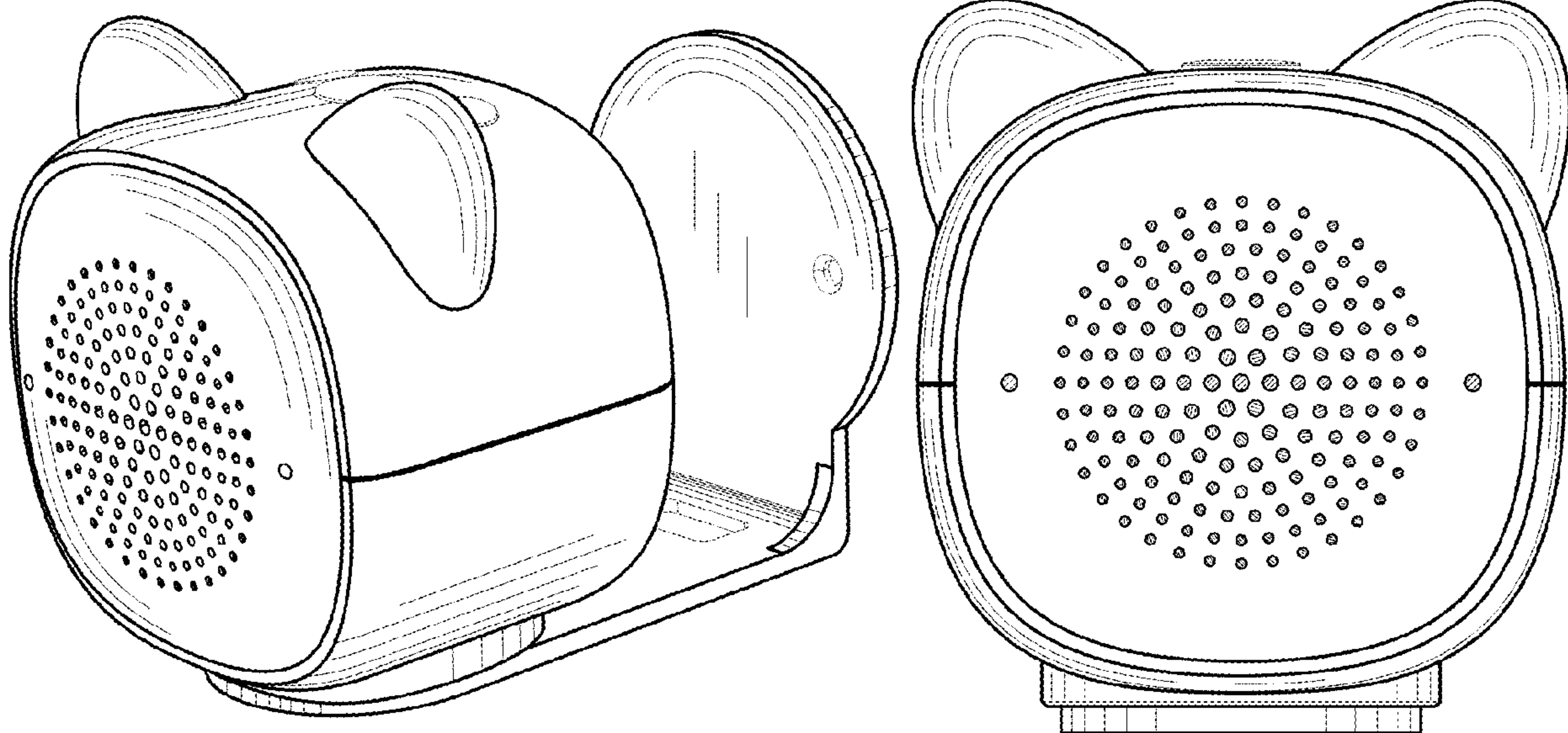
FIG. 8 is a bottom view thereof;

FIG. 9 is a first exploded perspective view thereof; and,

FIG. 10 is a second exploded perspective view thereof.

The broken lines in the drawings show portions of the baby monitor which form no part of the claimed design.

1 Claim, 10 Drawing Sheets



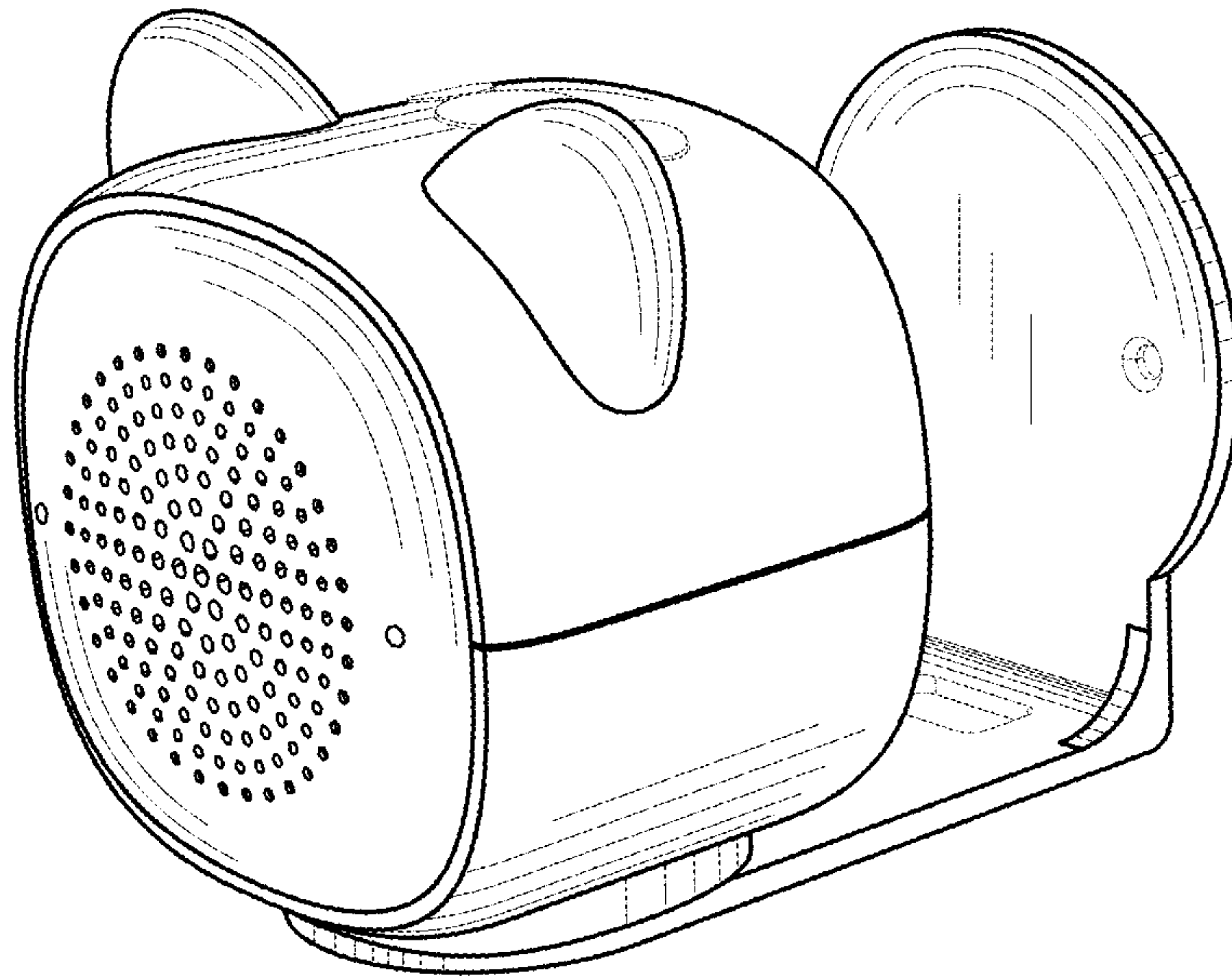


FIG. 1

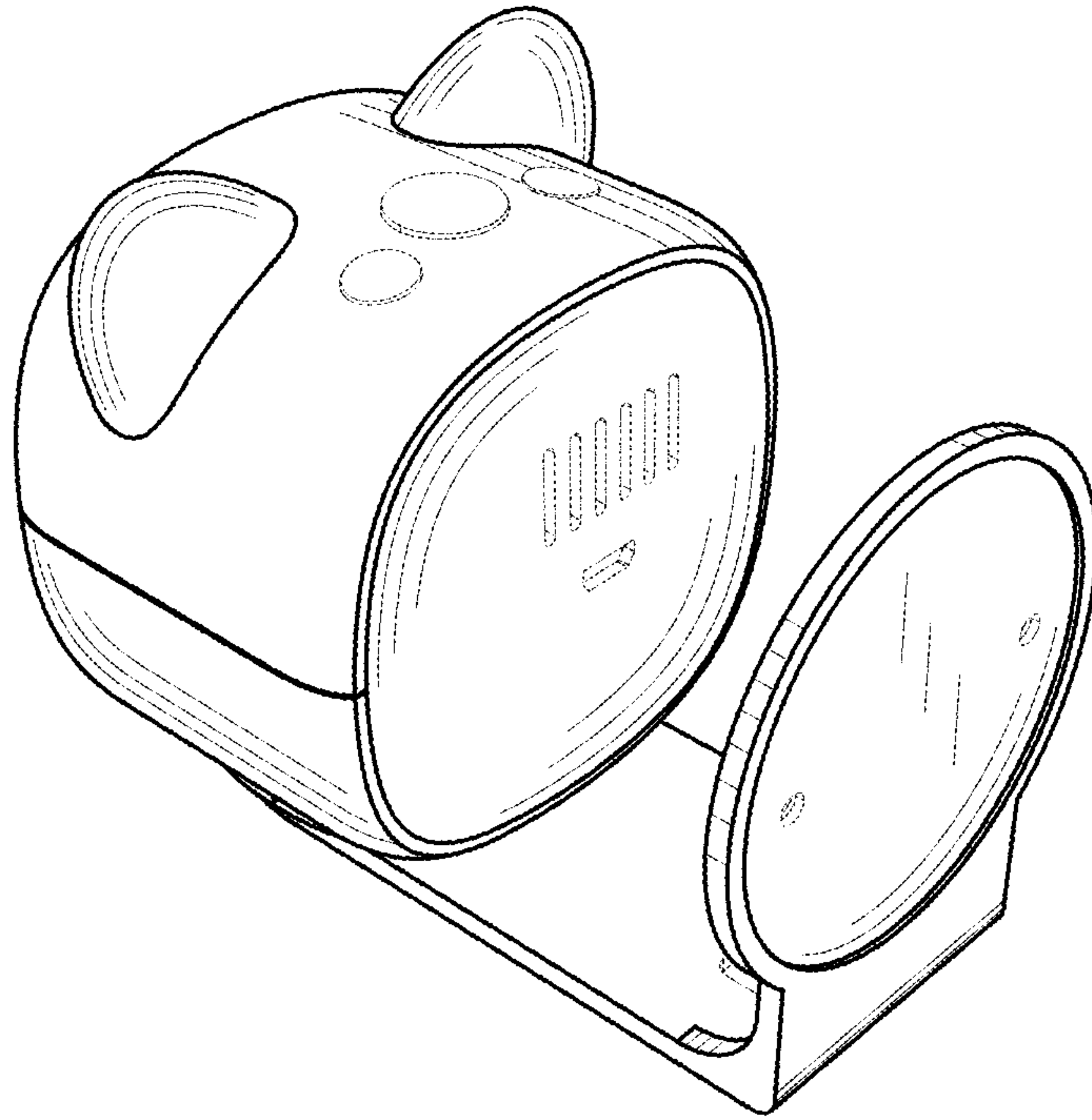


FIG. 2

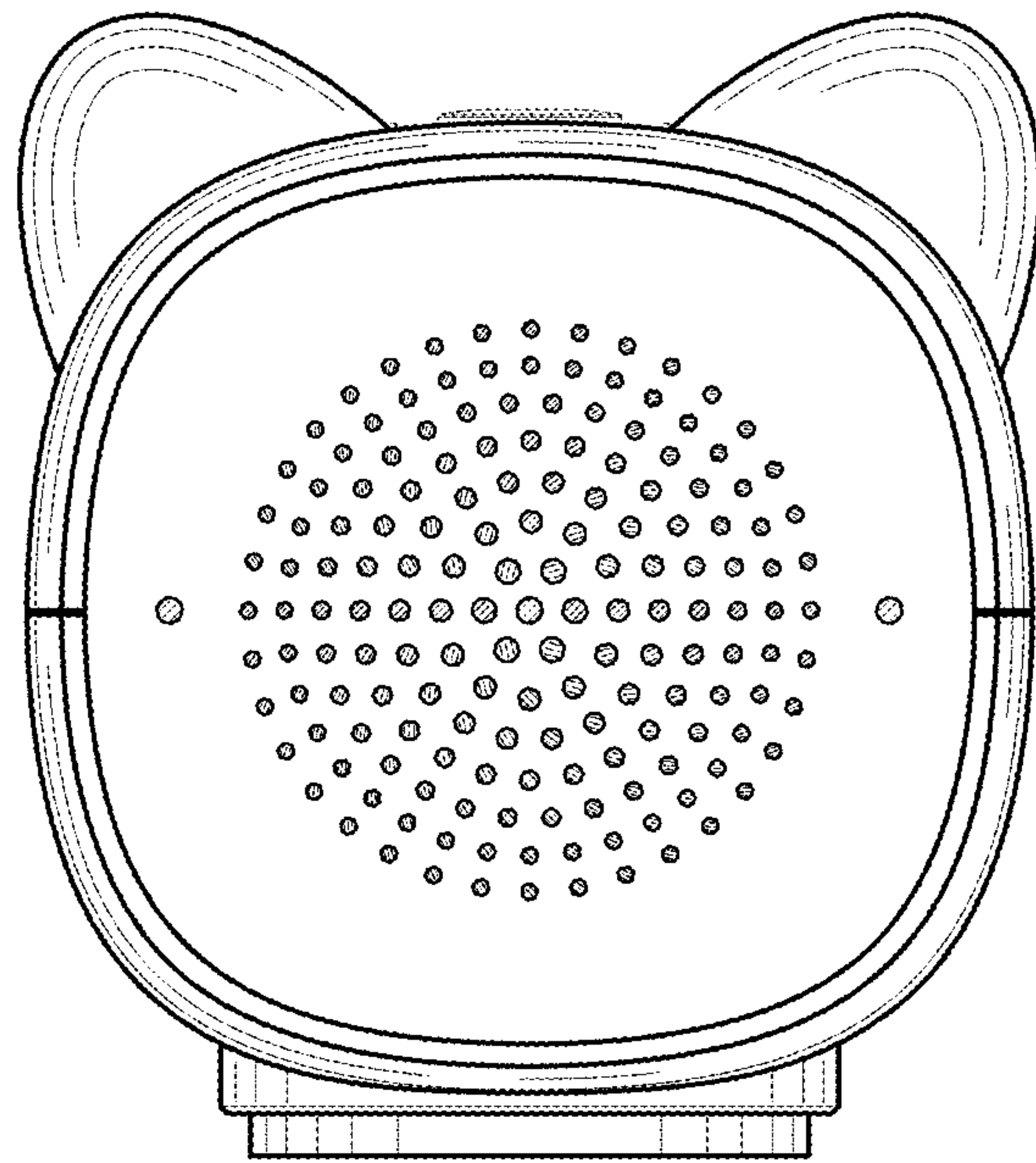


FIG. 3

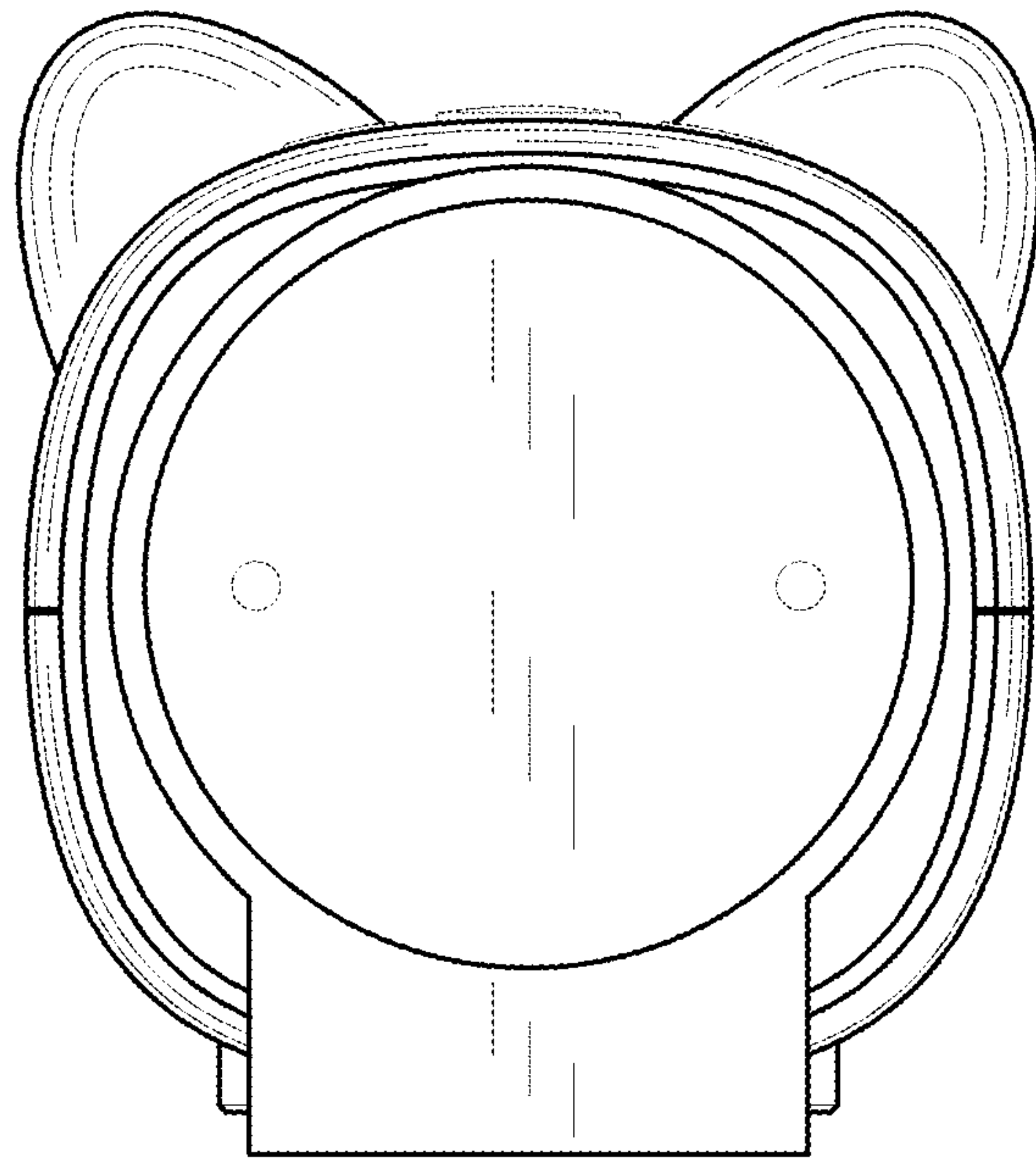


FIG. 4

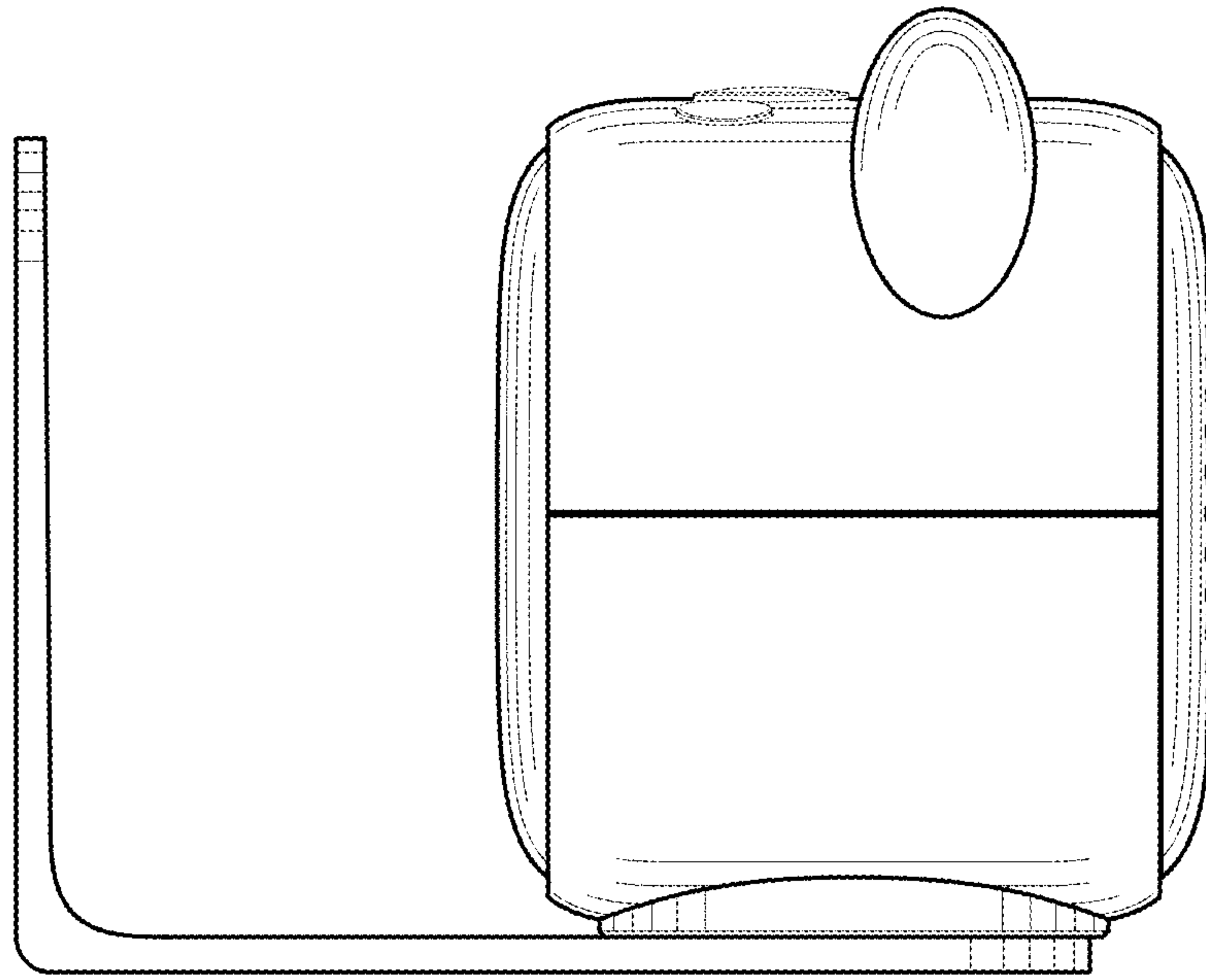


FIG. 5

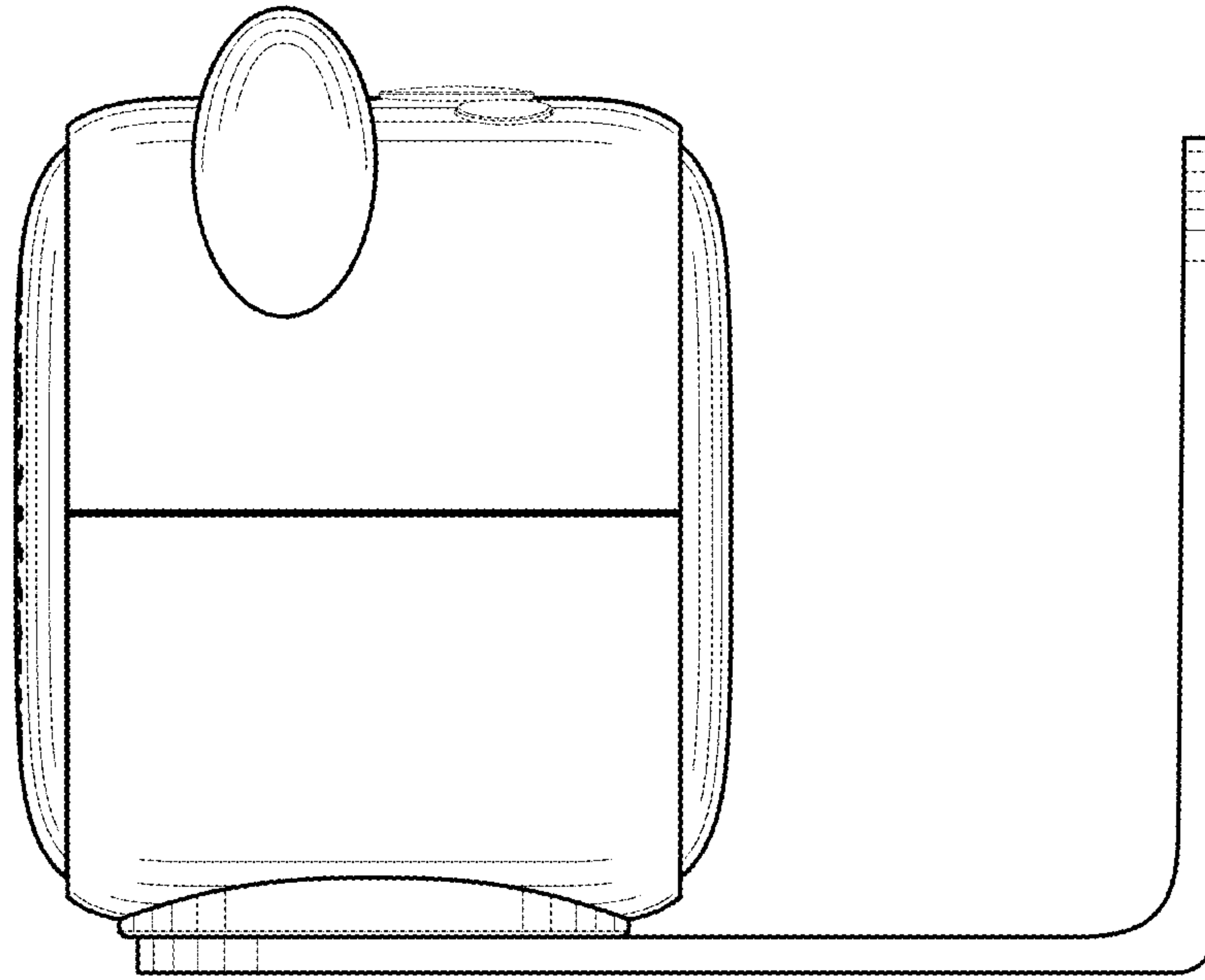


FIG. 6

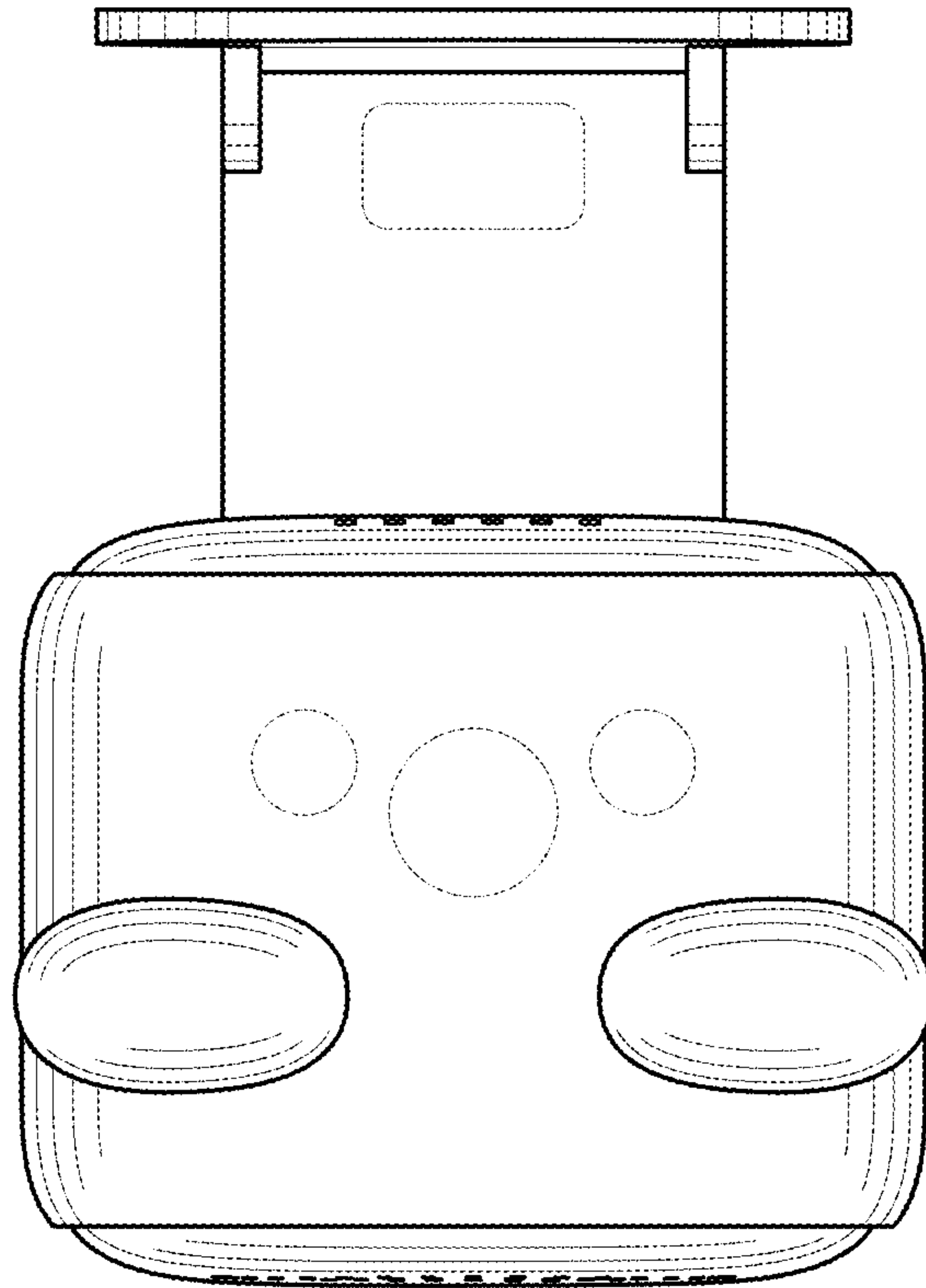


FIG. 7

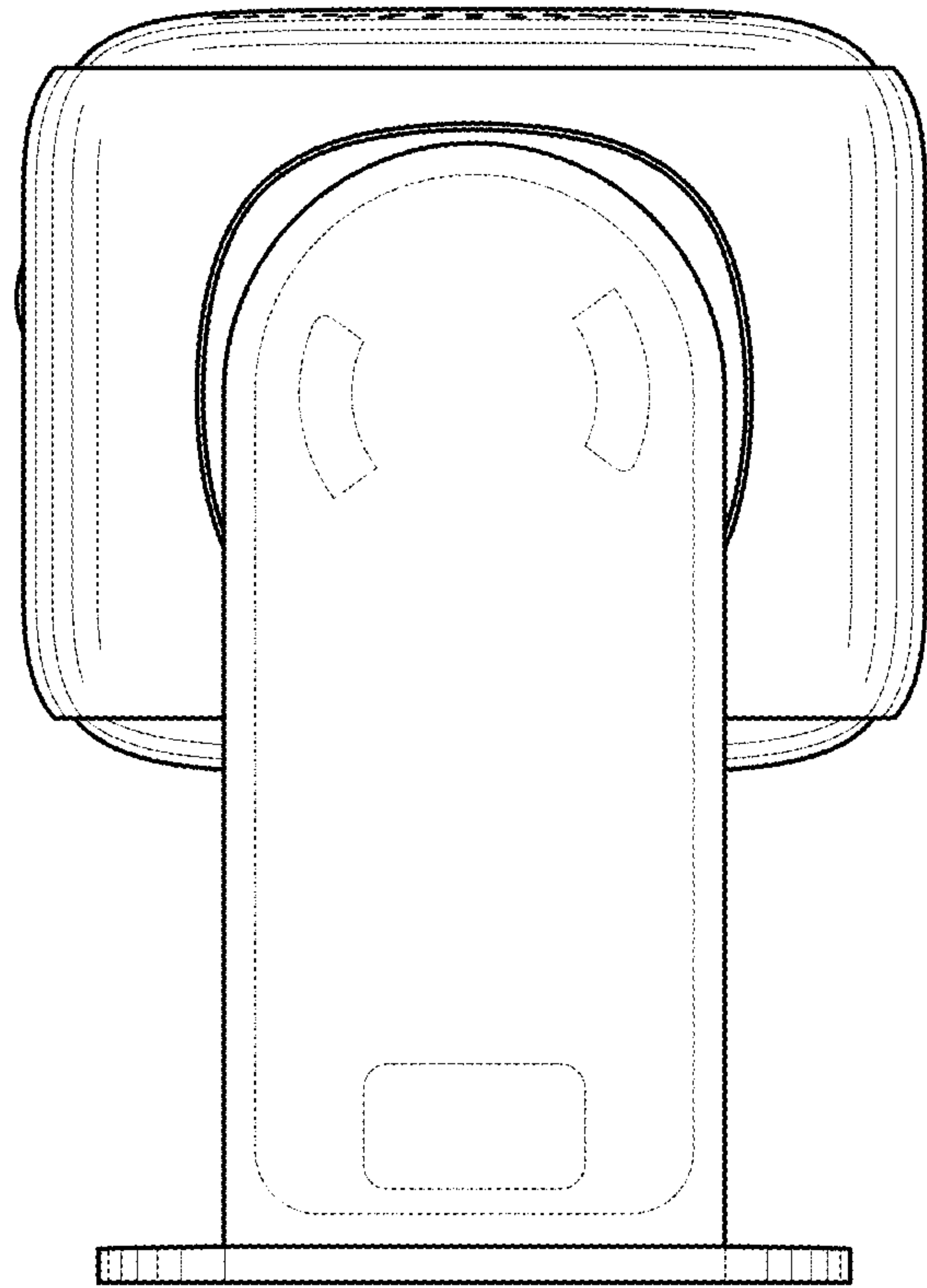


FIG. 8

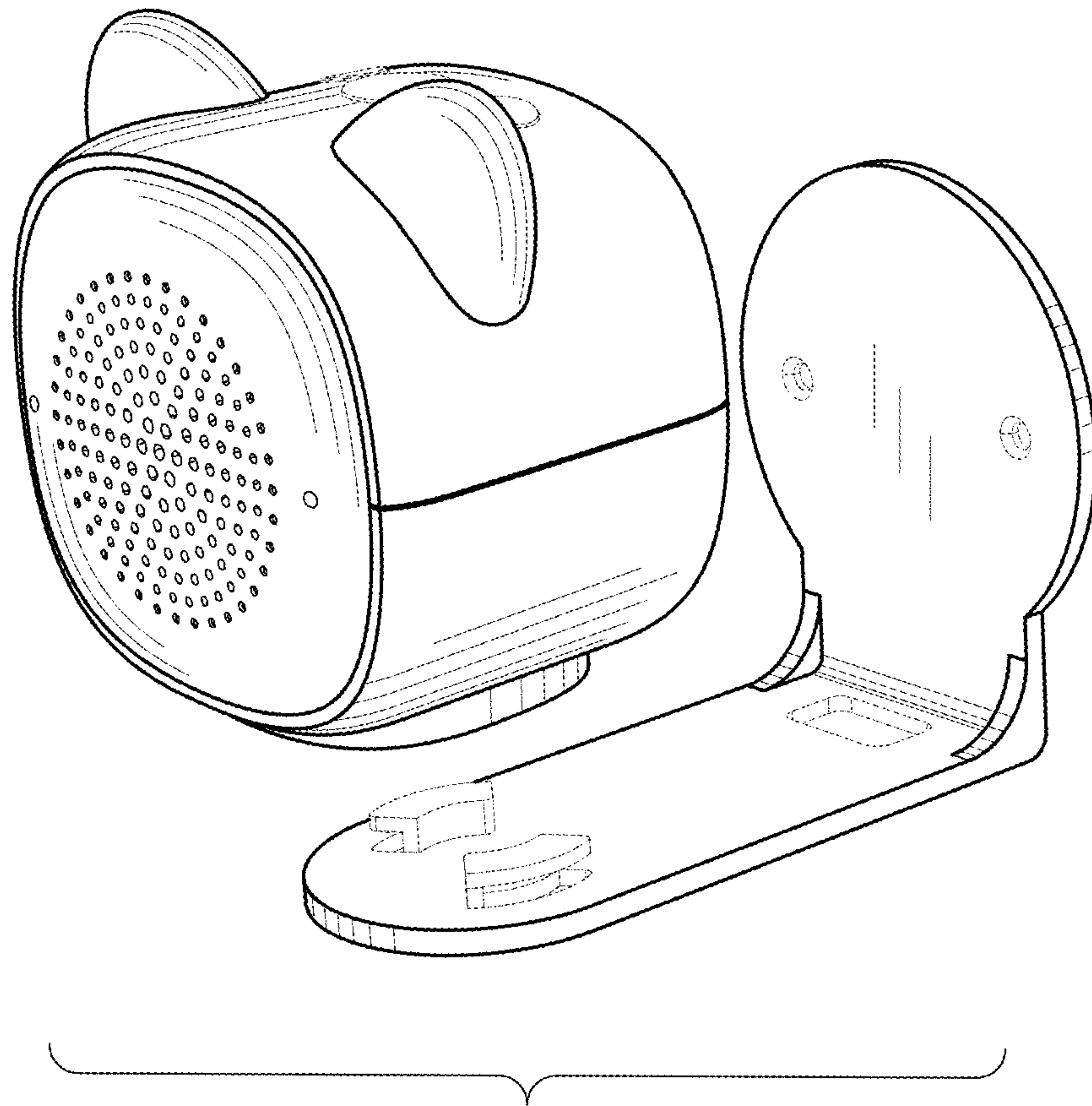


FIG. 9

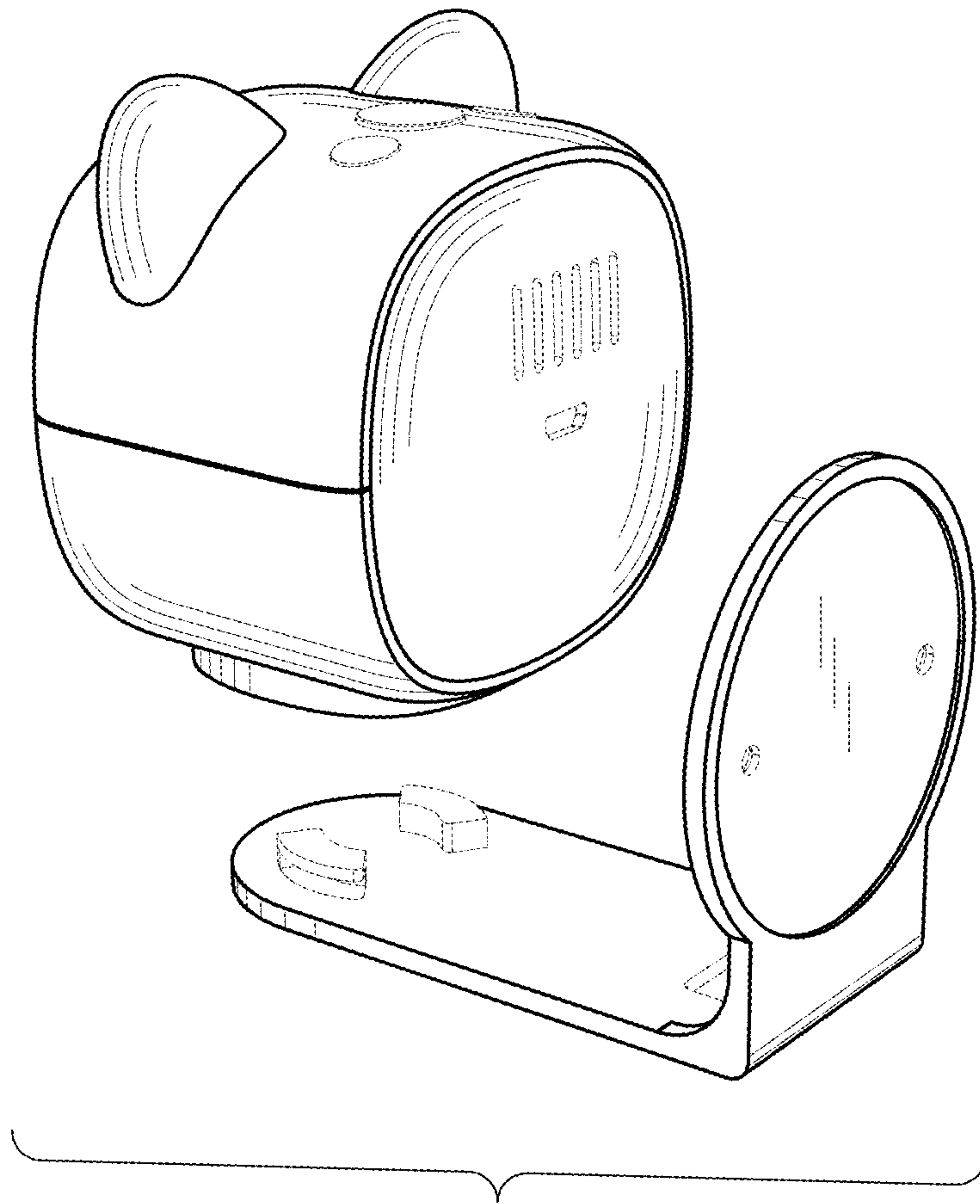


FIG. 10