

US00D966217S

(12) **United States Design Patent** (10) **Patent No.:** **US D966,217 S**
Lee et al. (45) **Date of Patent:** **** Oct. 11, 2022**

(54) **TELEVISION RECEIVER**

(71) Applicant: **LG ELECTRONICS INC.**, Seoul (KR)
(72) Inventors: **Nari Lee**, Seoul (KR); **Woosuk Park**, Seoul (KR); **Sangik Lee**, Seoul (KR)
(73) Assignee: **LG ELECTRONICS INC.**, Seoul (KR)
(**) Term: **15 Years**

(21) Appl. No.: **35/512,575**
(22) Filed: **Mar. 16, 2021**

(80) **Hague Agreement Data**

Int. Filing Date: **Mar. 16, 2021**
Int. Reg. No.: **DM/213511**
Int. Reg. Date: **Mar. 16, 2021**
Int. Reg. Pub. Date: **Sep. 17, 2021**

(30) **Foreign Application Priority Data**

Sep. 23, 2020 (KR) 30-2020-0045975
(51) **LOC (13) Cl.** **14-03**
(52) **U.S. Cl.**
USPC **D14/126; D14/452**
(58) **Field of Classification Search**
USPC D14/125-129, 132, 238, 300, 308, 310,
D14/316, 336, 357, 371, 375-380, 451,
D14/452; D26/93
CPC G06F 1/1601; G06F 1/1605; G06F 1/162
See application file for complete search history.

(56) **References Cited**

U.S. PATENT DOCUMENTS

D595,512 S * 7/2009 Chen D14/371
D624,894 S * 10/2010 Kasuga D14/126
D628,578 S * 12/2010 Chou D14/451
D681,647 S * 5/2013 Choi D14/451

(Continued)

OTHER PUBLICATIONS

LG made a battery-powered TV that you can wheel around on a stand (LG StanbyME and Objet tv), publication date Dec. 13, 2021, [online] URL: <https://www.theverge.com/2021/12/13/22832356/lg-stanby-me-portable-tv-objet-announced-design-specs> (Year: 2021).*
(Continued)

Primary Examiner — L. A. Grabenstetter
(74) *Attorney, Agent, or Firm* — Birch, Stewart, Kolasch & Birch, LLP

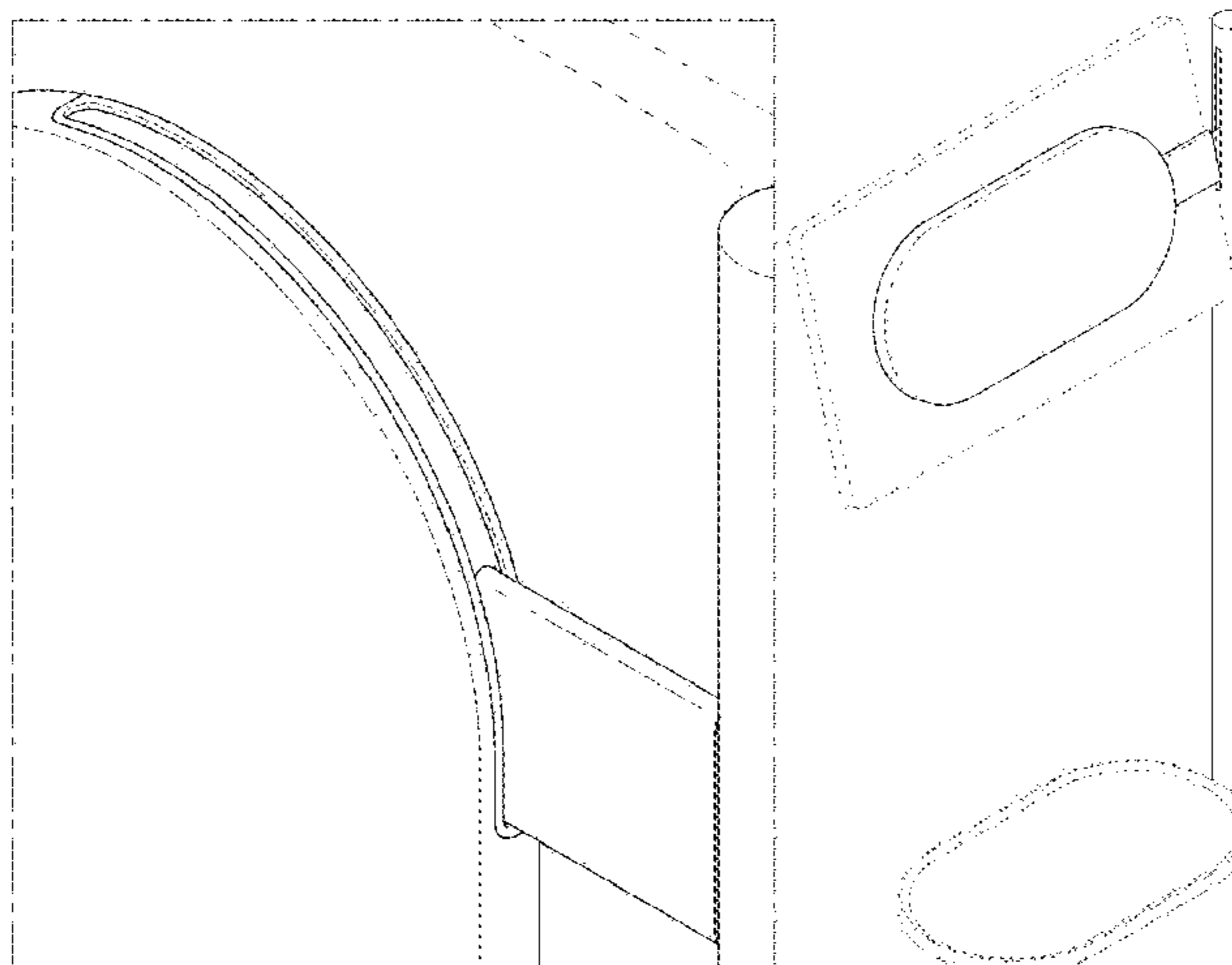
(57) **CLAIM**

The ornamental design for a television receiver, as shown and described.

DESCRIPTION

1. Television receiver
1.1 : Front perspective view
1.2 : Rear perspective view
1.3 : Front view
1.4 : Rear view
1.5 : Left view
1.6 : Right view
1.7 : Top view
1.8 : Bottom view
1.9 : Partial enlarged rear perspective view, taken from reproduction 1.2
1.10 : Rear view, shown with the display panel rotated
1.11 : Rear perspective view, shown with the display panel rotated
The dual hinge and the slit between a display panel with a speaker and a stand allows the display panel and the stand to move up and down, rotate and lift; reproduction 1.9 is an enlarged view of portions of reproduction 1.2, represented by the square in dash dot lines, curvy lines and number 1.9; reproductions 1.10 and 1.11 are reference views showing an example state of use which the display panel with the speaker can be rotated.

1 Claim, 11 Drawing Sheets



(56)

References Cited

U.S. PATENT DOCUMENTS

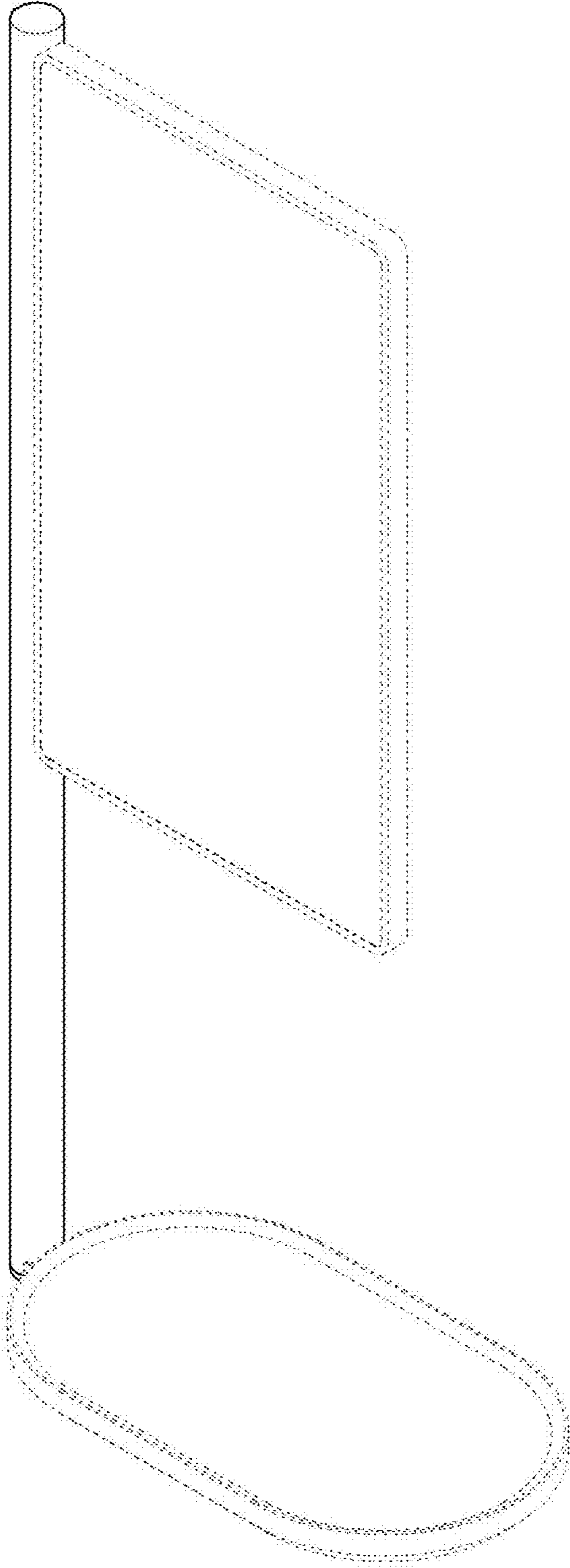
D728,497 S	*	5/2015	Jung	D14/126
D729,971 S	*	5/2015	Salojarvi	D26/104
D733,159 S	*	6/2015	Jung	D14/451
D748,079 S	*	1/2016	Dinsdale	D14/230
D755,302 S	*	5/2016	Jansen	D20/41
D773,106 S	*	11/2016	Feit	D26/110
D798,253 S	*	9/2017	Kim	D14/126
D819,615 S	*	6/2018	Lee	D14/126
D851,066 S	*	6/2019	Hsu	D14/209.1
D860,213 S	*	9/2019	Sheng	D14/341
D888,321 S	*	6/2020	Smrstick	D26/93
D941,288 S	*	1/2022	Bhat	D14/336

OTHER PUBLICATIONS

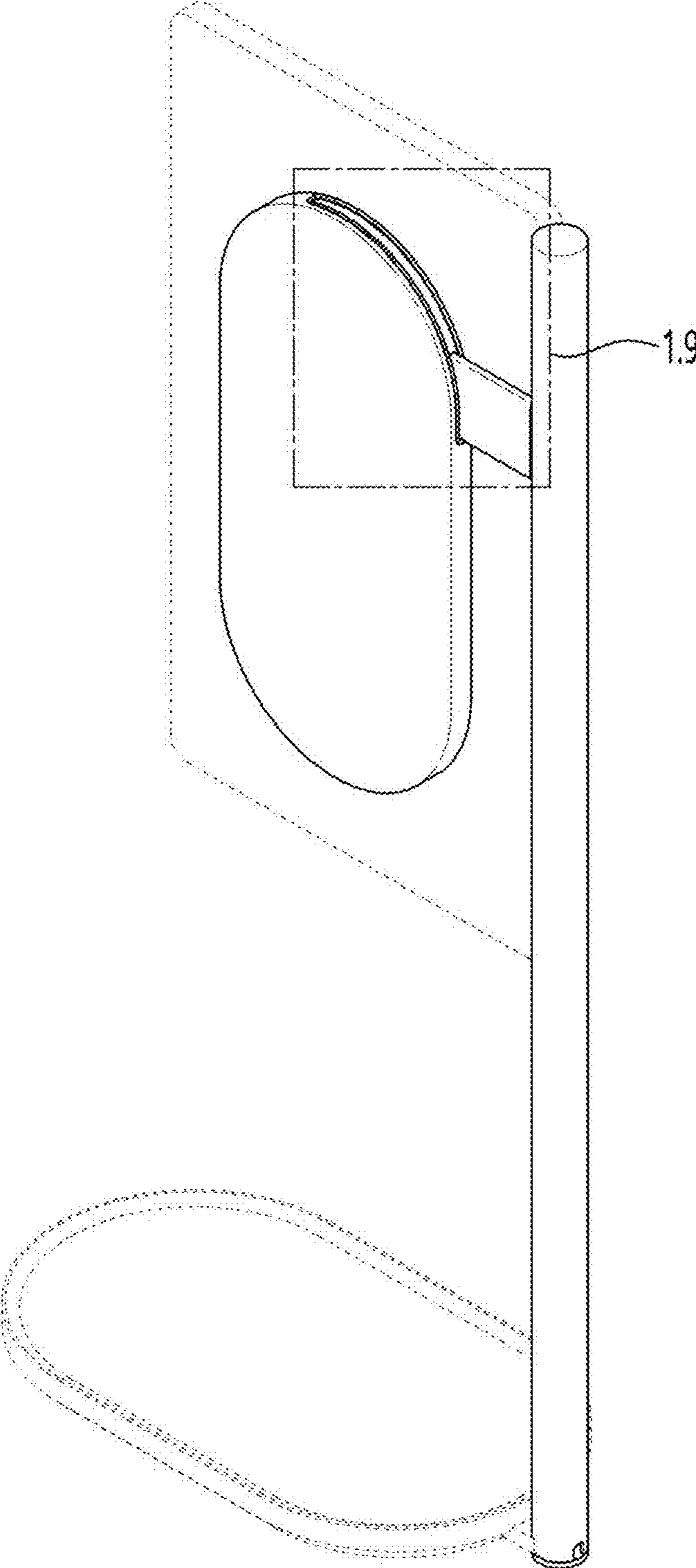
Samsung launches artsy new TVs in Paris (Gravity television stand), publication date Mar. 15, 2017, [online] URL: <https://www.gadgetmatch.com/samsung-qlcd-tv-the-frame-paris-launch/> (Year: 2017).*

* cited by examiner

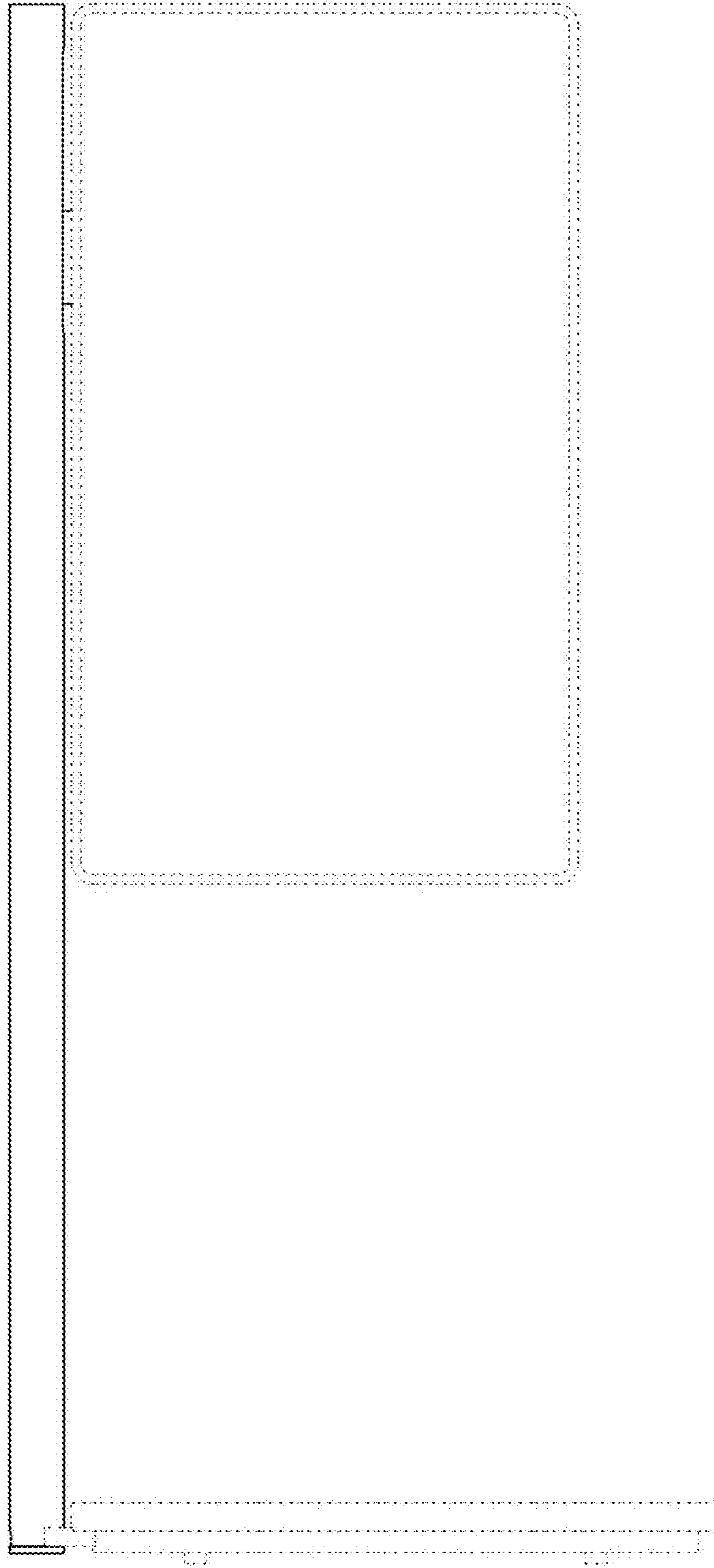
1.1



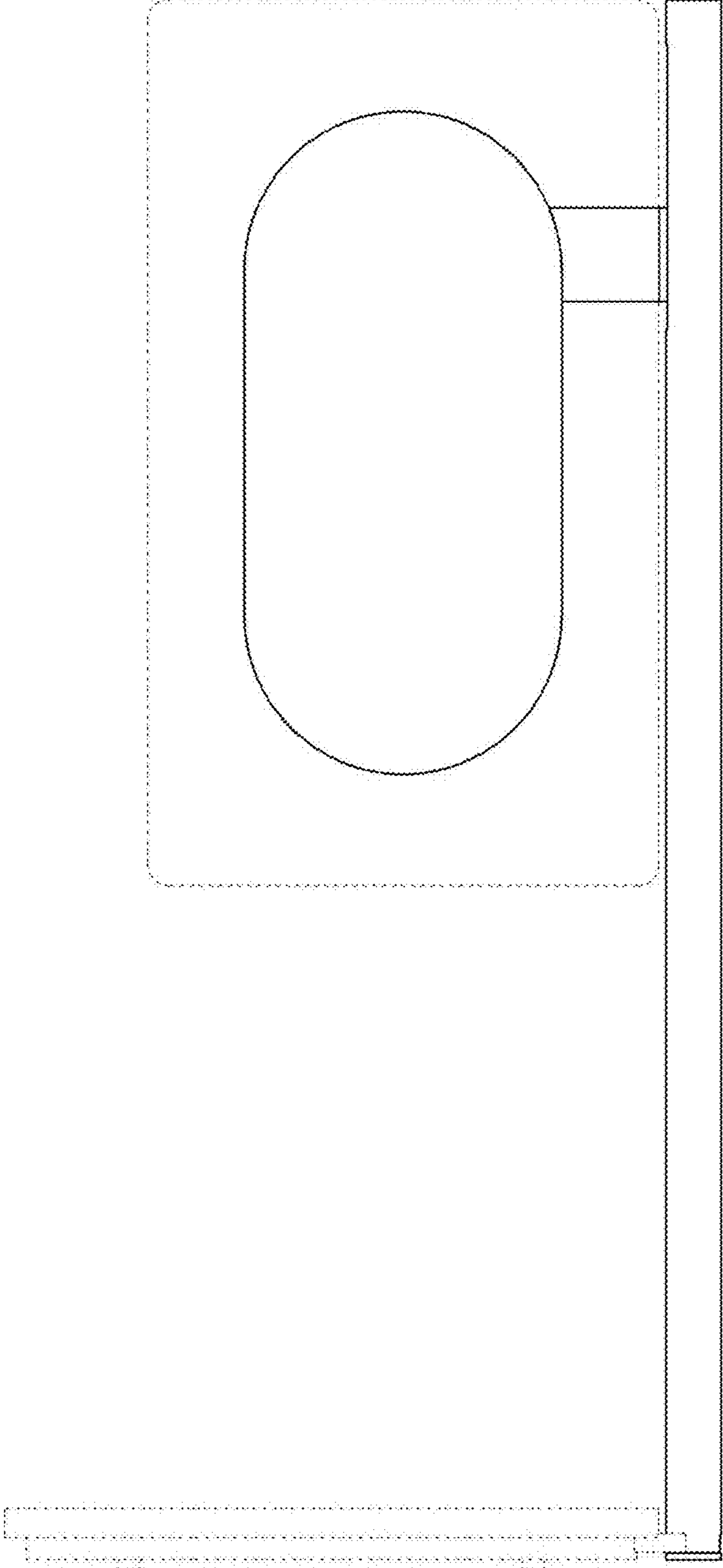
1.2



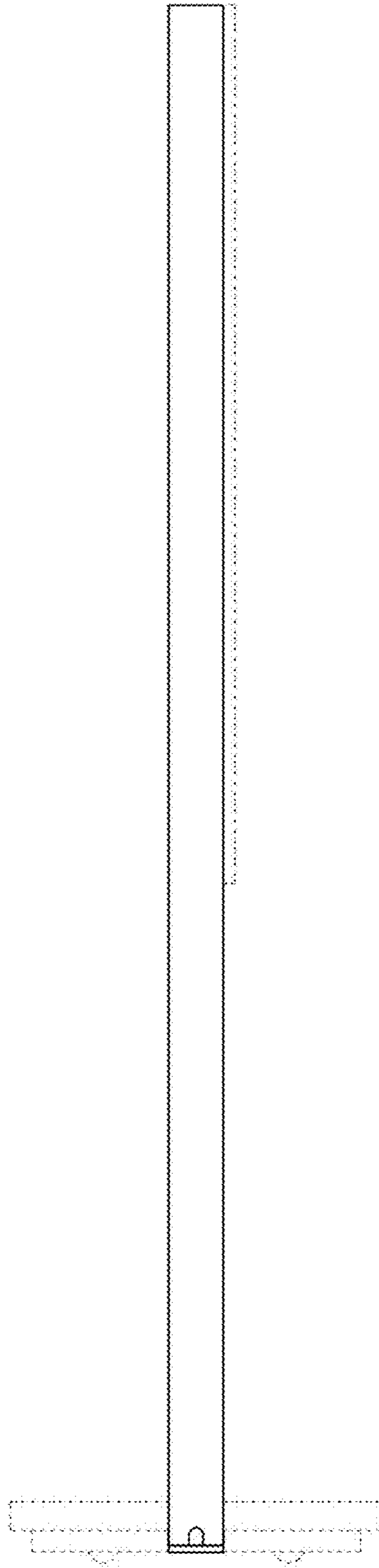
1.3



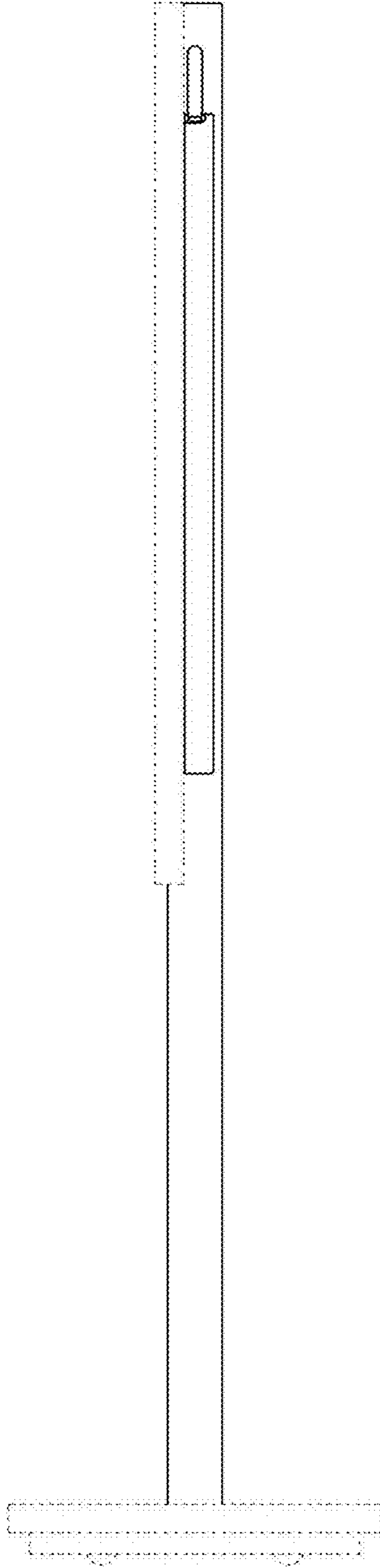
1.4



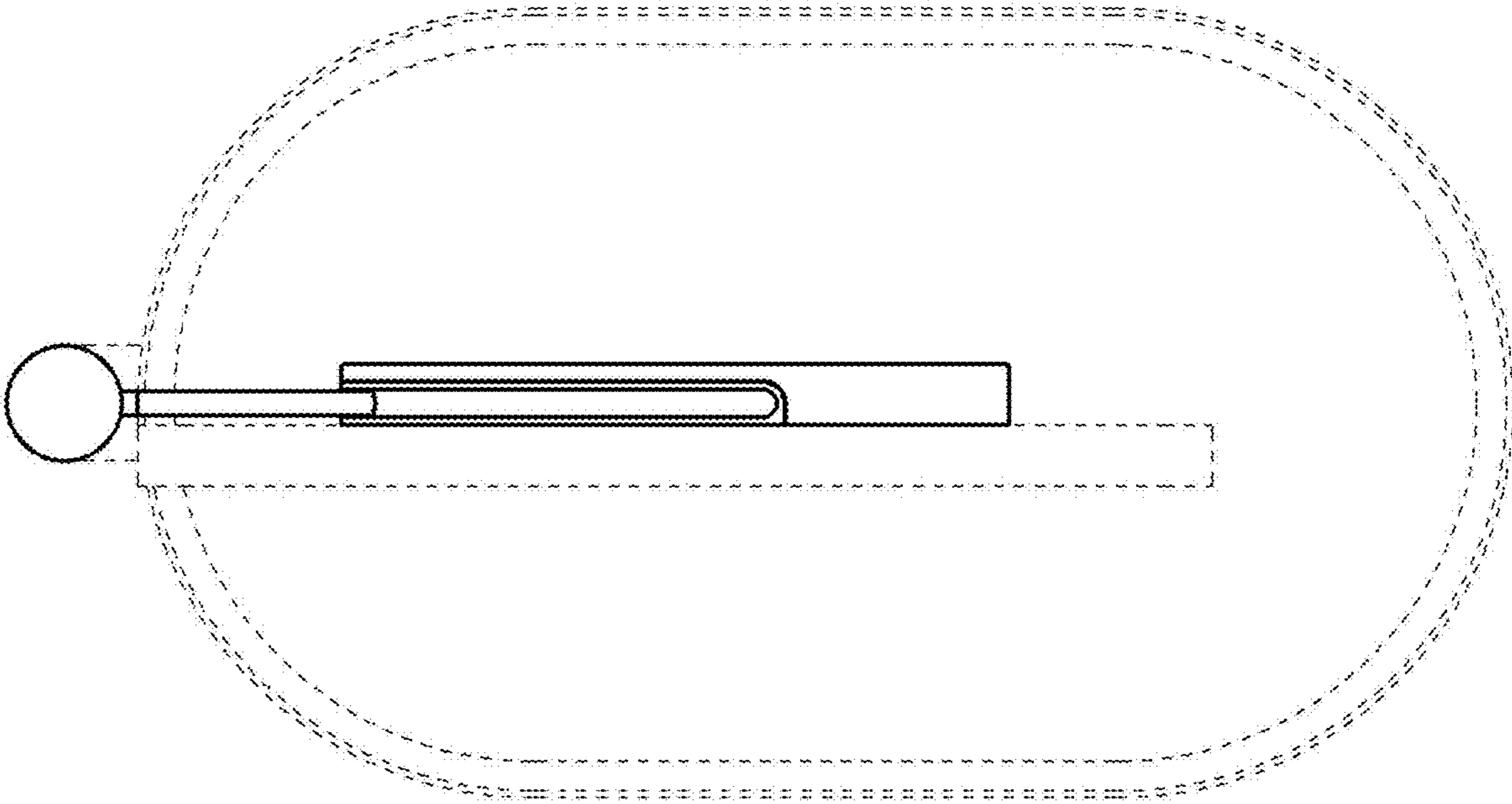
1.5



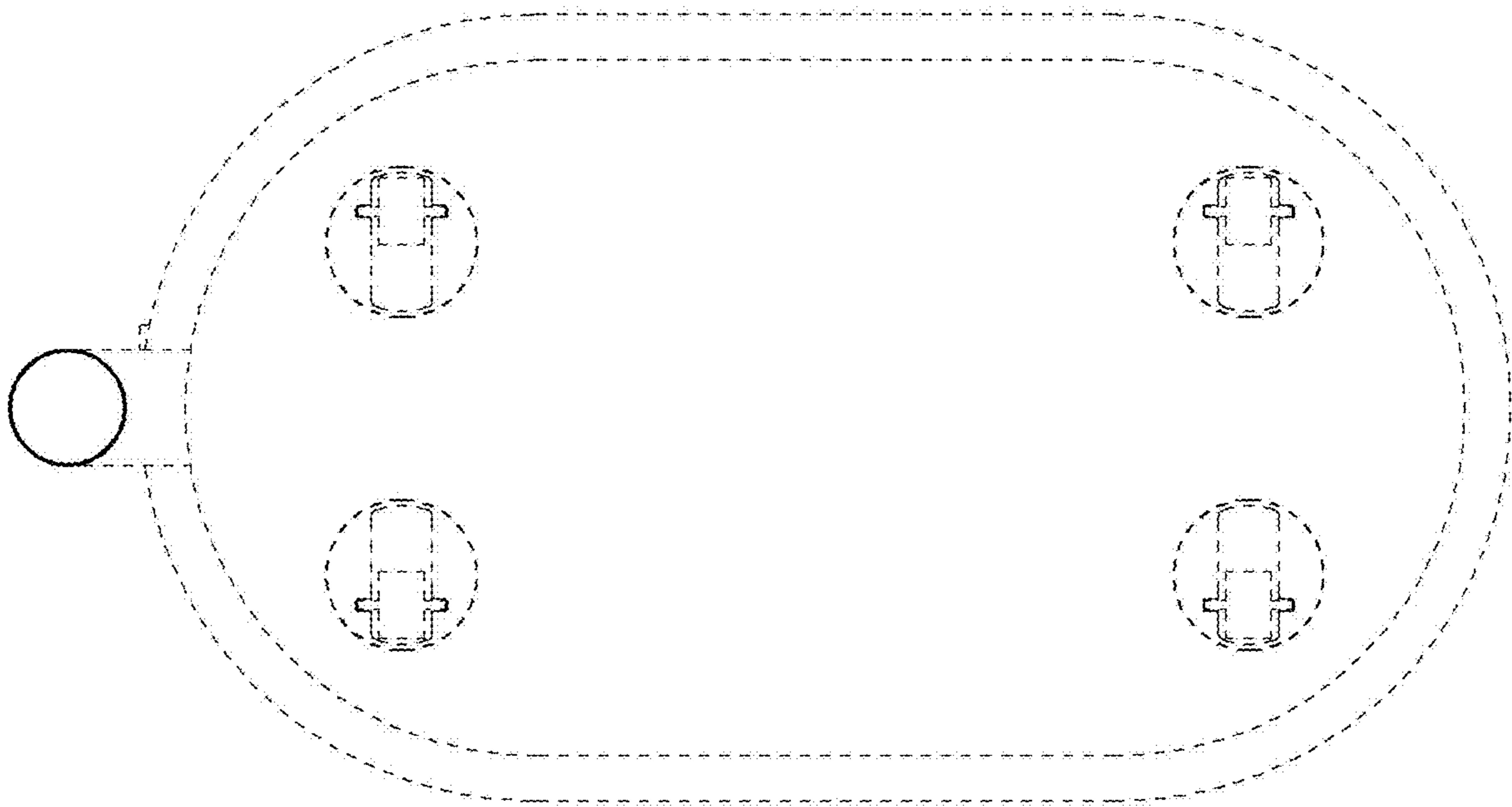
1.6



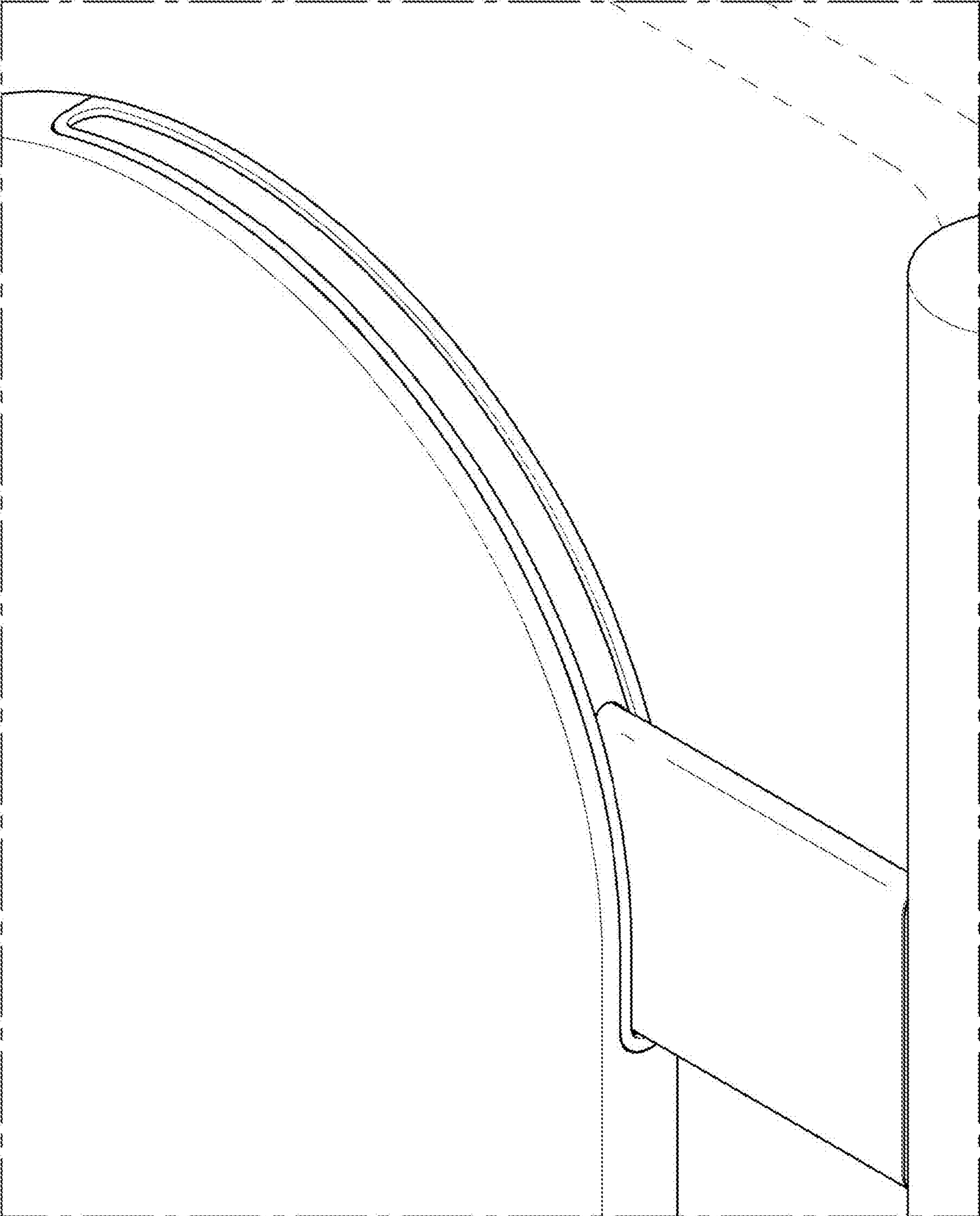
1.7



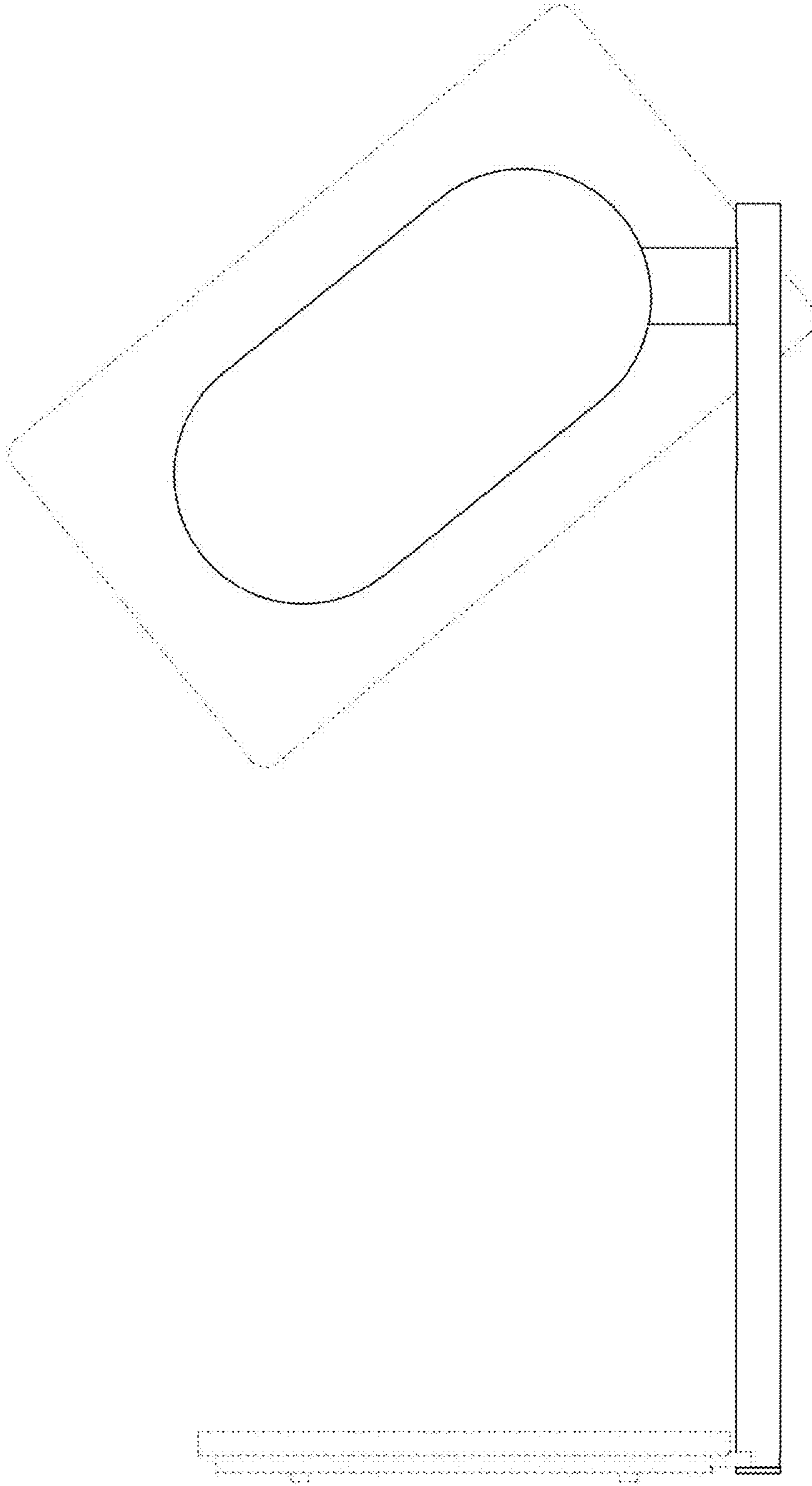
1.8



1.9



1.10



1.11

