

US00D966216S

(12) **United States Design Patent** (10) **Patent No.:** **US D966,216 S**
Lee et al. (45) **Date of Patent:** **** Oct. 11, 2022**

(54) **TELEVISION RECEIVER**

(71) Applicant: **LG ELECTRONICS INC.**, Seoul (KR)

(72) Inventors: **Nari Lee**, Seoul (KR); **Woosuk Park**, Seoul (KR); **Sangik Lee**, Seoul (KR)

(73) Assignee: **LG ELECTRONICS INC.**, Seoul (KR)

(**) Term: **15 Years**

(21) Appl. No.: **35/512,552**

(22) Filed: **Mar. 16, 2021**

(80) **Hague Agreement Data**

Int. Filing Date: **Mar. 16, 2021**
Int. Reg. No.: **DM/213442**
Int. Reg. Date: **Mar. 16, 2021**
Int. Reg. Pub. Date: **Sep. 17, 2021**

(30) **Foreign Application Priority Data**

Sep. 23, 2020 (KR) 30-2020-0045981

(51) **LOC (13) Cl.** **14-03**

(52) **U.S. Cl.**
USPC **D14/126; D14/452**

(58) **Field of Classification Search**
USPC D14/125-129, 132, 300, 308, 310, 316,
D14/336, 357, 371, 375-380, 451, 452
(Continued)

(56) **References Cited**

U.S. PATENT DOCUMENTS

D489,370 S * 5/2004 Jobs D14/371
D551,184 S * 9/2007 Kanou D14/129
(Continued)

OTHER PUBLICATIONS

LG made a battery-powered TV that you can wheel around on a stand (LG StanbyME), publication date Dec. 13, 2021, [online]

URL: <https://www.theverge.com/2021/12/13/22832356/lg-stanby-me-portable-tv-objet-announced-design-specs> (Year: 2021).*

(Continued)

Primary Examiner — L. A. Grabenstetter
(74) *Attorney, Agent, or Firm* — Birch, Stewart, Kolasch & Birch, LLP

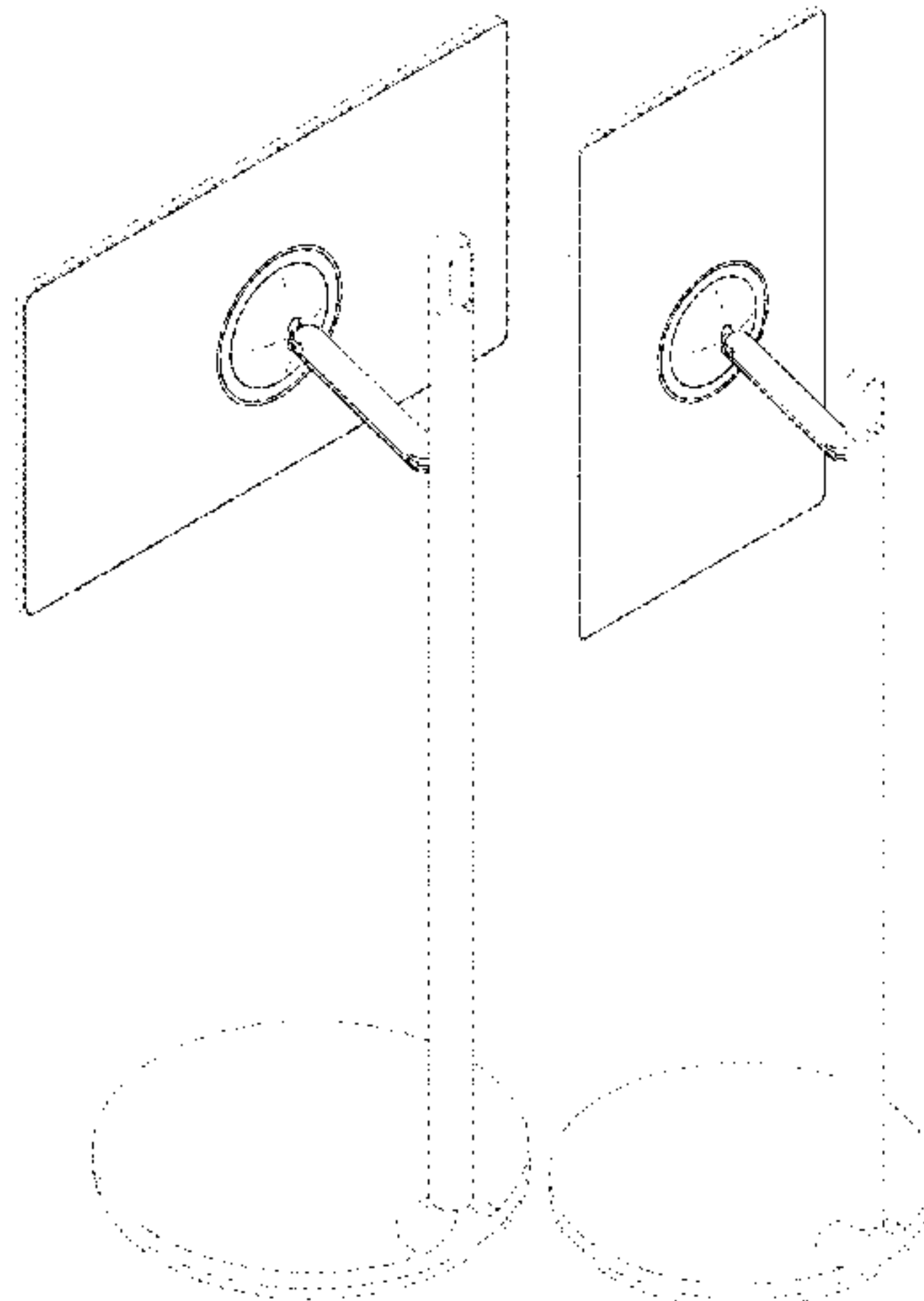
(57) **CLAIM**

The ornamental design for a television receiver, as shown and described.

DESCRIPTION

1. Television receiver
- 1.1 : Front Perspective view shown in the first position
- 1.2 : Rear Perspective view shown in the first position
- 1.3 : Front view shown in the first position
- 1.4 : Rear view shown in the first position
- 1.5 : Left view shown in the first position
- 1.6 : Right view shown in the first position
- 1.7 : Top view shown in the first position
- 1.8 : Bottom view shown in the first position
- 1.9 : Front perspective view shown in the second position
- 1.10 : Rear perspective view shown in the second position
- 1.11 : Front view shown in the second position
- 1.12 : Rear view shown in the second position
- 1.13 : Left view shown in the second position
- 1.14 : Right view shown in the second position
- 1.15 : Top view shown in the second position
- 1.16 : Bottom view shown in the second position
- 1.17 : Front view shown with a rotating display panel
- 1.18 : Front perspective view shown in the third position
- 1.19 : Rear perspective view shown in the third position
- 1.20 : Front view shown in the third position
- 1.21 : Rear view shown in the third position
- 1.22 : Left view shown in the third position
- 1.23 : Right view shown in the third position
- 1.24 : Top view shown in the third position
- 1.25 : Bottom view shown in the third position
- 1.26 : Top view shown with a rotating display panel

(Continued)



1.27 : Rear perspective view shown in the fourth position
 1.28 : Second rear perspective view shown in the fourth position
 1.29 : Right view shown in the fourth position
 1.30 : Left view shown in the fourth position
 1.31 : Front view shown in the fourth position
 1.32 : Rear view shown in the fourth position
 1.33 : Top view shown in the fourth position
 1.34 : Bottom view shown in the fourth position
 1.35 : Right view shown with a lifted display
 1.36 : Rear perspective view shown in the fifth position
 1.37 : Second rear perspective view shown in the fifth position
 1.38 : Right view shown in the fifth position
 1.39 : Left view shown in the fifth position
 1.40 : Front view shown in the fifth position
 1.41 : Rear view shown in the fifth position
 1.42 : Top view shown in the fifth position
 1.43 : Bottom view shown in the fifth position
 The subject design features a dual hinge between the display panel and the stand that allows the display panel and the stand to move up and down, rotate and lift; the broken lines indicate portions of the article that form no part of the claimed design; reproduction 1.1 to 1.8 show the television in the first position; reproduction 1.9 to 1.16 show the television in the second position; reproduction 1.18 to 1.25 show the television in the third position; reproduction 1.27 to 1.34 show the television in the fourth position; reproduction 1.36 to 1.43 show the television in the fifth position; reproduction 1.17 is a reference view showing the status of rotating display panel; reproduction 1.26 is a reference view showing the status of rotating display panel; reproduction 1.35 is a reference view showing the status of lifting display panel.

1 Claim, 43 Drawing Sheets

(58) **Field of Classification Search**

CPC G06F 1/1601; G06F 1/1605; G06F 1/162
 See application file for complete search history.

(56) **References Cited**

U.S. PATENT DOCUMENTS

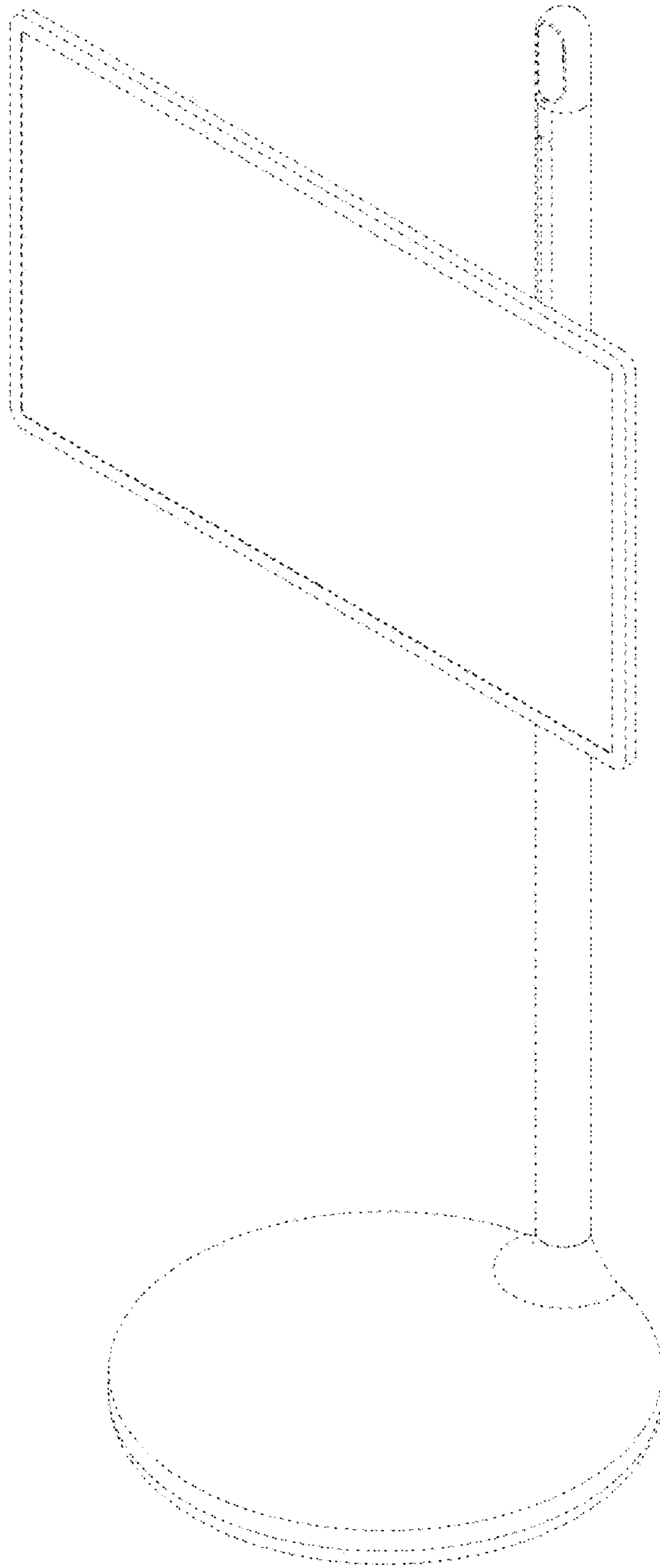
D595,512	S	*	7/2009	Chen	D14/371
D597,975	S	*	8/2009	Ohno	D14/129
D626,101	S	*	10/2010	Kim	D14/126
D644,223	S	*	8/2011	Maupin	D14/371
D661,673	S	*	6/2012	Chiu	D14/126
D671,083	S	*	11/2012	Kim	D14/126
D712,367	S	*	9/2014	Park	D14/126
D734,280	S	*	7/2015	Choi	D14/126
D739,464	S	*	9/2015	Liu	D14/374
D780,750	S	*	3/2017	Yu	D14/371
D783,611	S	*	4/2017	Kim	D14/374
D805,492	S	*	12/2017	Ahn	D14/126
D807,847	S	*	1/2018	Ahn	D14/126
D824,354	S	*	7/2018	Kymm	D14/126
D826,887	S	*	8/2018	Kymm	D14/126
D839,248	S	*	1/2019	Hwang	D14/239
D904,992	S	*	12/2020	Kim	D14/125
D925,931	S	*	7/2021	Park	D6/310
D954,669	S	*	6/2022	Kim	D14/126

OTHER PUBLICATIONS

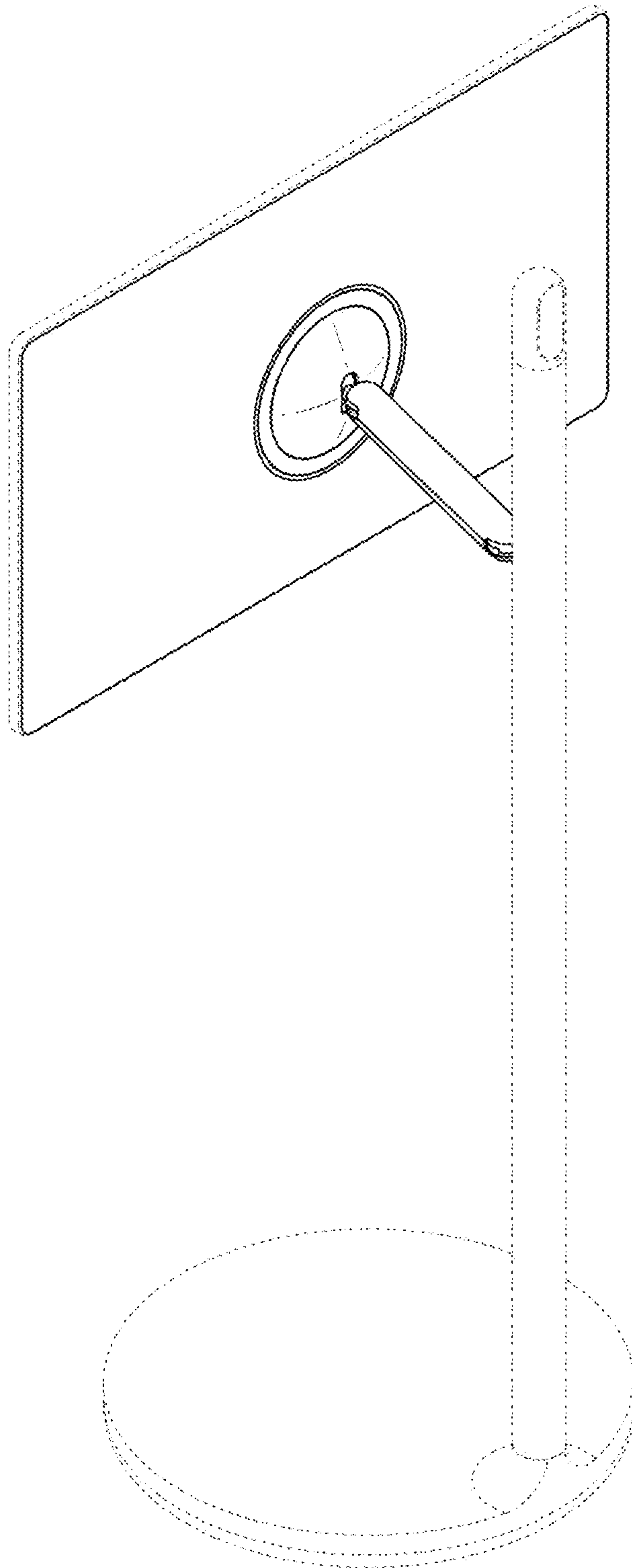
Cavus high end television brushed steel, publication date Apr. 22, 2016, [online] URL: <https://www.amazon.co.uk/Cavus-Fm120-50S-STAND-Stainless/dp/B01ENHQ3XI> (Year: 2016).*

* cited by examiner

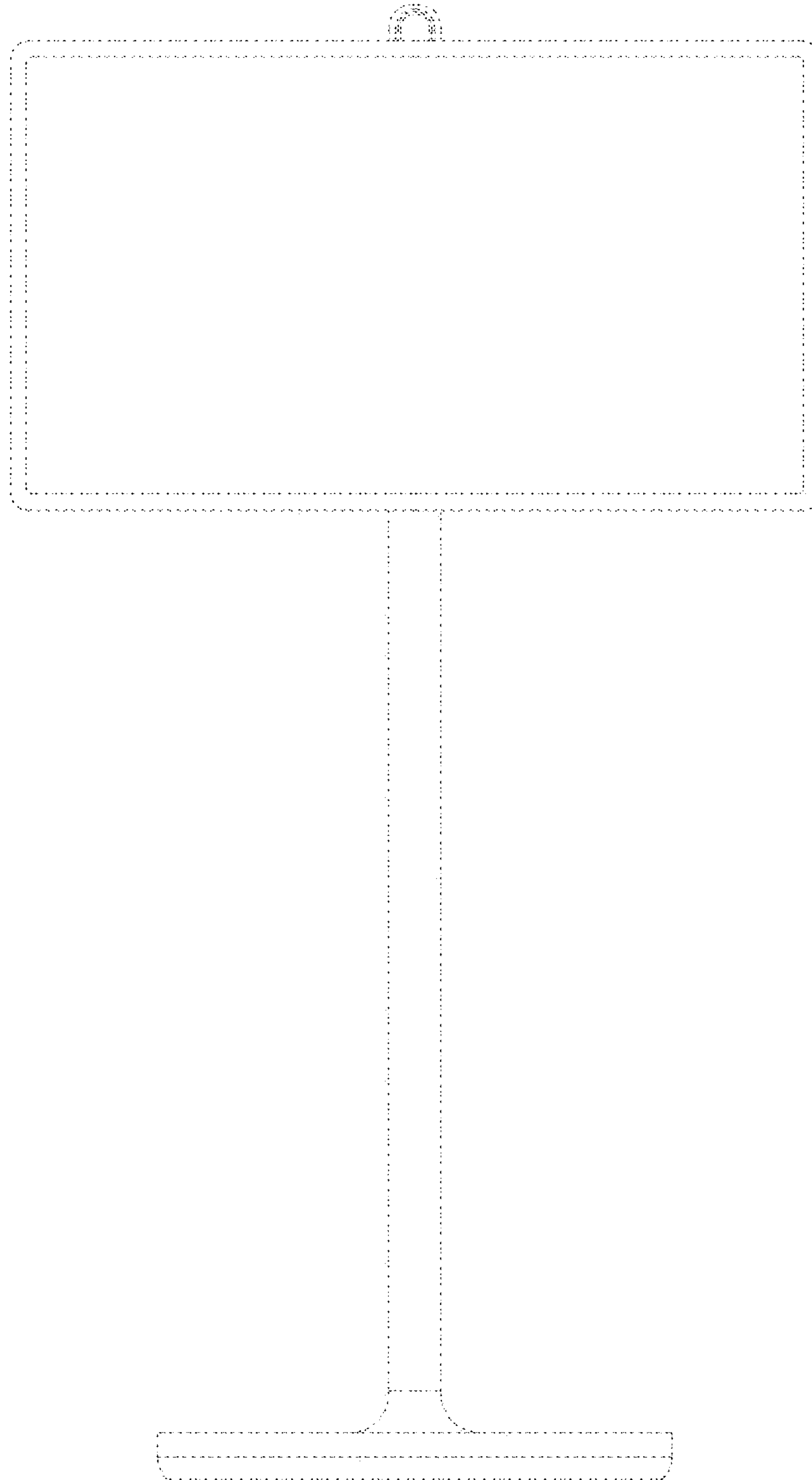
1.1



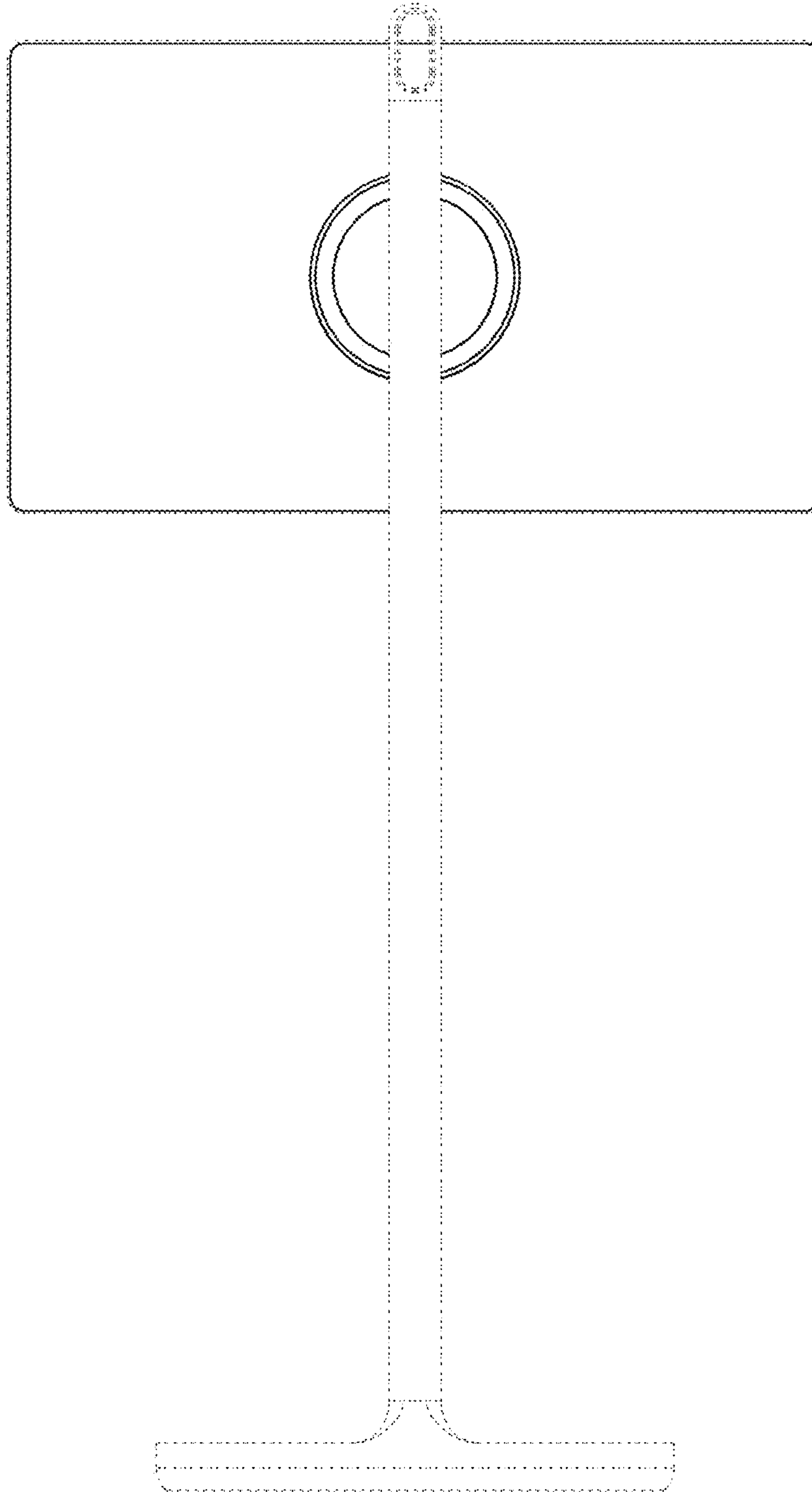
1.2



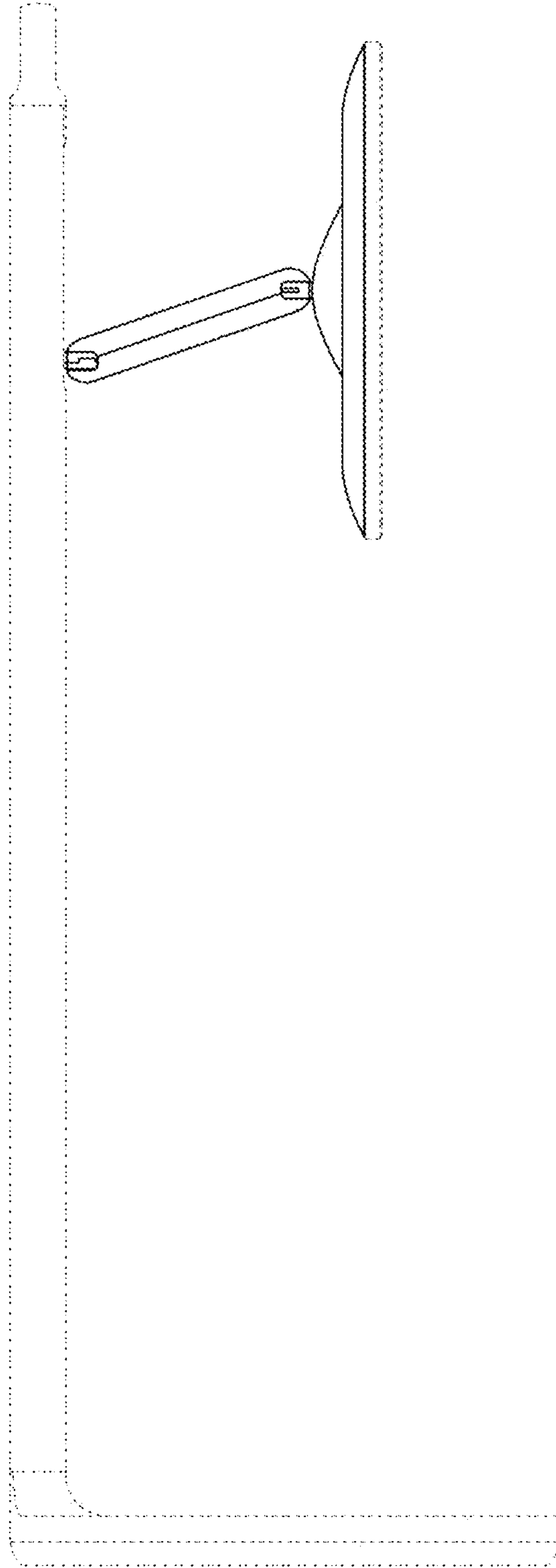
1.3



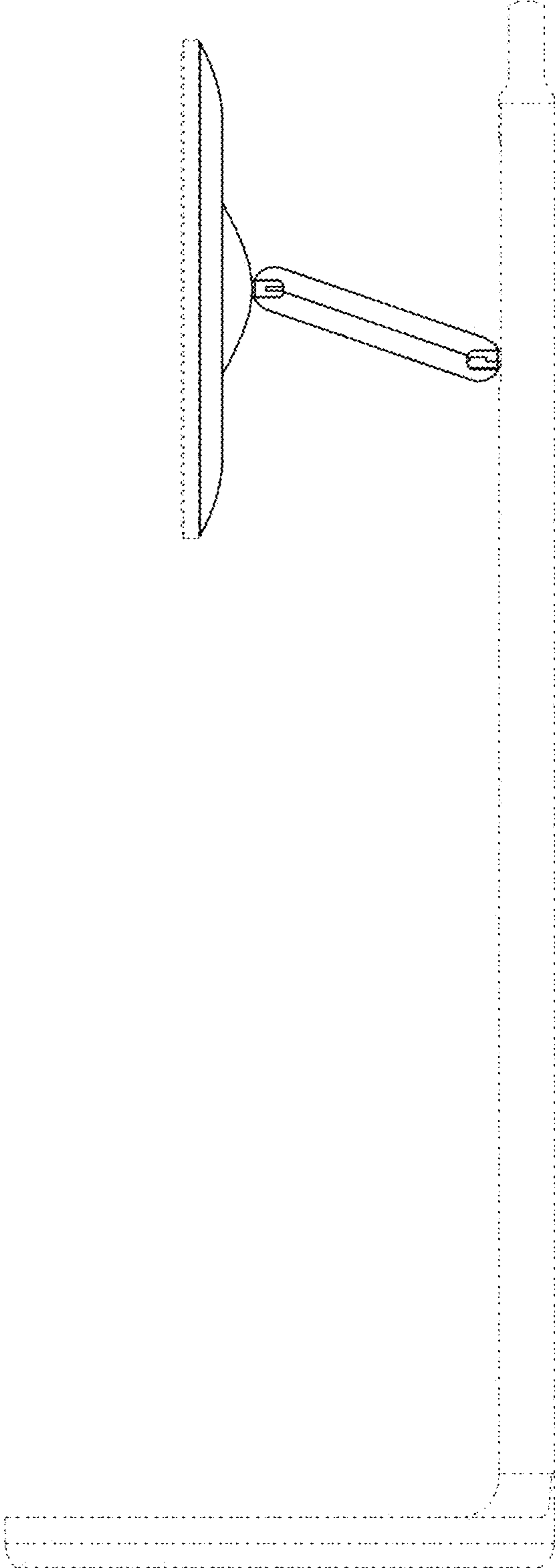
1.4



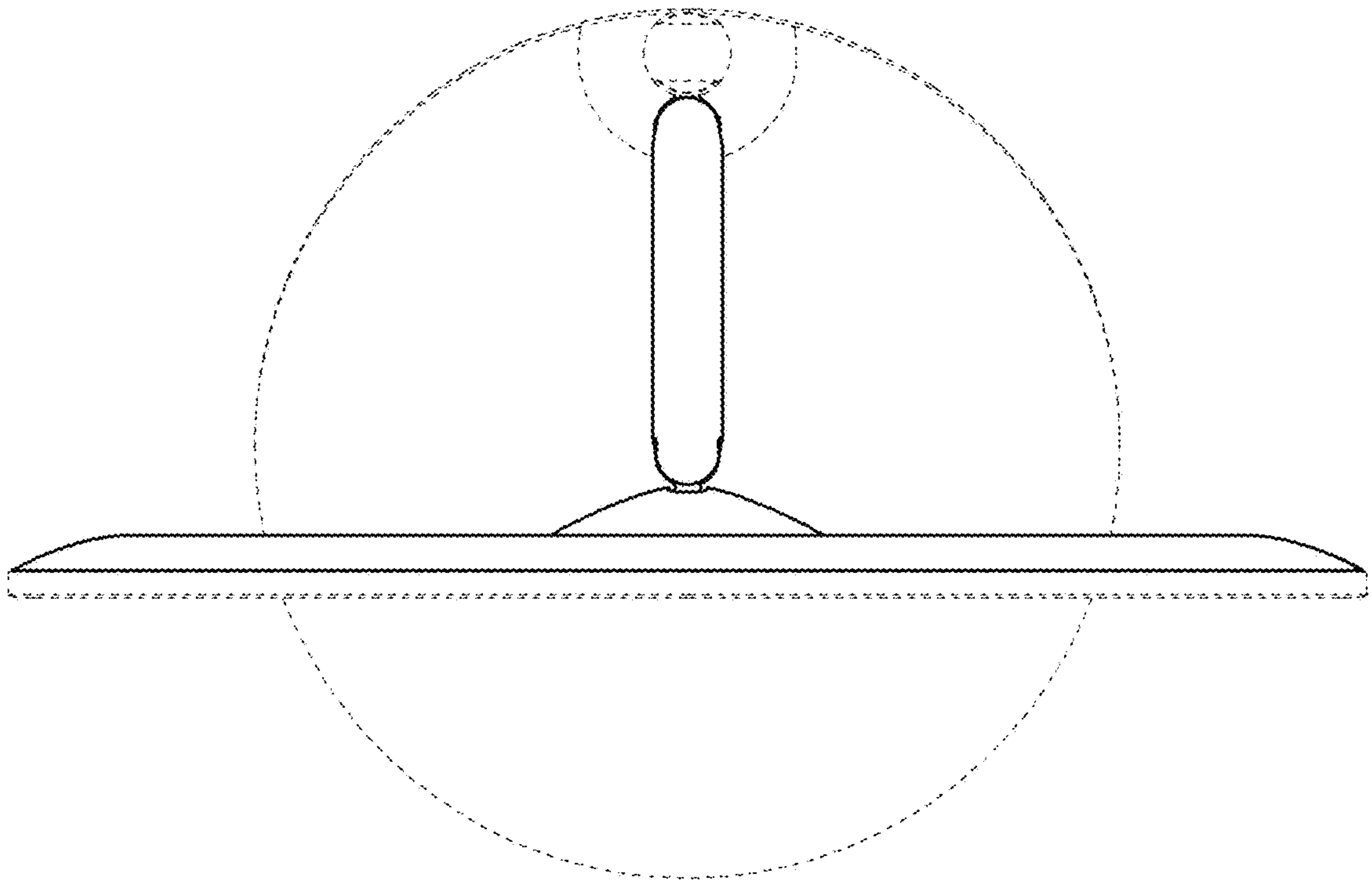
1.5



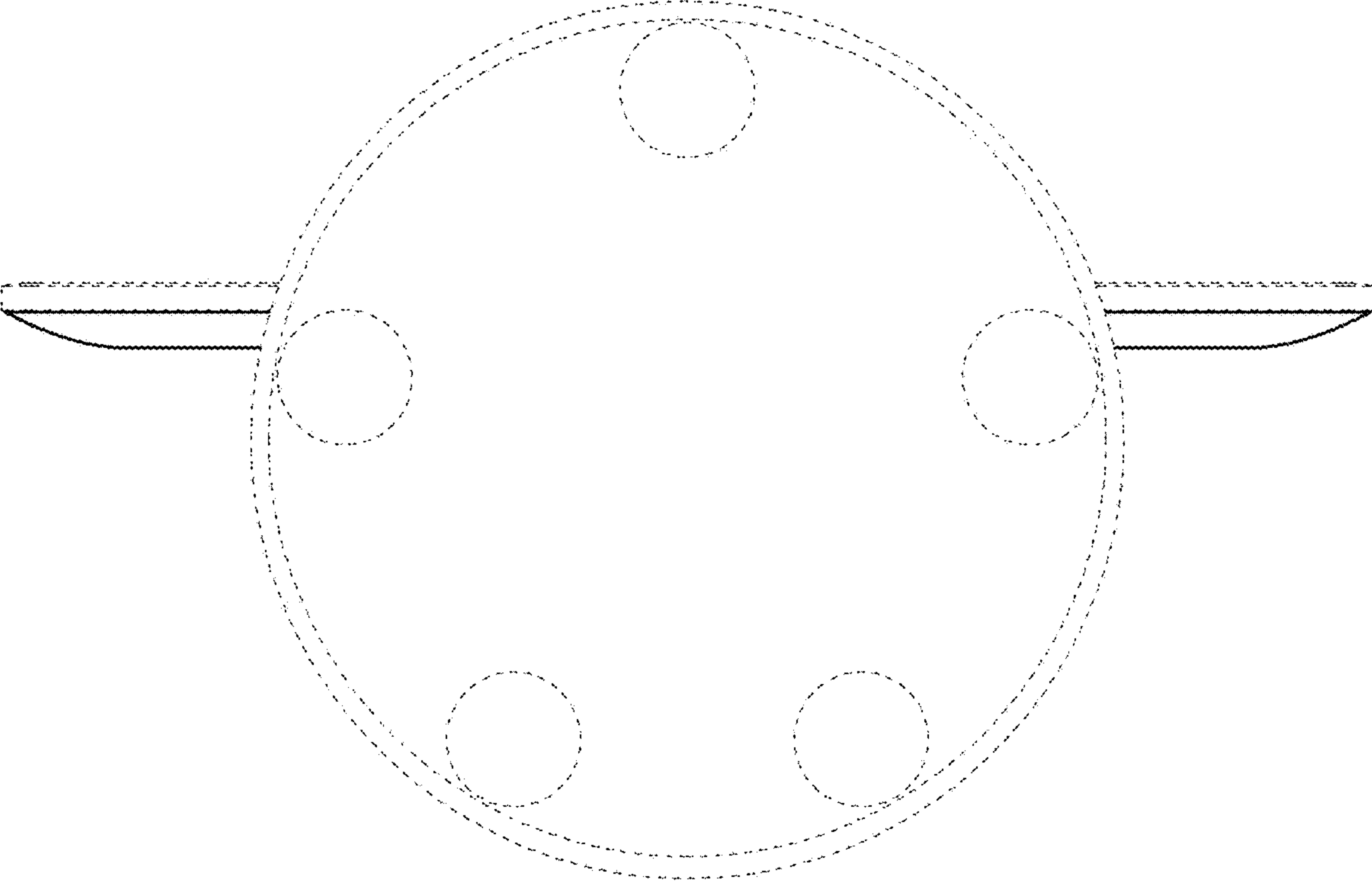
1.6



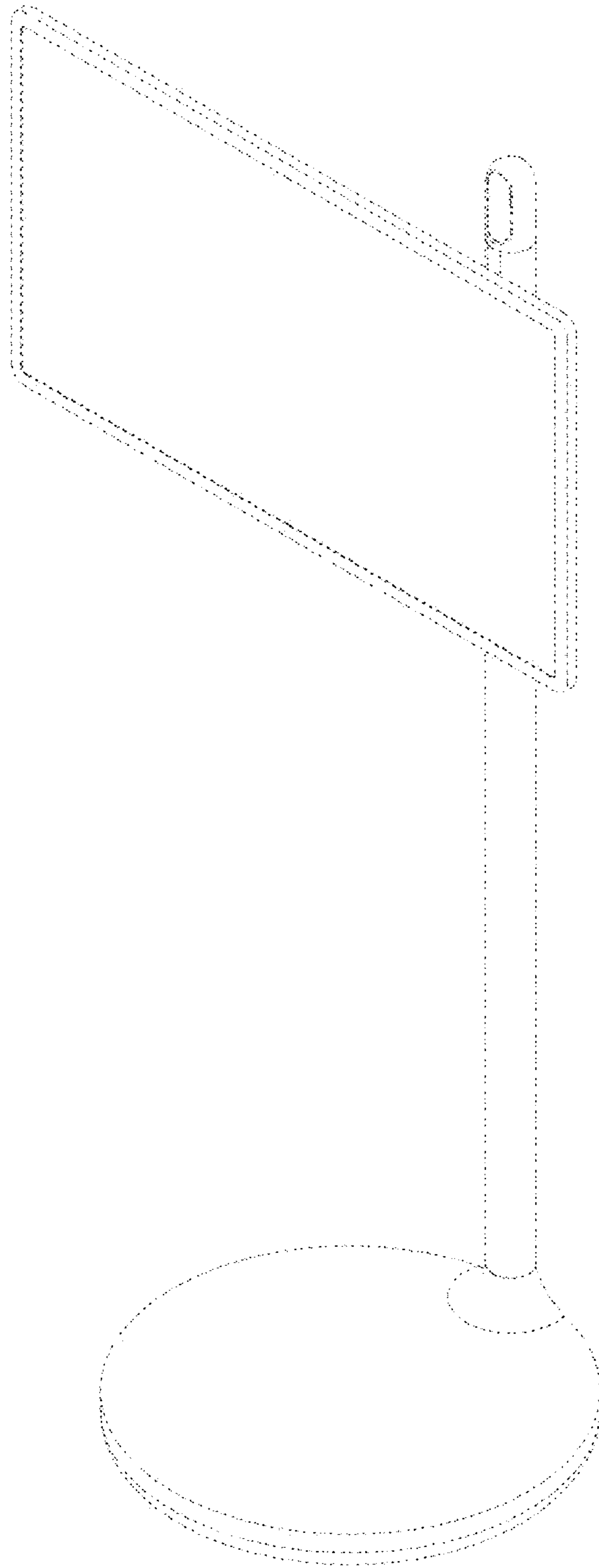
1.7



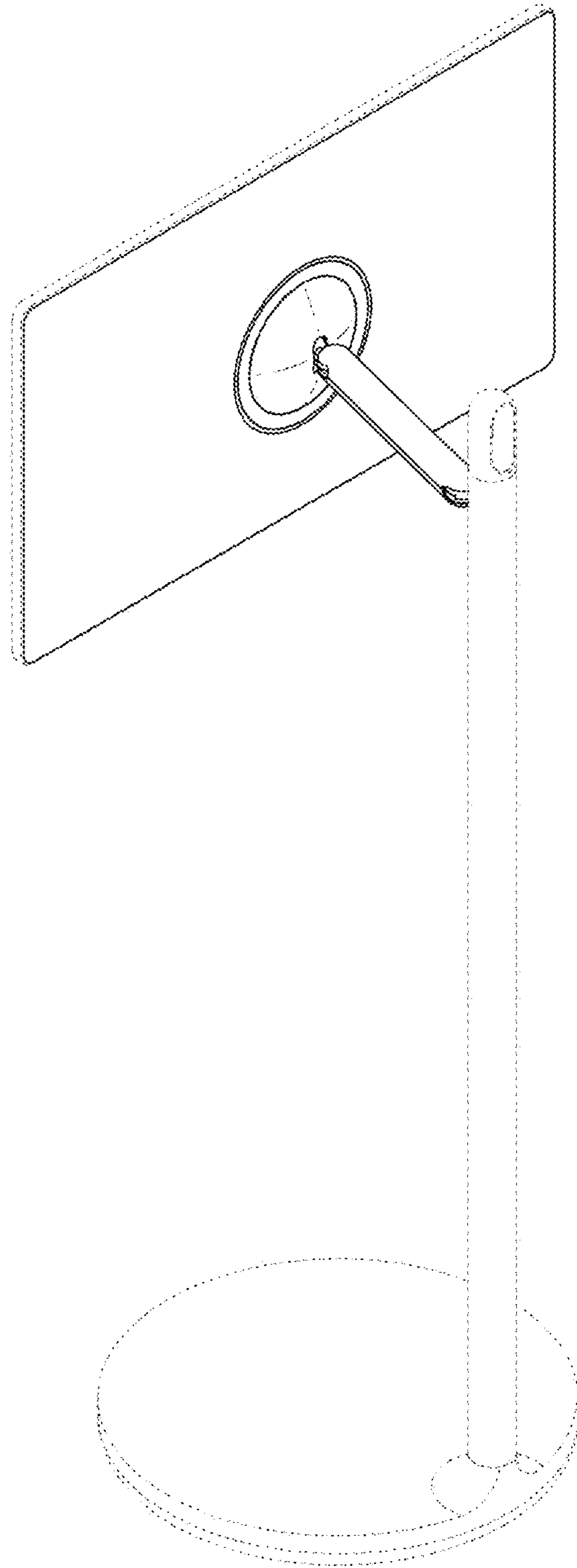
1.8



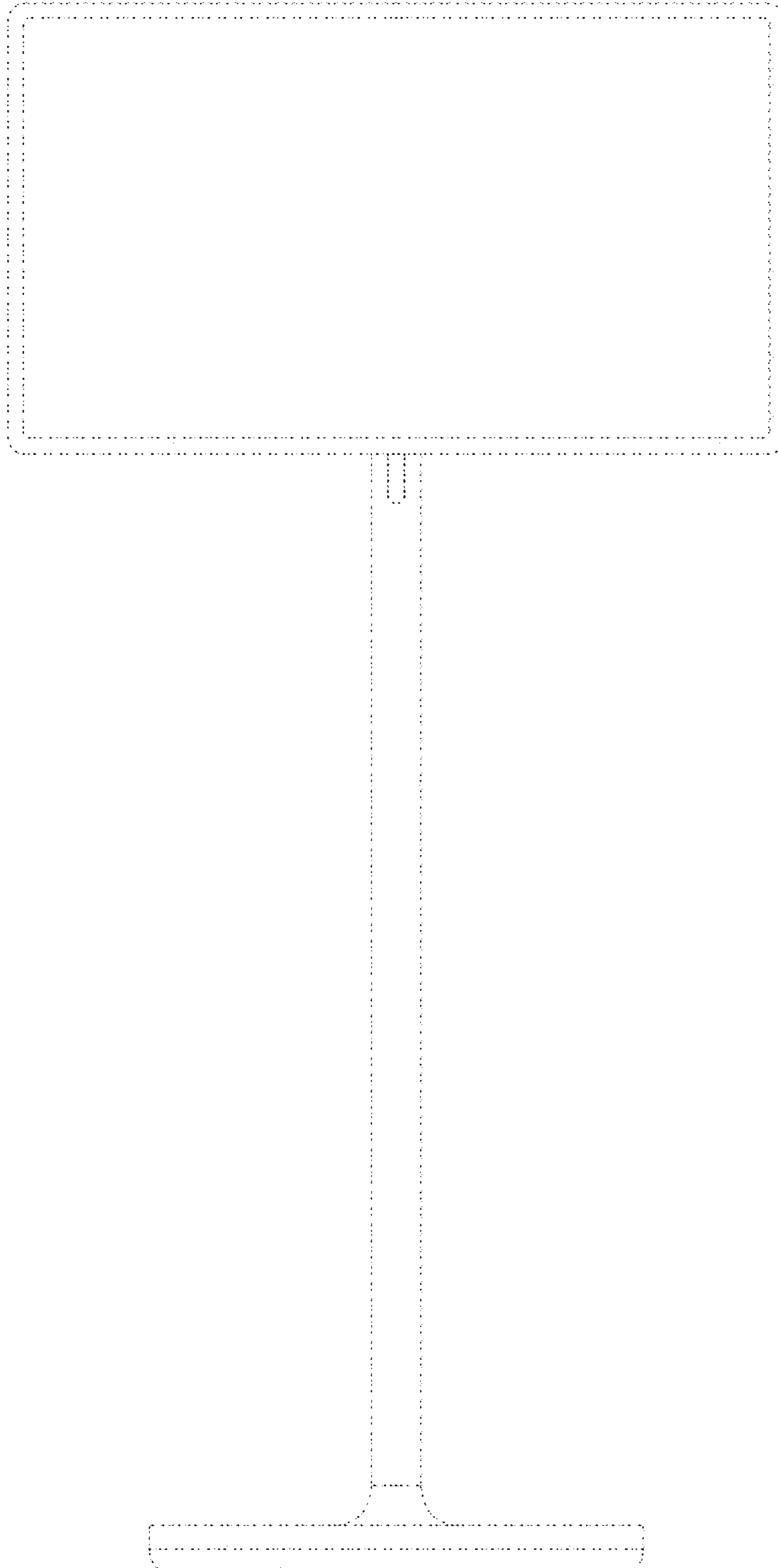
1.9



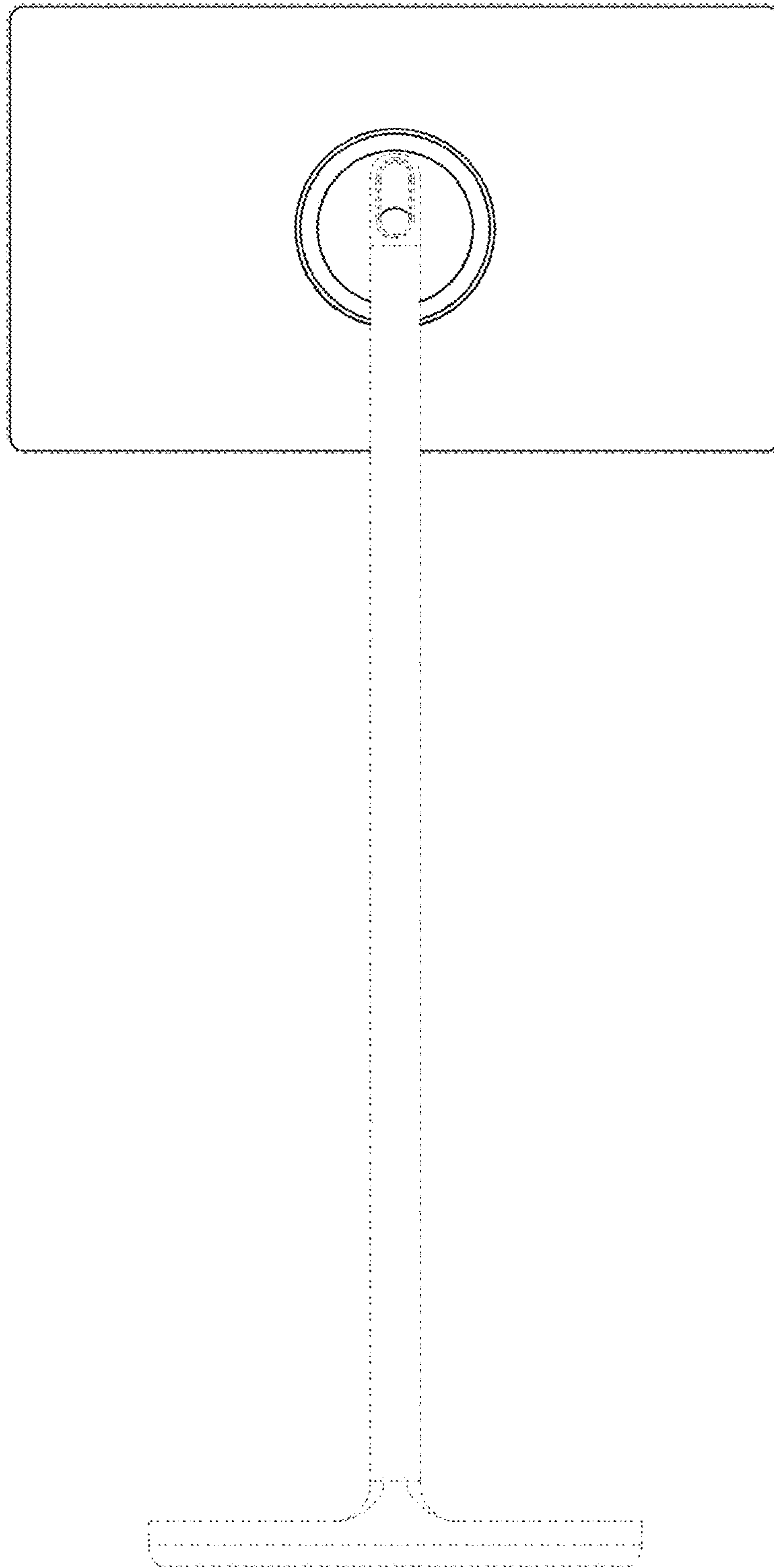
1.10



1.11



1.12



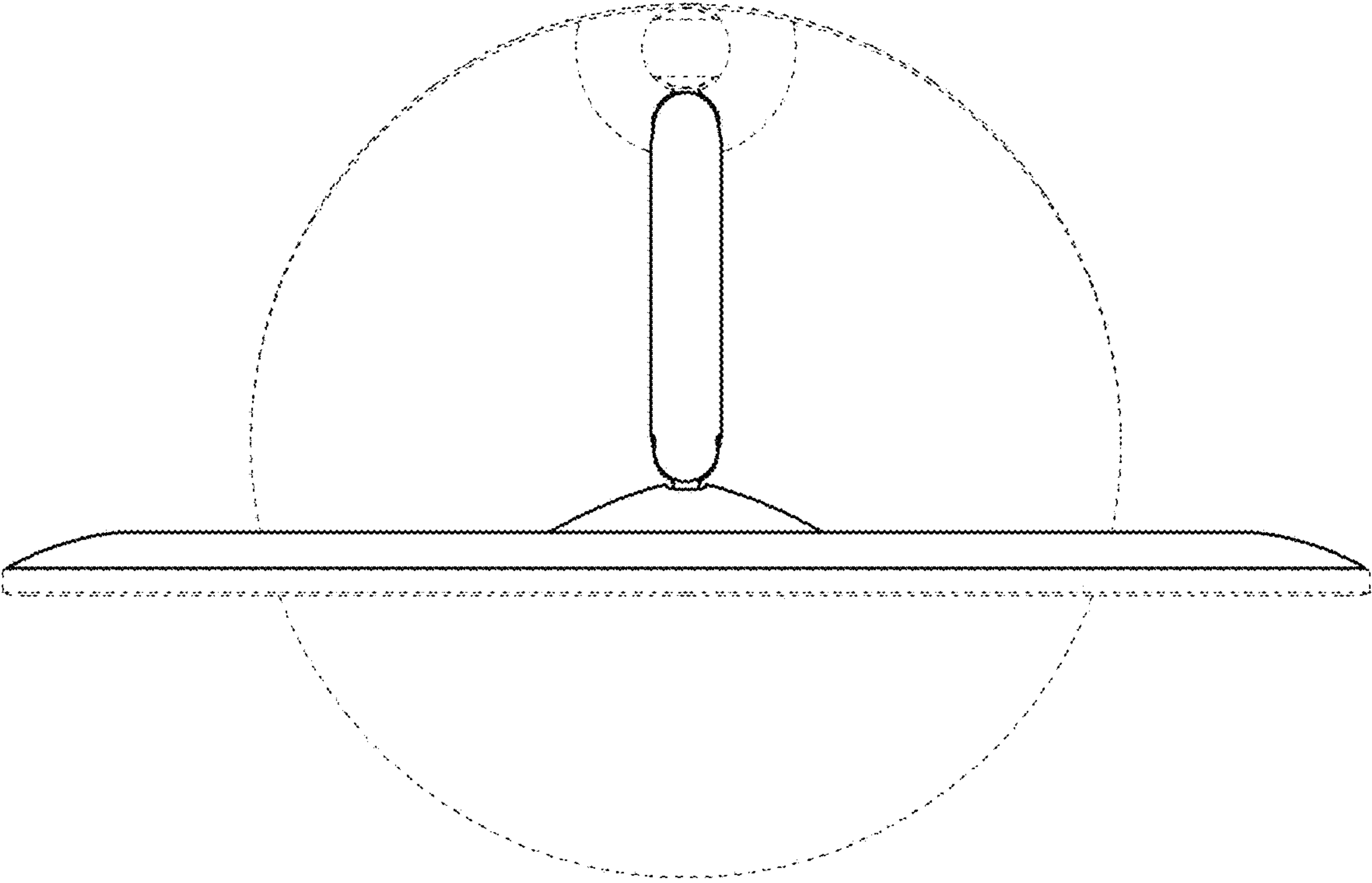
1.13



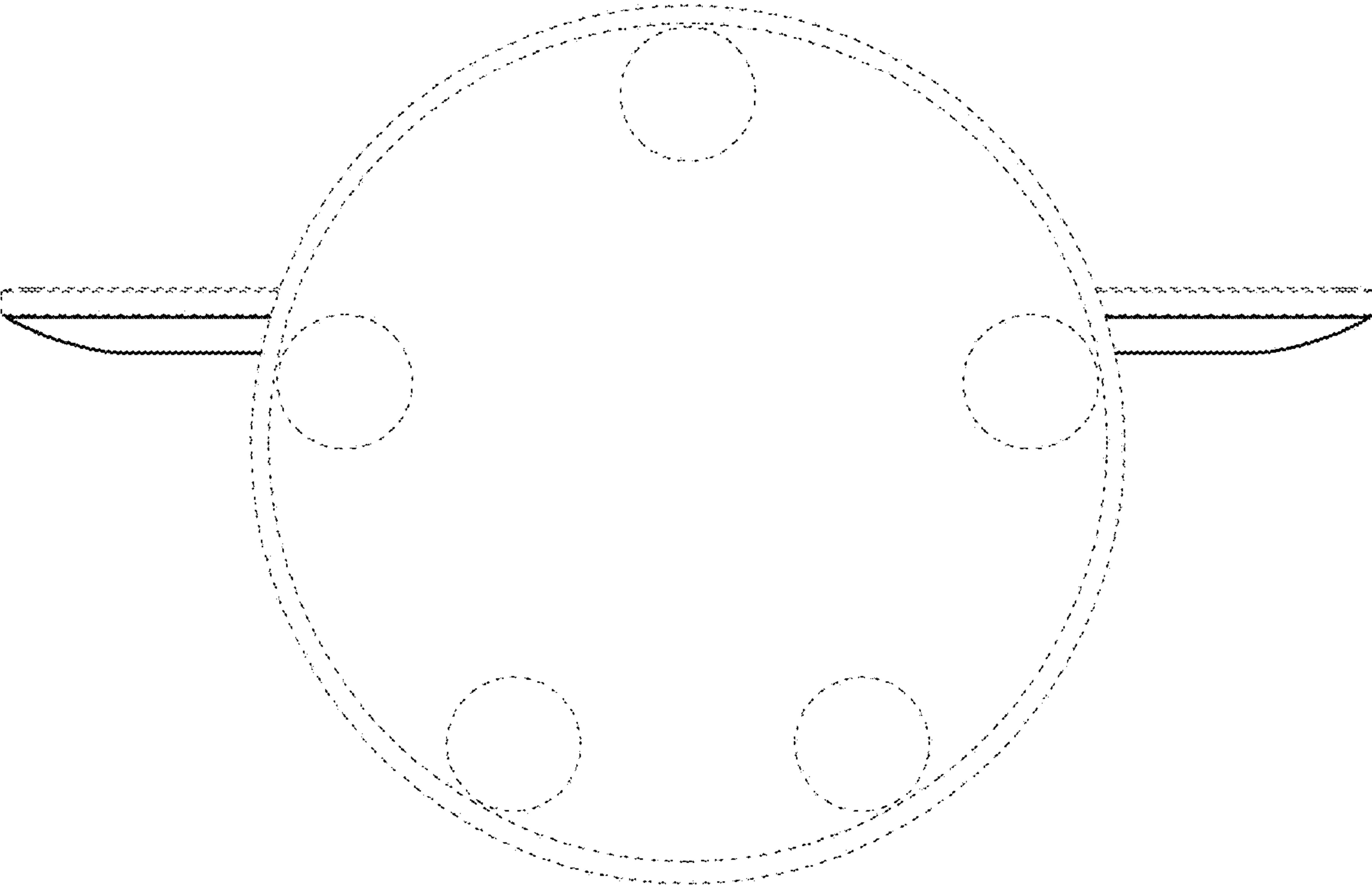
1.14



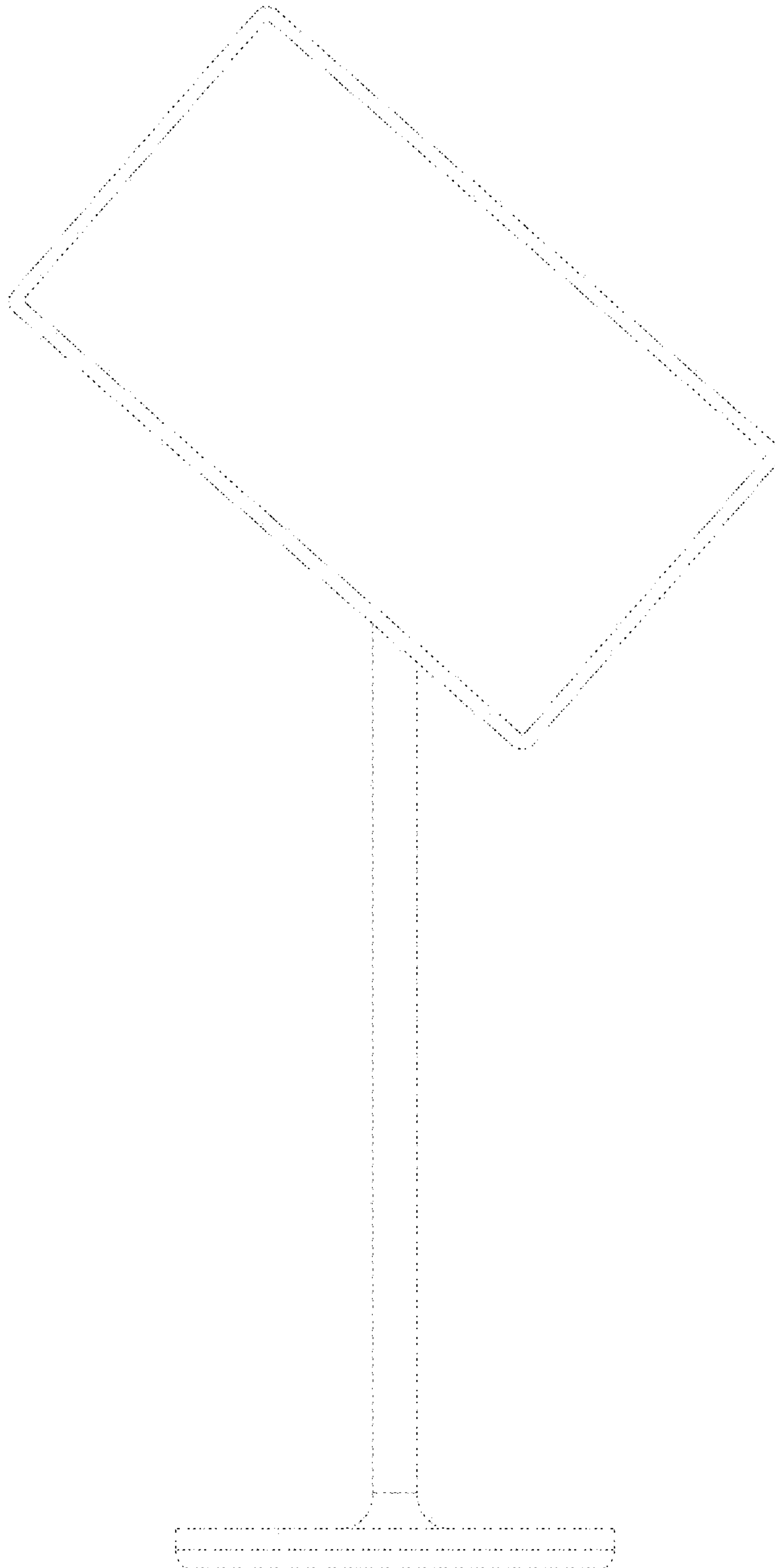
1.15



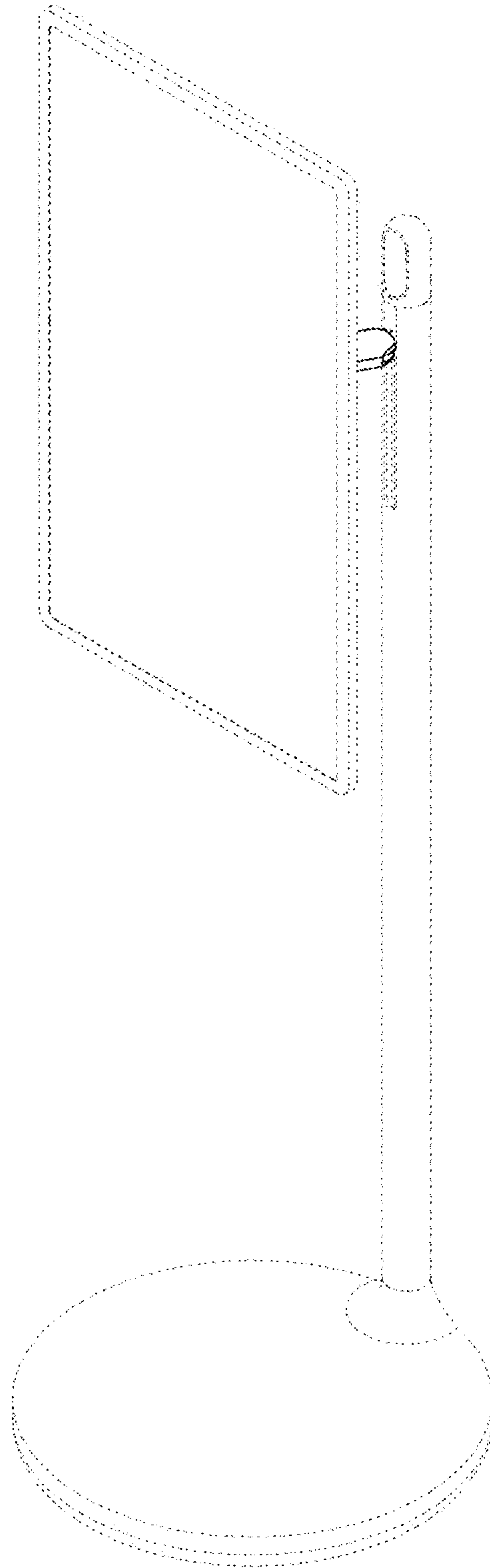
1.16



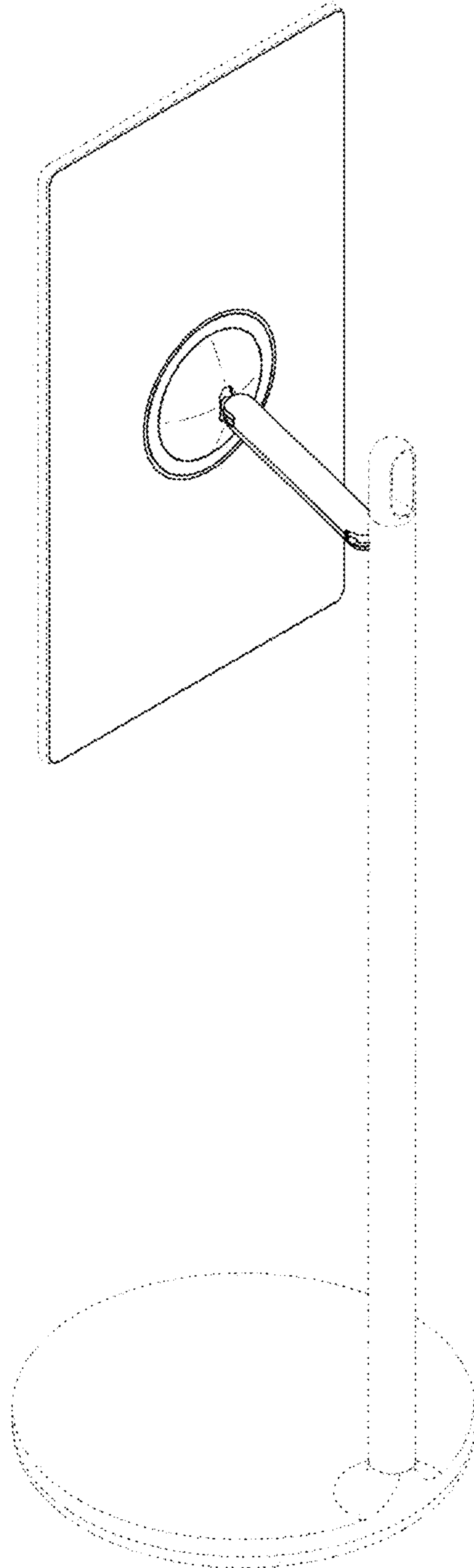
1.17



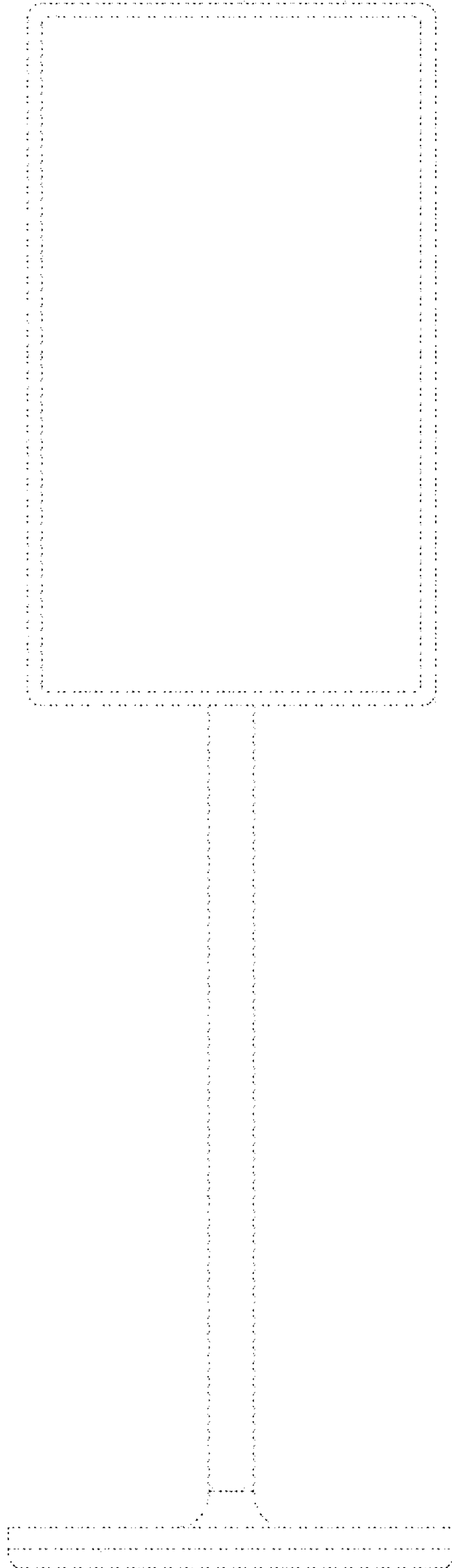
1.18



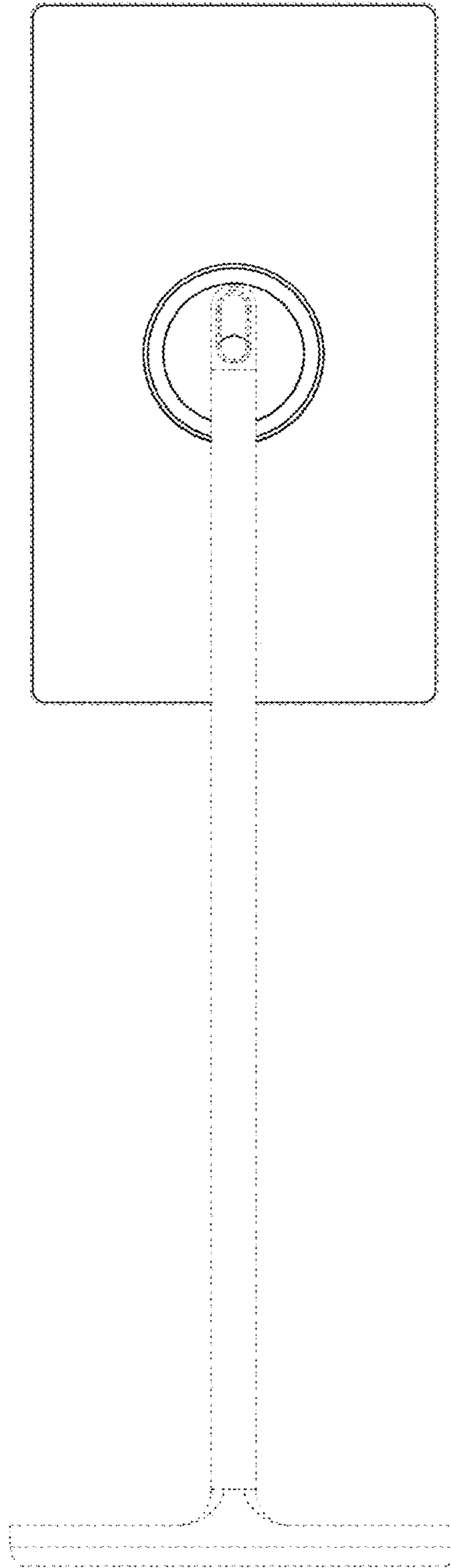
1.19



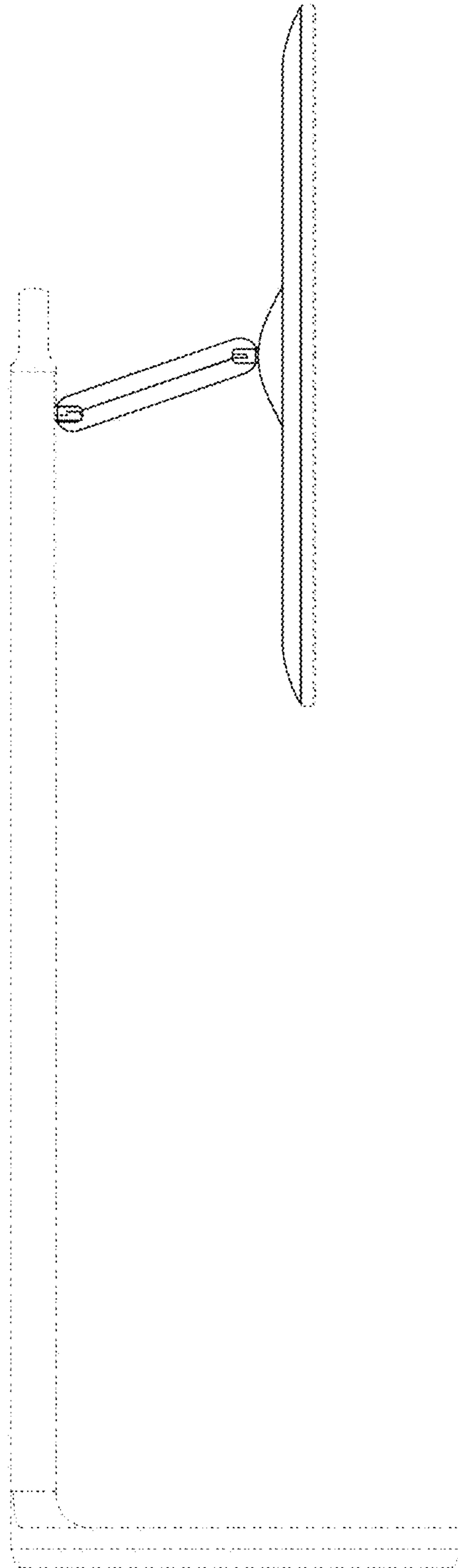
1.20



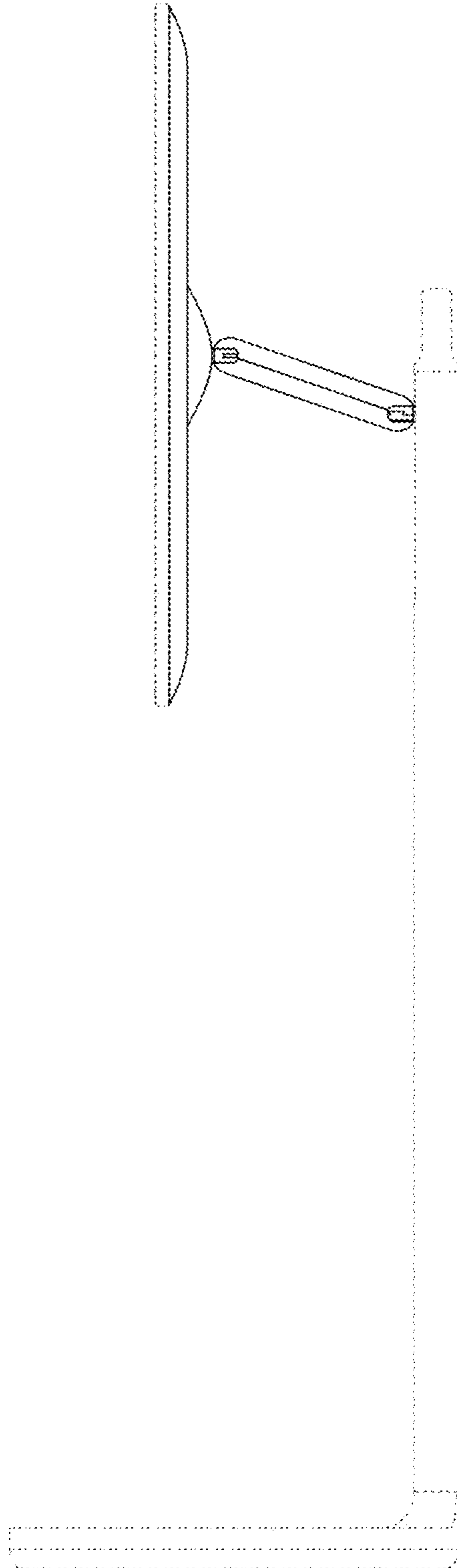
1.21



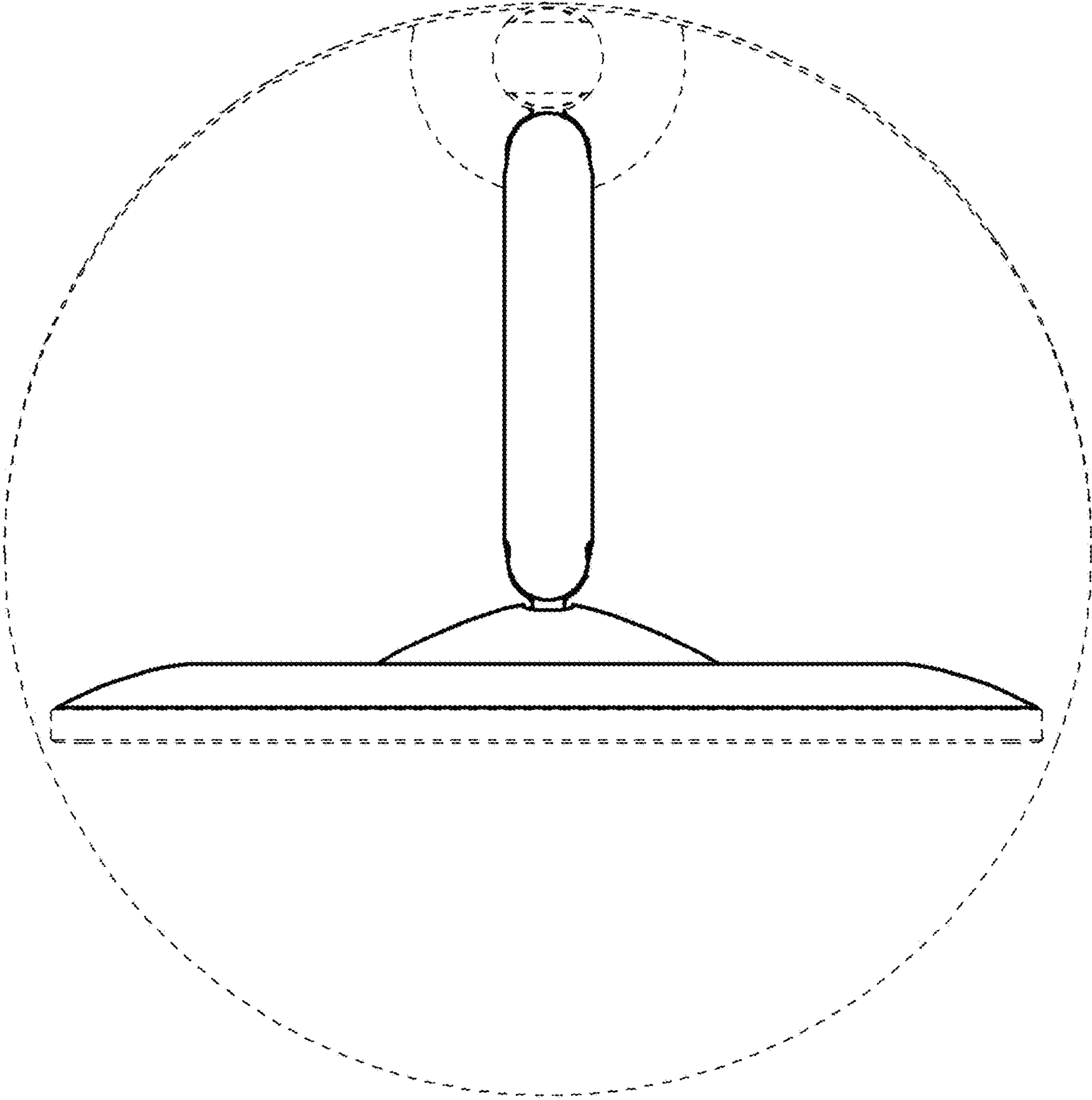
1.22



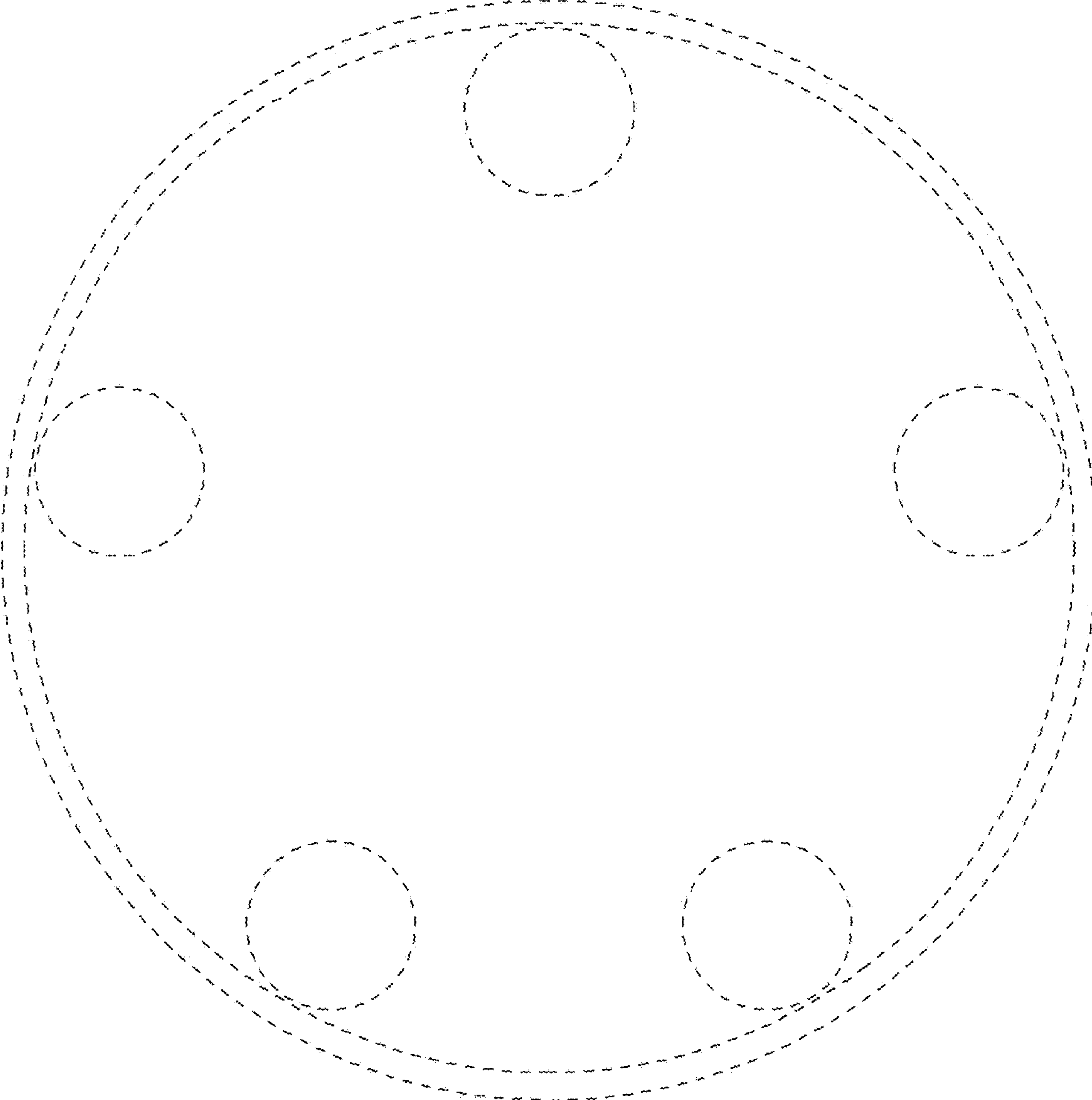
1.23



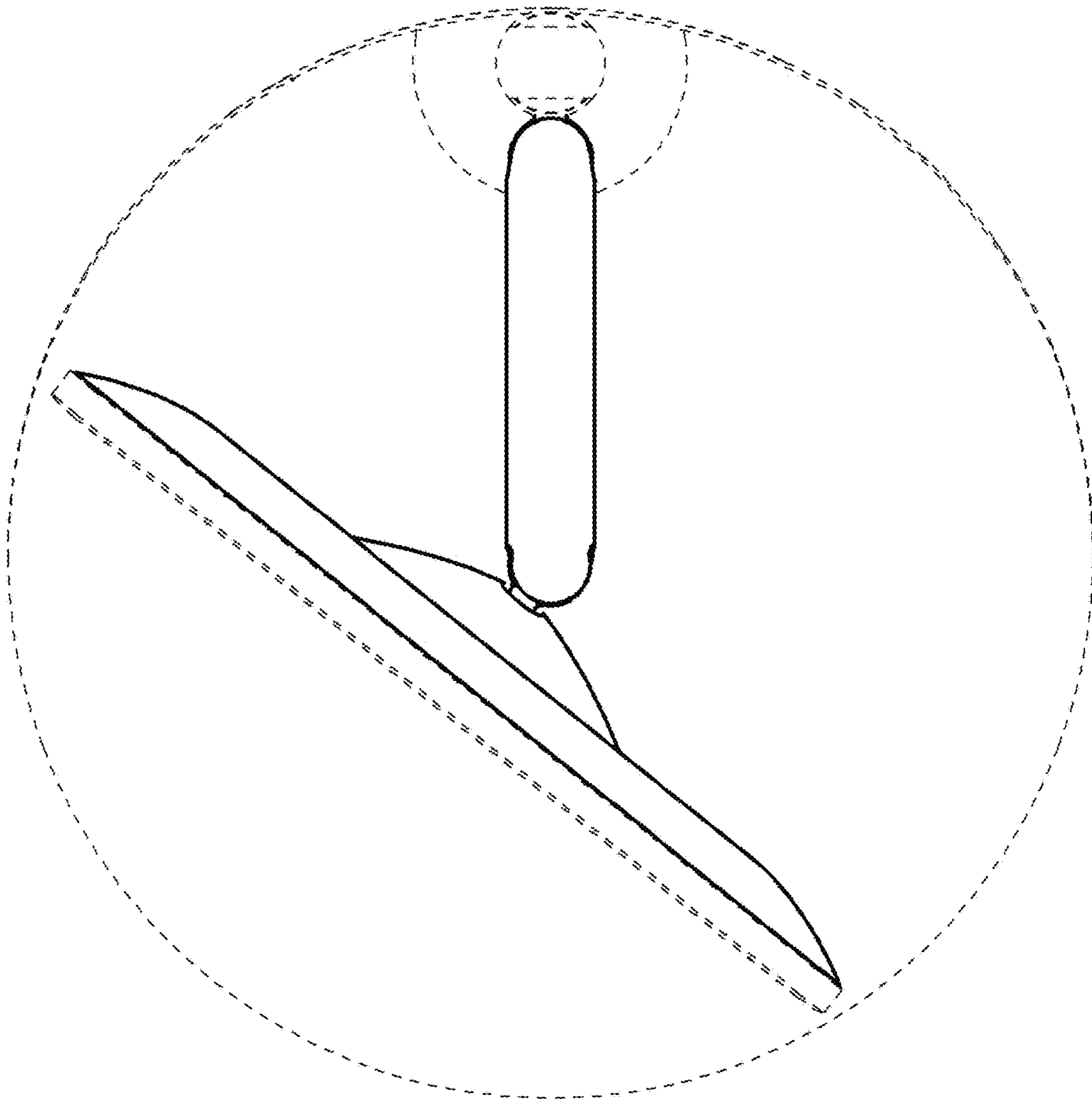
1.24



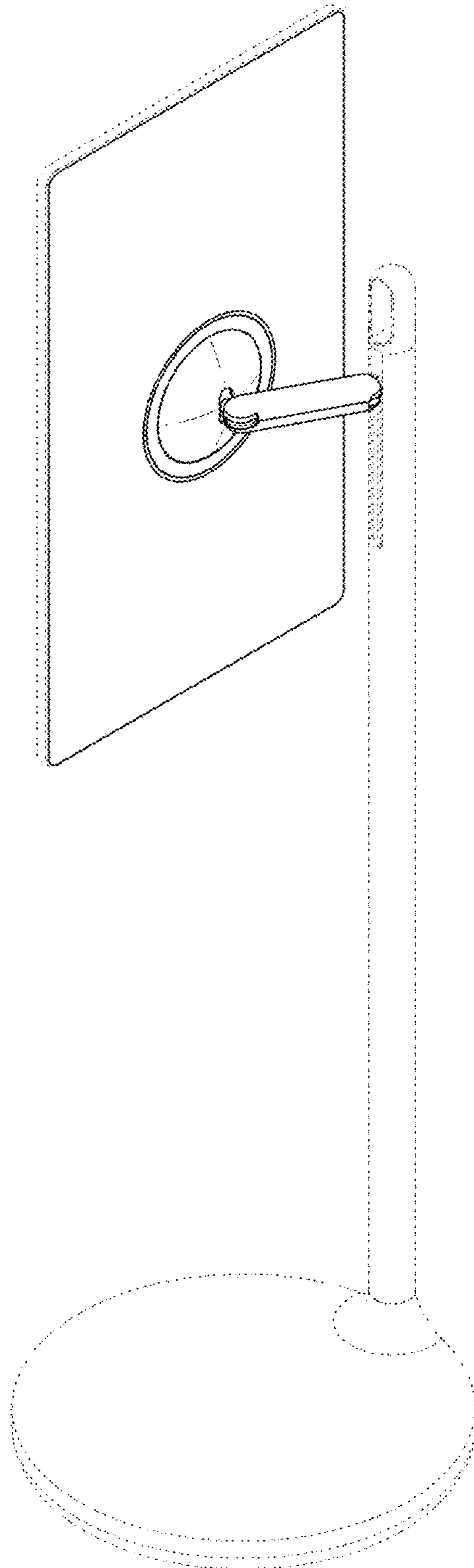
1.25



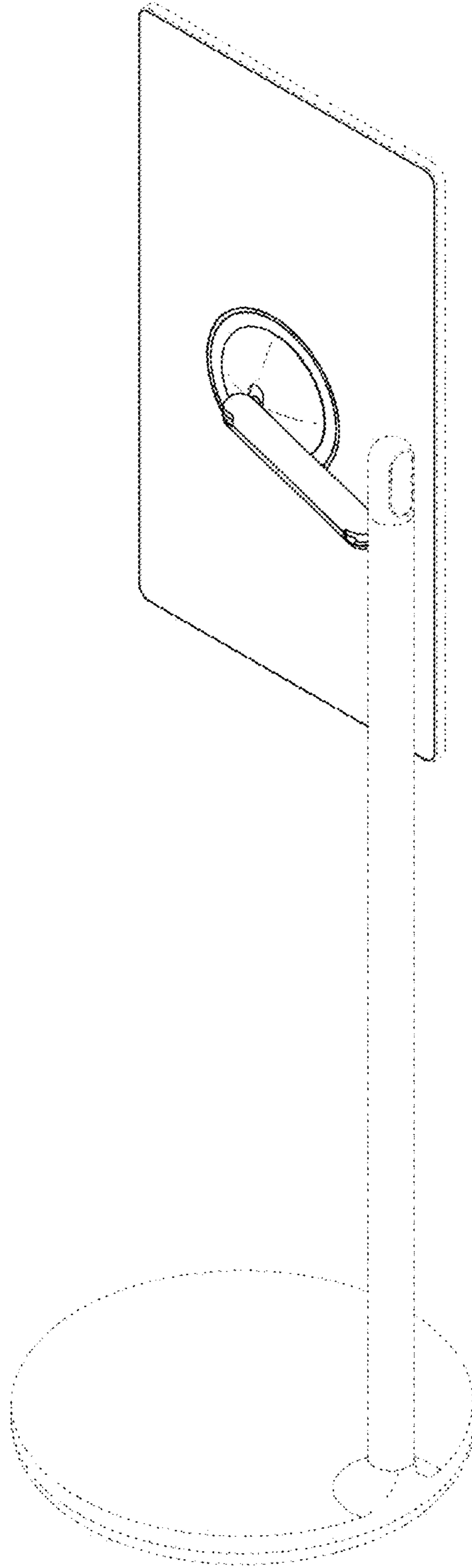
1.26



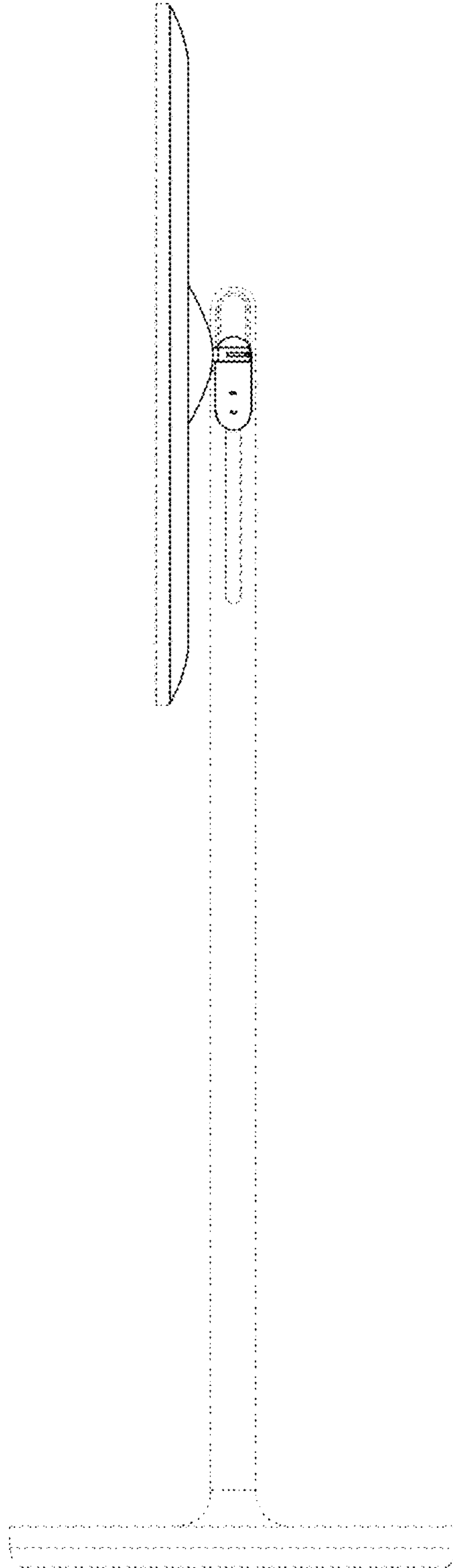
1.27



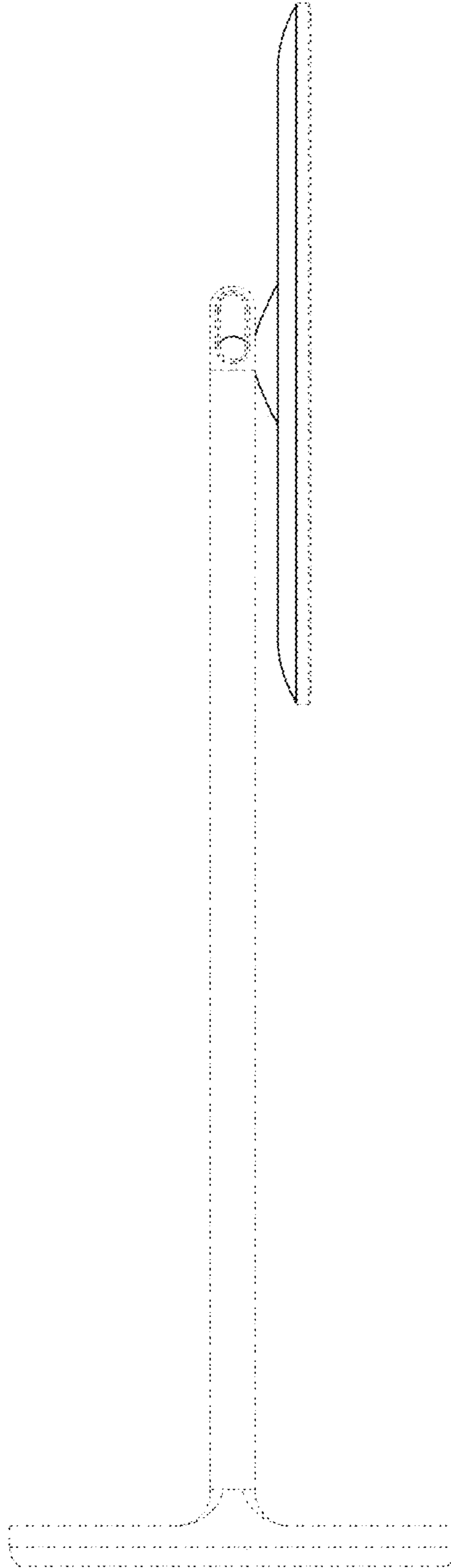
1.28



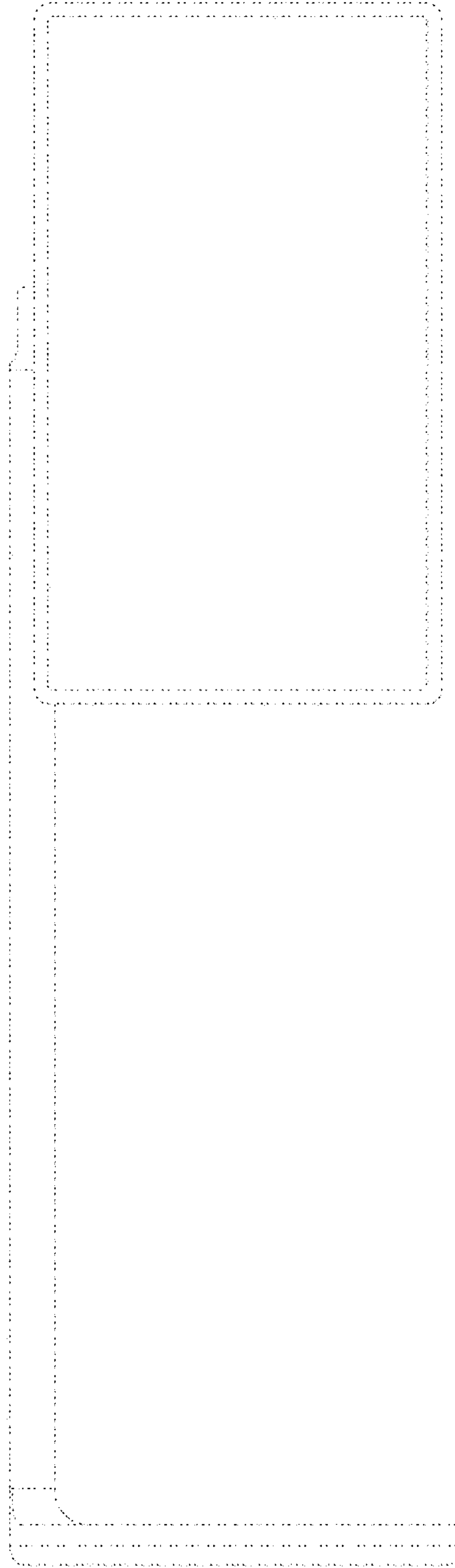
1.29



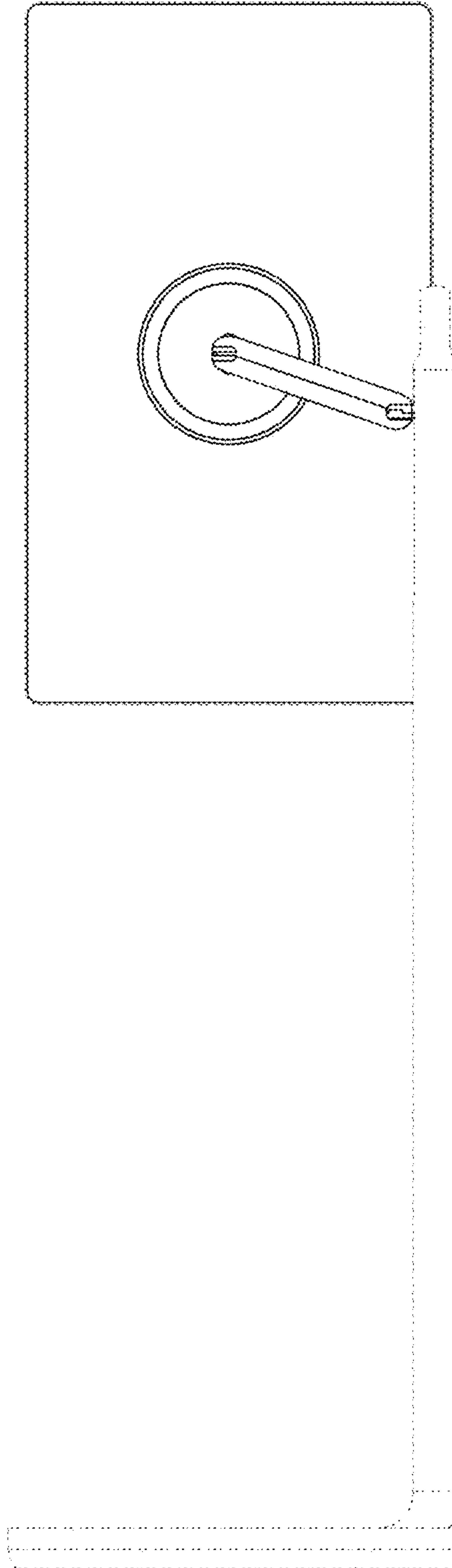
1.30



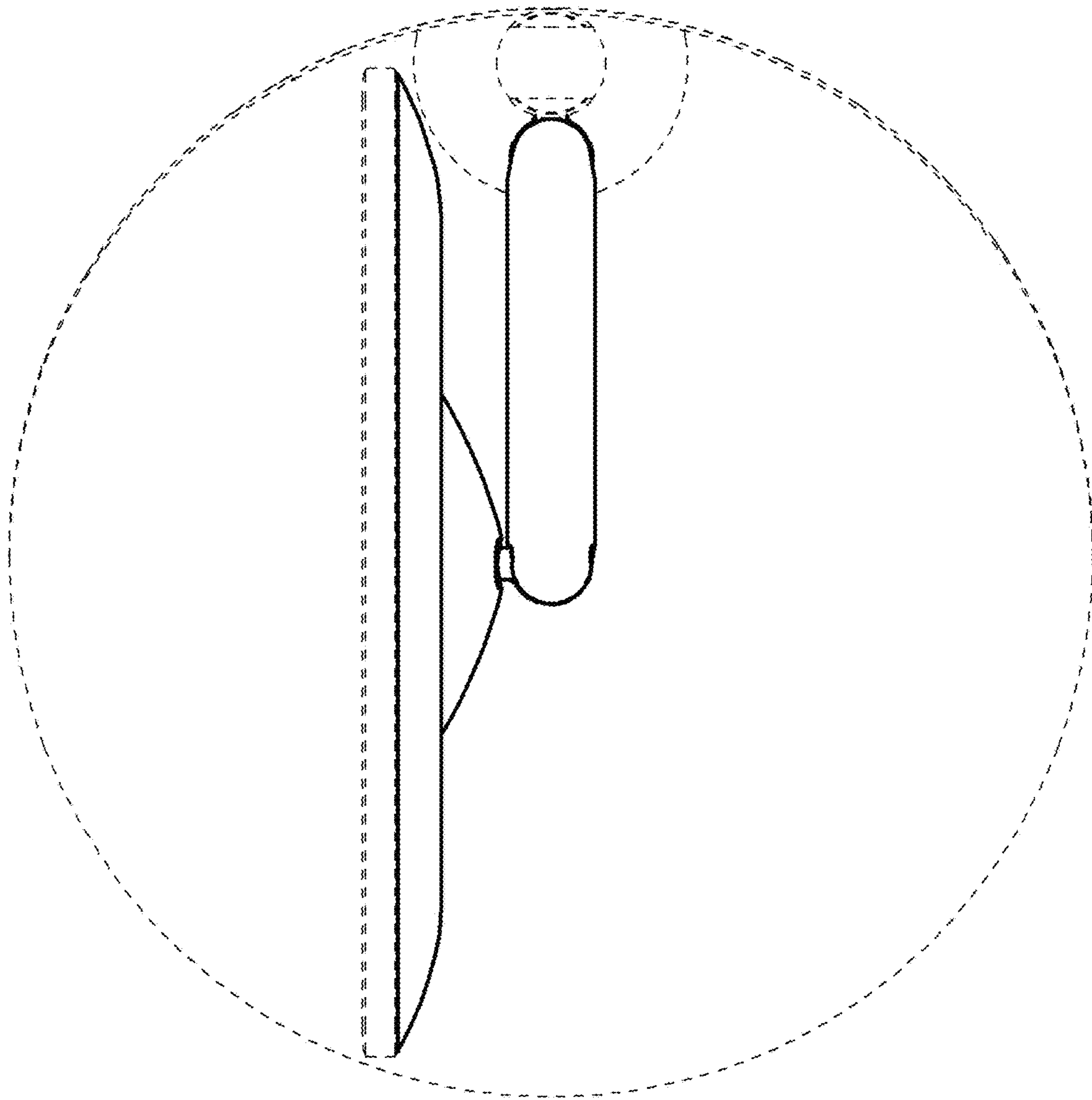
1.31



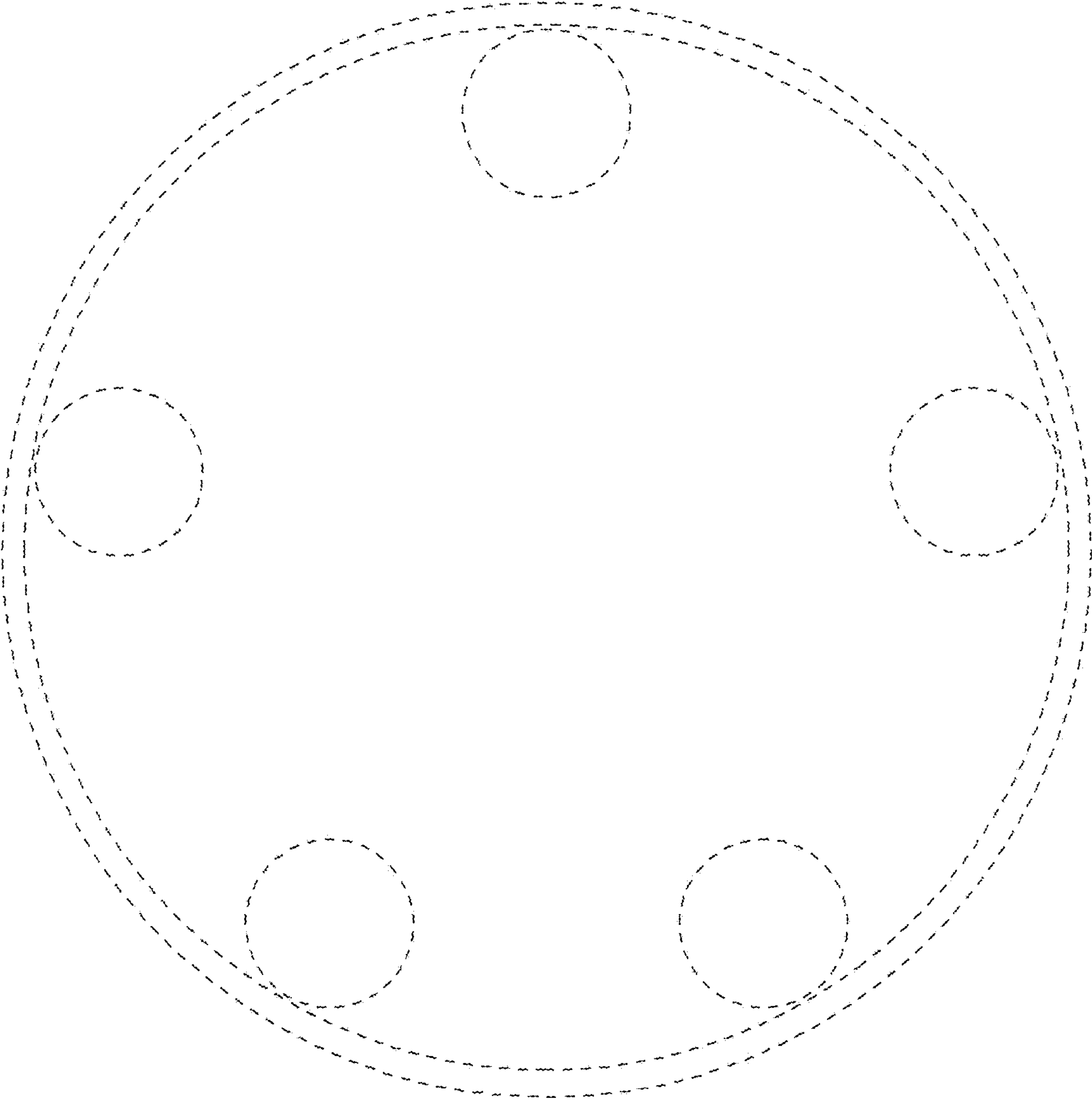
1.32



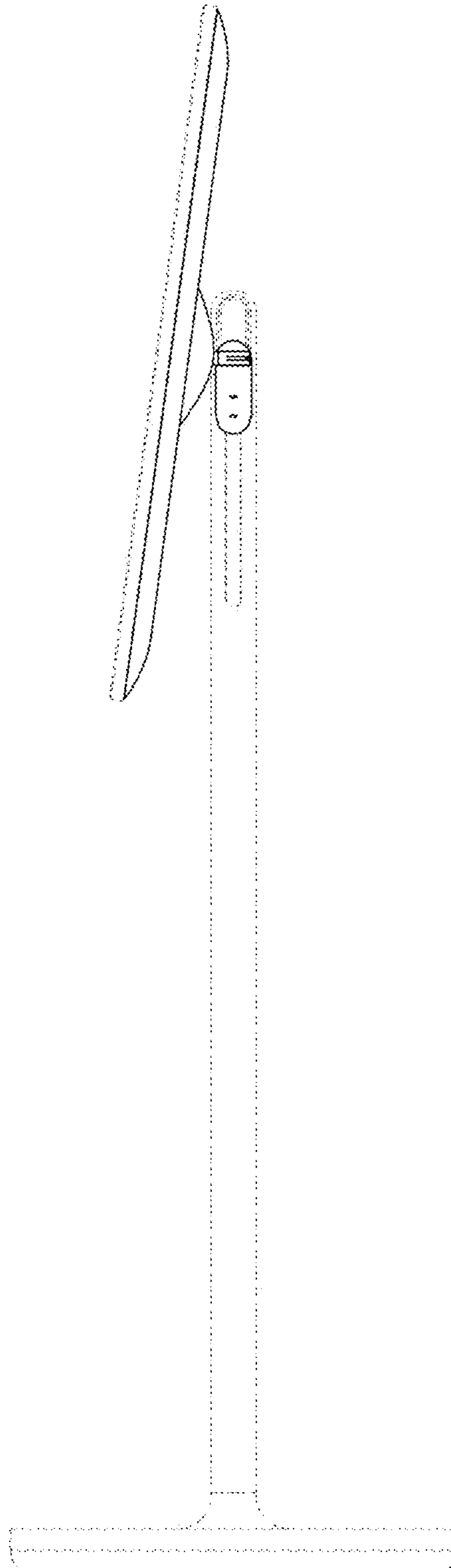
1.33



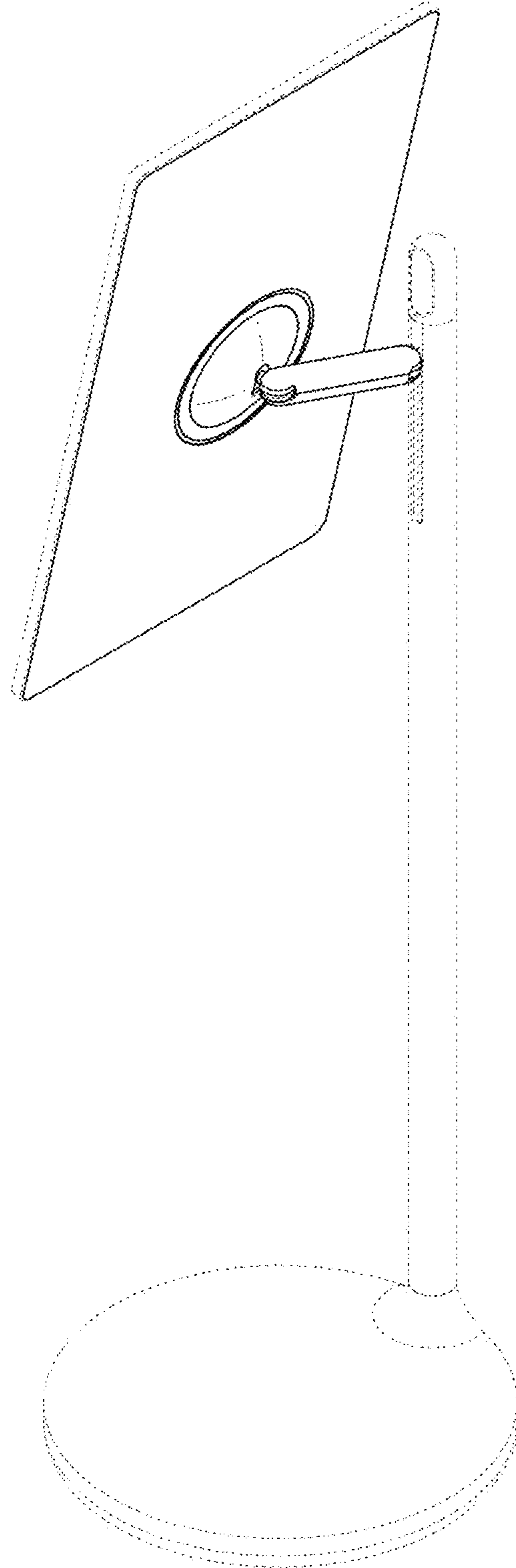
1.34



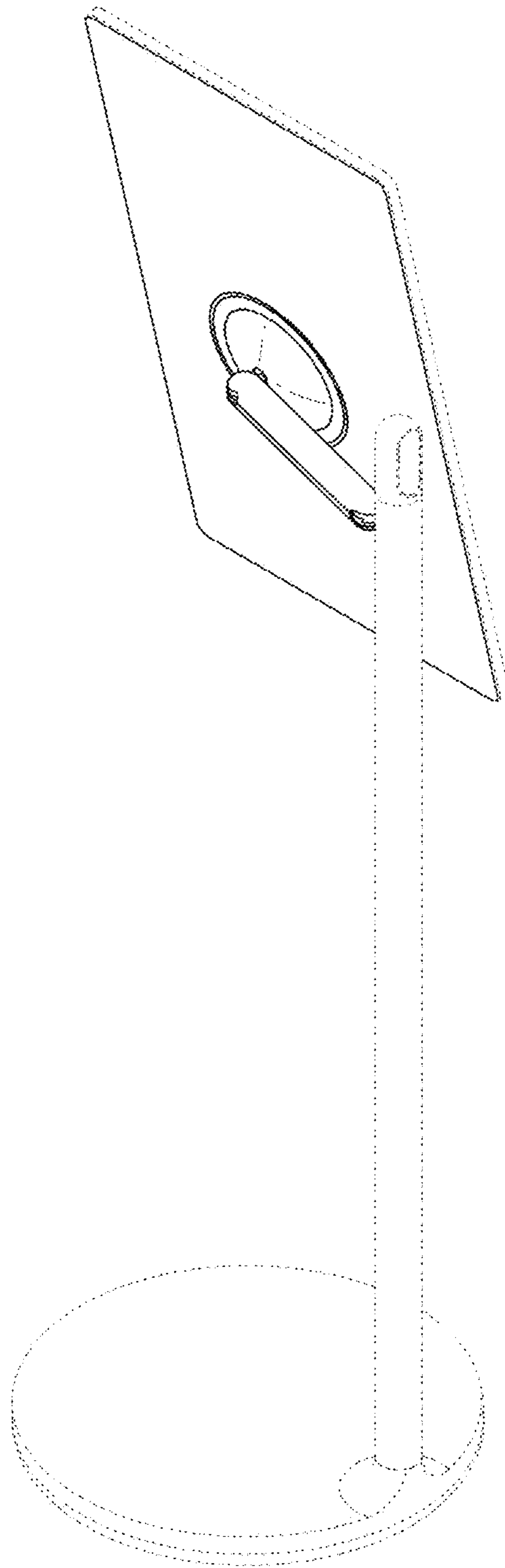
1.35



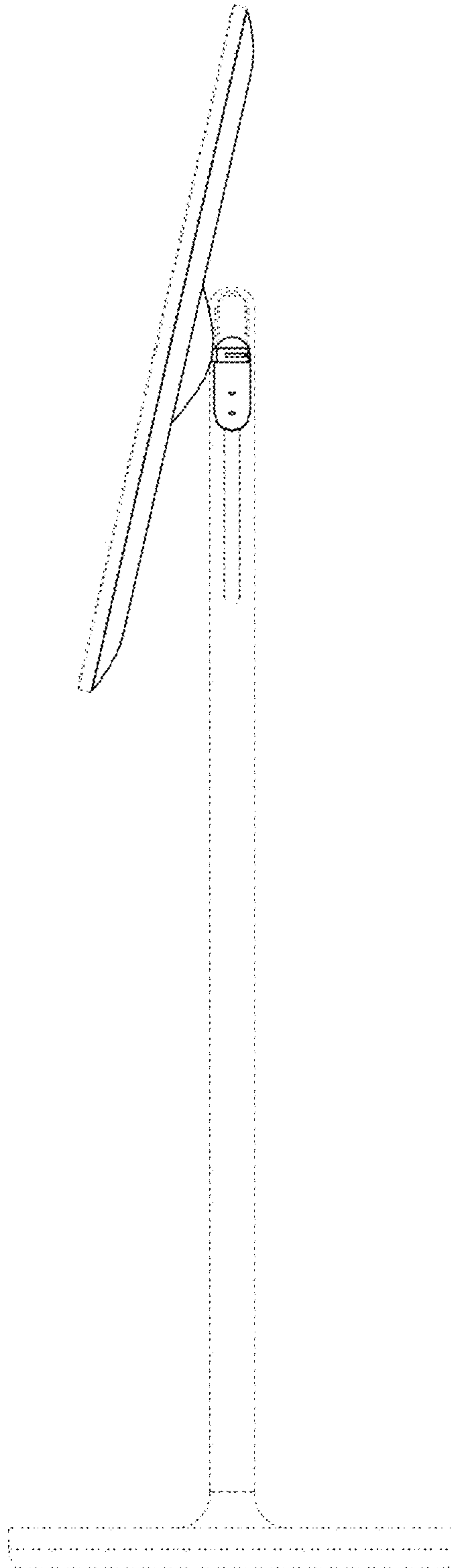
1.36



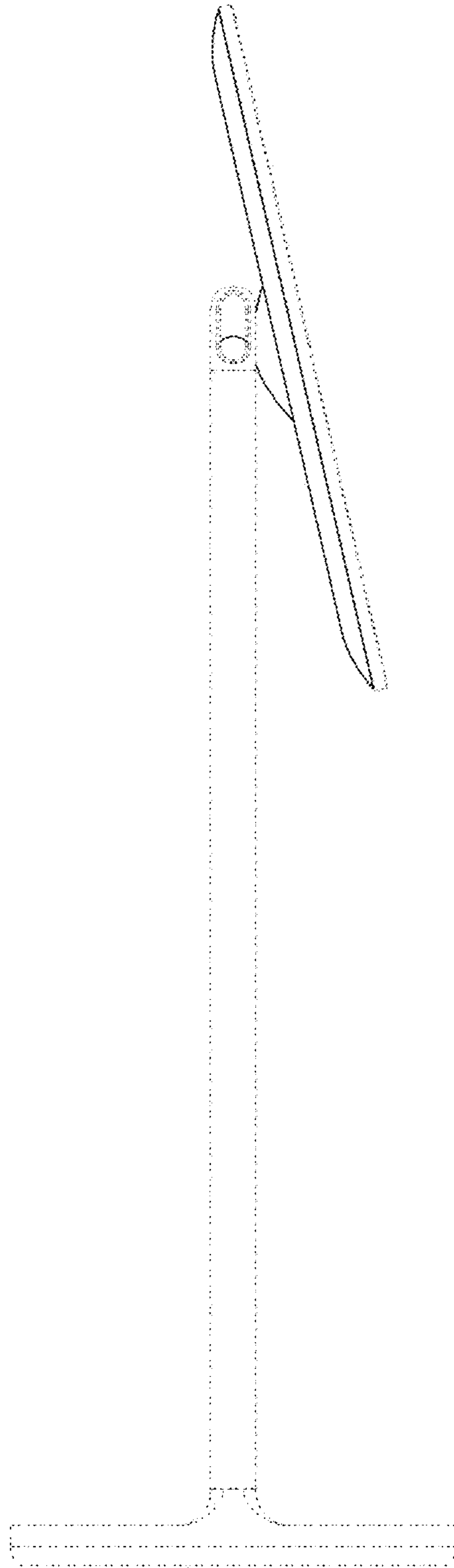
1.37



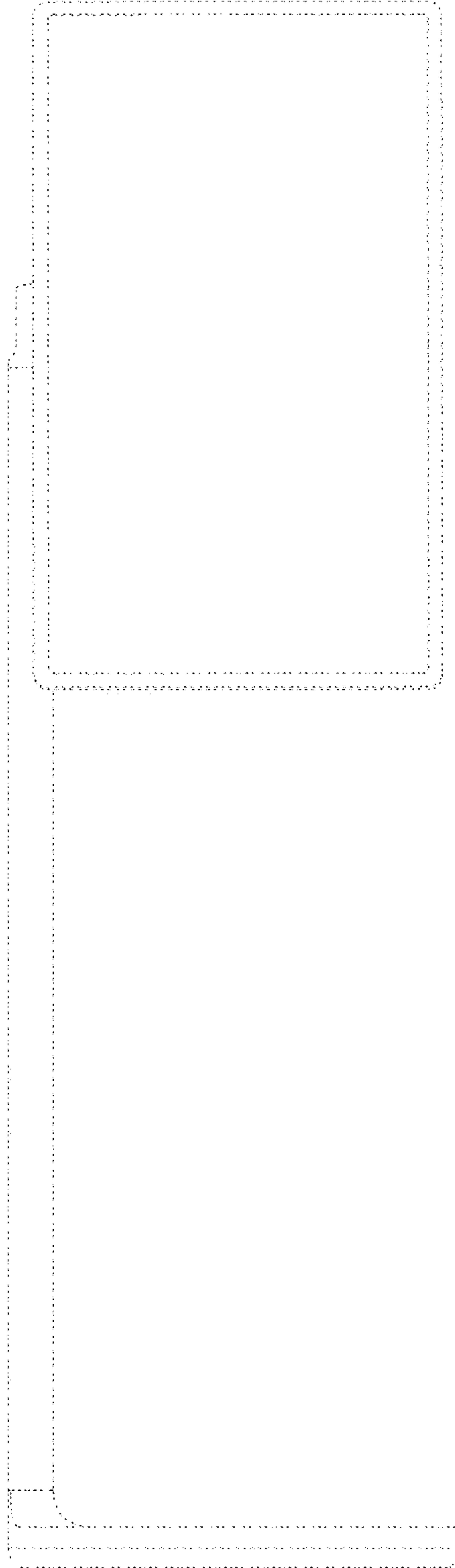
1.38



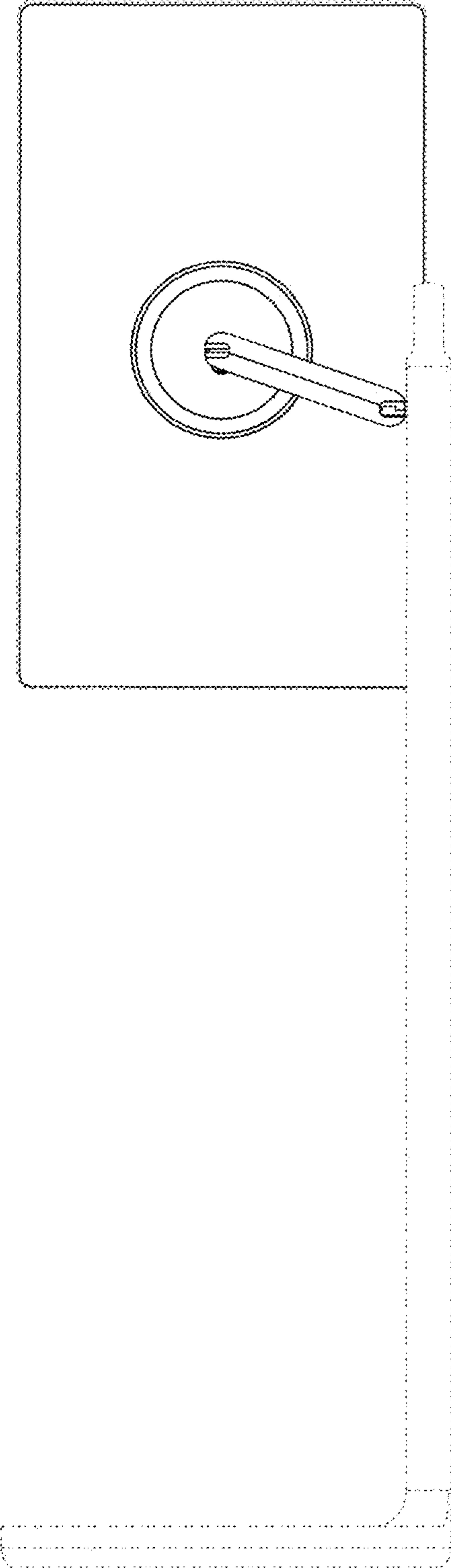
1.39



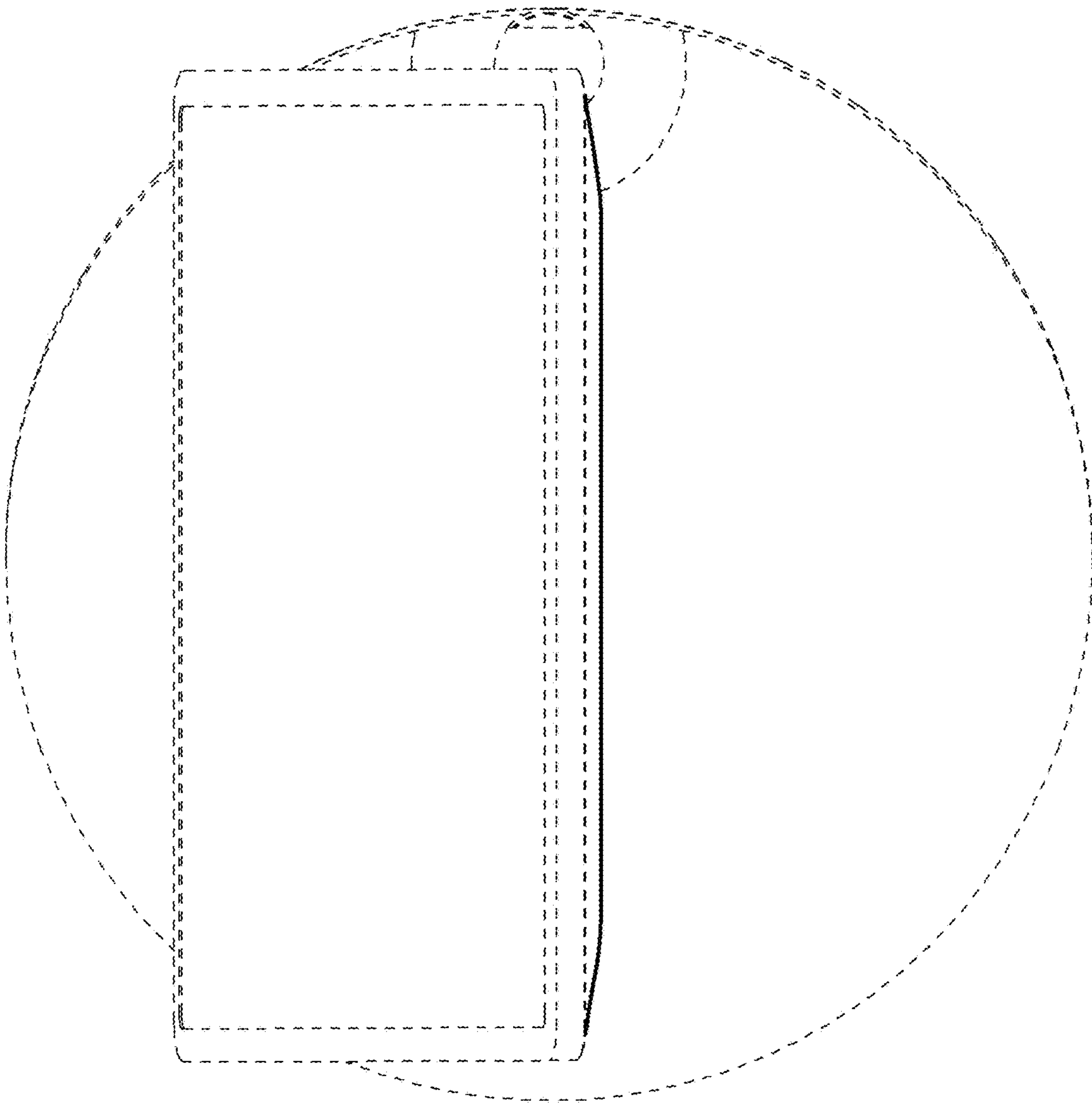
1.40



1.41



1.42



1.43

