



US00D966215S

(12) **United States Design Patent**
Lee et al.

(10) **Patent No.:** **US D966,215 S**
(45) **Date of Patent:** **** Oct. 11, 2022**

(54) **TELEVISION RECEIVER**

(71) Applicant: **LG ELECTRONICS INC.**, Seoul (KR)

(72) Inventors: **Nari Lee**, Seoul (KR); **Woosuk Park**, Seoul (KR); **Sangik Lee**, Seoul (KR)

(73) Assignee: **LG ELECTRONICS INC.**, Seoul (KR)

(**) Term: **15 Years**

(21) Appl. No.: **35/512,547**

(22) Filed: **Mar. 16, 2021**

(80) **Hague Agreement Data**

Int. Filing Date: **Mar. 16, 2021**

Int. Reg. No.: **DM/213447**

Int. Reg. Date: **Mar. 16, 2021**

Int. Reg. Pub. Date: **Sep. 17, 2021**

(30) **Foreign Application Priority Data**

Sep. 23, 2020 (KR) 30-2020-0045939

(51) **LOC (13) Cl.** **14-03**

(52) **U.S. Cl.**
USPC **D14/126**

(58) **Field of Classification Search**
USPC D14/125-129, 132, 300, 308, 310, 316,
D14/336, 357, 371, 375-380, 451, 452

(Continued)

(56) **References Cited**

U.S. PATENT DOCUMENTS

D489,370 S * 5/2004 Jobs D14/371
D551,184 S * 9/2007 Kanou D14/129

(Continued)

OTHER PUBLICATIONS

LG made a battery-powered TV that you can wheel around on a stand (LG StanbyME), publication date Dec. 13, 2021, [online]

URL: <https://www.theverge.com/2021/12/13/22832356/lg-stanby-me-portable-tv-objet-announced-design-specs> (Year: 2021).*

(Continued)

Primary Examiner — L. A. Grabenstetter

(74) *Attorney, Agent, or Firm* — Birch, Stewart, Kolasch & Birch, LLP

(57) **CLAIM**

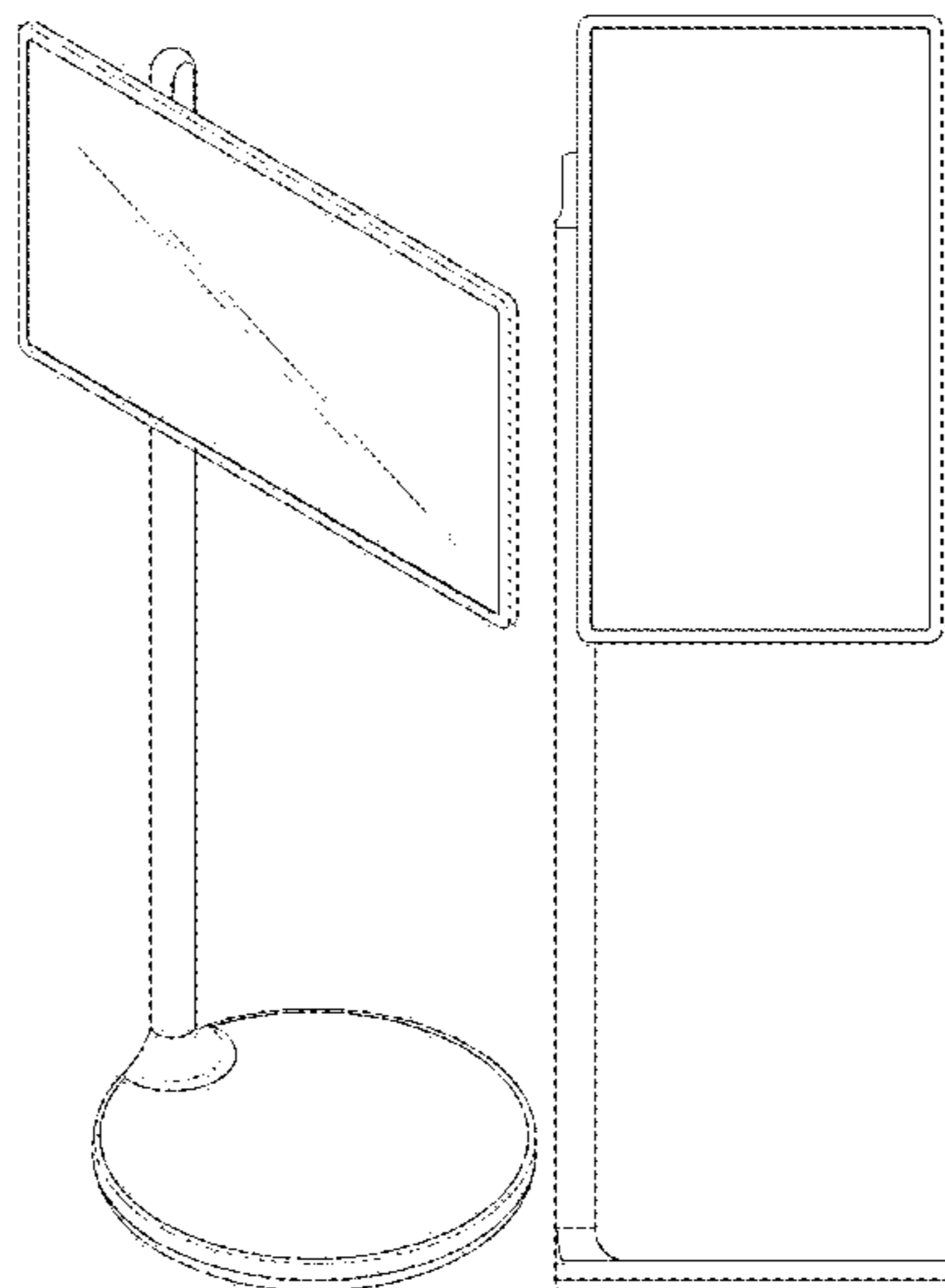
The ornamental design for a television receiver, as shown and described.

DESCRIPTION

- 1. Television receiver
- 1.1 : Front Perspective view
- 1.2 : Rear Perspective view
- 1.3 : Front view
- 1.4 : Rear view
- 1.5 : Left view
- 1.6 : Right view
- 1.7 : Top view
- 1.8 : Bottom view
- 1.9 : Second front view, with the display panel shown in an alternate orientation
- 1.10 : Second right view, with the display panel shown in an alternate position
- 1.11 : Third right view, with the display panel shown in an alternate position
- 1.12 : Second top view, with the display panel shown in an alternate position
- 1.13 : Second front perspective view, with the display panel shown in an alternate position

The subject design features a dual hinge between the display panel and the stand that allows the display panel and the stand to move up and down, rotate and lift; the broken lines indicate portions of the article that form no part of the claimed design; reproduction 1.9 is a reference view showing the status of rotating display panel; reproduction 1.10 to 1.13 are reference views thereof to show that the hinge of the display panel and the stand can be moved to alternate positions.

1 Claim, 13 Drawing Sheets



(58) **Field of Classification Search**

CPC G06F 1/1601; G06F 1/1605; G06F 1/162
See application file for complete search history.

(56) **References Cited**

U.S. PATENT DOCUMENTS

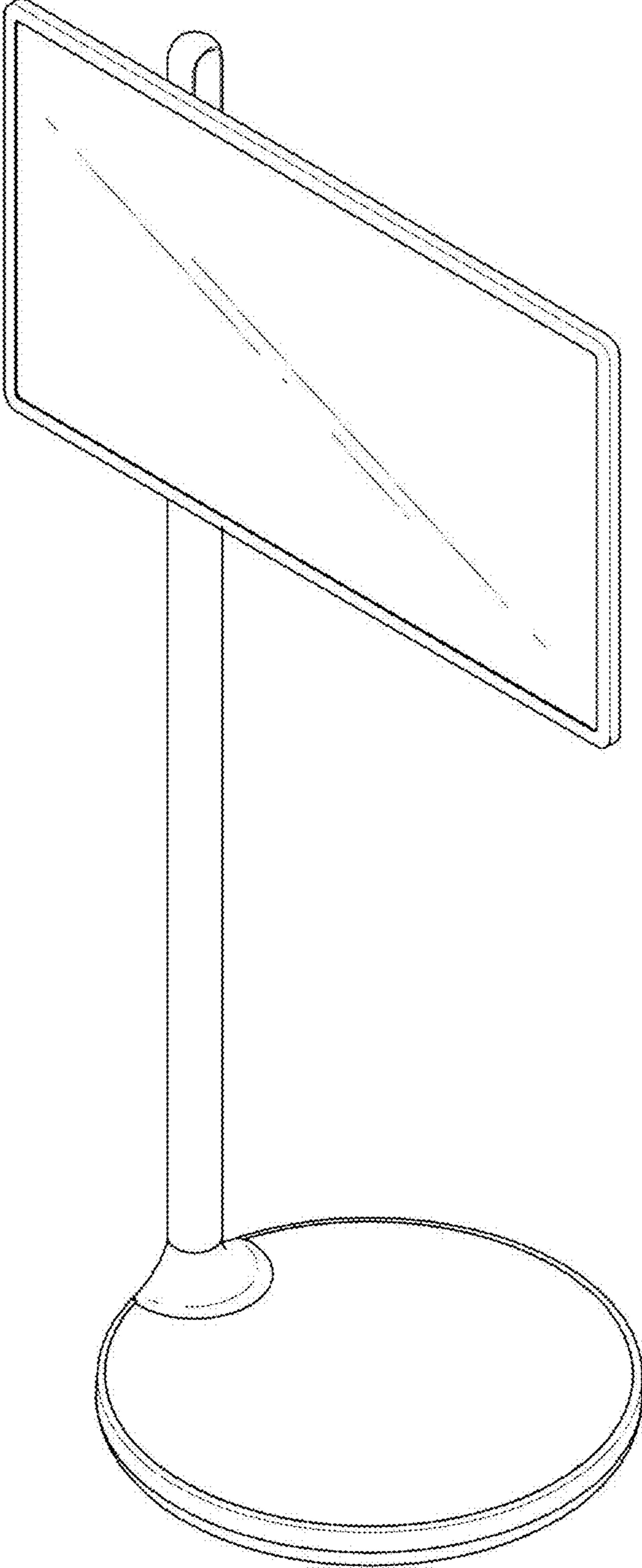
D595,512	S	*	7/2009	Chen	D14/371
D597,975	S	*	8/2009	Ohno	D14/129
D626,101	S	*	10/2010	Kim	D14/126
D644,223	S	*	8/2011	Maupin	D14/371
D661,673	S	*	6/2012	Chiu	D14/126
D671,083	S	*	11/2012	Kim	D14/126
D712,367	S	*	9/2014	Park	D14/126
D734,280	S	*	7/2015	Choi	D14/126
D739,464	S	*	9/2015	Liu	D14/374
D780,750	S	*	3/2017	Yu	D14/371
D783,611	S	*	4/2017	Kim	D14/374
D805,492	S	*	12/2017	Ahn	D14/126
D807,847	S	*	1/2018	Ahn	D14/126
D824,354	S	*	7/2018	Kymm	D14/126
D826,887	S	*	8/2018	Kymm	D14/126
D839,248	S	*	1/2019	Hwang	D14/239
D904,992	S	*	12/2020	Kim	D14/125
D925,931	S	*	7/2021	Park	D6/310
D954,669	S	*	6/2022	Kim	D14/126

OTHER PUBLICATIONS

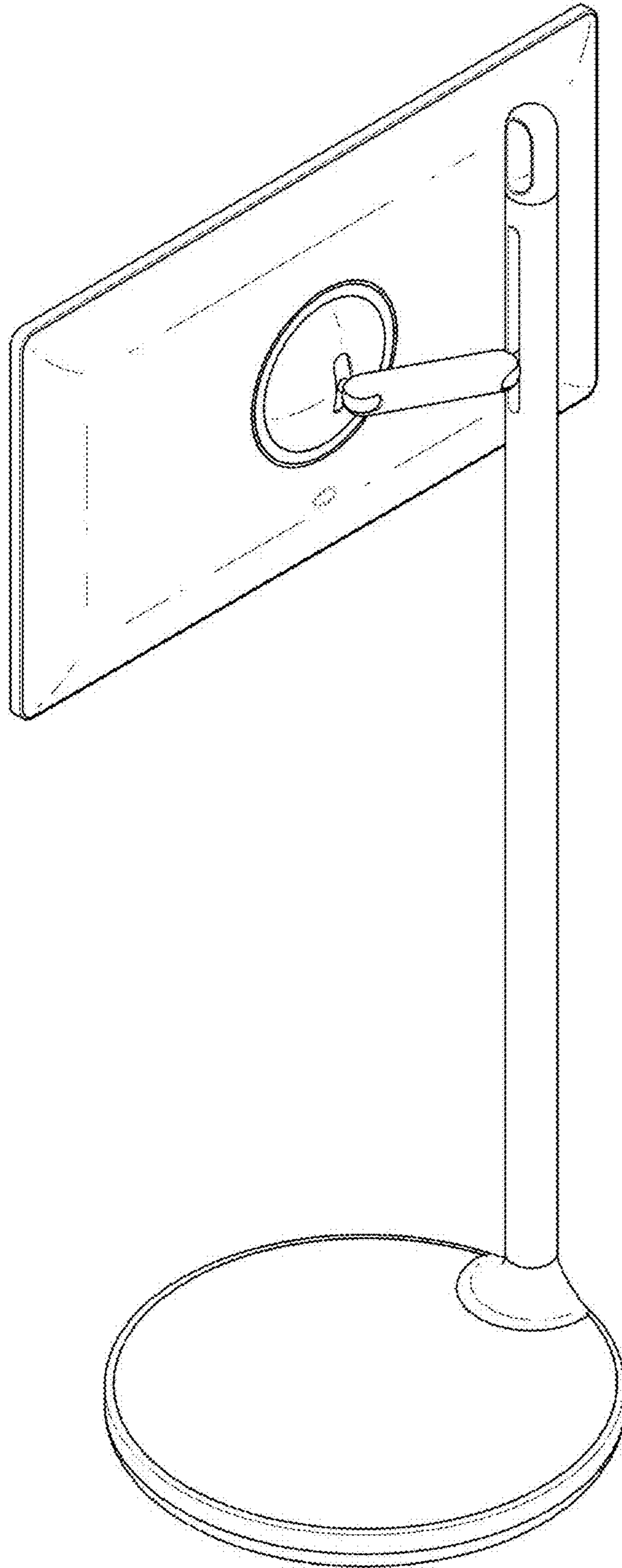
Cavus high end television brushed steel, publication date Apr. 22, 2016, [online] URL: <https://www.amazon.co.uk/Cavus-Fm120-50S-STAND-Stainless/dp/B01ENHQ3XI> (Year: 2016).*

* cited by examiner

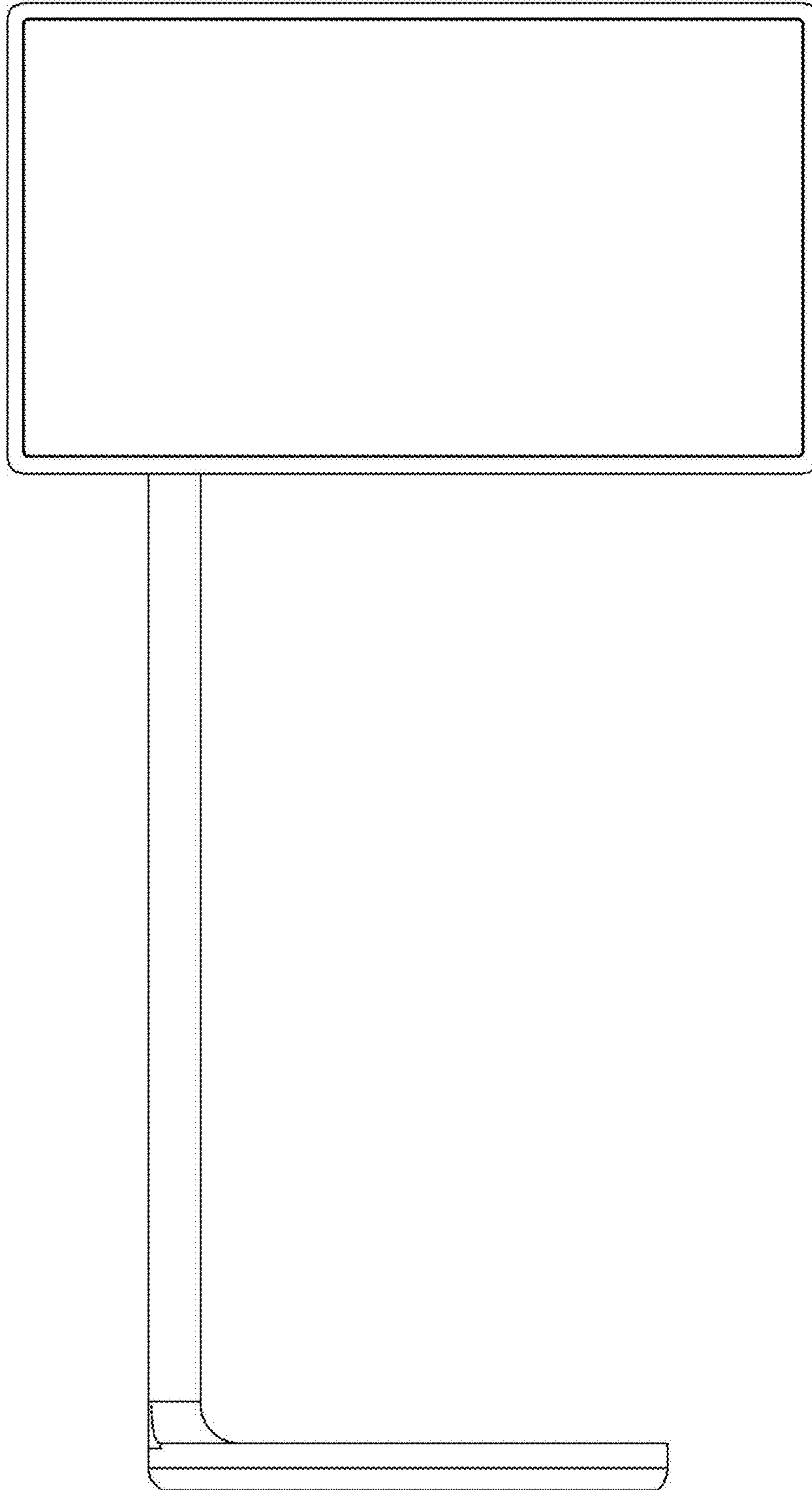
1.1



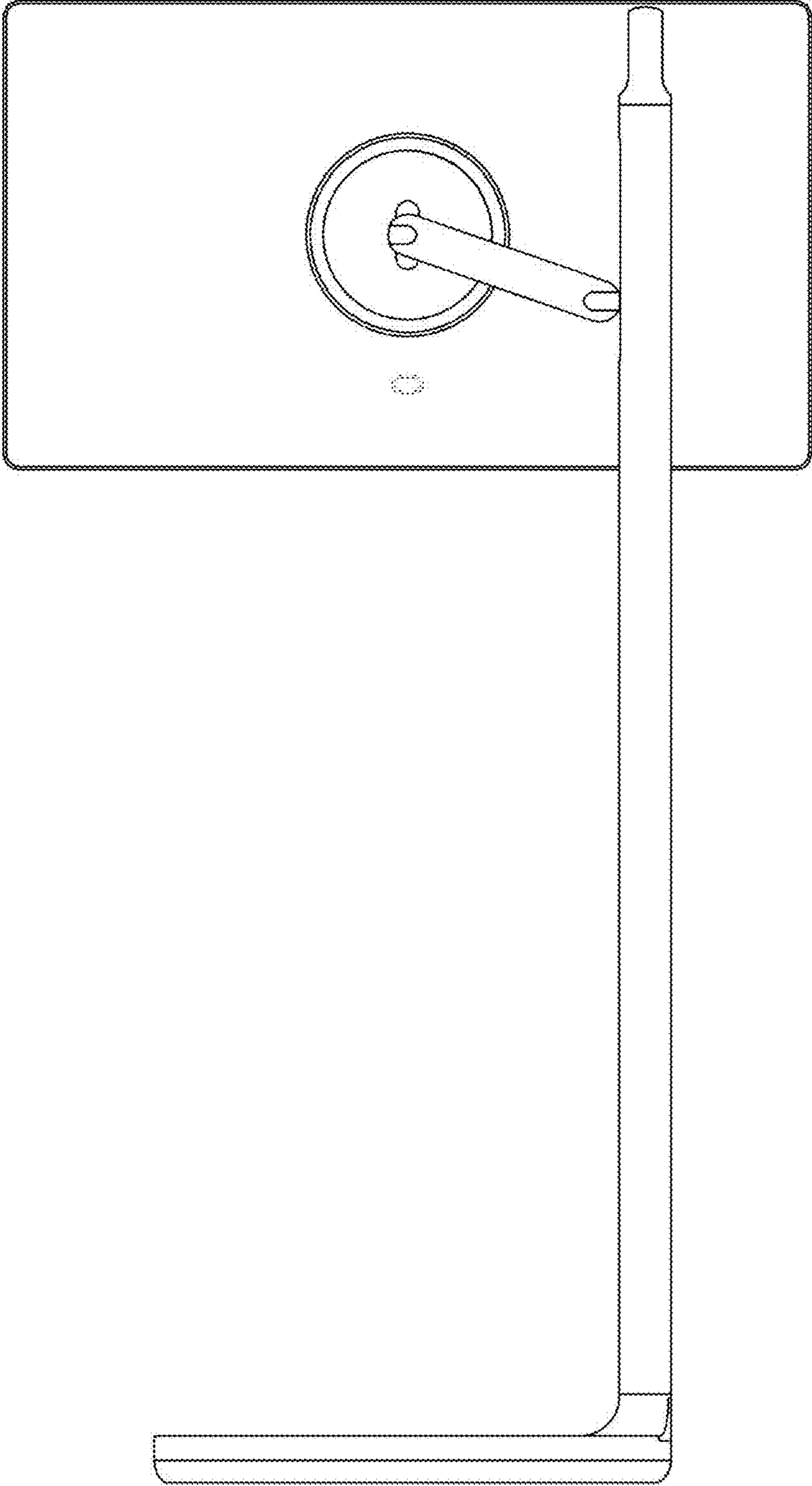
1.2



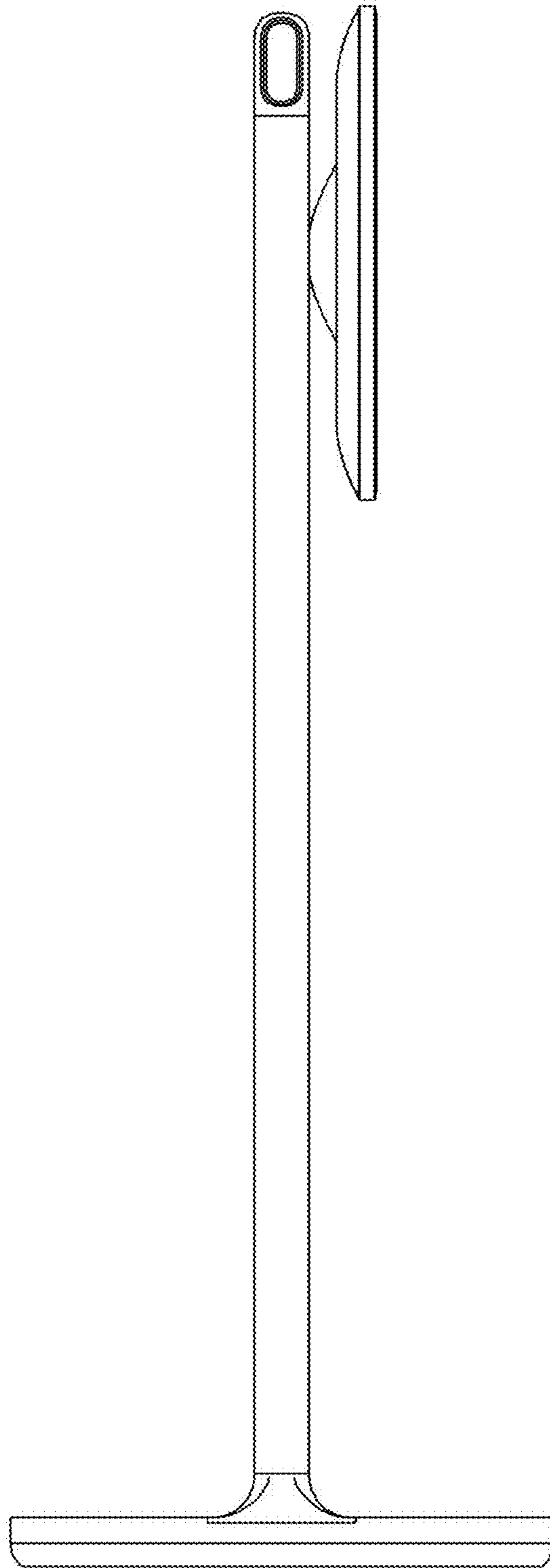
1.3



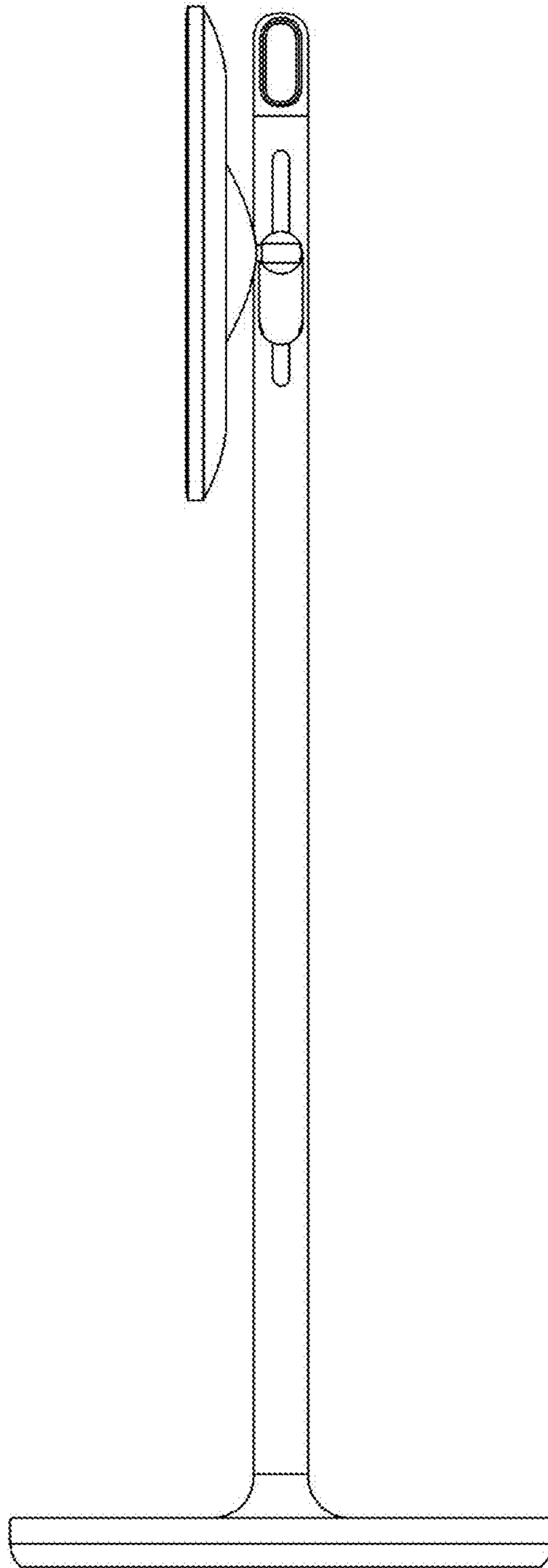
1.4



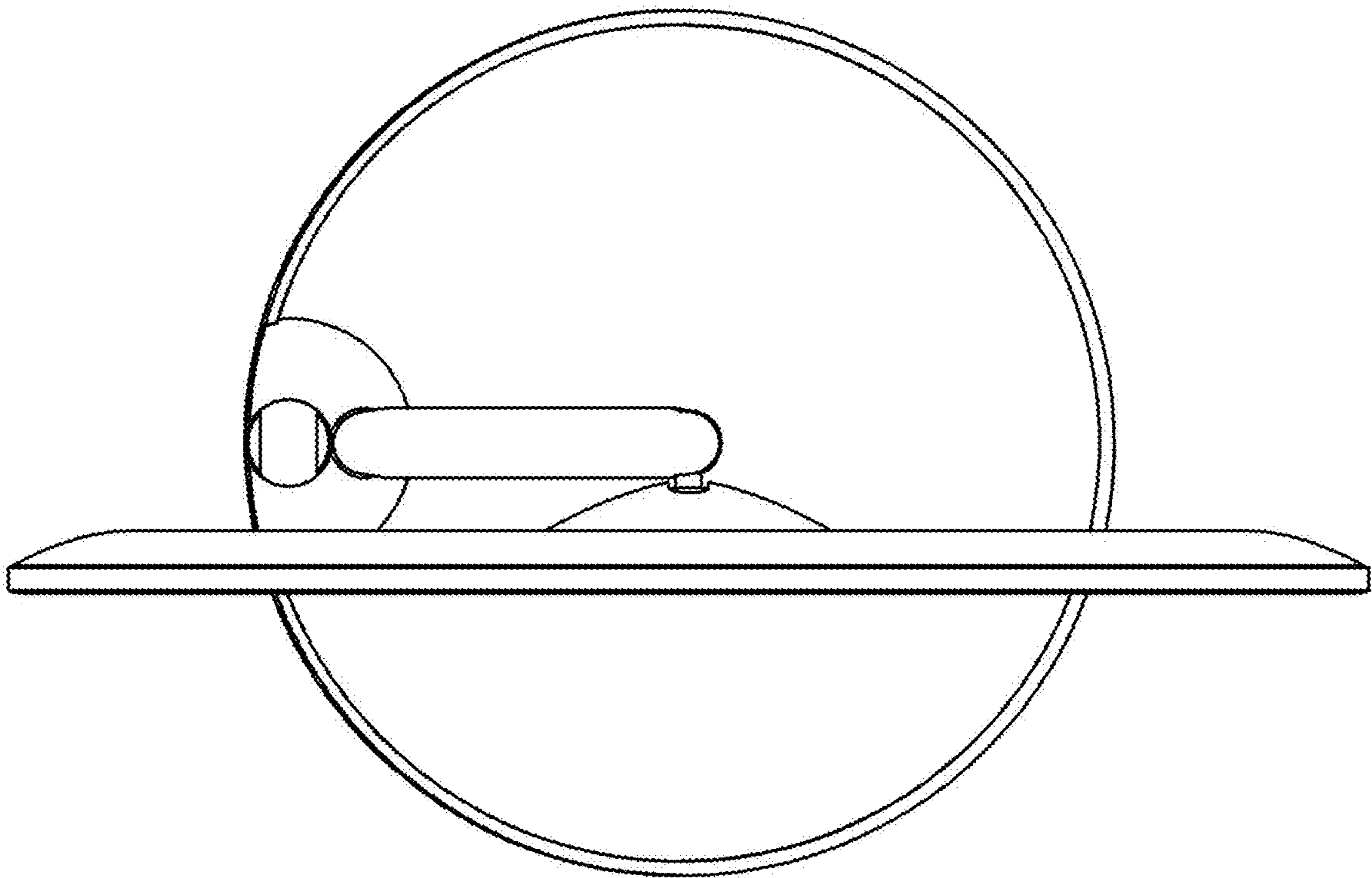
1.5



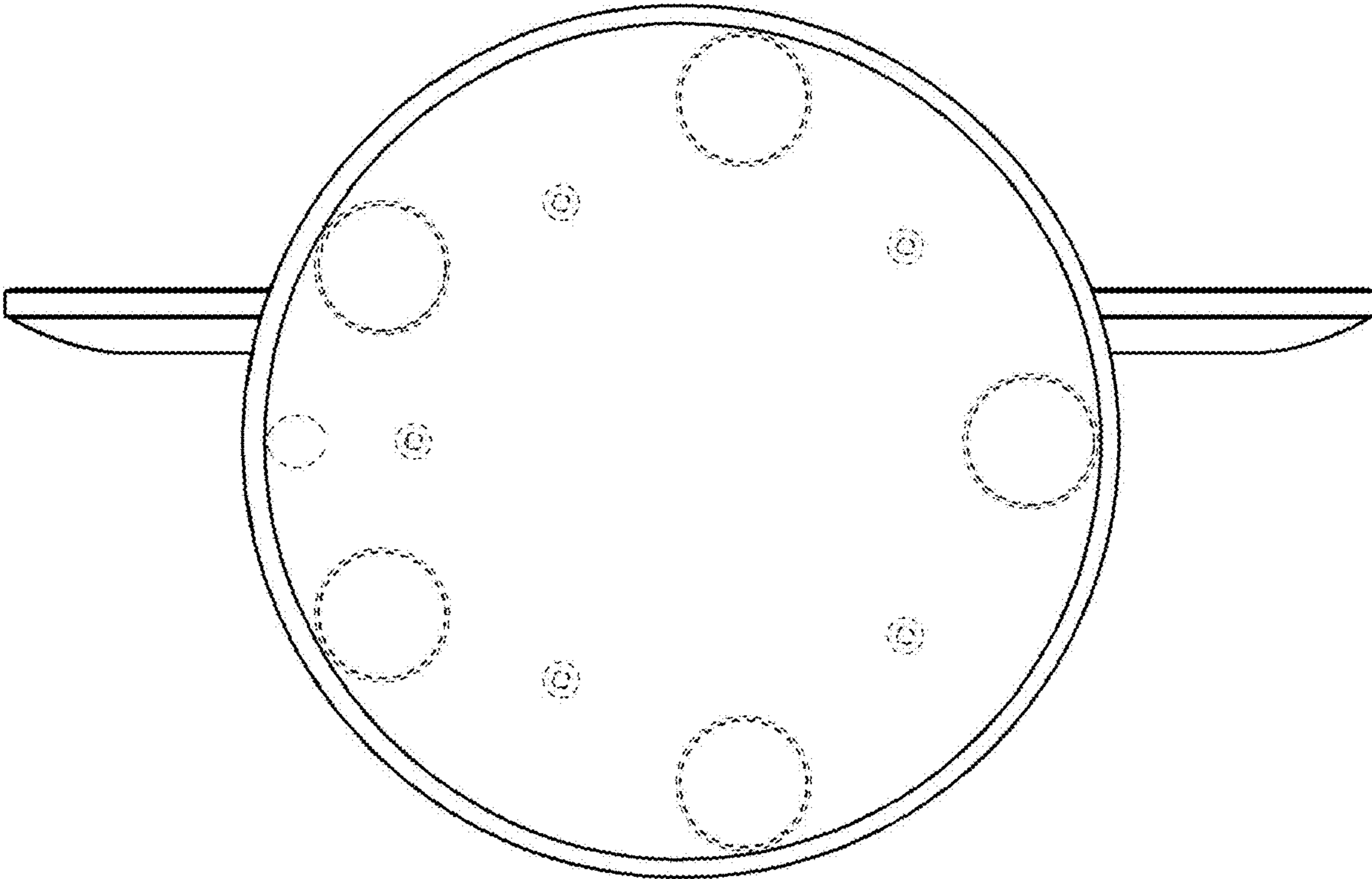
1.6



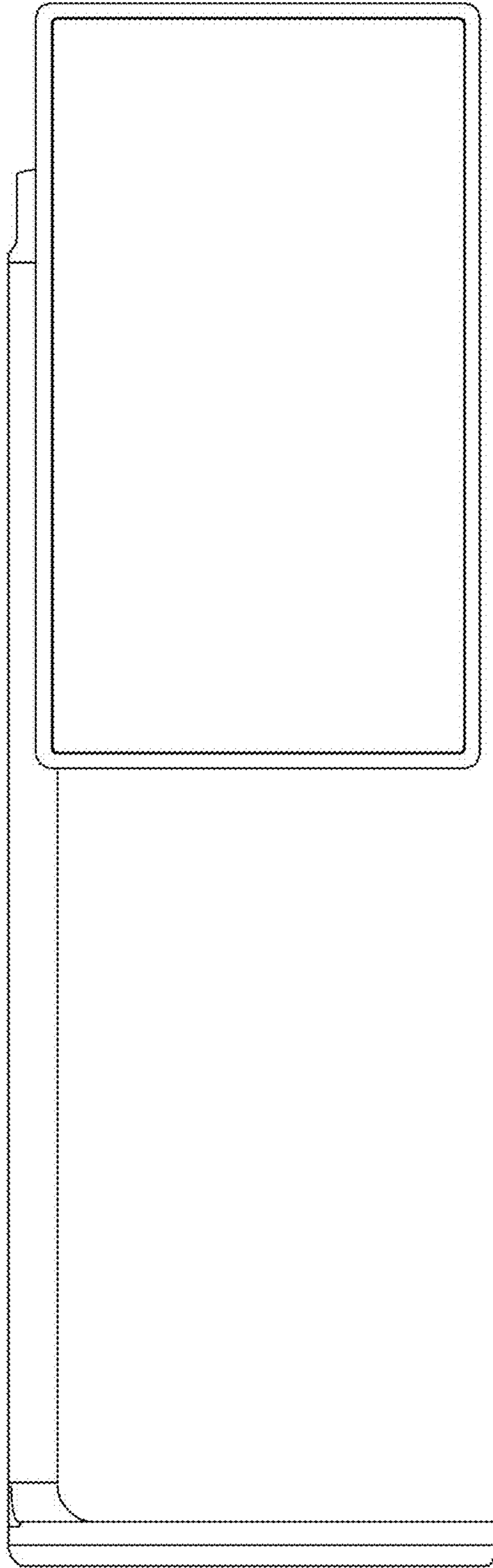
1.7



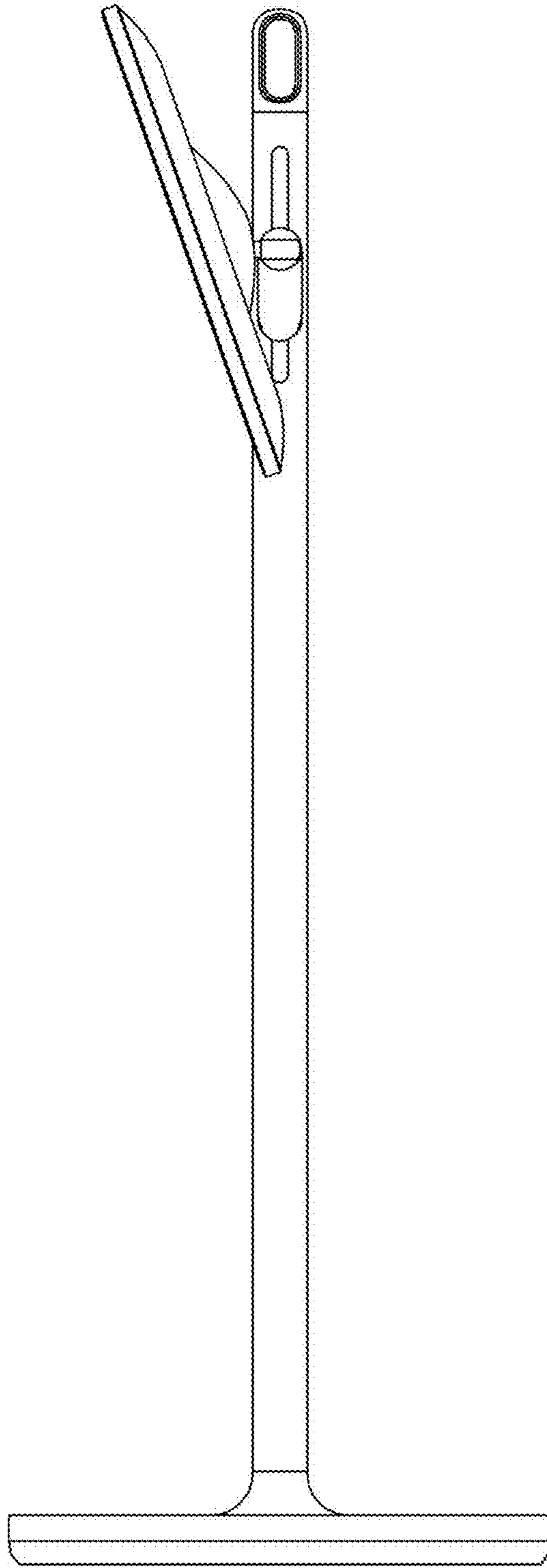
1.8



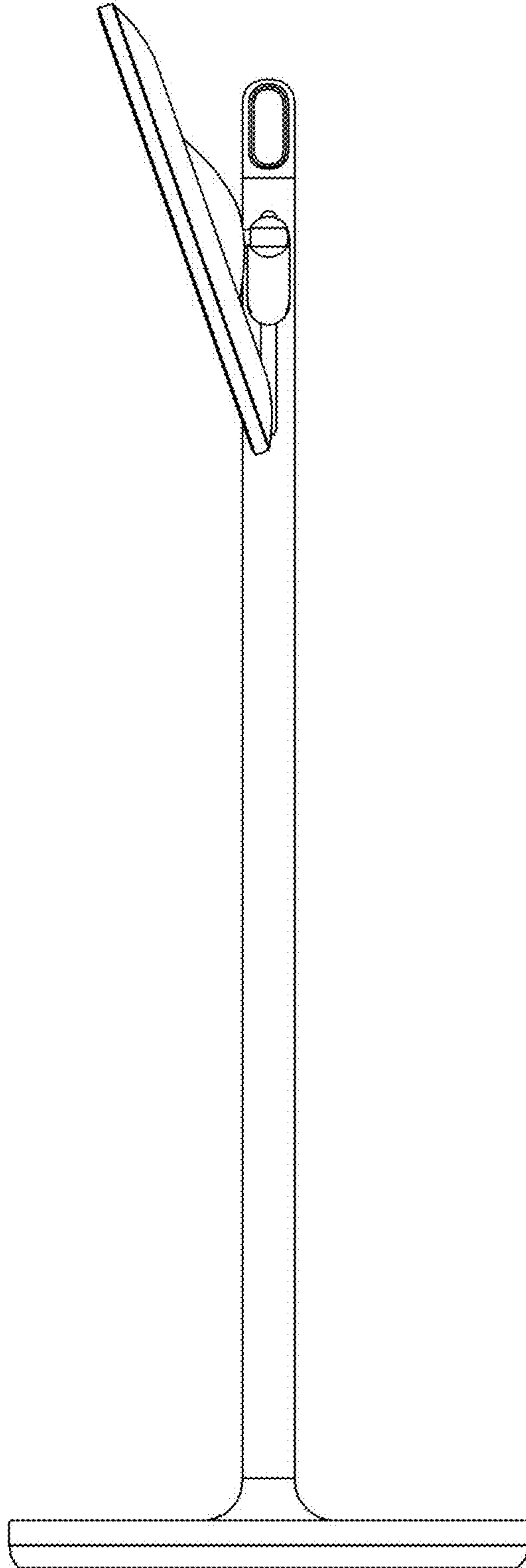
1.9



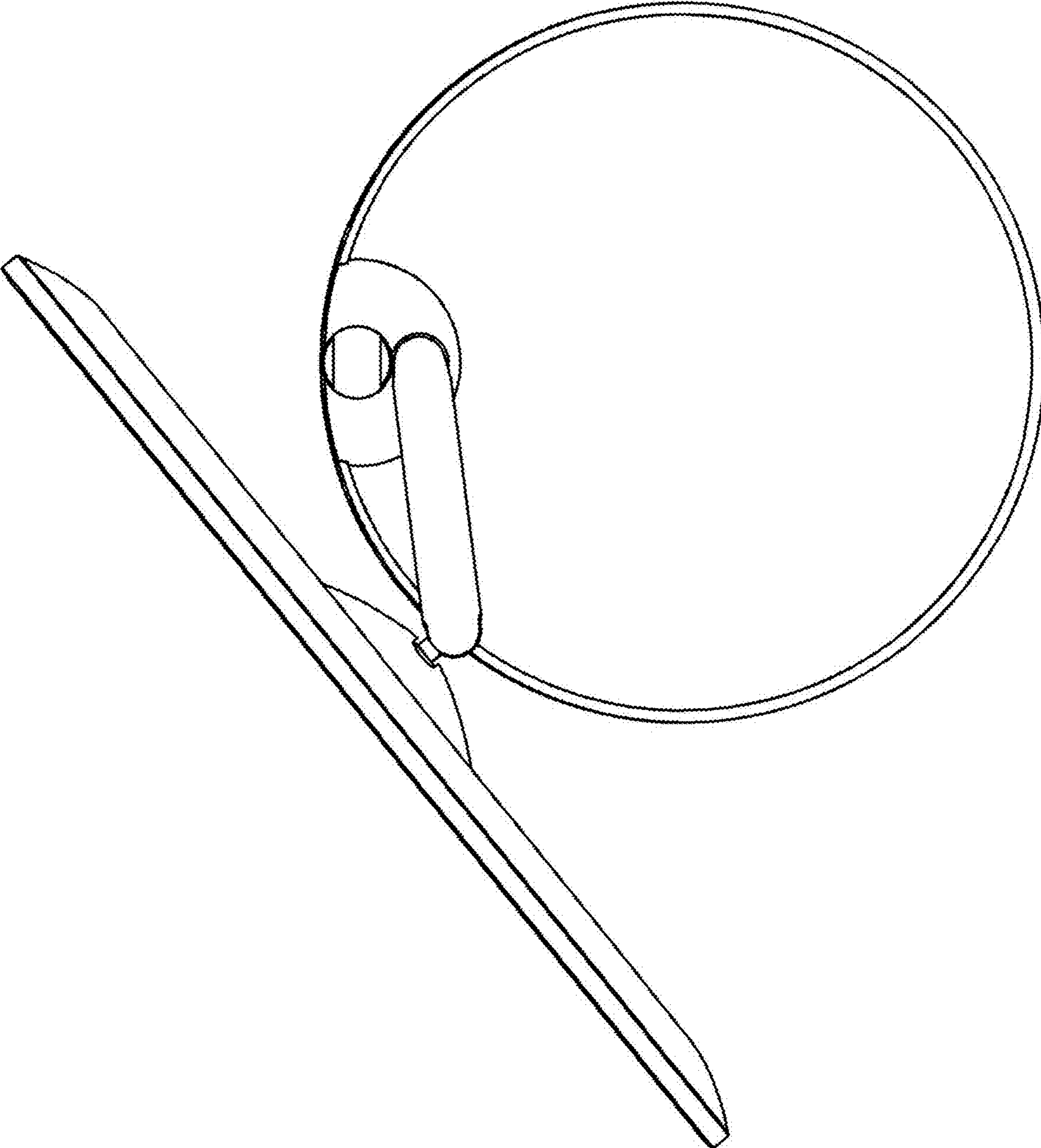
1.10



1.11



1.12



1.13

