



US00D966214S

(12) **United States Design Patent**
Kim et al.

(10) **Patent No.:** **US D966,214 S**
(45) **Date of Patent:** **** Oct. 11, 2022**

(54) **TELEVISION RECEIVER**

D796,464 S * 9/2017 Kim D14/126
D806,661 S * 1/2018 Lee D14/126
D826,885 S * 8/2018 Kim D14/126

(71) Applicant: **LG ELECTRONICS INC.**, Seoul
(KR)

(Continued)

(72) Inventors: **Younsoo Kim**, Seoul (KR); **Younghun Jang**, Seoul (KR); **Myungwhoon Lee**, Seoul (KR)

Primary Examiner — Keli L Hill

(74) *Attorney, Agent, or Firm* — Birch, Stewart, Kolasch & Birch, LLP

(73) Assignee: **LG ELECTRONICS INC.**, Seoul
(KR)

(57) **CLAIM**

The ornamental design for a television receiver, as shown and described.

(**) Term: **15 Years**

(21) Appl. No.: **35/511,575**

DESCRIPTION

(22) Filed: **Nov. 25, 2020**

(80) **Hague Agreement Data**

Int. Filing Date: **Nov. 25, 2020**
Int. Reg. No.: **DM/213061**
Int. Reg. Date: **Nov. 25, 2020**
Int. Reg. Pub. Date: **Mar. 19, 2021**

- 1. Television receiver
- 1.1 : Perspective
- 1.2 : Rear perspective view
- 1.3 : Front
- 1.4 : Back
- 1.5 : Left
- 1.6 : Right
- 1.7 : Top
- 1.8 : Bottom
- 1.9 : Enlarged
- 1.10 : Enlarged
- 1.11 : Enlarged
- 1.12 : Reference
- 1.13 : Reference

(30) **Foreign Application Priority Data**

Jun. 10, 2020 (KR) 30-2020-0026059

(51) **LOC (13) Cl.** **14-03**

(52) **U.S. Cl.**
USPC **D14/126**

(58) **Field of Classification Search**
USPC D14/126, 239, 336, 371–382, 448, 450,
D14/451; D21/329, 332, 515; D6/310,
D6/312
CPC G06F 1/16; G06F 1/1601; G06F 1/1637;
H04N 5/64; H05K 5/0204; H05K 5/0004;
H05K 5/0017; H05K 5/0217
See application file for complete search history.

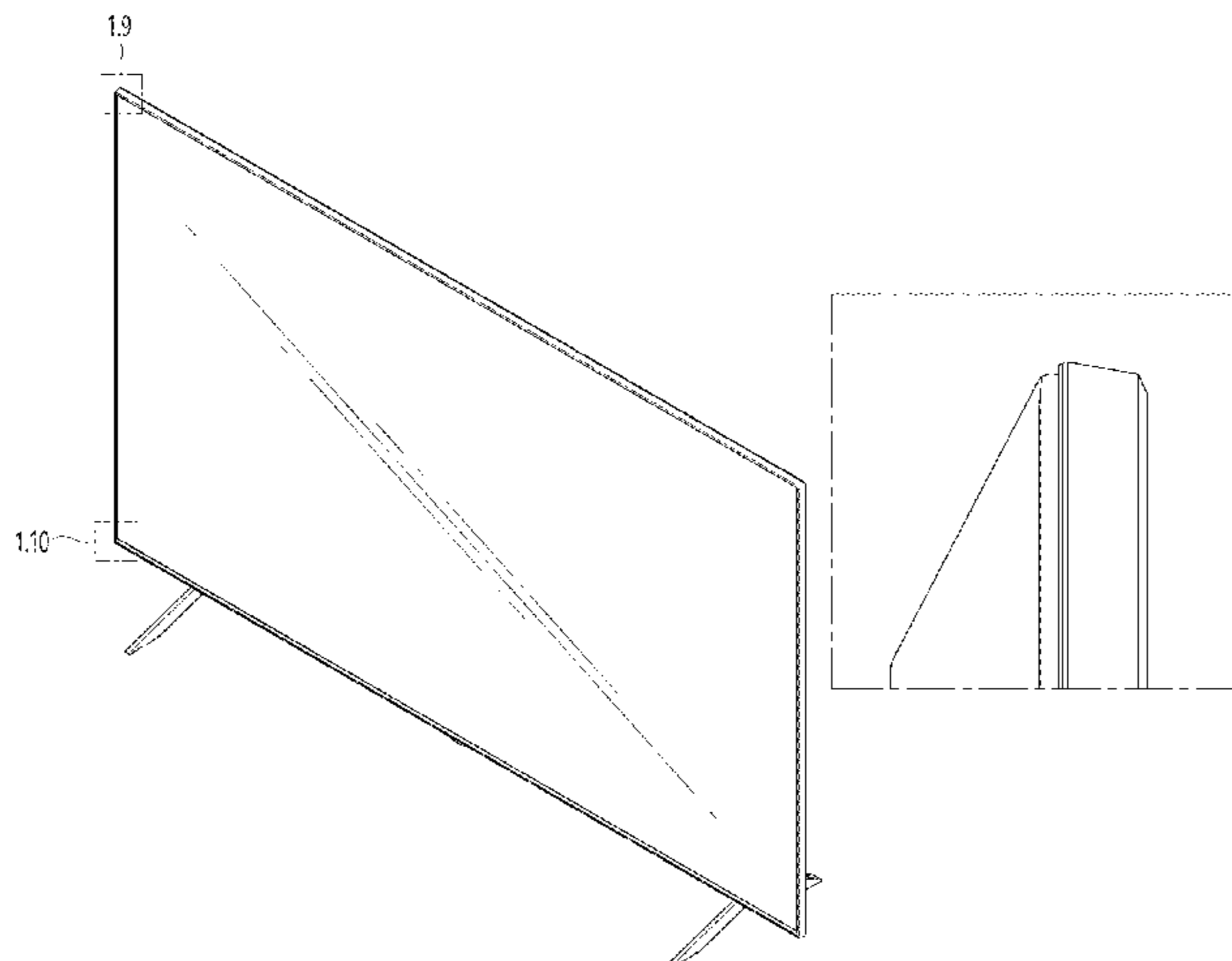
The broken lines indicate portions of the article that form no part of the claimed design; reproductions **1.9** and **1.10** are enlarged views showing portions indicated by the square in dot-dashed lines, the leading lines and the reference characters **1.9** and **1.10** on reproduction **1.1**; reproduction **1.11** is an enlarged view showing portion indicated by the square in dot-dashed lines, the leading line and the reference character **1.11** on reproduction **1.5**; reproduction **1.12** is a reference view showing a state of use in which cables connected to the subject design are clearly organized through the stand; reproduction **1.13** is a reference view showing a state of use in which the subject design without its stand is installed on the wall.

(56) **References Cited**

U.S. PATENT DOCUMENTS

D749,532 S * 2/2016 McManigal D14/126
D751,048 S * 3/2016 Yoon D14/126

1 Claim, 13 Drawing Sheets



(56)

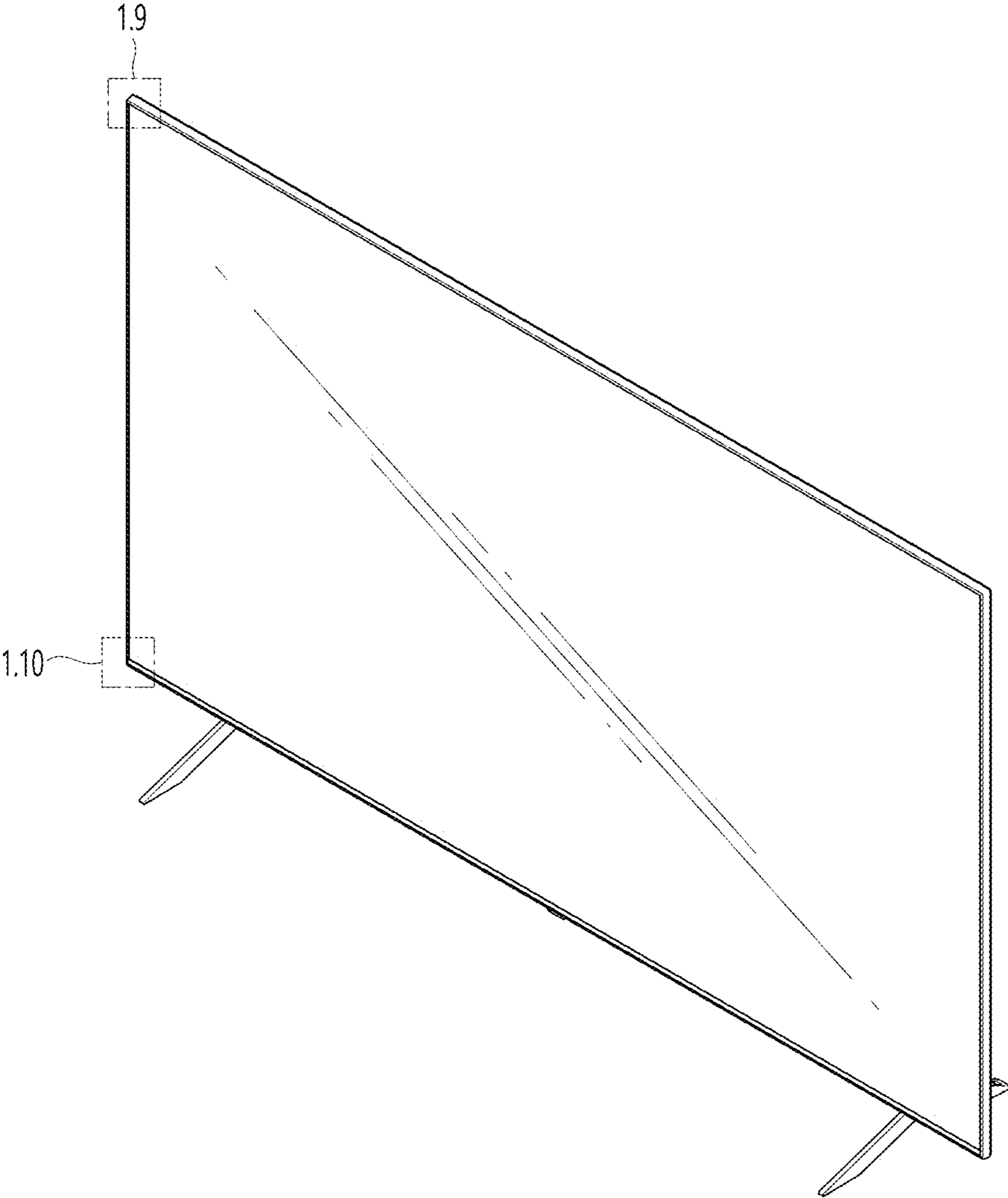
References Cited

U.S. PATENT DOCUMENTS

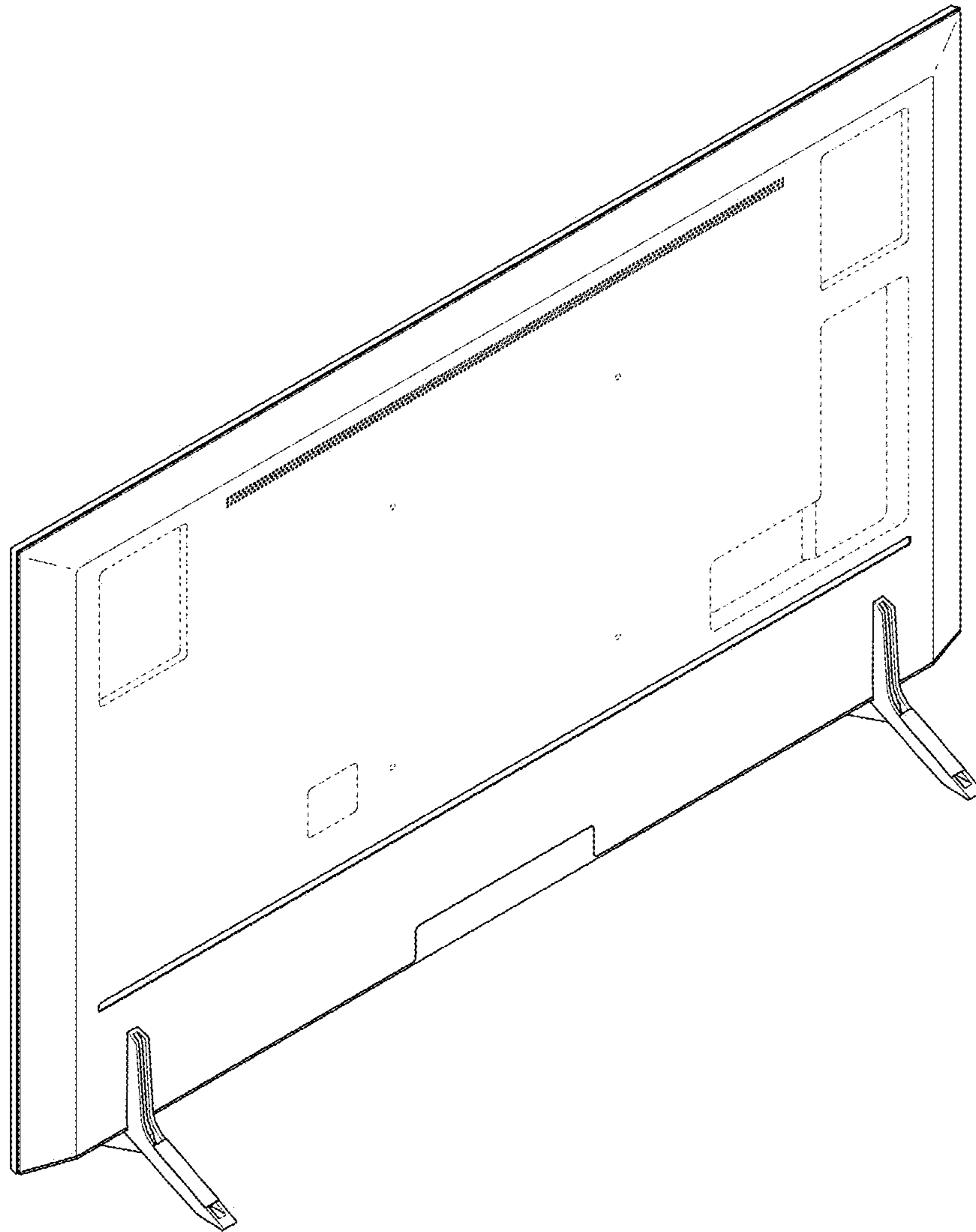
D835,058 S	*	12/2018	Kim	D14/126
D841,609 S	*	2/2019	Kim	D14/126
D884,663 S	*	5/2020	Jang	D14/126
D896,194 S	*	9/2020	Kim	D14/126

* cited by examiner

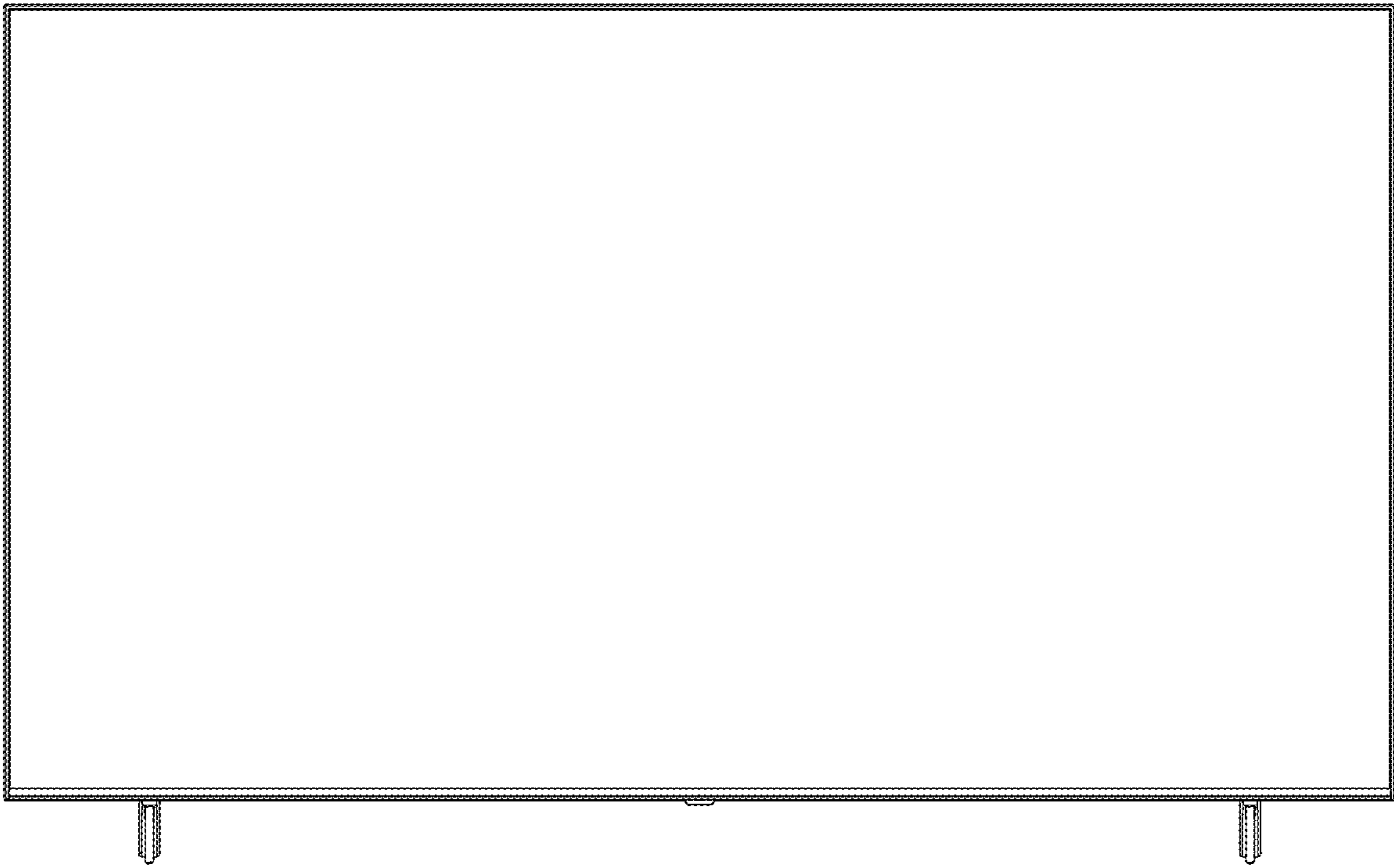
1.1



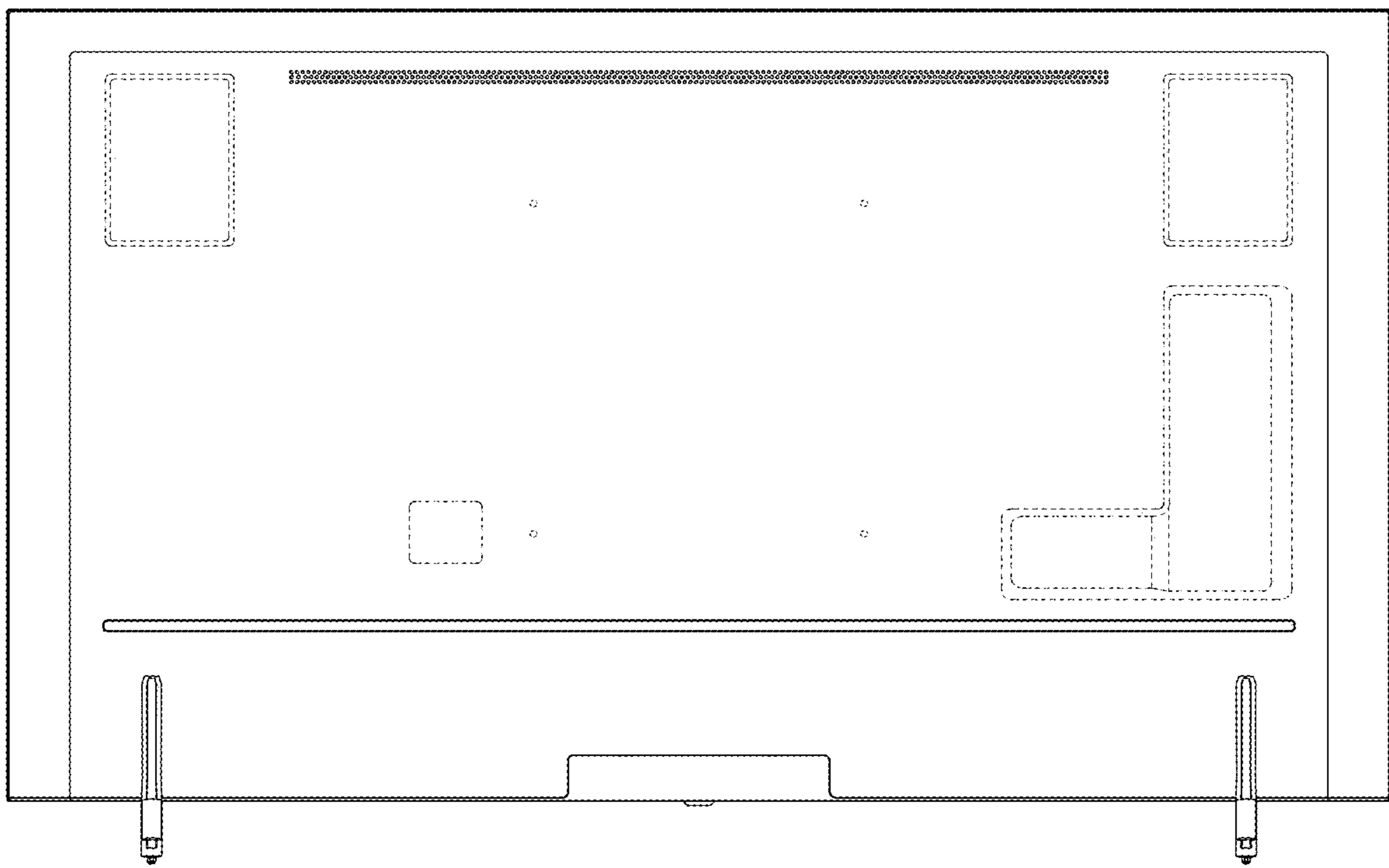
1.2



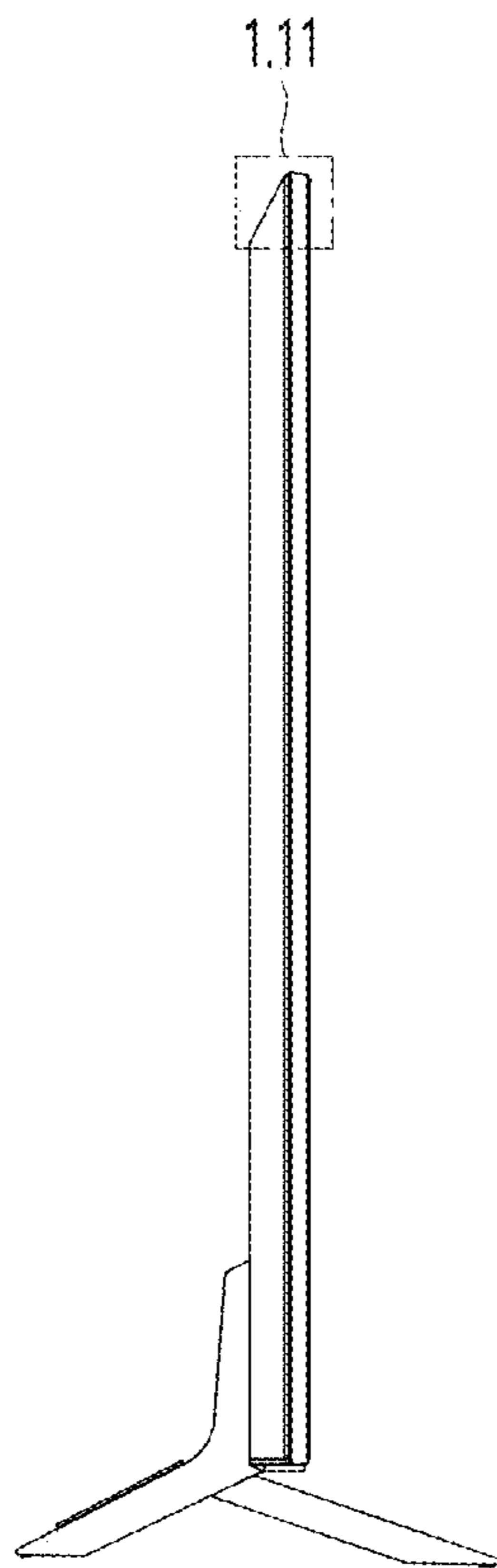
1.3



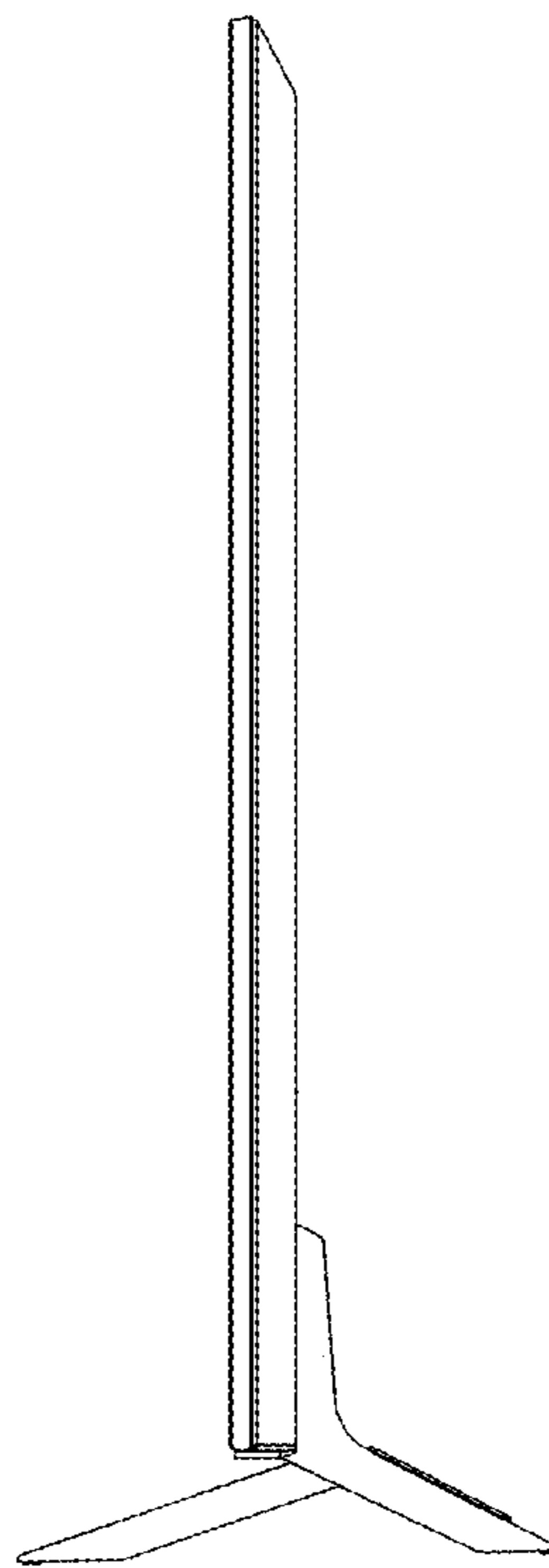
1.4



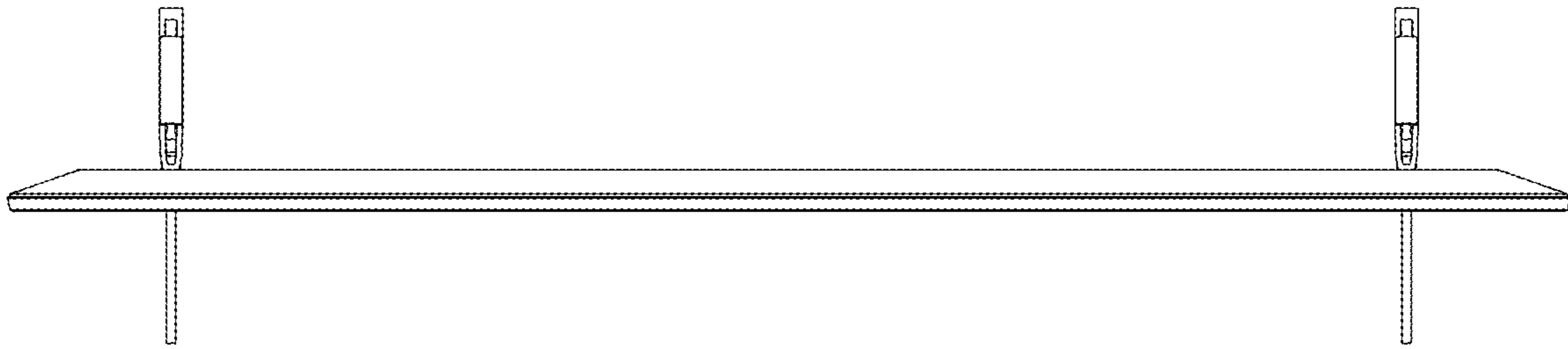
1.5



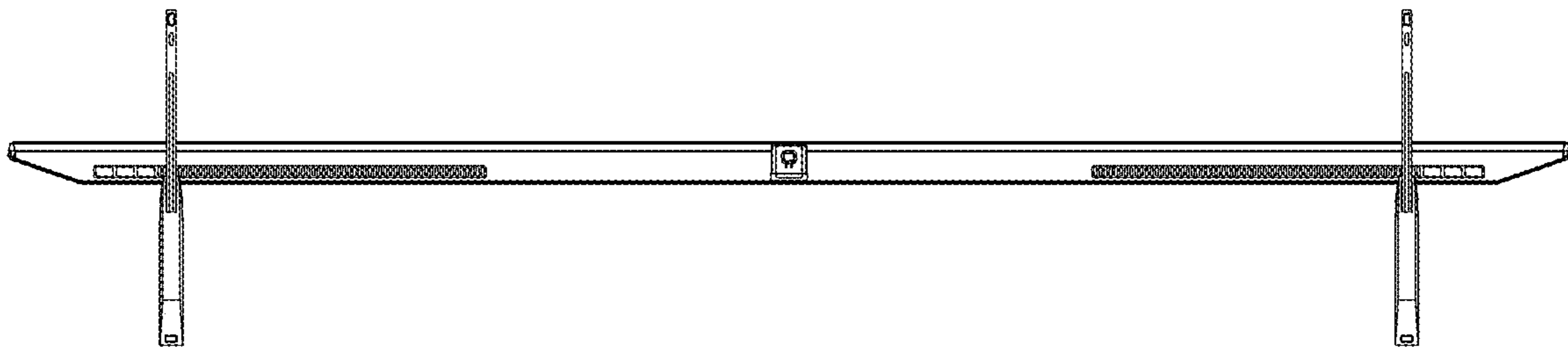
1.6



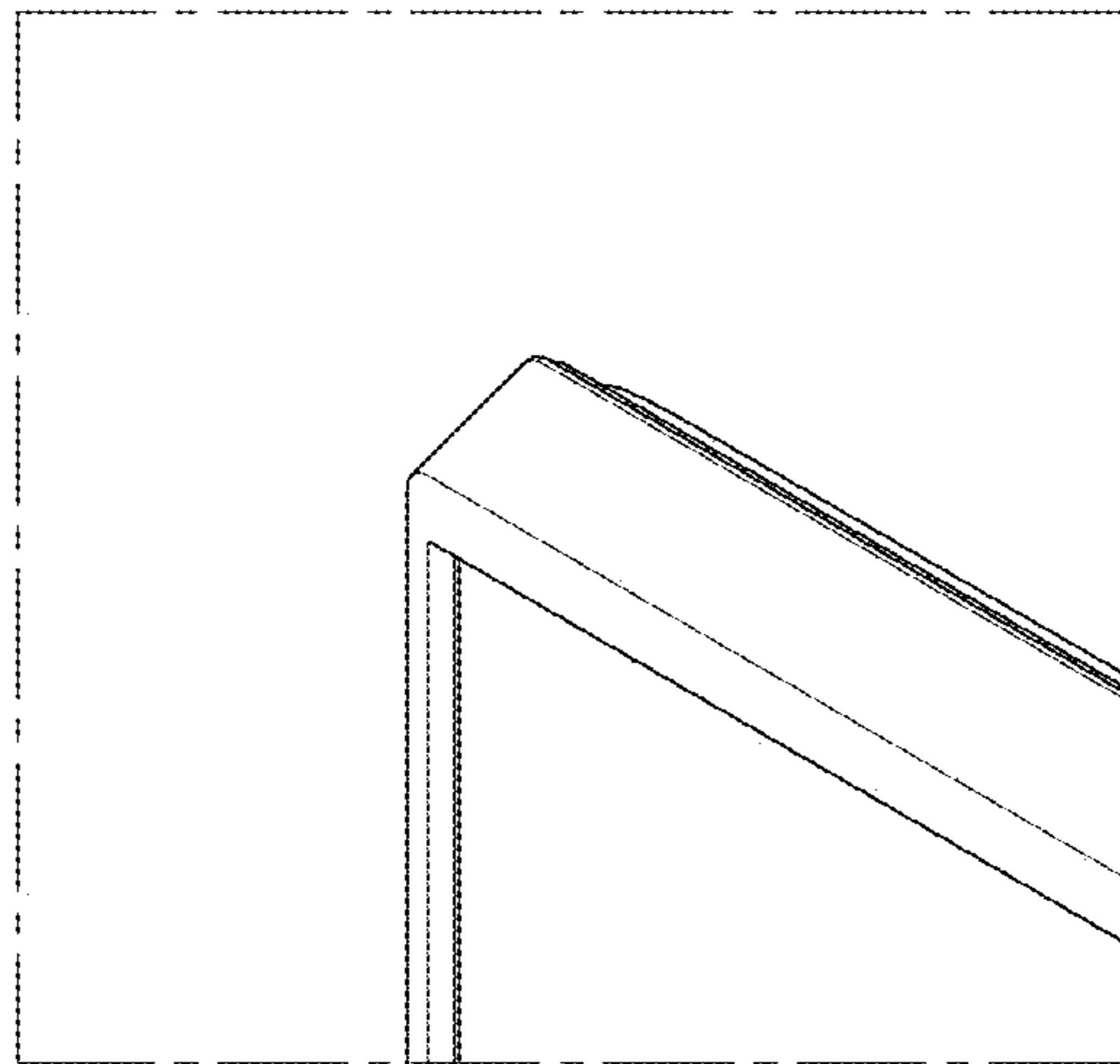
1.7



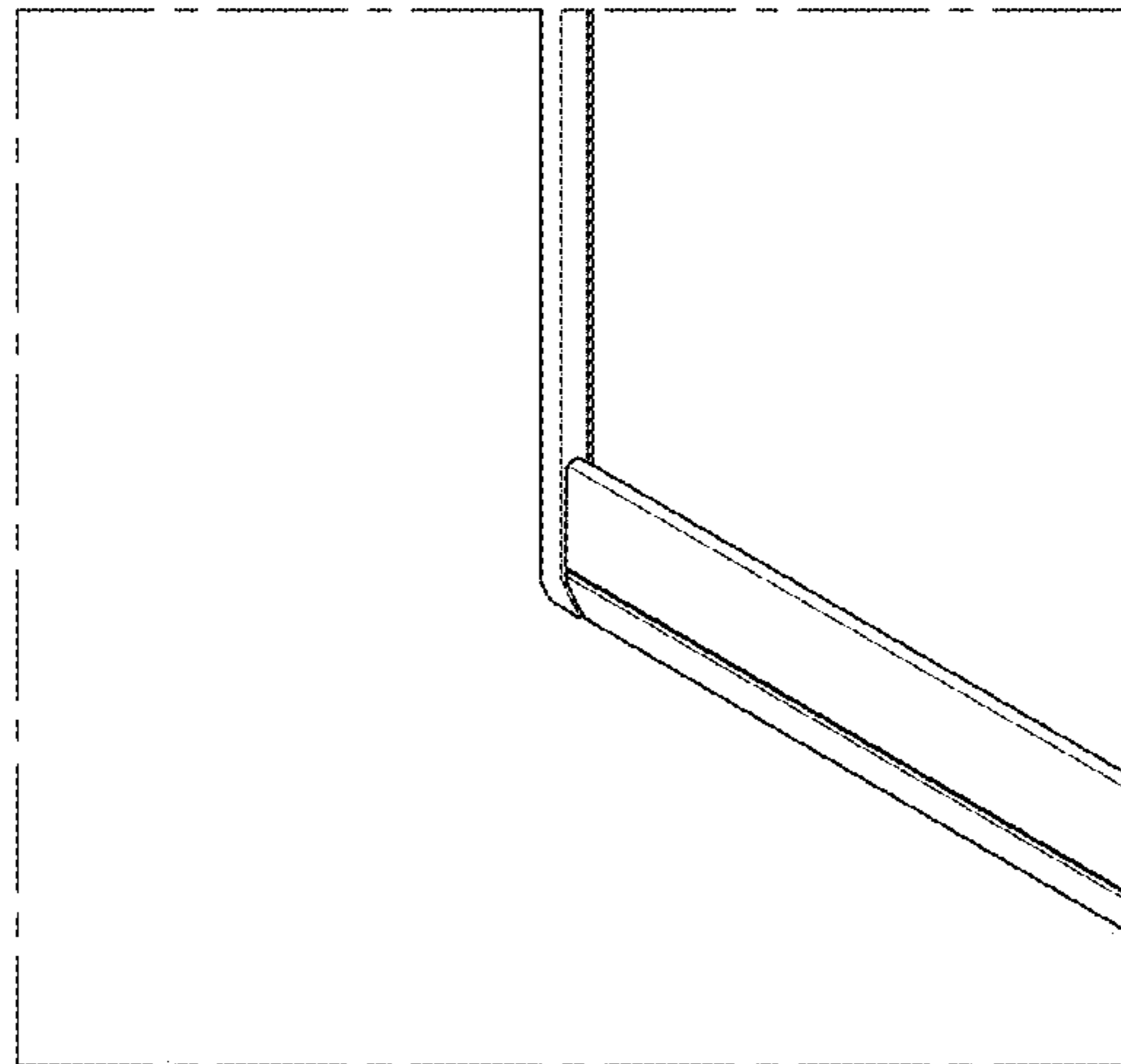
1.8



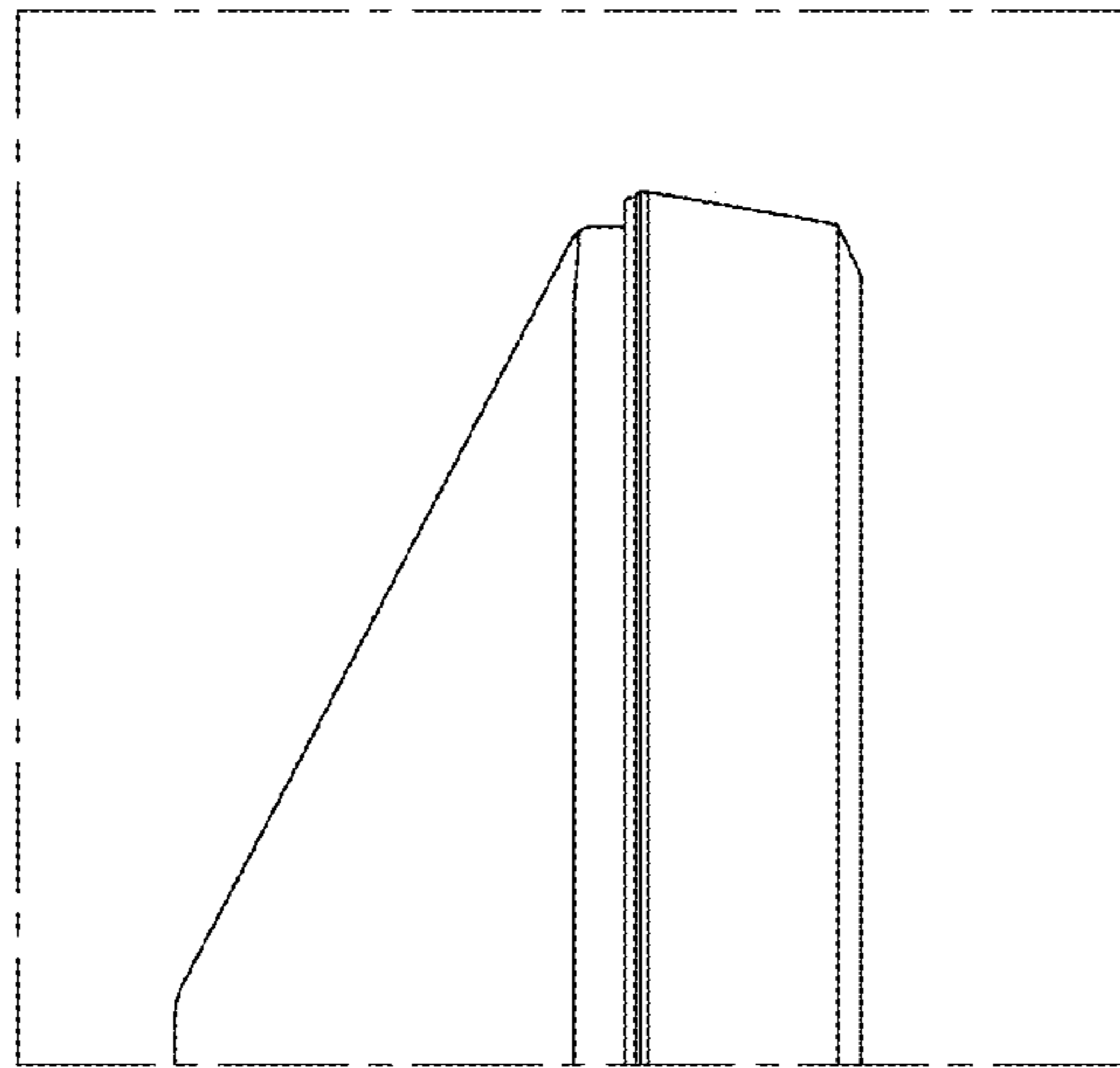
1.9



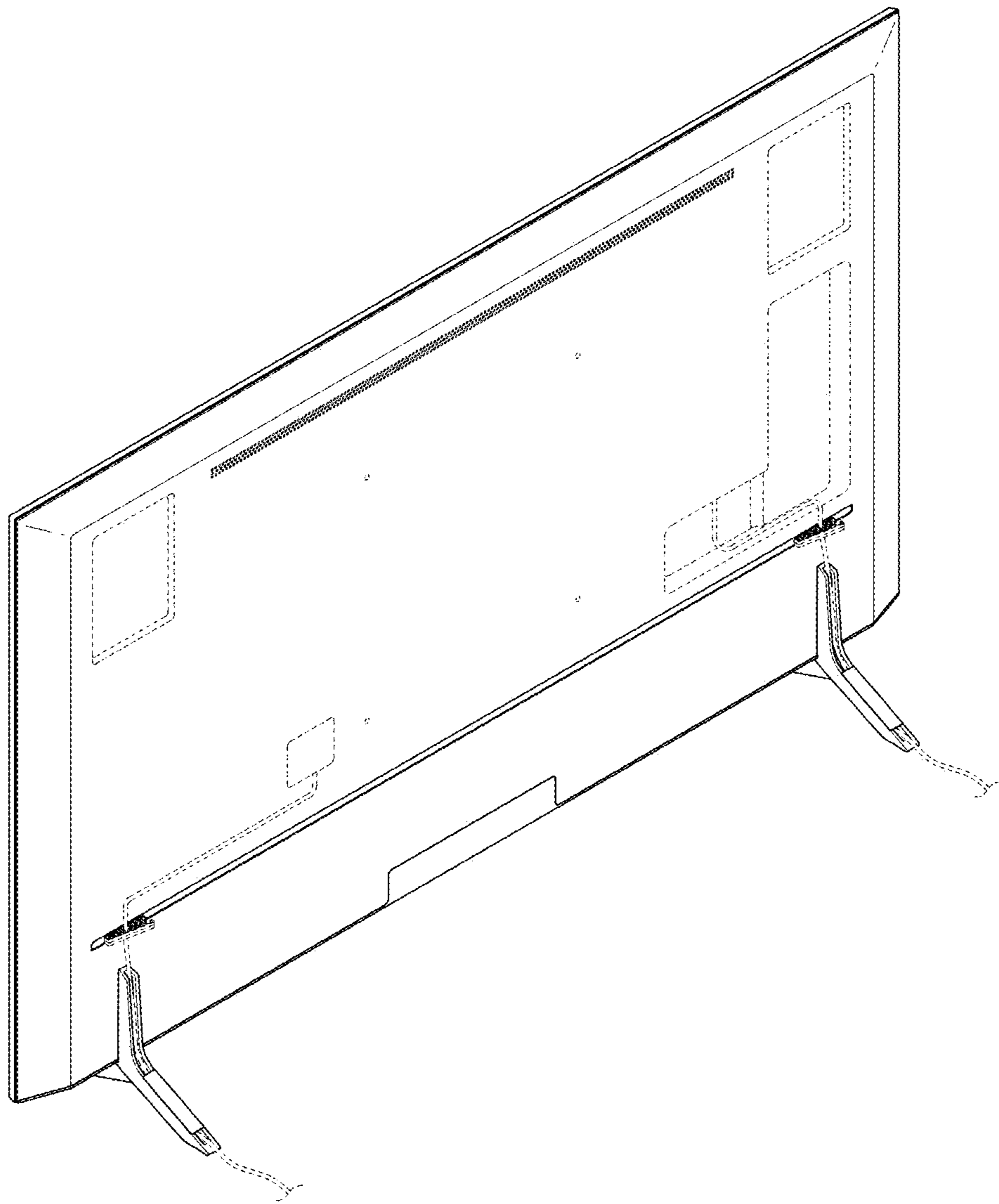
1.10



1.11



1.12



1.13

