

US00D966211S

(12) **United States Design Patent**  
**Kim et al.**

(10) **Patent No.:** **US D966,211 S**  
(45) **Date of Patent:** **\*\* Oct. 11, 2022**

(54) **TELEVISION SET**

(71) Applicant: **LG DISPLAY CO., LTD.**, Seoul (KR)

(72) Inventors: **Inyoung Kim**, Paju-si (KR); **Dongkyu Yoon**, Paju-si (KR); **Jiwon Song**, Paju-si (KR)

(73) Assignee: **LG DISPLAY CO., LTD.**, Seoul (KR)

(\*\*) Term: **15 Years**

(21) Appl. No.: **29/759,419**

(22) Filed: **Nov. 23, 2020**

(30) **Foreign Application Priority Data**

Jun. 29, 2020 (KR) ..... 30-2020-0029627

(51) **LOC (13) Cl.** ..... **14-03**

(52) **U.S. Cl.**  
USPC ..... **D14/126**

(58) **Field of Classification Search**  
USPC ..... D14/126, 128, 129, 130, 132, 133, 159,  
D14/239, 307, 336, 371, 372, 374, 375,  
D14/376, 383, 448, 451, 496; D20/10,  
D20/18, 19, 21, 39; D16/241  
CPC .... G06F 1/1601; G06F 1/1605; G06F 1/1607;  
G06F 1/1637; G06F 1/1642; G06F 1/182;  
G06F 1/20; G06F 2200/1612; G06F  
3/0421; G06F 3/0428; G06F 3/0488;  
G06F 3/1446; H04N 5/64; H04N  
1/00522; H05K 7/18; H05K 7/183; H05K  
7/186; A47B 81/064; A47B 51/00; A47B  
21/0073

See application file for complete search history.

(56) **References Cited**

**U.S. PATENT DOCUMENTS**

D95,588 S \* 5/1935 Holsman ..... D20/10  
D96,182 S \* 7/1935 Hammer ..... D34/17  
D319,230 S \* 8/1991 Sugiyama ..... D6/671.1

6,612,670 B2 \* 9/2003 Liu ..... A47B 97/00  
160/351  
D529,490 S \* 10/2006 Jackson, Jr. .... D14/371  
D567,535 S \* 4/2008 Hentschker ..... D6/675

(Continued)

**FOREIGN PATENT DOCUMENTS**

CN 1065339339 \* 3/2017

**OTHER PUBLICATIONS**

Televisions. (Design—© Questel) orbit.com. [online PDF of Foreign references] 92 pgs. Print Dates Range Nov. 13, 2020 through Dec. 10, 2021 [Retrieved May 19, 2022] <https://www.orbit.com/export/QPTUJ214/pdf2/d58783cb-79af-49b7-992c-5436242d465c-205819.pdf>.\*

*Primary Examiner* — Marie D. Fast Horse

(74) *Attorney, Agent, or Firm* — Birch, Stewart, Kolasch & Birch, LLP

(57) **CLAIM**

The ornamental design for a television set, as shown and described.

**DESCRIPTION**

FIG. 1 is a front, right perspective view of a television set showing our new design in which a display panel is entirely inserted into a cover case;  
FIG. 2 is a front thereof;  
FIG. 3 is a rear view thereof;  
FIG. 4 is a left side view thereof;  
FIG. 5 is a right side view thereof;  
FIG. 6 is a top plan view thereof;  
FIG. 7 is a bottom plan view thereof;  
FIG. 8 is a front, right perspective view of the television set in which the display panel is entirely moved upward;  
FIG. 9 is a front view thereof;  
FIG. 10 is a rear view thereof;  
FIG. 11 is a left side view thereof;  
FIG. 12 is a right side view thereof;  
FIG. 13 is a top plan view thereof; and,

(Continued)

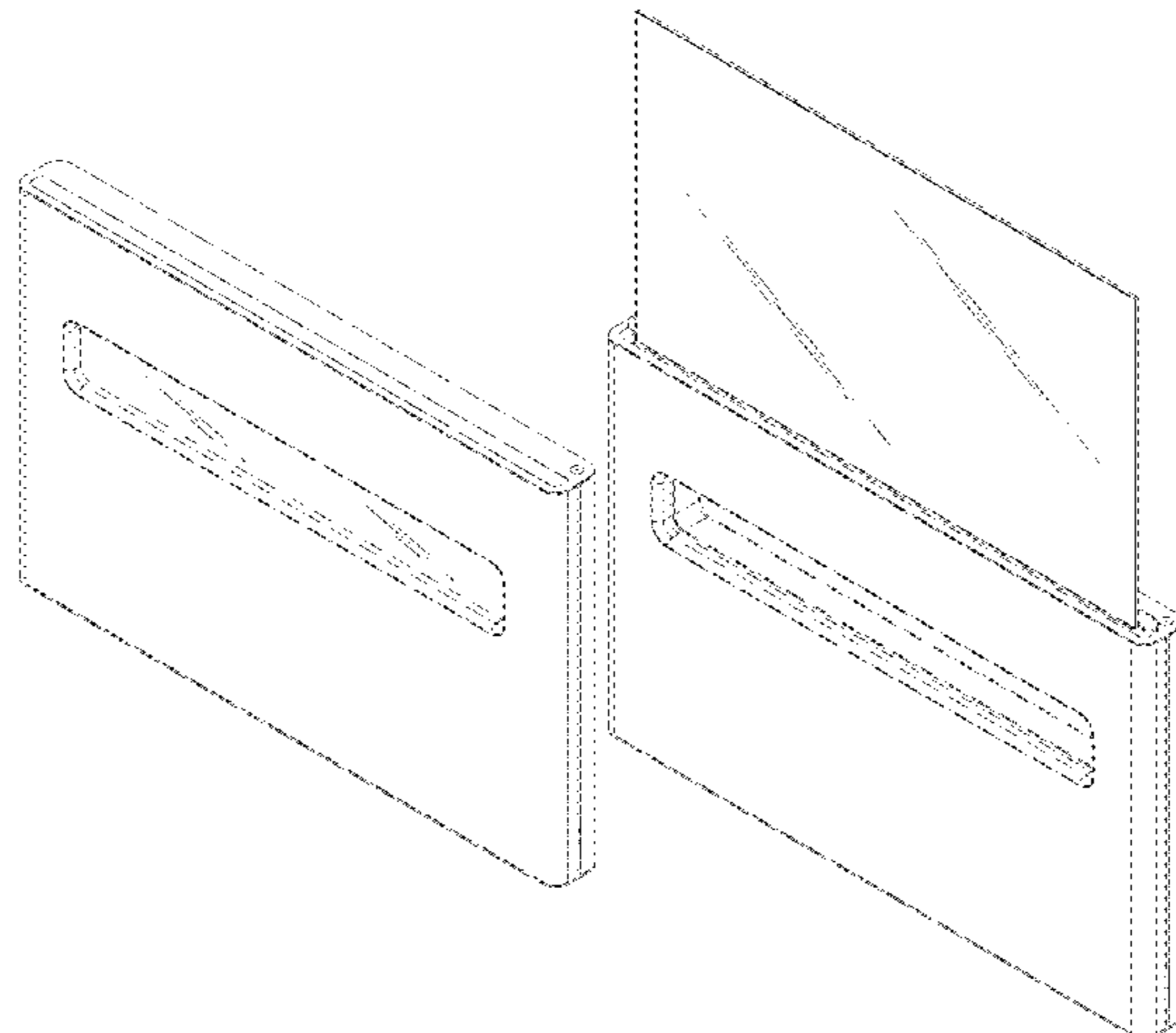


FIG. 14 is a bottom plan view thereof.

1 Claim, 12 Drawing Sheets

(56)

References Cited

U.S. PATENT DOCUMENTS

D590,643 S \* 4/2009 Domack ..... D6/702  
 D596,219 S \* 7/2009 Tatara ..... D16/241  
 D609,263 S \* 2/2010 Tatara ..... D16/241  
 D613,080 S \* 4/2010 Tsuchiyama ..... D6/332  
 D652,213 S \* 1/2012 Garner ..... D3/273  
 D711,473 S \* 8/2014 Giglio ..... D21/329  
 D715,799 S \* 10/2014 Ozolins ..... D14/374  
 D719,120 S \* 12/2014 Park ..... D14/126  
 D729,293 S \* 5/2015 Lewis ..... D15/199  
 D729,754 S \* 5/2015 Vats ..... D14/126  
 D736,168 S \* 8/2015 Kim ..... D14/126  
 D744,446 S \* 12/2015 Kim ..... D14/126  
 D750,583 S \* 3/2016 Lee ..... D14/126  
 D757,671 S \* 5/2016 Bouroullec ..... D14/126  
 D759,611 S \* 6/2016 Kim ..... D14/126  
 D761,220 S \* 7/2016 Kim ..... D14/126  
 D761,747 S \* 7/2016 Kim ..... D14/126  
 D776,072 S \* 1/2017 Kim ..... D14/126  
 D779,446 S \* 2/2017 Bouroullec ..... D14/126  
 D799,852 S \* 10/2017 Pena ..... D6/515  
 D808,668 S \* 1/2018 Tsuchiyama ..... D6/664  
 D810,037 S \* 2/2018 Won ..... D14/126  
 D813,832 S \* 3/2018 Kim ..... D14/126  
 D818,977 S \* 5/2018 Kim ..... D14/126  
 D824,708 S \* 8/2018 Yamamoto ..... D6/714  
 D824,868 S \* 8/2018 Chong ..... D14/126  
 D827,600 S \* 9/2018 Lammens ..... D14/371  
 D831,599 S \* 10/2018 Chong ..... G06F 1/1601  
 D860,963 S \* 9/2019 Jeon ..... D14/126  
 D875,698 S \* 2/2020 Kang ..... D14/126  
 D883,244 S \* 5/2020 Kim ..... D14/129  
 D887,379 S \* 6/2020 Cha ..... D14/126  
 D887,380 S \* 6/2020 Lee ..... D14/126

D895,563 S \* 9/2020 Cha ..... D14/126  
 D896,193 S \* 9/2020 Cha ..... D14/126  
 D901,408 S \* 11/2020 Kim ..... D14/126  
 D901,409 S \* 11/2020 Kim ..... D14/126  
 D901,410 S \* 11/2020 Kim ..... D14/126  
 D901,411 S \* 11/2020 Kim ..... D14/126  
 D911,993 S \* 3/2021 Kim ..... D14/126  
 D912,637 S \* 3/2021 Lee ..... D14/126  
 D915,316 S \* 4/2021 Cha ..... D14/126  
 D918,854 S \* 5/2021 Pyo ..... D14/126  
 D930,557 S \* 9/2021 Song ..... D12/415  
 D930,558 S \* 9/2021 Song ..... D12/415  
 D930,559 S \* 9/2021 Diboine ..... D12/415  
 D930,604 S \* 9/2021 Pyo ..... D14/126  
 D934,825 S \* 11/2021 Pyo ..... D14/126  
 D938,376 S \* 12/2021 Gaytandjiev ..... D14/126  
 D938,392 S \* 12/2021 Park ..... D14/217  
 D938,393 S \* 12/2021 Park ..... D14/217  
 D938,394 S \* 12/2021 Park ..... D14/217  
 D938,395 S \* 12/2021 Park ..... D14/217  
 D938,396 S \* 12/2021 Kim ..... D14/217  
 D938,951 S \* 12/2021 Wakata ..... D14/374  
 D941,265 S \* 1/2022 Kim ..... D14/217  
 D943,541 S \* 2/2022 Jin ..... D14/126  
 D949,810 S \* 4/2022 Jeon ..... D14/126  
 D949,811 S \* 4/2022 Jeon ..... D14/126  
 D949,812 S \* 4/2022 Jeon ..... D14/126  
 2005/0057129 A1 \* 3/2005 Bober ..... A47B 51/00  
 348/E5.128  
 2005/0248243 A1 \* 11/2005 Bober ..... A47B 81/064  
 348/E5.128  
 2006/0261714 A1 \* 11/2006 Hazzard ..... A47B 81/064  
 312/319.8  
 2007/0035671 A1 \* 2/2007 Ryu ..... H04N 5/64  
 348/794  
 2008/0078897 A1 \* 4/2008 Smith ..... A47B 81/064  
 248/218.4  
 2012/0194750 A1 \* 8/2012 Carr ..... H04N 5/64  
 348/E5.132  
 2013/0257236 A1 \* 10/2013 Head ..... A47B 81/064  
 312/204  
 2021/0158727 A1 \* 5/2021 Choi ..... G06F 1/1601

\* cited by examiner

FIG. 1

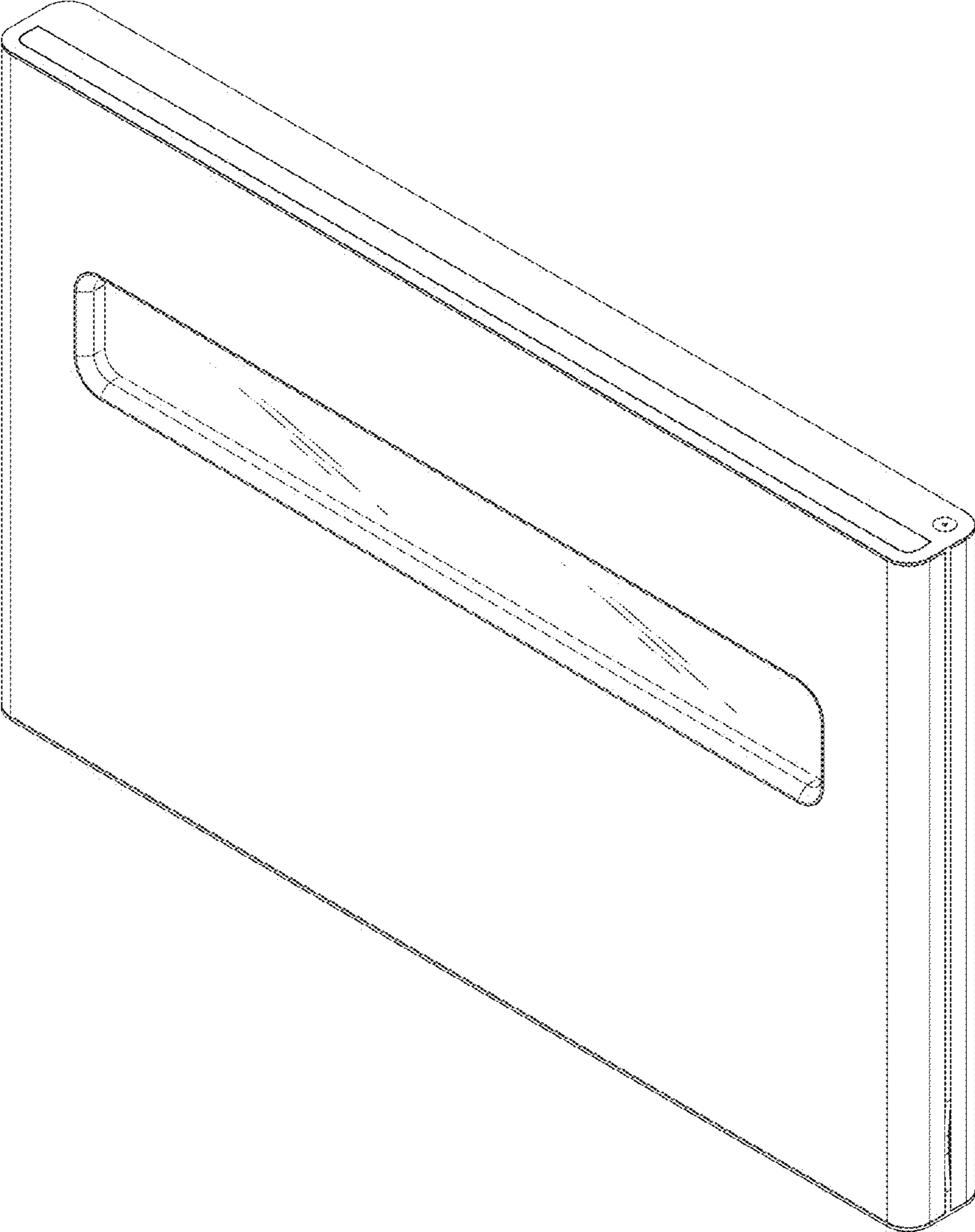


FIG. 2

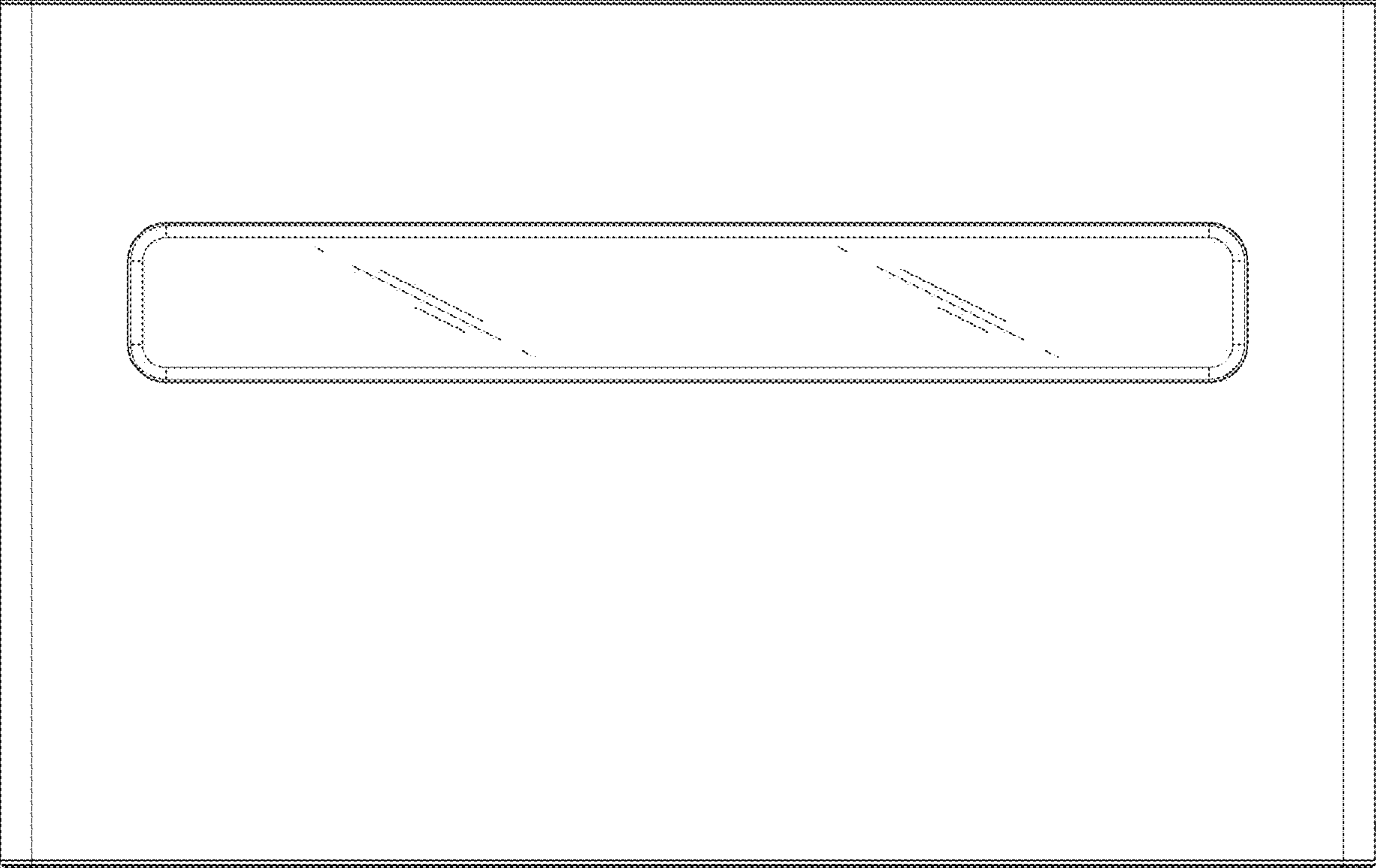
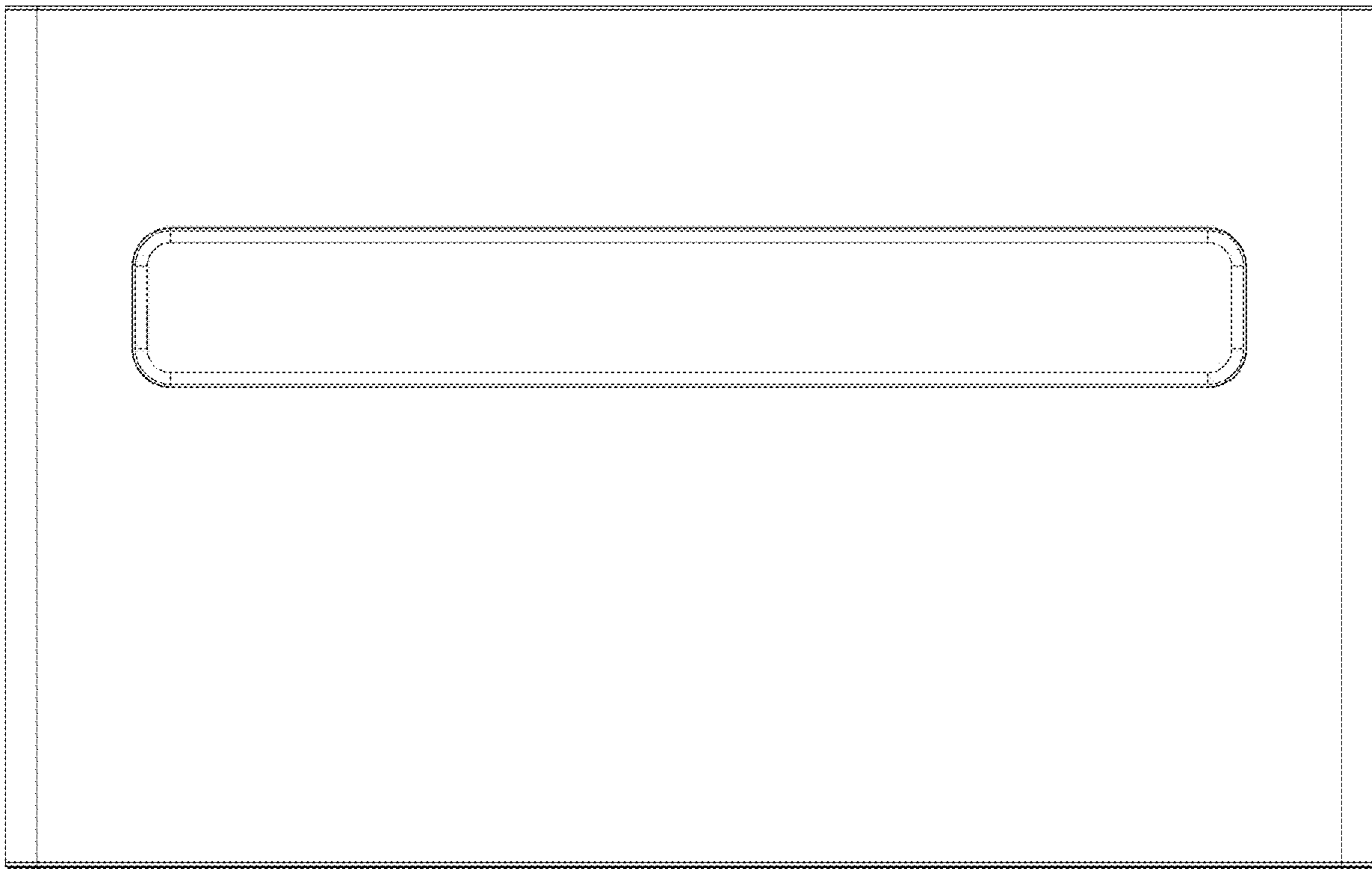
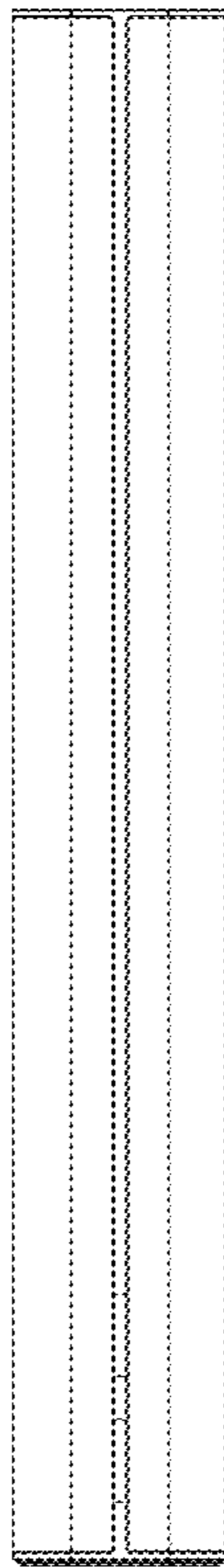




FIG. 3



**FIG. 4**



**FIG. 5**

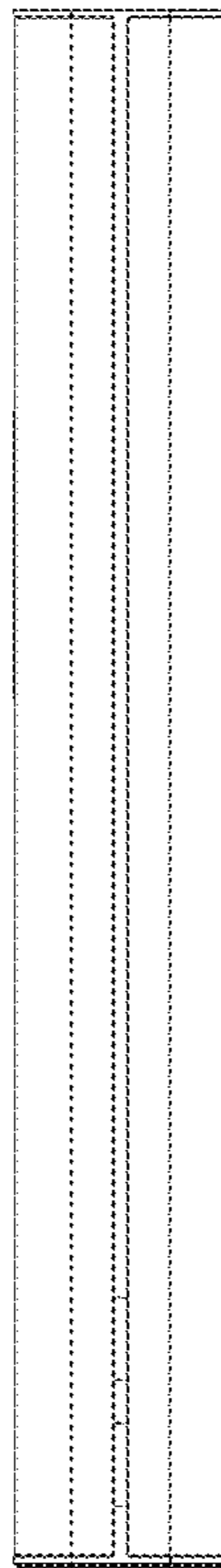


FIG. 6

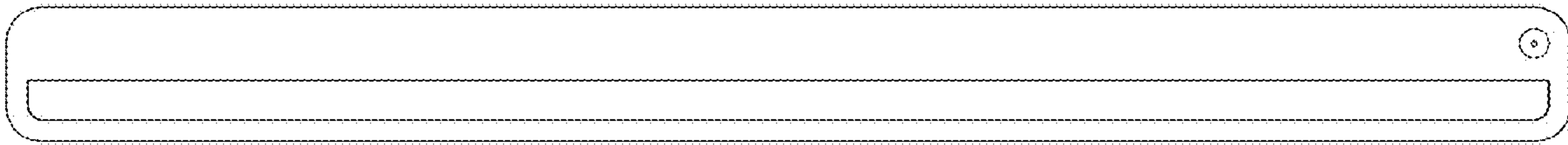


FIG. 7

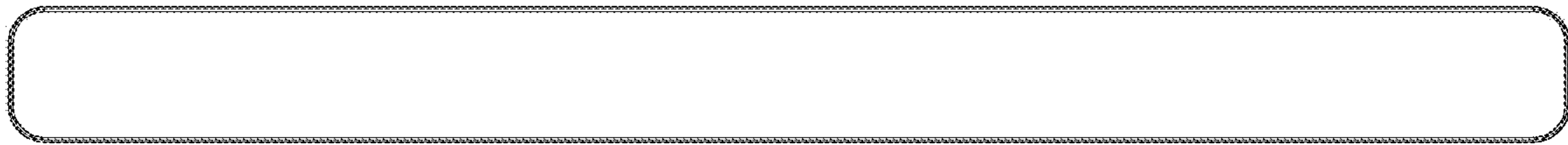




FIG. 8

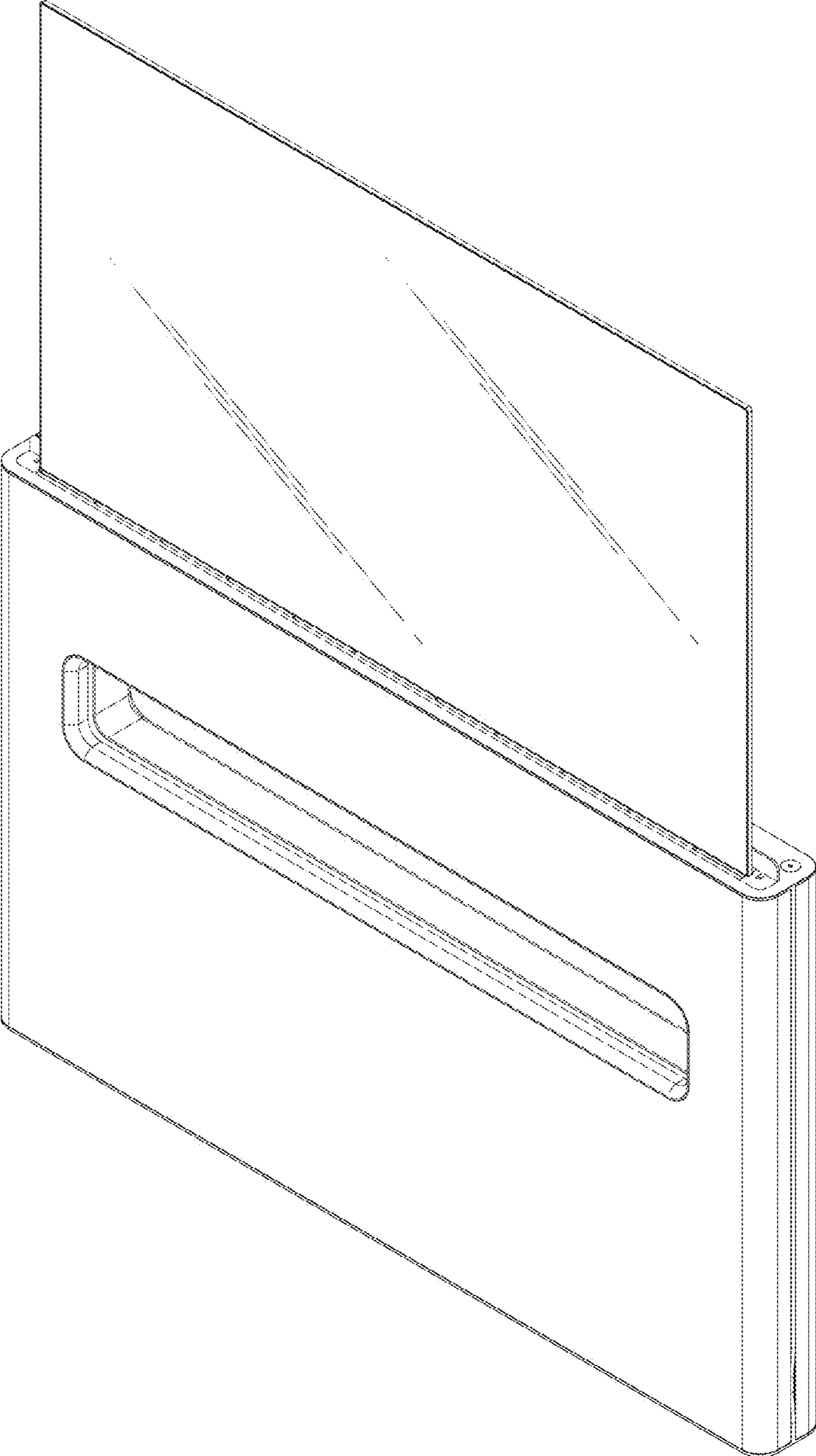


FIG. 9

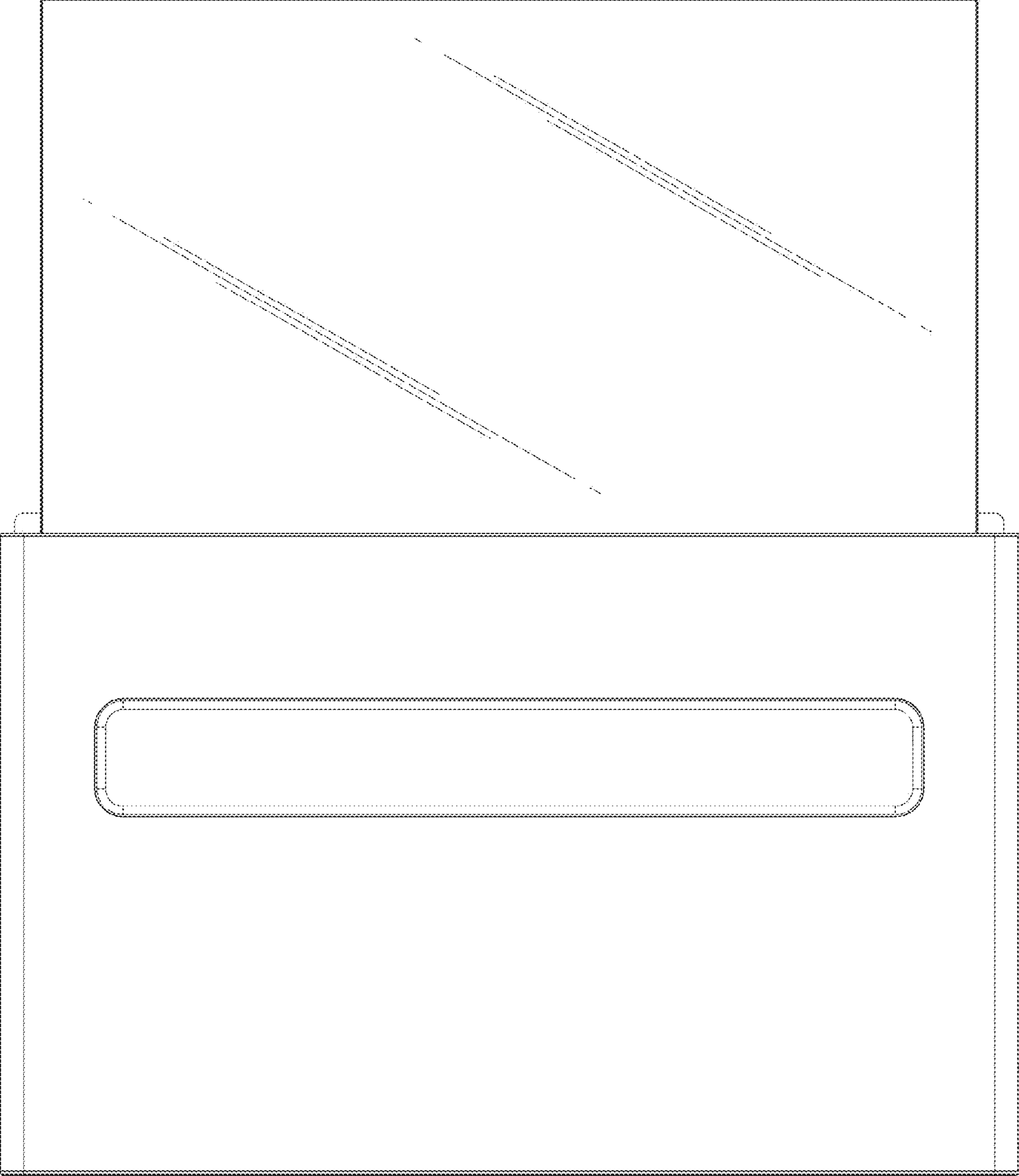
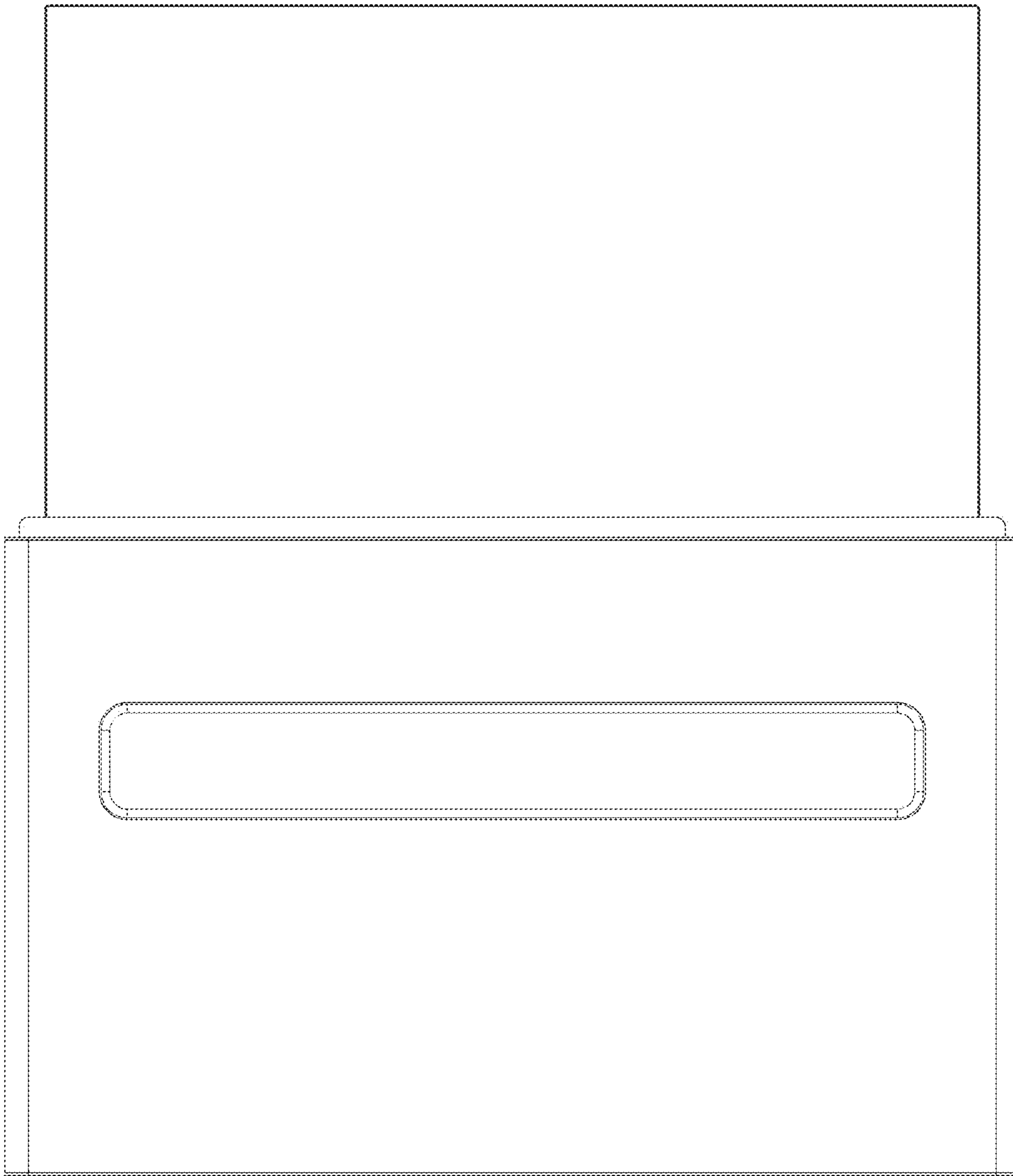


FIG. 10



**FIG. 11**

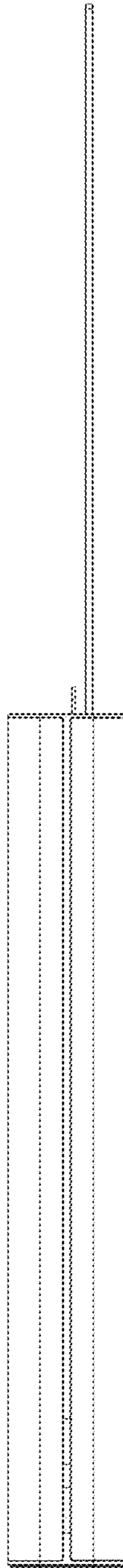


FIG. 12

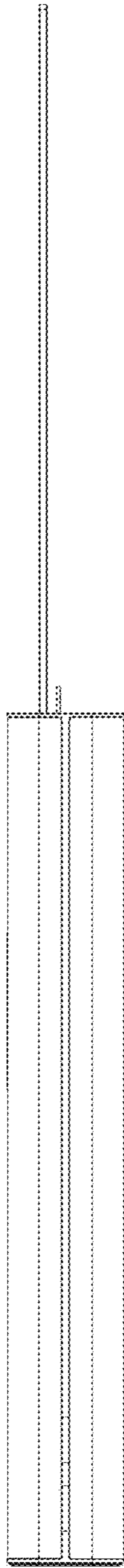


FIG. 13

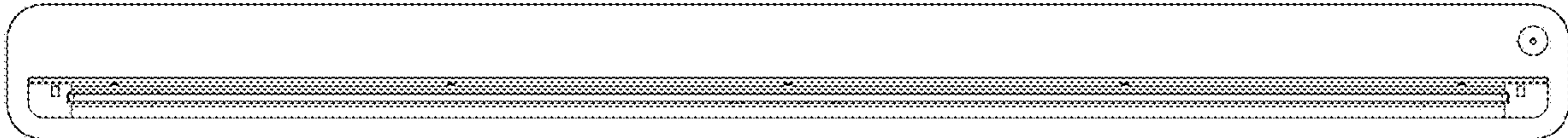


FIG. 14

