

US00D966207S

(12) **United States Design Patent** (10) **Patent No.:** **US D966,207 S**
Coverstone et al. (45) **Date of Patent:** **** Oct. 11, 2022**

(54) **LIGHT-EMITTING DIODE ARRAY**

(71) Applicant: **STAR CO Scientific Technologies
Advanced Research Co, LLC,**
Longview, TX (US)

(72) Inventors: **Thomas E. Coverstone,** Longview, TX
(US); **Jason Montgomery,** Longview,
TX (US); **Taylor Buscher,** Longview,
TX (US)

(73) Assignee: **STAR CO Scientific Technologies
Advanced Research Co, LLC,**
Longview, TX (US)

(**) Term: **15 Years**

(21) Appl. No.: **29/706,754**

(22) Filed: **Sep. 23, 2019**

(51) **LOC (13) Cl.** **13-03**

(52) **U.S. Cl.**
USPC **D13/180**

(58) **Field of Classification Search**
USPC D13/180; D26/1
CPC ... H01L 25/167; H01L 25/0753; H01L 27/15;
H01L 27/156; H01L 31/02; H01L 33/00;
H01L 33/04; H01L 33/08; H01L 33/10;
H01L 33/20; H01L 33/38; H01L 33/42;
H01L 33/48; H01L 33/483; H01L 33/486
See application file for complete search history.

(56) **References Cited**

U.S. PATENT DOCUMENTS

D515,224	S	*	2/2006	Egawa	D26/1
D515,715	S	*	2/2006	Egawa	D26/1
D621,804	S	*	8/2010	Sip	D13/182
D642,995	S	*	8/2011	Lin	D13/180
D740,239	S	*	10/2015	Amini	D13/180
D869,694	S	*	12/2019	Verfuerrth	D26/1
2015/0221619	A1	*	8/2015	Rhee	H01L 27/1248 257/89

2015/0349218	A1	*	12/2015	Reiherzer	H01L 33/56 257/88
2016/0371047	A1	*	12/2016	Cope	H01L 23/4985
2017/0186927	A1	*	6/2017	Naka	H01L 33/62
2017/0336677	A1	*	11/2017	Ajichi	G02F 1/133609
2017/0358478	A1	*	12/2017	Thothadri	H05K 13/0069
2018/0226384	A1	*	8/2018	Park	G09F 9/33
2018/0247844	A1	*	8/2018	Deng	H01L 33/56
2019/0094618	A1	*	3/2019	Kyookane	H01L 25/0753
2019/0115274	A1	*	4/2019	Hu	H01L 23/3192
2019/0181060	A1	*	6/2019	Pappas	H01L 22/22
2020/0013759	A1	*	1/2020	Yoo	H01L 25/0753
2020/0025346	A1	*	1/2020	Mizobe	B64F 1/20

(Continued)

Primary Examiner — Selina Sikder

(74) *Attorney, Agent, or Firm* — McAndrews Held & Malloy, Ltd.

(57) **CLAIM**

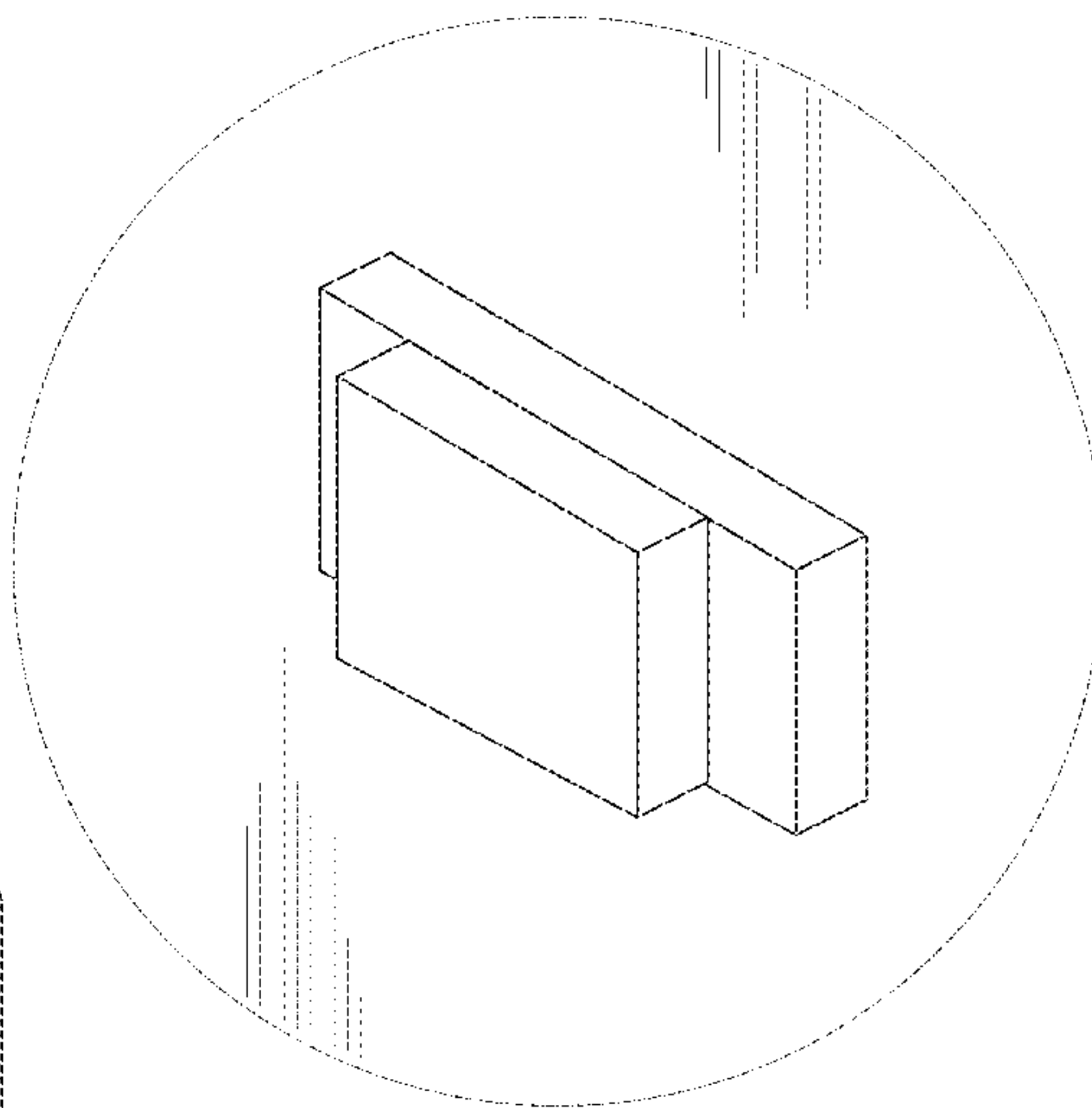
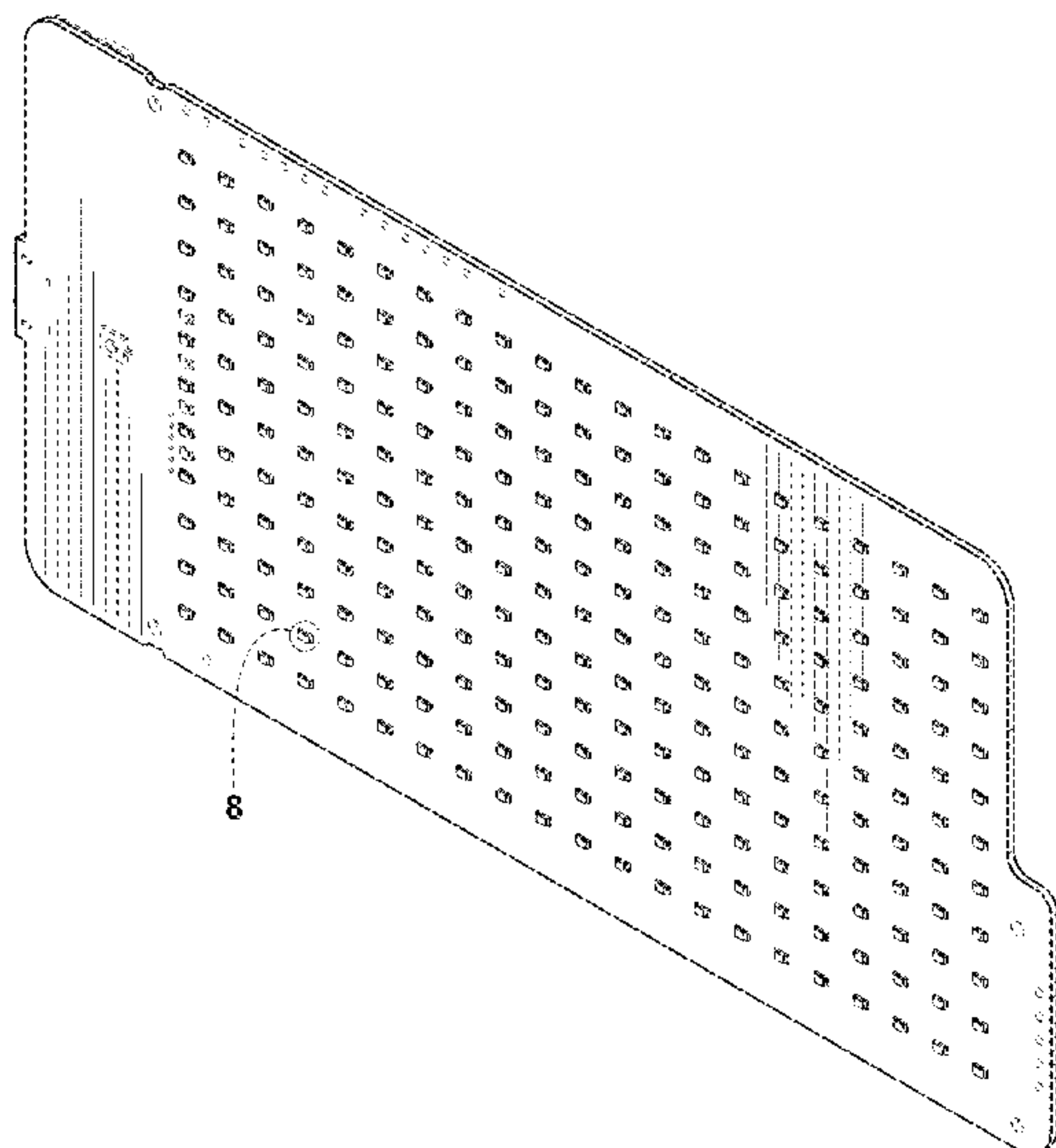
The ornamental design for a light-emitting diode array, as shown and described.

DESCRIPTION

FIG. 1 is a front perspective view of a light-emitting diode array showing our new design;
FIG. 2 is a front elevation view thereof;
FIG. 3 is a rear elevation view thereof;
FIG. 4 is a right side elevation view thereof;
FIG. 5 is a left side elevation view thereof;
FIG. 6 is a top plan view thereof;
FIG. 7 is a bottom plan view thereof; and,
FIG. 8 is an enlarged view of the portion 8 encircled in FIG. 1.

The dashed broken lines in the figures depict portions of the light-emitting diode array that form no part of the claimed design. The dot-dash broken lines in the figures encircle/delineate portions of the claimed design that are illustrated in enlargements. The dot-dash broken lines form no part of the claimed design.

1 Claim, 5 Drawing Sheets



(56)

References Cited

U.S. PATENT DOCUMENTS

2020/0072441 A1* 3/2020 Wu F21V 9/30
2020/0176286 A1* 6/2020 Rotzoll H01L 25/04
2020/0203322 A1* 6/2020 Perez-Bravo H01L 33/52
2020/0411717 A1* 12/2020 Keates H01L 33/0075
2021/0210471 A1* 7/2021 Lee H01L 33/62
2021/0223629 A1* 7/2021 Tsuzuki C09J 7/243
2021/0225930 A1* 7/2021 Cho H01L 33/08
2021/0262621 A1* 8/2021 Eom F21V 13/08
2021/0272510 A1* 9/2021 Huitema G09G 3/2003
2021/0296548 A1* 9/2021 Hayashi H01L 25/0753

* cited by examiner

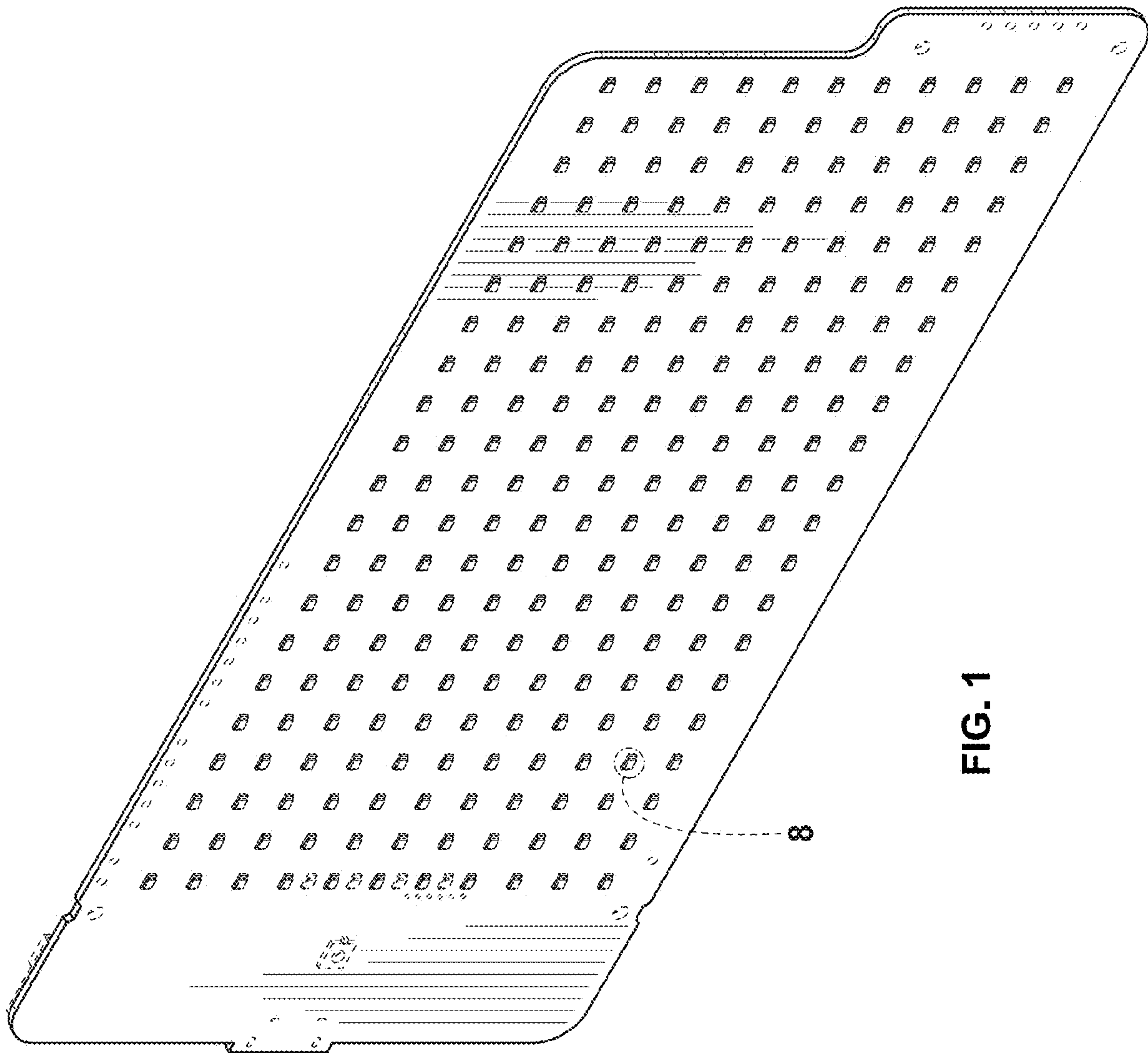


FIG. 1

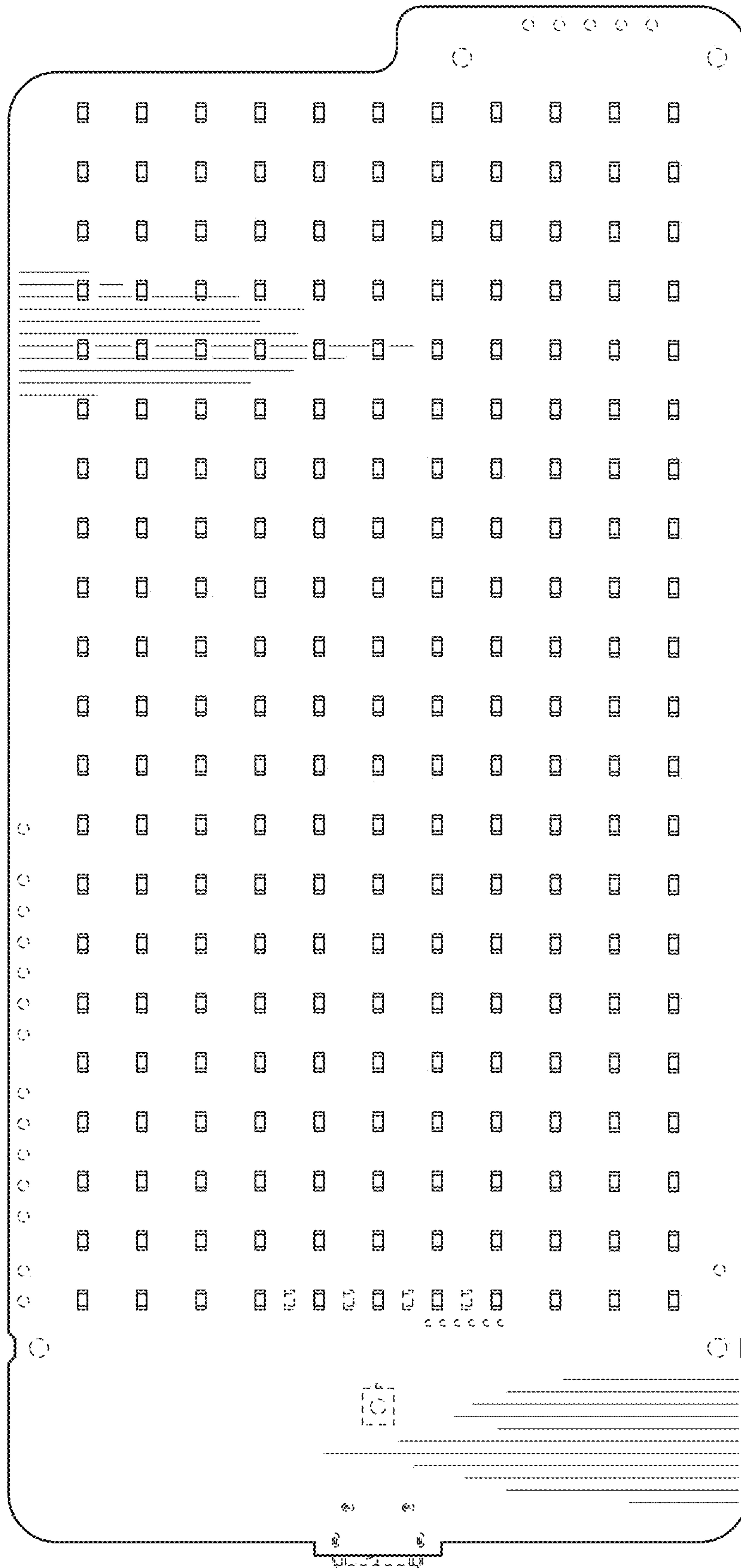


FIG. 2

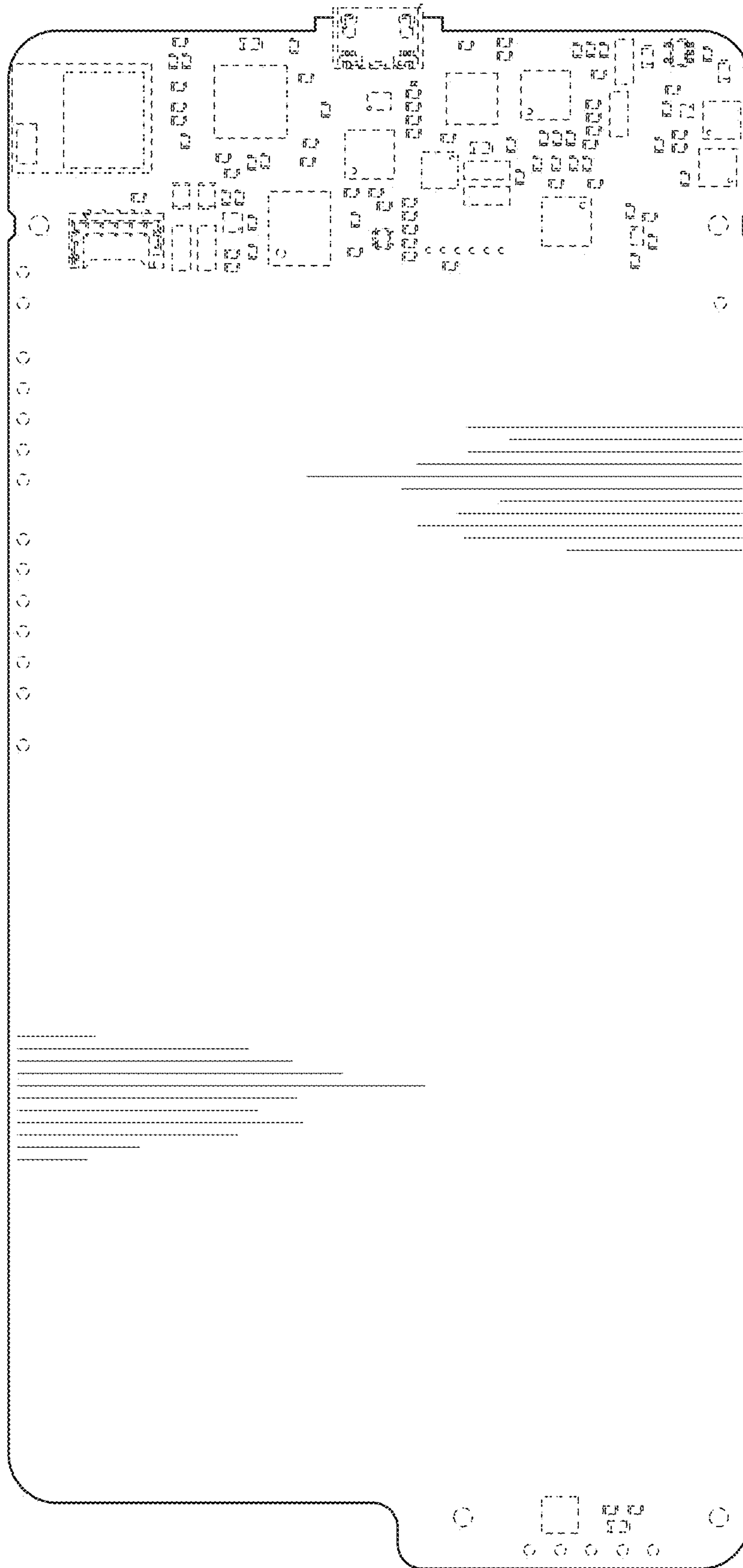


FIG. 3

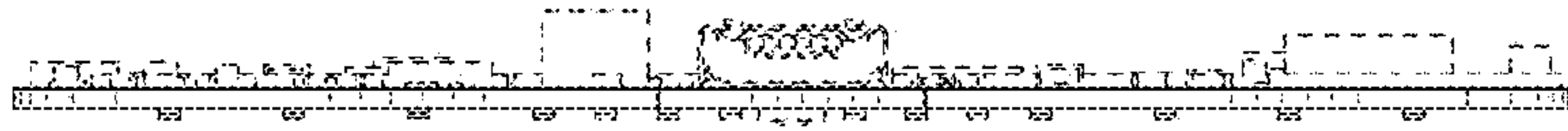


FIG. 4

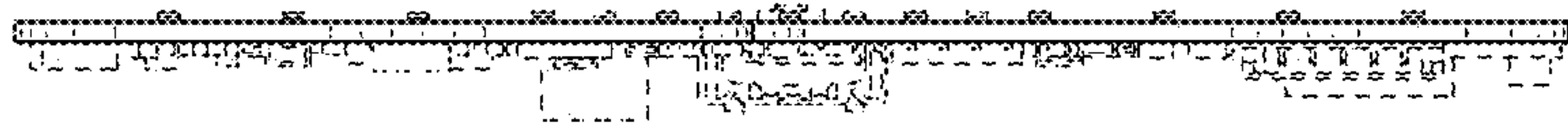


FIG. 5

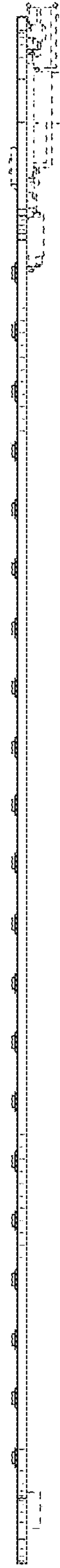


FIG. 6



FIG. 7

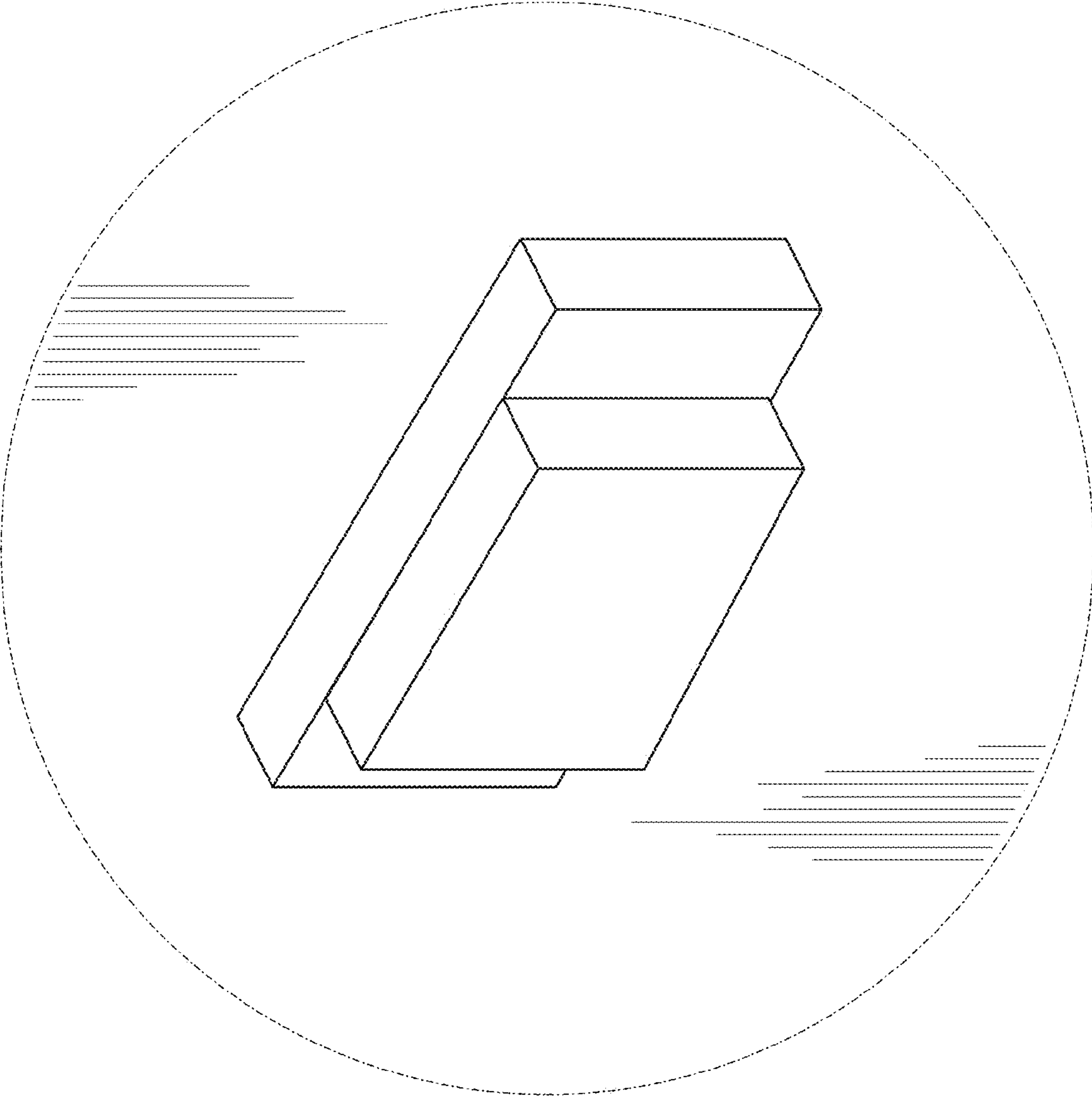


FIG. 8