



US00D966206S

(12) **United States Design Patent**  
**Zuniga**

(10) **Patent No.:** **US D966,206 S**  
(45) **Date of Patent:** **\*\* Oct. 11, 2022**

(54) **TOGGLE SWITCH**

FOREIGN PATENT DOCUMENTS

(71) Applicant: **Melissa Zuniga**, Brooklyn Park, MN (US)

CN WO 2019/213523 \* 7/2019 ..... H01H 21/025

(72) Inventor: **Melissa Zuniga**, Brooklyn Park, MN (US)

OTHER PUBLICATIONS

(73) Assignee: **Melissa Zuniga**, Brooklyn Park, MN (US)

GE 14292 Z-Wave Plus in-Wall Smart Lighting Control Smart Toggle Switch; Feb. 26, 2017; 2 pgs; <https://www.amazon.com/GE-Repeater-Required-Works-SmartThings-14292/dp/B06VYCFXT4>.\*

(\*\*) Term: **15 Years**

*Primary Examiner* — Selina Sikder

(21) Appl. No.: **29/788,070**

(74) *Attorney, Agent, or Firm* — Patterson Thuent Pedersen, P.A.

(22) Filed: **Mar. 5, 2021**

(57) **CLAIM**

(51) **LOC (13) Cl.** ..... **13-03**

What is claimed is the ornamental design for toggle switch, as shown and described.

(52) **U.S. Cl.**

USPC ..... **D13/174**

(58) **Field of Classification Search**

**DESCRIPTION**

USPC ..... D13/162, 168, 169, 173, 174

CPC ..... H01H 9/02; H01H 9/0271; H01H 9/16;

H01H 9/18; H01H 9/161; H01H 9/181;

H01H 9/182; H01H 13/04; H01H 13/14;

H01H 13/20; H01H 13/30; H01H 19/635;

H01H 83/02; H01H 83/04; H01H 83/144;

H01H 23/00; H01H 23/02; H01H 23/025;

H01H 23/04; H01H 23/145; H01H

23/148; H01H 23/205; H01H 23/30

See application file for complete search history.

FIG. 1 is a top left perspective view of a toggle switch.

FIG. 2 is a bottom right perspective view of the toggle switch depicted in FIG. 1.

FIG. 3 is a front elevational view of the toggle switch depicted in FIG. 1.

FIG. 4 is a rear elevational view of the toggle switch depicted in FIG. 1.

FIG. 5 is a top plan view of the toggle switch depicted in FIG. 1.

FIG. 6 is a bottom plan view of the toggle switch depicted in FIG. 1.

FIG. 7 is a right-side elevational view of the toggle switch depicted in FIG. 1.

FIG. 8 is a left-side elevational view of the toggle switch depicted in FIG. 1; and,

FIG. 9 is a top left perspective exploded view of the toggle switch depicted in FIG. 1.

The broken lines in the drawings illustrate portions of the toggle switch that form no part of the claimed design and may depict environmental subject matter only.

(56) **References Cited**

U.S. PATENT DOCUMENTS

2,134,696 A \* 11/1938 Bigman ..... H01H 23/025

362/95

2,512,975 A \* 6/1950 Sherrard ..... H01H 23/025

362/95

D174,525 S \* 4/1955 Bordner ..... D13/174

D248,933 S \* 8/1978 Lipten ..... D13/169

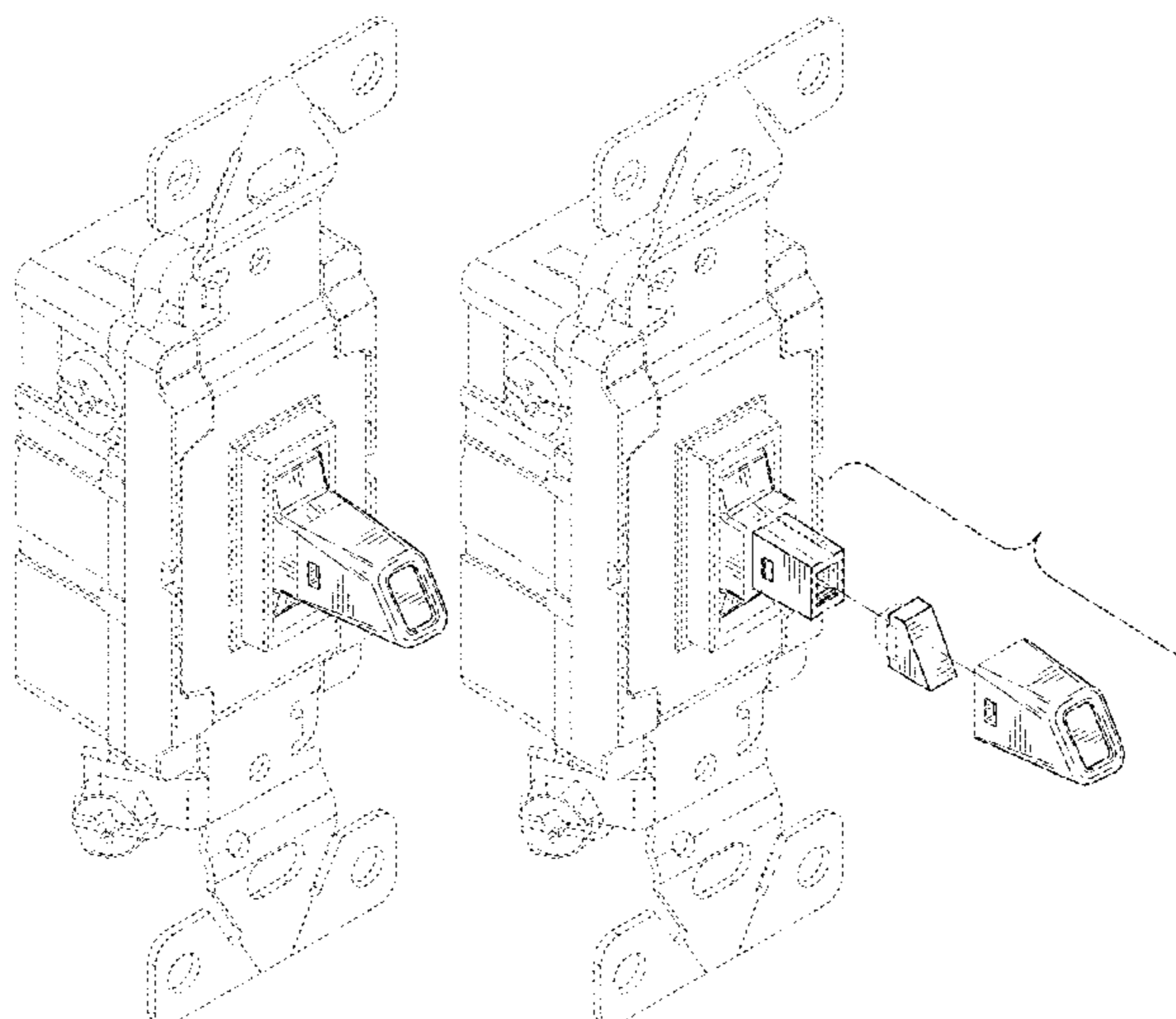
5,107,082 A \* 4/1992 Valenzona ..... H01H 23/025

361/736

D342,234 S \* 12/1993 Graybill, Jr. .... D13/169

(Continued)

**1 Claim, 9 Drawing Sheets**



(56)

**References Cited**

U.S. PATENT DOCUMENTS

8,205,996 B2 \* 6/2012 Combs ..... G09F 13/04  
362/23.04  
D772,175 S \* 11/2016 Lacey ..... D13/174  
D795,204 S \* 8/2017 Lacey ..... D13/169  
10,438,755 B1 \* 10/2019 Schultz, Sr. .... F24F 11/88  
2014/0097070 A1 \* 4/2014 McDonnell ..... H01H 9/18  
200/308  
2018/0137999 A1 \* 5/2018 Zuniga ..... H01H 23/025  
2021/0202188 A1 \* 7/2021 Benden ..... F21S 8/035  
2021/0383990 A1 \* 12/2021 Zuniga ..... H01H 21/22

\* cited by examiner

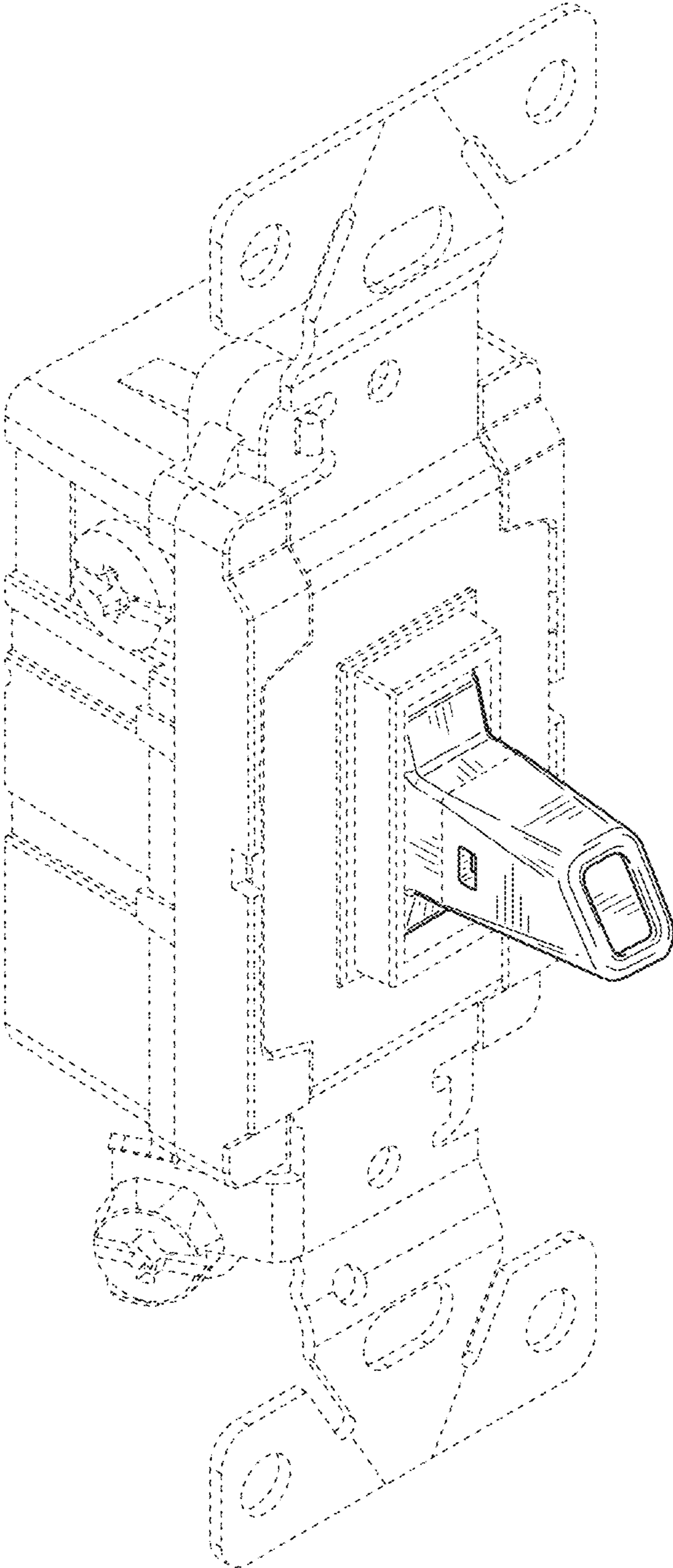


FIG. 1

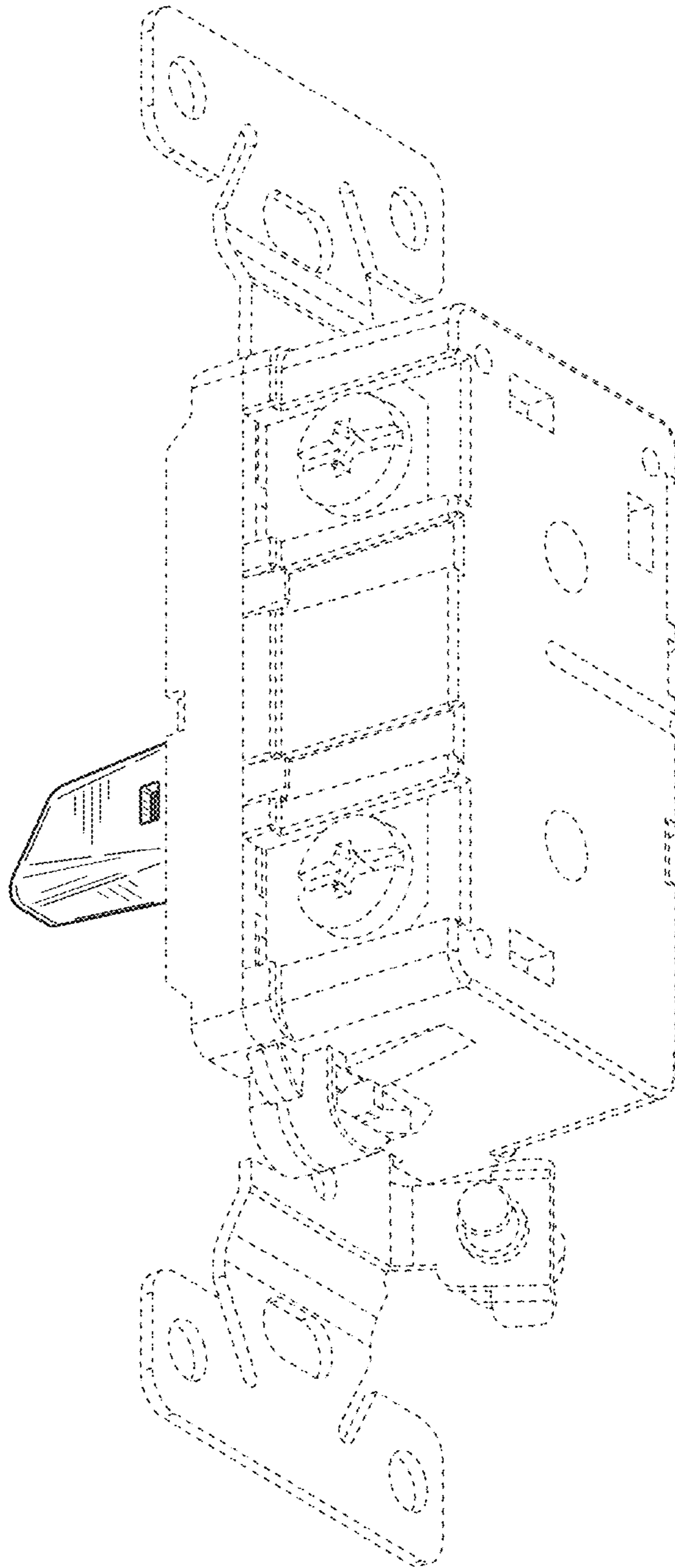


FIG. 2

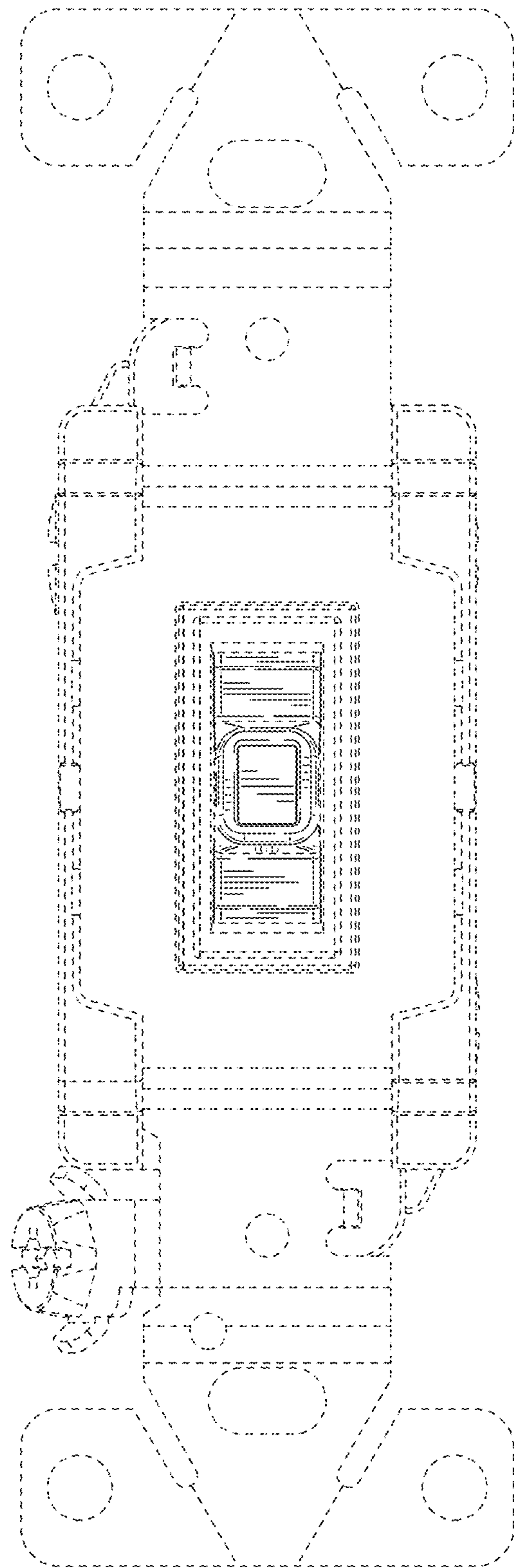


FIG. 3

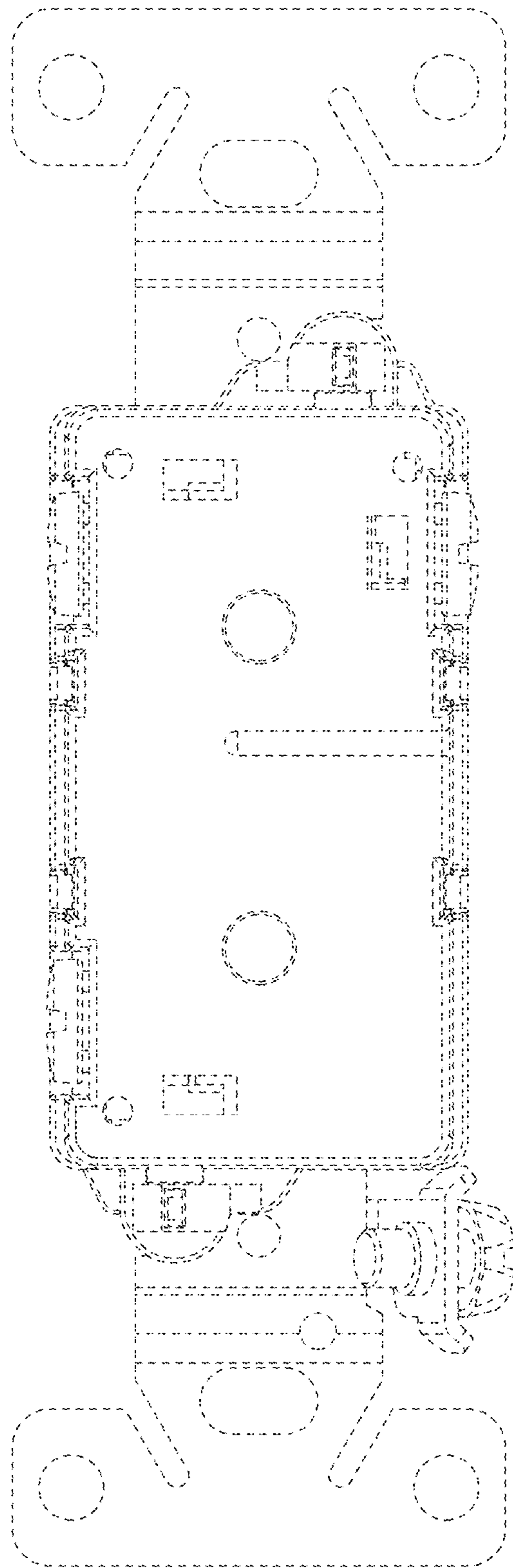


FIG. 4

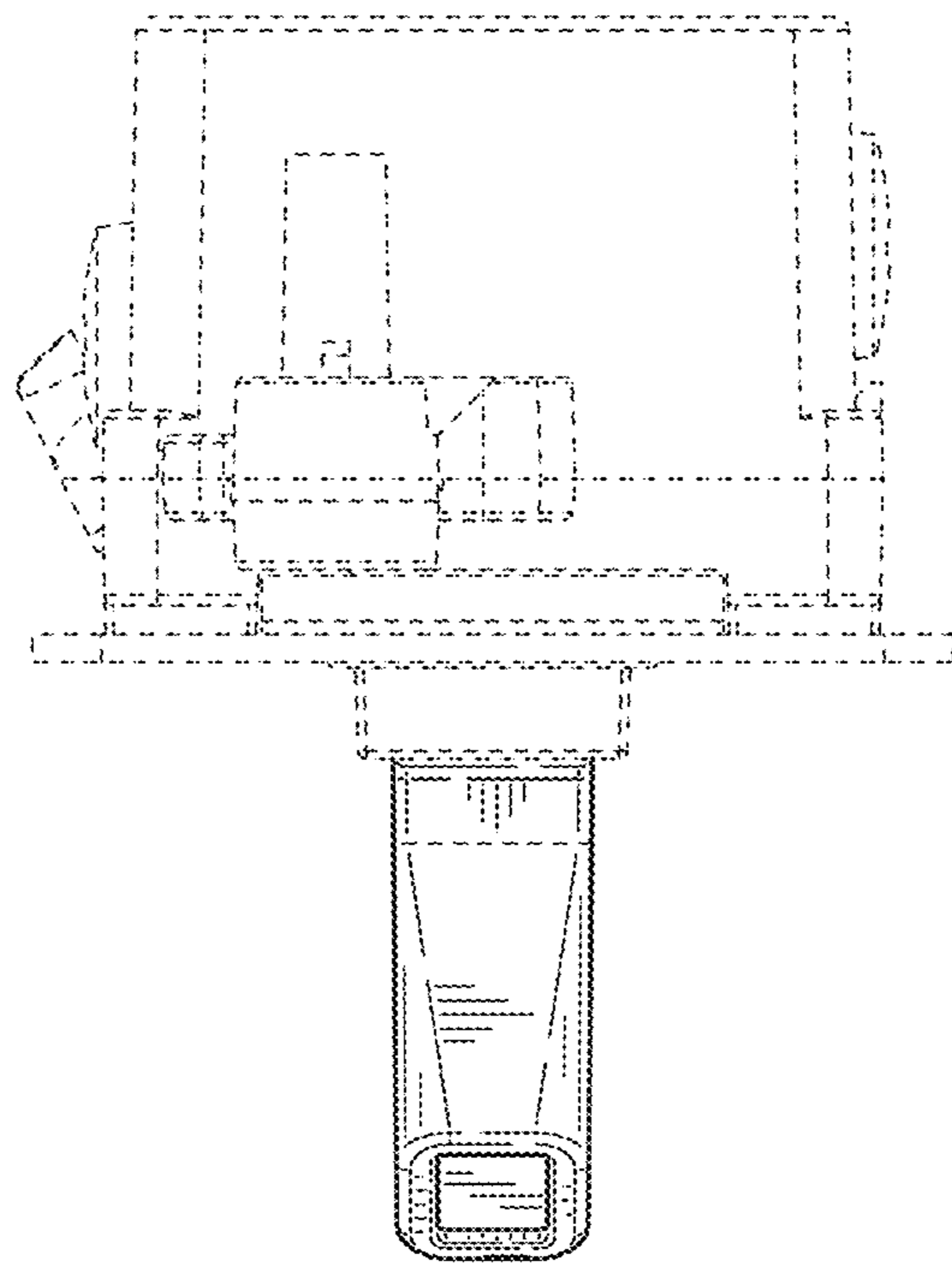


FIG. 5

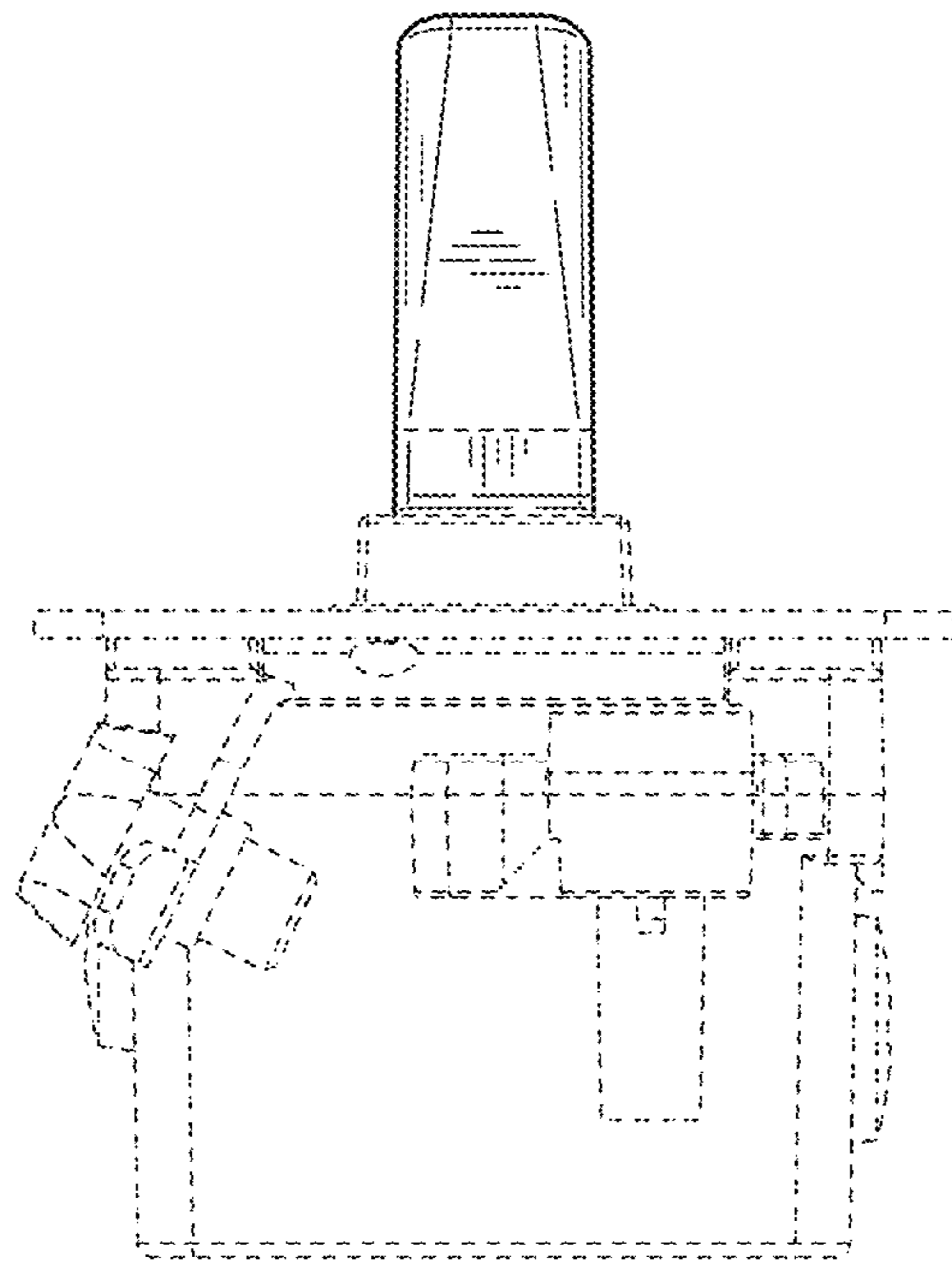


FIG. 6



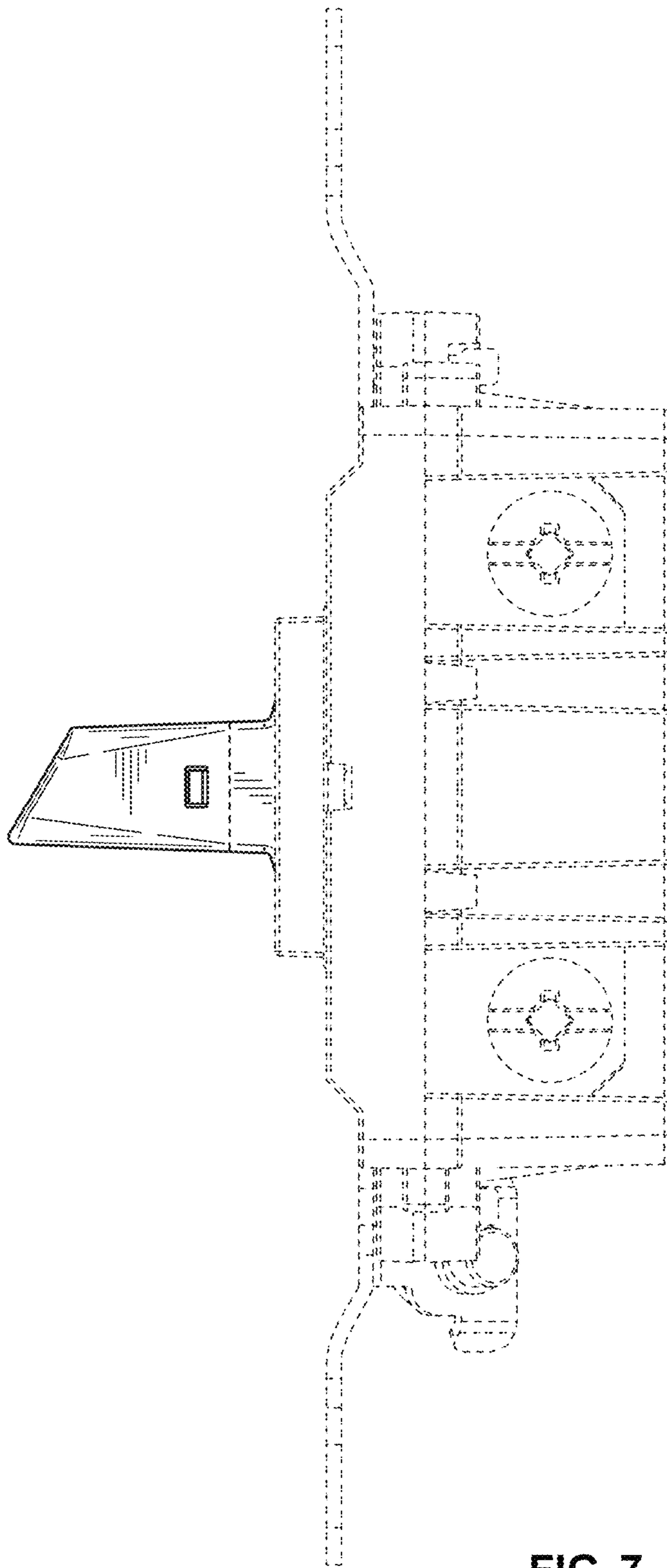


FIG. 7

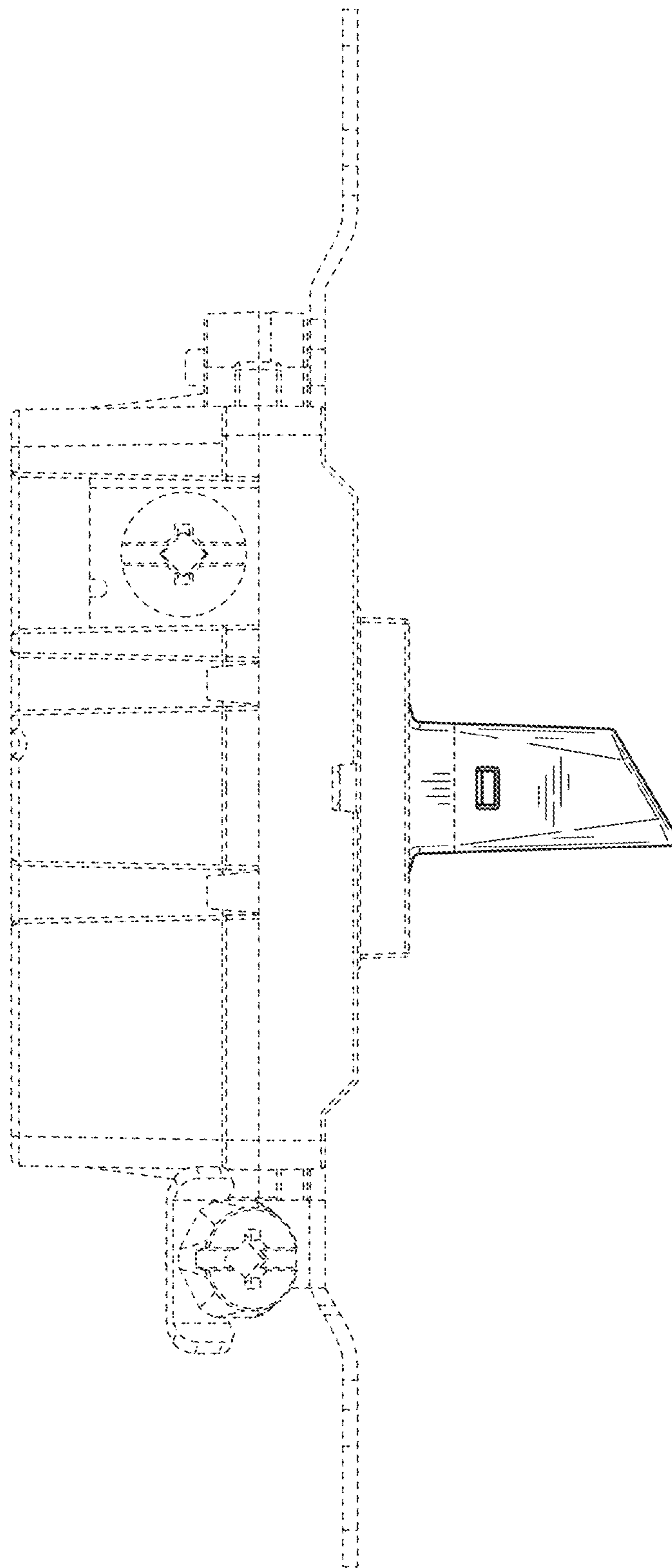


FIG. 8

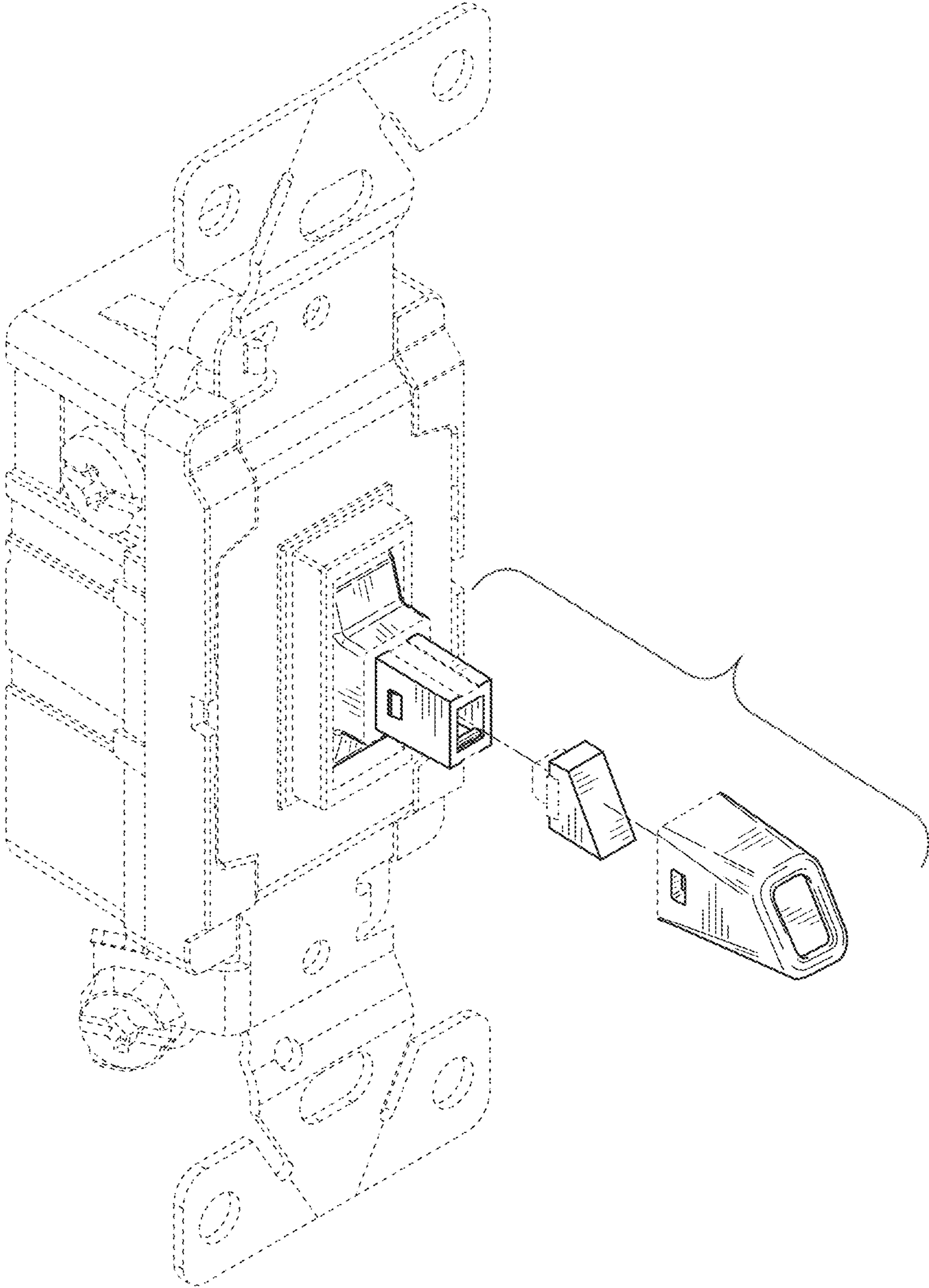


FIG. 9