

US00D966205S

(12) **United States Design Patent**
Chiu

(10) **Patent No.:** **US D966,205 S**
(45) **Date of Patent:** **** Oct. 11, 2022**

- (54) **MASSAGER CONTROLLER**
- (71) Applicant: **MASALIFE CO., Ltd.**, Taipei (TW)
- (72) Inventor: **Ka-Hong Chiu**, New Taipei (TW)
- (73) Assignee: **MASALIFE CO., LTD.**, Taipei (TW)
- (**) Term: **15 Years**
- (21) Appl. No.: **29/785,058**
- (22) Filed: **May 24, 2021**
- (30) **Foreign Application Priority Data**
Nov. 26, 2020 (TW) 109306663
- (51) **LOC (13) Cl.** **14-03**
- (52) **U.S. Cl.**
USPC **D13/168**
- (58) **Field of Classification Search**
USPC D13/162, 168; D14/218; D24/133, 138,
D24/200, 215
CPC G08C 17/02; G08C 19/00; G08C 19/12;
G08C 19/28; G08C 23/04; H04B 1/202;
H03J 9/00; H03J 9/02; H03J 9/04; H03J
9/06; H03J 1/0025; A47C 31/008; A61G
13/02; A61H 15/00; A61H 15/0078
See application file for complete search history.

- (56) **References Cited**
U.S. PATENT DOCUMENTS
D363,552 S * 10/1995 Teo D13/168
6,039,702 A * 3/2000 Cutler A61H 23/0263
601/57
6,117,094 A * 9/2000 Fujii A61H 39/04
601/102
D443,596 S * 6/2001 Ohkuma D13/168
D467,347 S * 12/2002 Yang D24/215
D533,516 S * 12/2006 Murata D13/168

D556,201 S *	11/2007	Ashida	D21/333
D584,696 S *	1/2009	Howman	D13/168
D611,477 S *	3/2010	Brunner	D14/412
D638,841 S *	5/2011	Musick, Jr.	D21/333
D776,091 S *	1/2017	Spio	D14/218
D790,483 S *	6/2017	Yoon	D13/168
D796,454 S *	9/2017	Zheng	D13/168
D799,449 S *	10/2017	Yoon	D14/218
D799,450 S *	10/2017	Lee	D14/218
D858,464 S *	9/2019	Li	D13/168
D865,990 S *	11/2019	Ko	D24/215
D886,071 S *	6/2020	Ootsuka	D13/168
D907,591 S *	1/2021	Zeng	D14/218
D912,635 S *	3/2021	Birchler	D13/168
D929,949 S *	9/2021	Li	D13/168
D946,780 S *	3/2022	Liu	D24/215
2011/0196274 A1 *	8/2011	Ding	A61H 7/007 601/136
2013/0102938 A1 *	4/2013	Chen	A61H 7/007 601/84

(Continued)

Primary Examiner — Selina Sikder
(74) *Attorney, Agent, or Firm* — McClure, Qualey & Rodack, LLP

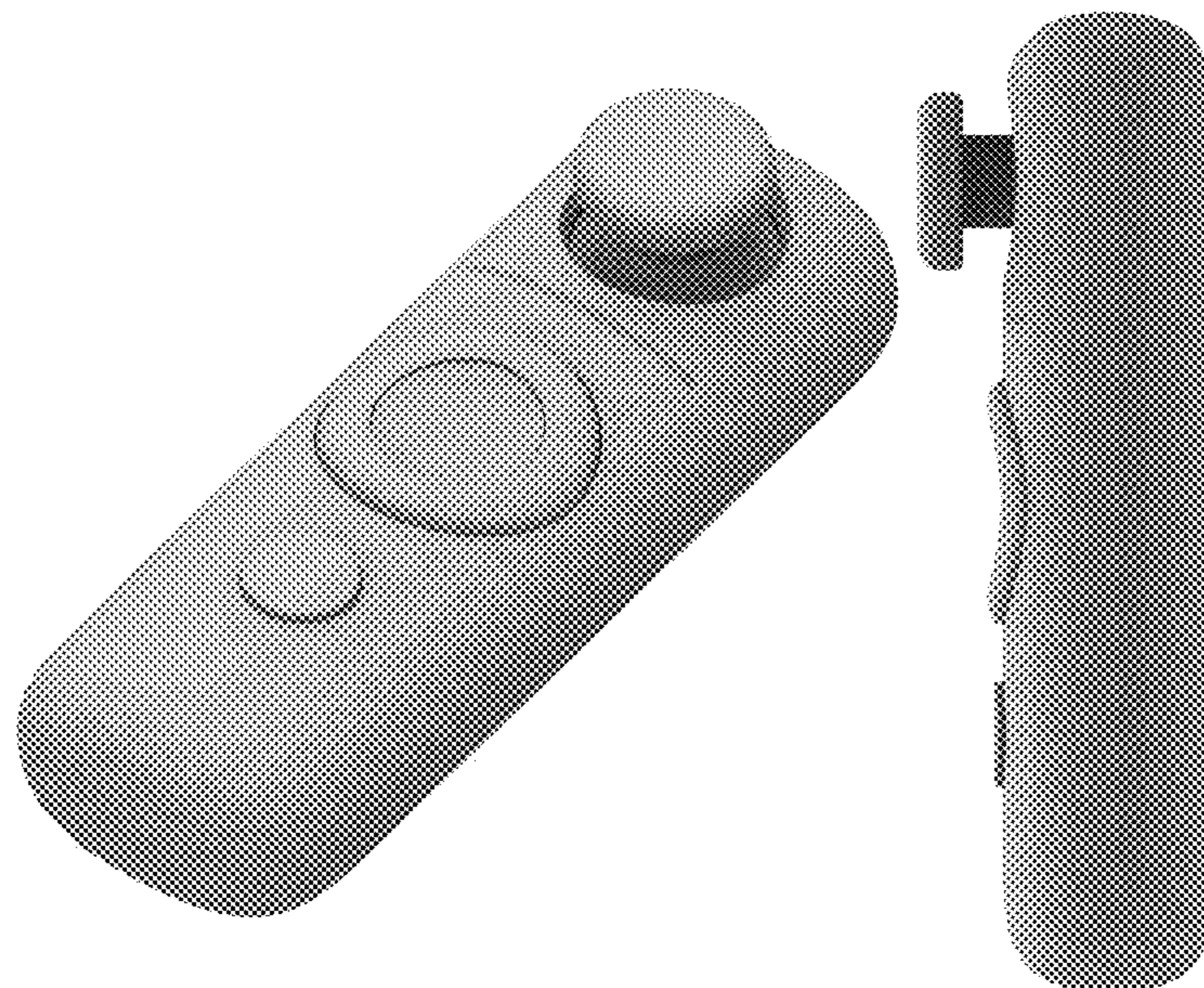
(57) **CLAIM**

The ornamental design for a massager controller, as shown and described.

DESCRIPTION

FIG. 1 is a front, bottom, right perspective view of a massager controller showing our new design; FIG. 2 is a front elevational view thereof; FIG. 3 is a rear elevational view thereof; FIG. 4 is a left side elevational view thereof; FIG. 5 is a right side elevational view thereof; FIG. 6 is a top plan view thereof; and, FIG. 7 is a bottom plan view thereof. Shading in the drawings is used to illustrate the curvature of the part and not color.

1 Claim, 7 Drawing Sheets



(56)

References Cited

U.S. PATENT DOCUMENTS

2016/0008609 A1* 1/2016 Chen A61N 1/0456
607/59
2016/0151234 A1* 6/2016 Chen A61H 7/007
601/113
2022/0031560 A1* 2/2022 Chiu A61H 15/0078

* cited by examiner



Fig. 1

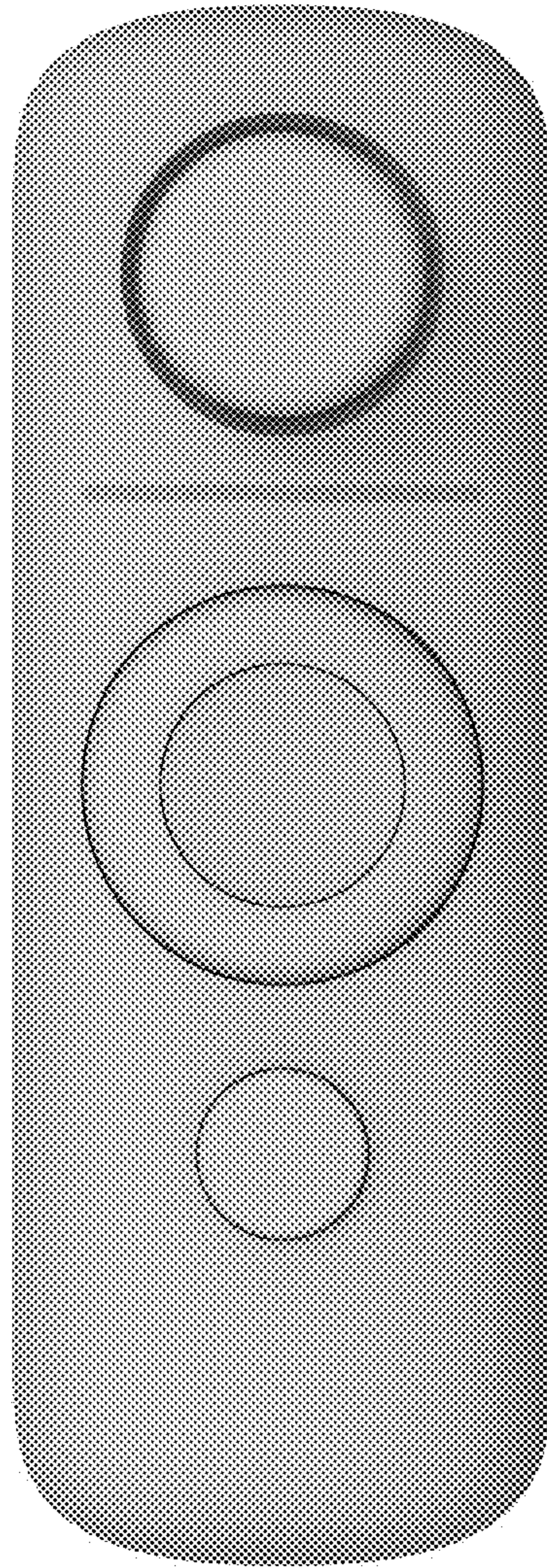


Fig. 2

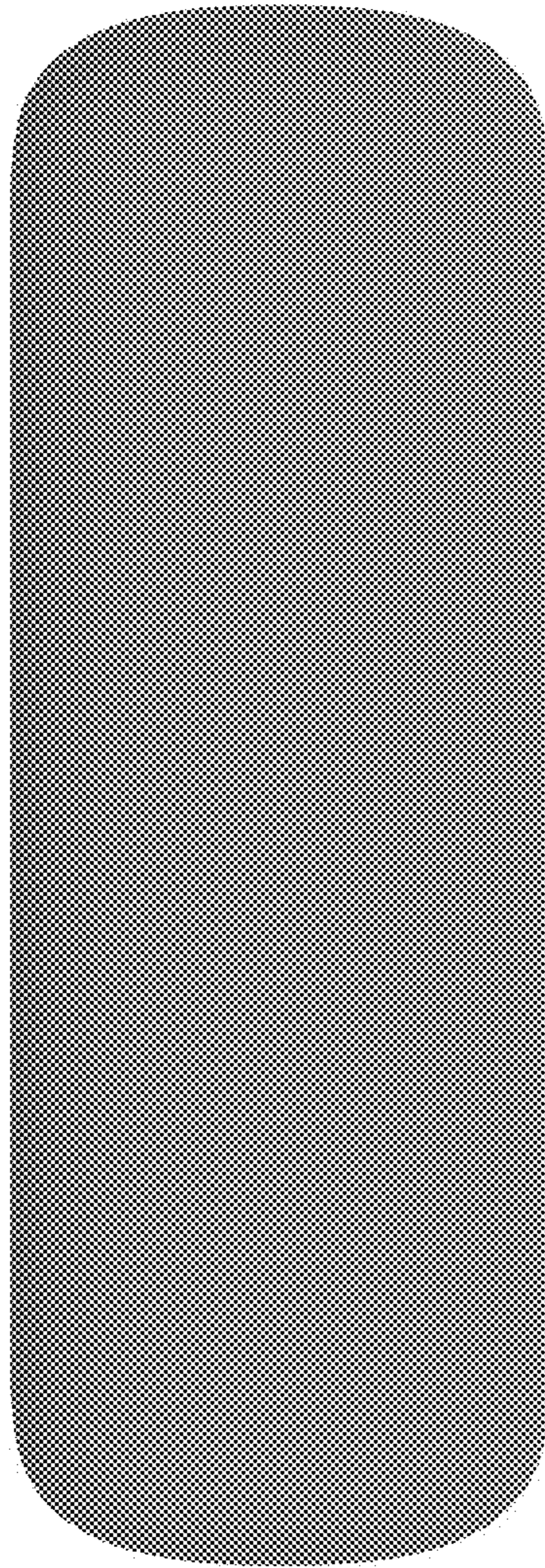


Fig. 3

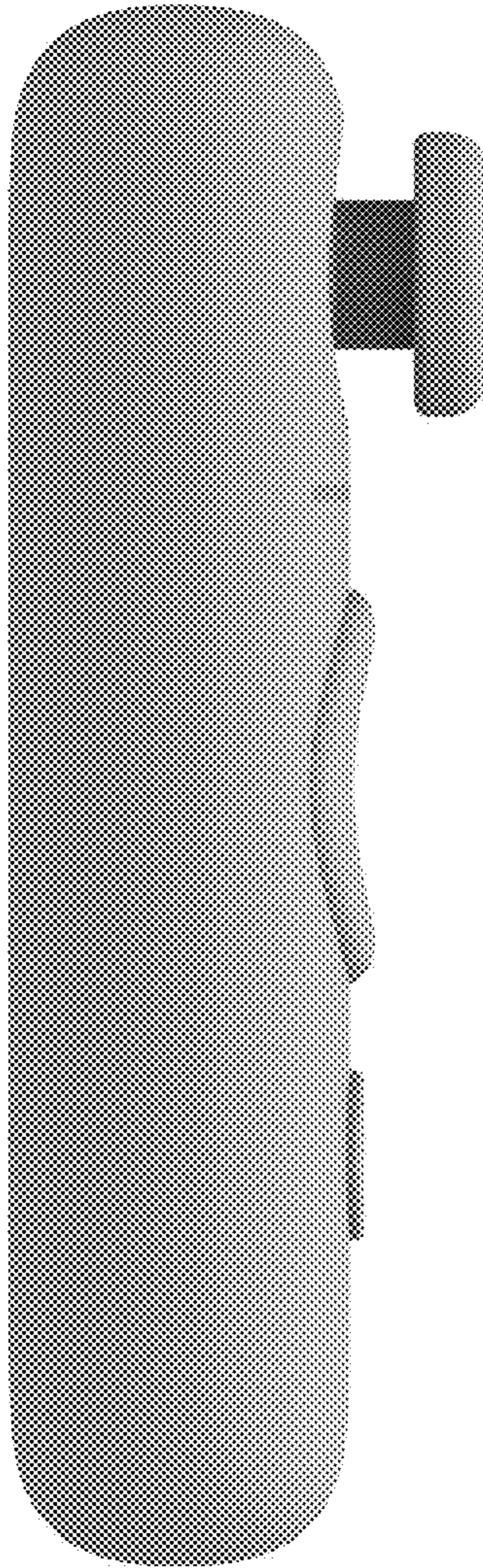


Fig. 4

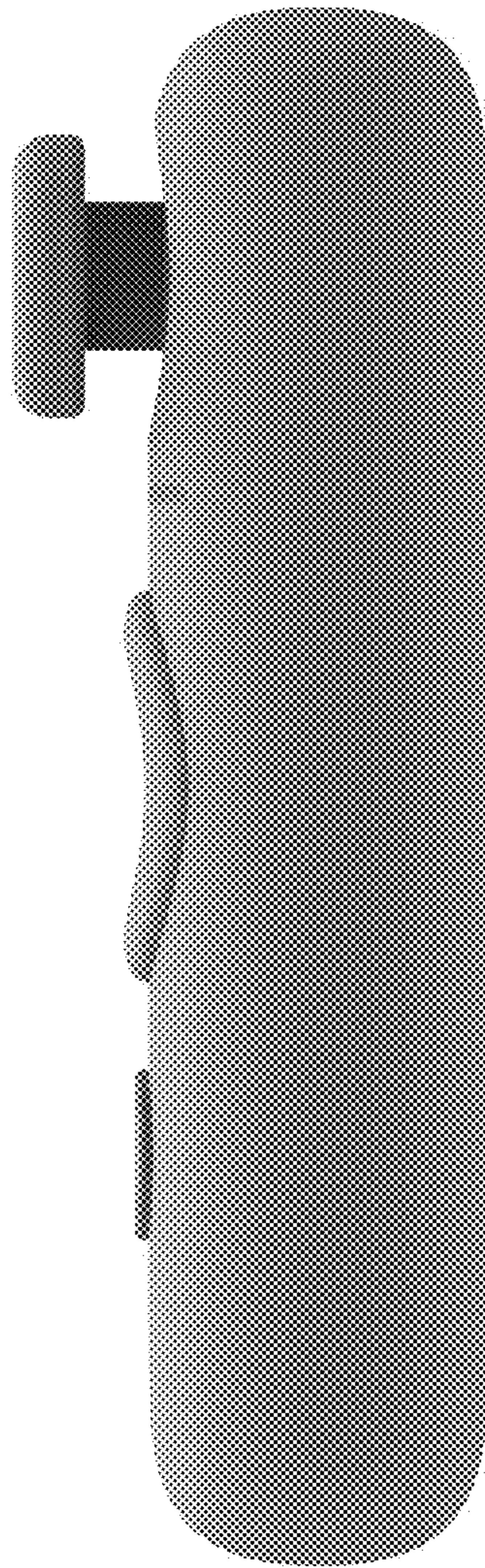


Fig. 5

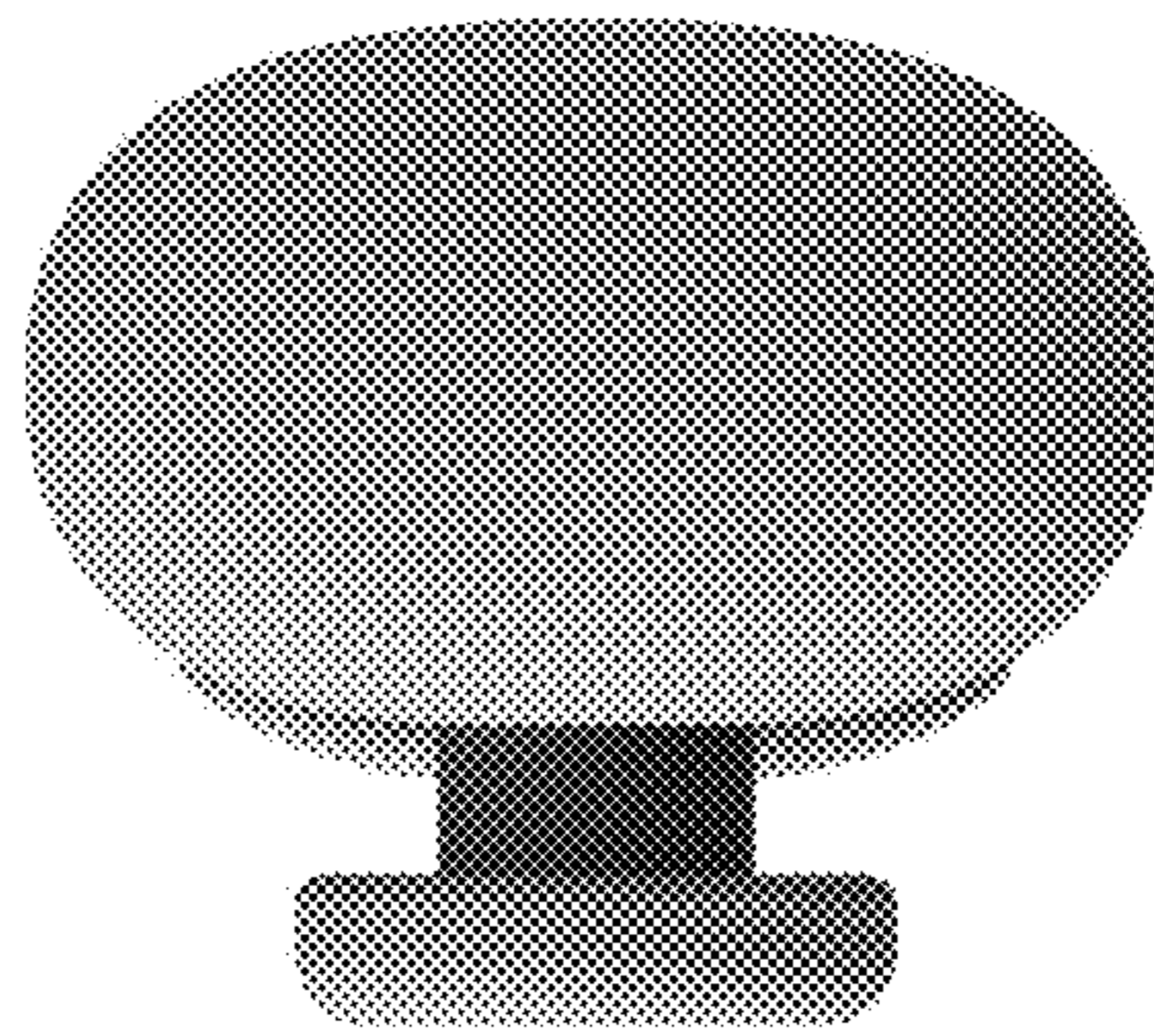


Fig. 6

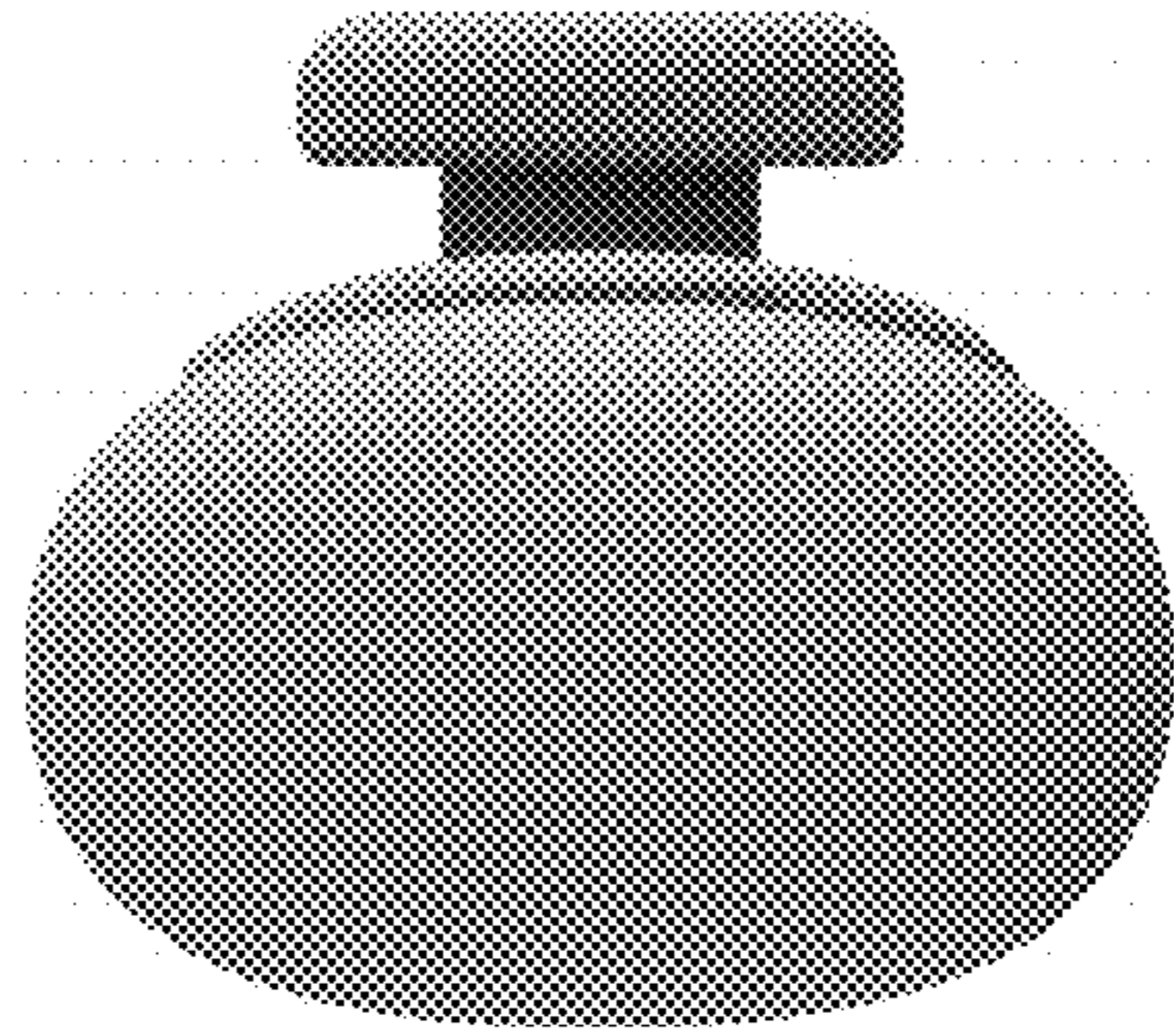


Fig.7