

US00D966203S

(12) **United States Design Patent**
Kalkunte et al.

(10) **Patent No.:** **US D966,203 S**
(45) **Date of Patent:** **** Oct. 11, 2022**

(54) **RELAY DEVICE**

- (71) Applicant: **PELTBEAM INC.**, Saratoga, CA (US)
- (72) Inventors: **Venkat Kalkunte**, Saratoga, CA (US);
Mehdi Hatamian, Mission Viejo, CA (US);
Arman Rofougaran, Newport Beach, CA (US);
Puya Rofougaran, Irvine, CA (US)
- (73) Assignee: **PELTBEAM INC.**, Saratoga, CA (US)
- (**) Term: **15 Years**
- (21) Appl. No.: **29/791,438**
- (22) Filed: **Jan. 11, 2022**

Related U.S. Application Data

- (63) Continuation-in-part of application No. 17/444,219, filed on Aug. 2, 2021, now Pat. No. 11,275,147.
- (51) **LOC (13) Cl.** **13-03**
- (52) **U.S. Cl.**
USPC **D13/158**; D14/358; D14/155
- (58) **Field of Classification Search**
USPC D13/123, 133, 158–161, 173, 184, 199;
D14/115, 130, 236, 358, 155; D10/75,
D10/104.1
CPC H04W 16/28; H04W 4/021; H04W 4/38;
H04W 48/16; H04W 48/18; H01H
50/047; H01H 50/04; H01H 50/28; H01H
50/18; H04B 7/0617; H04B 17/309;
G01S 5/02523
See application file for complete search history.

(56) **References Cited**

U.S. PATENT DOCUMENTS

D135,528 S *	4/1943	Meyer	D13/158
D195,511 S *	6/1963	Brown	D13/158
D396,724 S *	8/1998	Herbst	D14/230
D437,243 S *	2/2001	Cessac	D10/104.1
D570,296 S *	6/2008	Wipf	D13/158

(Continued)

OTHER PUBLICATIONS

“View on 5G Architecture” Version 3.0, by 5G PPP, dated Jun. 2019 (Year: 2019).

(Continued)

Primary Examiner — Shawn T Gingrich
(74) *Attorney, Agent, or Firm* — Chip Law Group

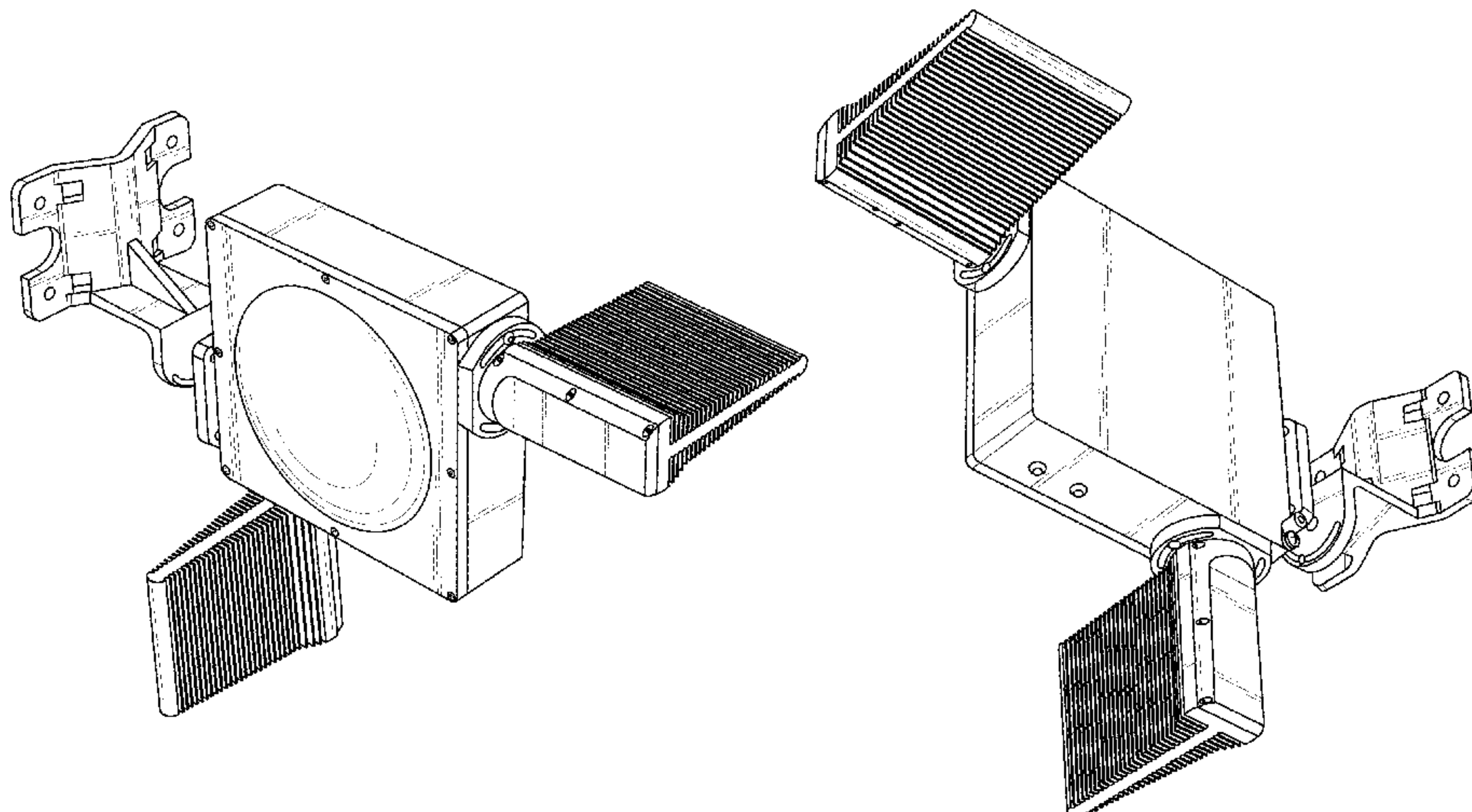
(57) **CLAIM**

The ornamental design for a relay device, as shown and described.

DESCRIPTION

FIG. 1 is a front view of our new design;
 FIG. 2 is a rear view thereof;
 FIG. 3 is a left view thereof;
 FIG. 4 is a right view thereof;
 FIG. 5 is a top view thereof;
 FIG. 6 is a front perspective view thereof;
 FIG. 7 is another front perspective view thereof;
 FIG. 8 is bottom perspective view thereof;
 FIG. 9 is another bottom perspective view thereof;
 FIG. 10 is a side perspective view thereof;
 FIG. 11 is another side perspective view thereof;
 FIG. 12 is another side perspective view thereof;
 FIG. 13 is another side perspective view thereof;
 FIG. 14 is a rear perspective view thereof;
 FIG. 15 is another rear perspective view thereof;
 FIG. 16 is another rear perspective view thereof;
 FIG. 17 is another rear perspective view thereof;
 FIG. 18 is another rear perspective view thereof;
 FIG. 19 is another side perspective view thereof;
 FIG. 20 is another side perspective view thereof;
 FIG. 21 is a top perspective view thereof;
 FIG. 22 is another top perspective view thereof; and,
 FIG. 23 is another top perspective view thereof.

1 Claim, 23 Drawing Sheets



(56)

References Cited

U.S. PATENT DOCUMENTS

8,675,667	B1	3/2014	DeMartino
11,191,013	B1	11/2021	Kalkunte et al.
2016/0095016	A1	3/2016	El-Refaey et al.
2019/0363843	A1	11/2019	Gordaychik
2020/0008044	A1	1/2020	Poomachandran et al.
2020/0169880	A1	5/2020	Wen et al.
2020/0220905	A1	7/2020	Park et al.
2020/0351882	A1	11/2020	Furuichi
2021/0036752	A1	2/2021	Tofighbakhsh et al.
2021/0058826	A1	2/2021	Mao et al.
2021/0099890	A1	4/2021	Imanilov et al.
2021/0119962	A1	4/2021	Ramia et al.
2021/0159946	A1	5/2021	Raghavan et al.
2021/0243821	A1	8/2021	Palamara et al.
2021/0297410	A1	9/2021	Zhou
2021/0337452	A1	10/2021	Furuichi et al.

OTHER PUBLICATIONS

Corrected Notice of Allowance in U.S. Appl. No. 17/444,219 dated Feb. 2, 2022.

Non-Final Office Action in U.S. Appl. No. 17/341,978 dated Aug. 30, 2021.

Non-Final Office Action in U.S. Appl. No. 17/453,141 dated Jan. 4, 2022.

Notice of Allowance in U.S. Appl. No. 17/341,978 dated Oct. 27, 2021.

Notice of Allowance in U.S. Appl. No. 17/444,219 dated Dec. 8, 2021.

Notice of Allowance in U.S. Appl. No. 17/453,141 dated Feb. 9, 2022.

Notice of Allowance in U.S. Appl. No. 17/648,011 dated Apr. 12, 2022.

* cited by examiner

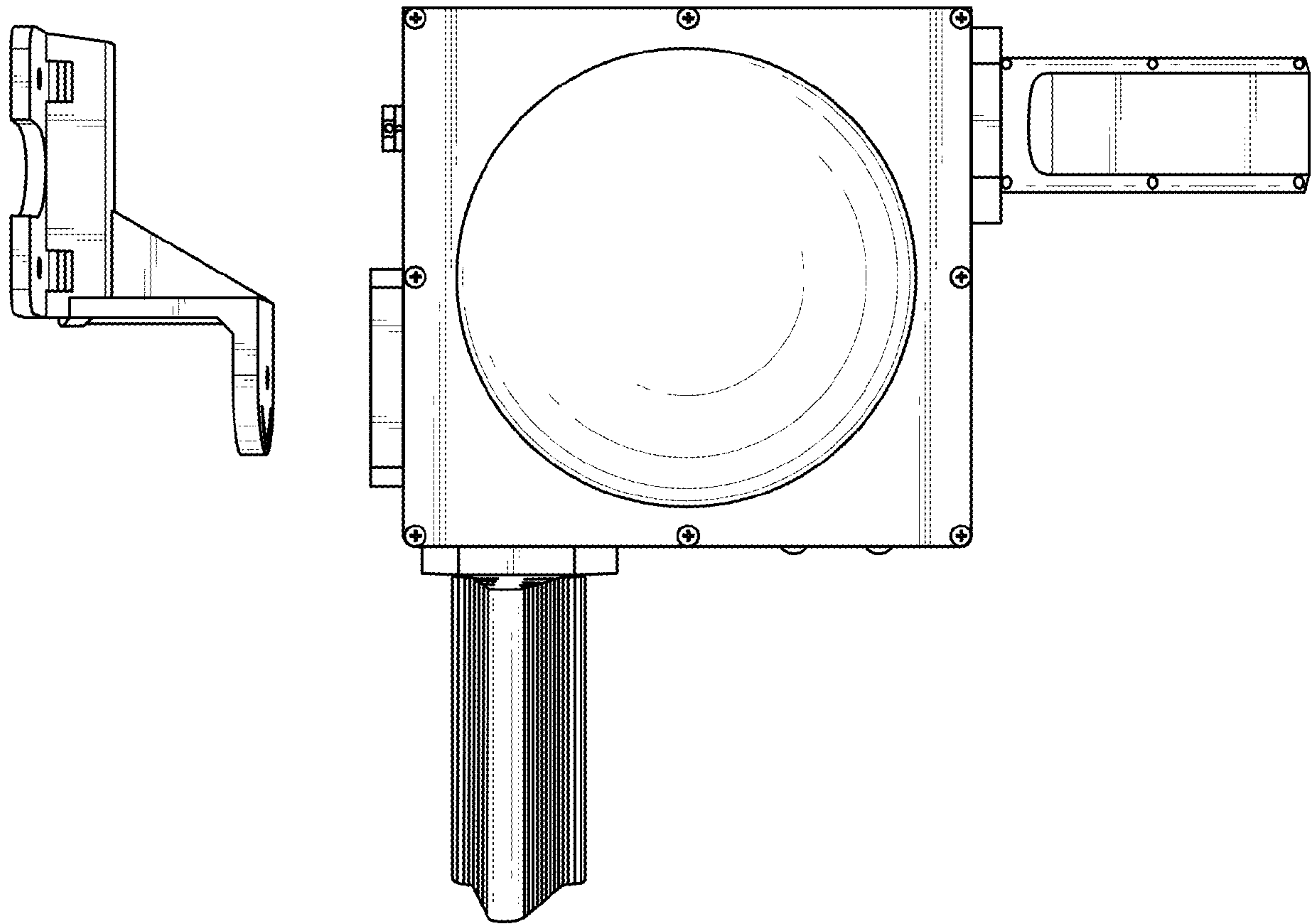


FIG. 1

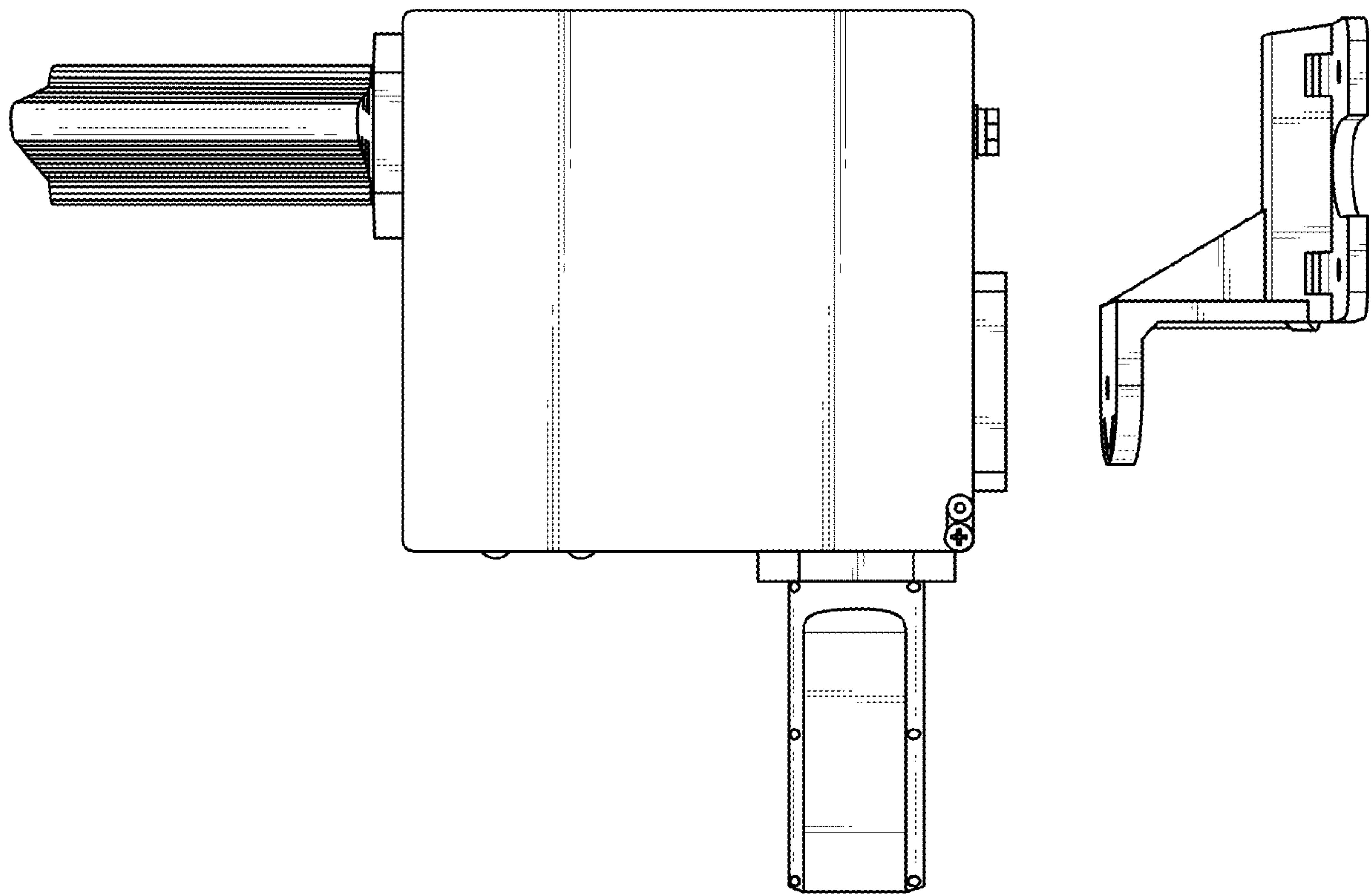


FIG. 2

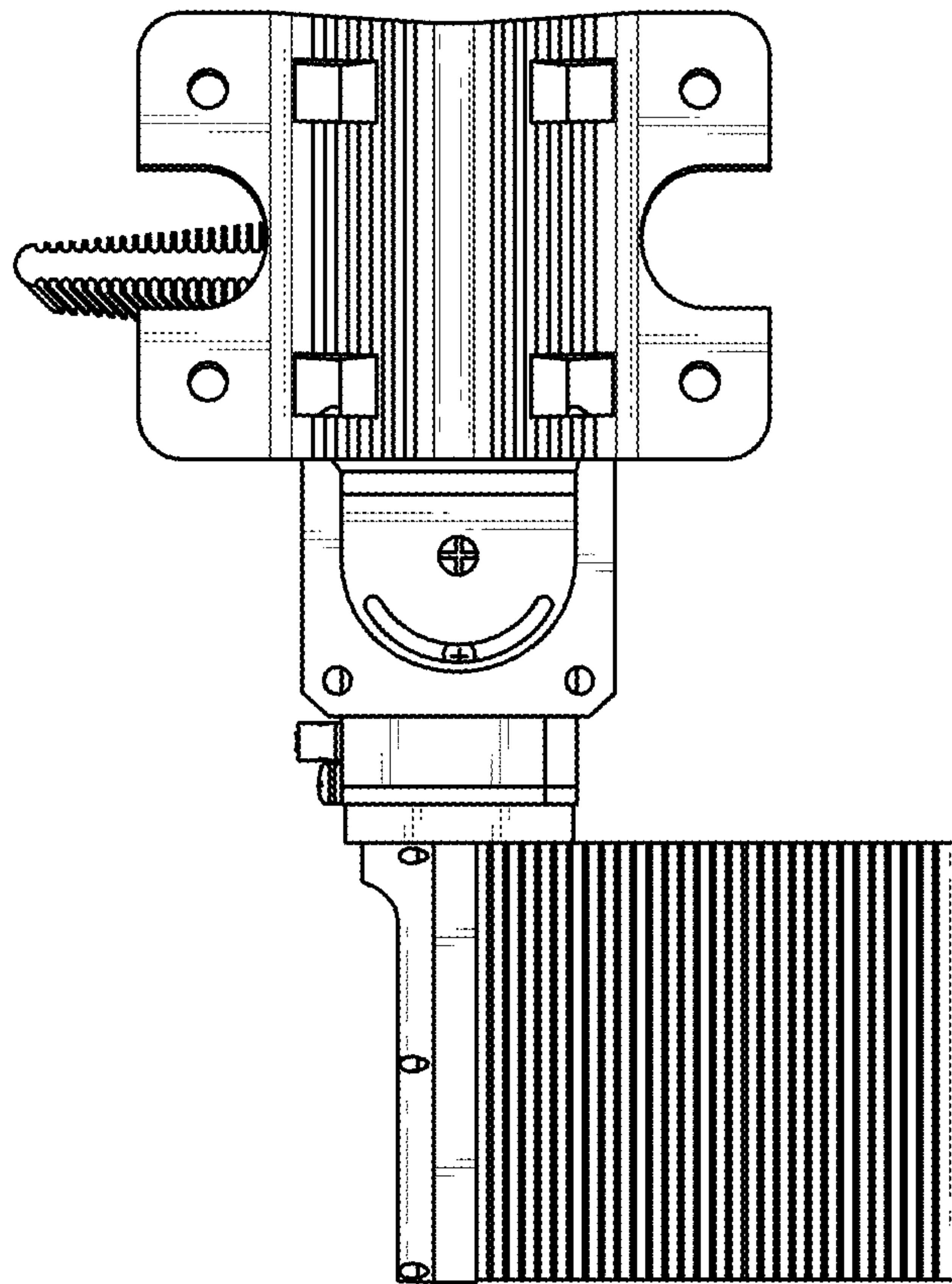


FIG. 3

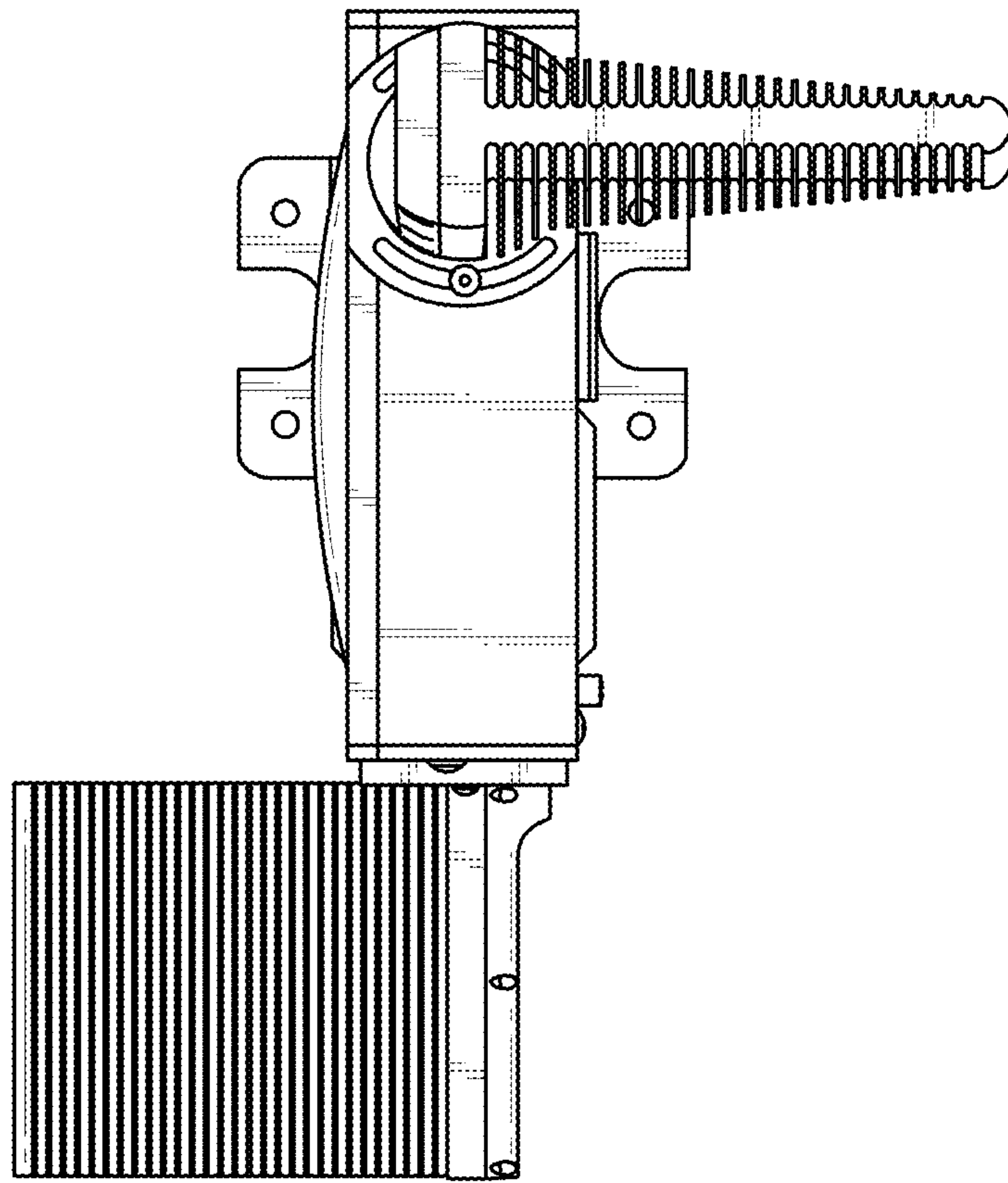


FIG. 4

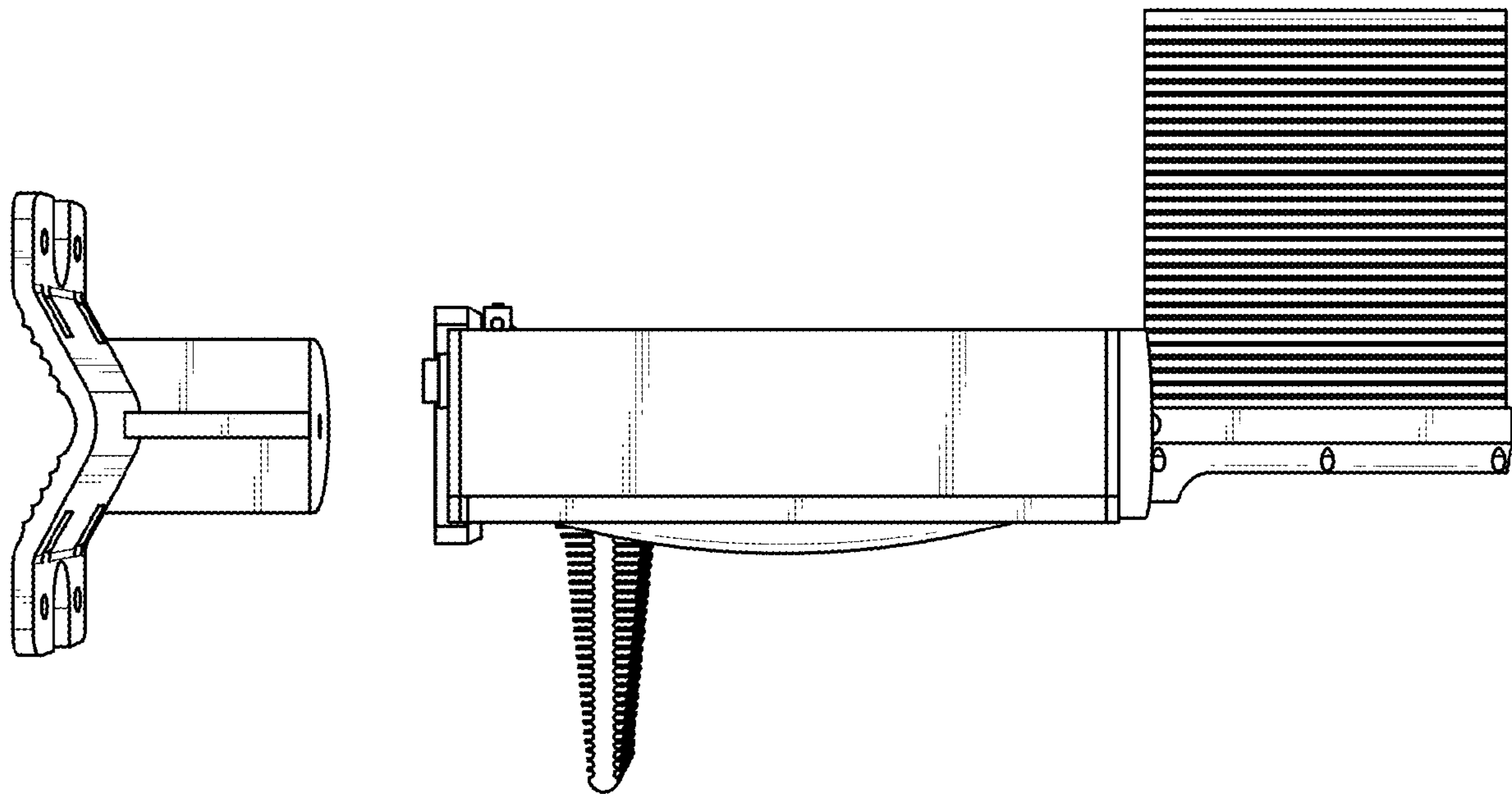


FIG. 5

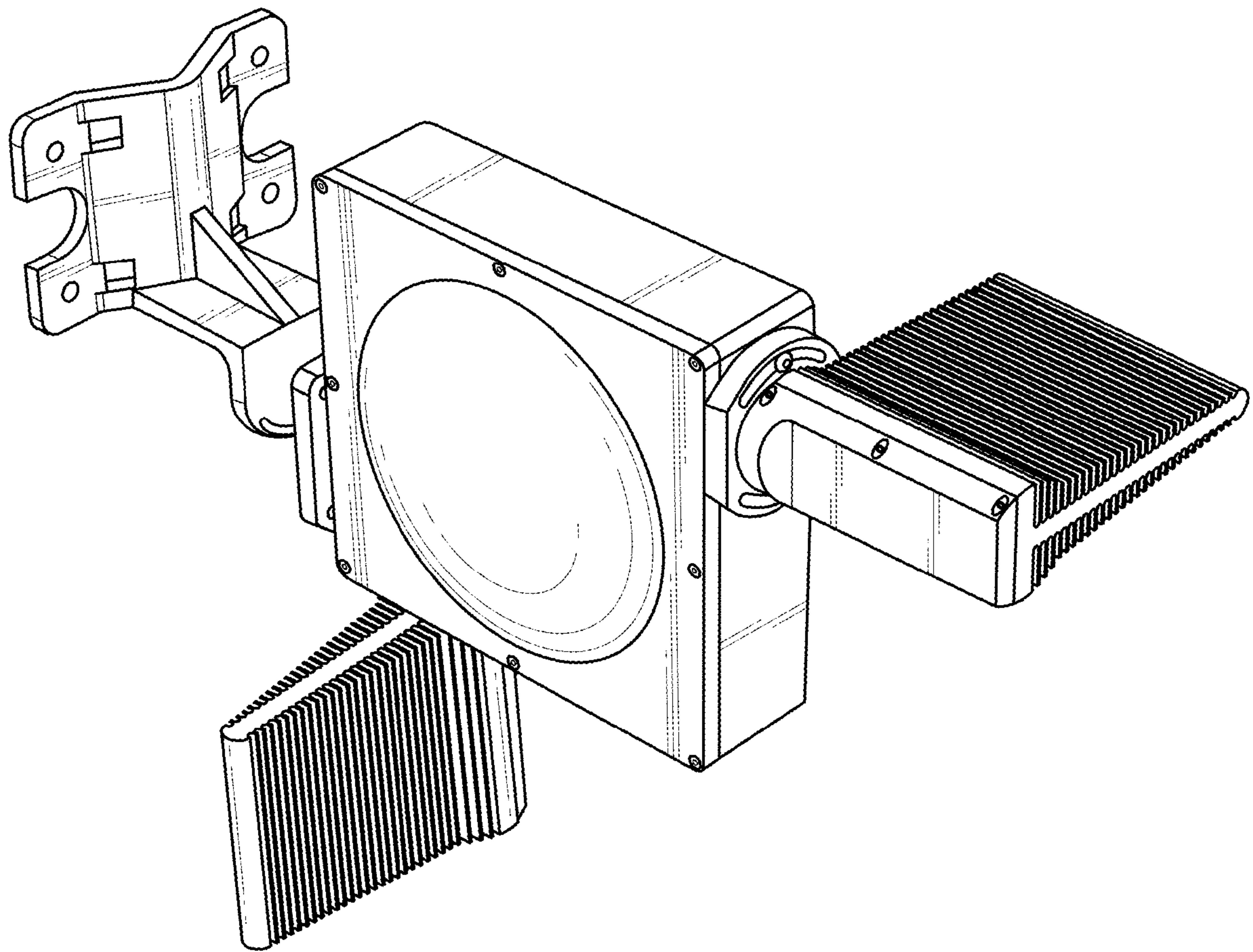


FIG. 6

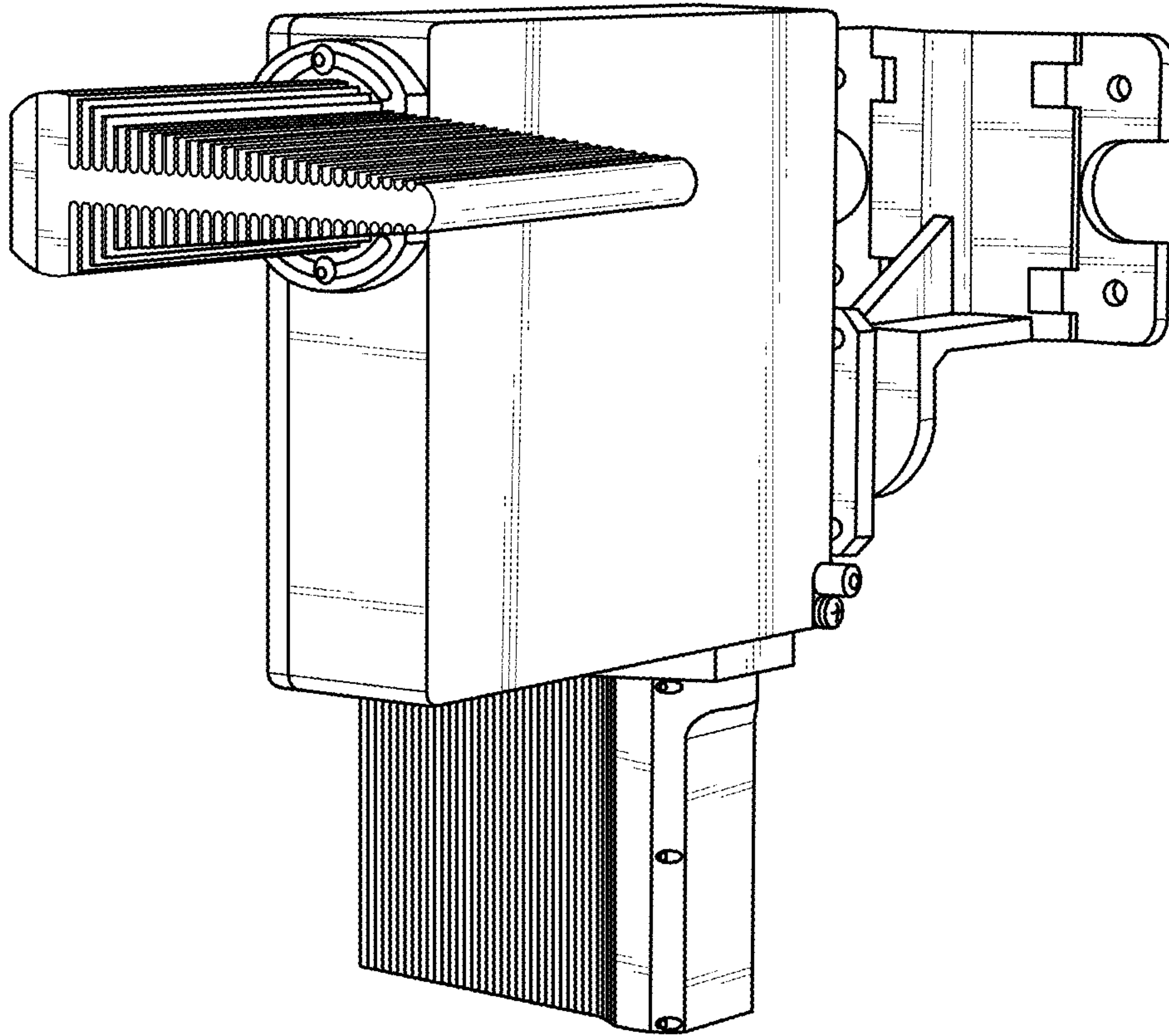


FIG. 7

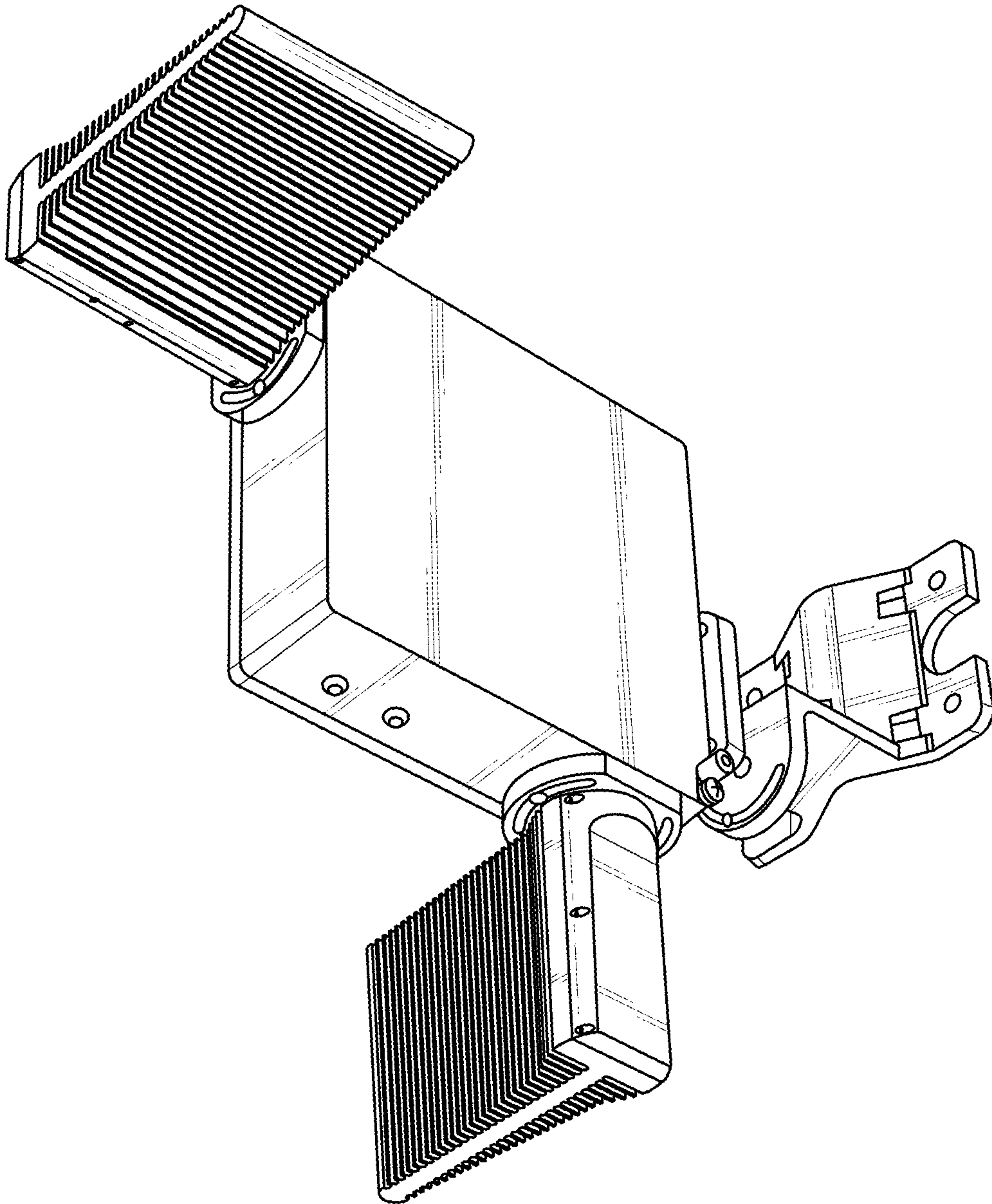


FIG. 8

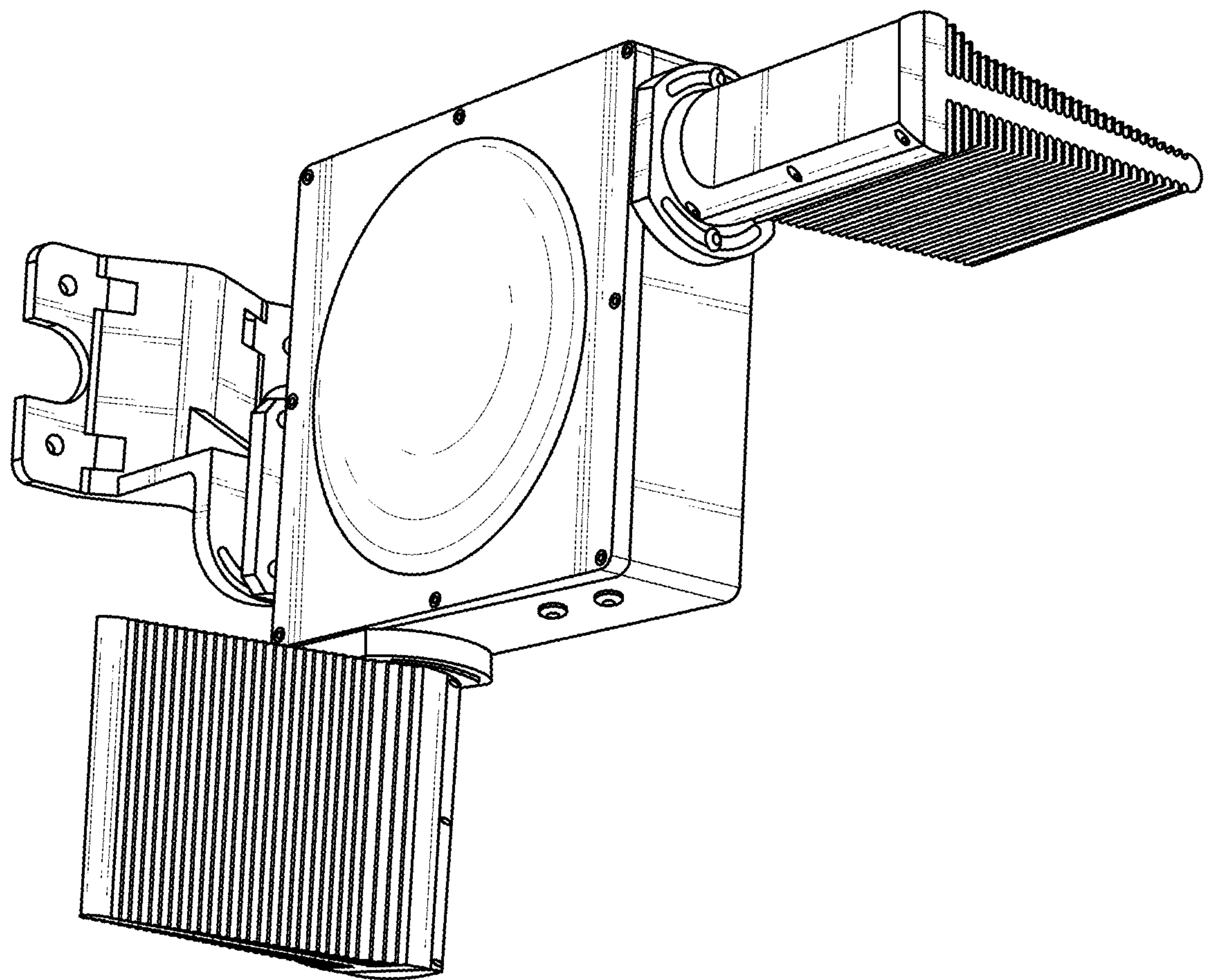


FIG. 9

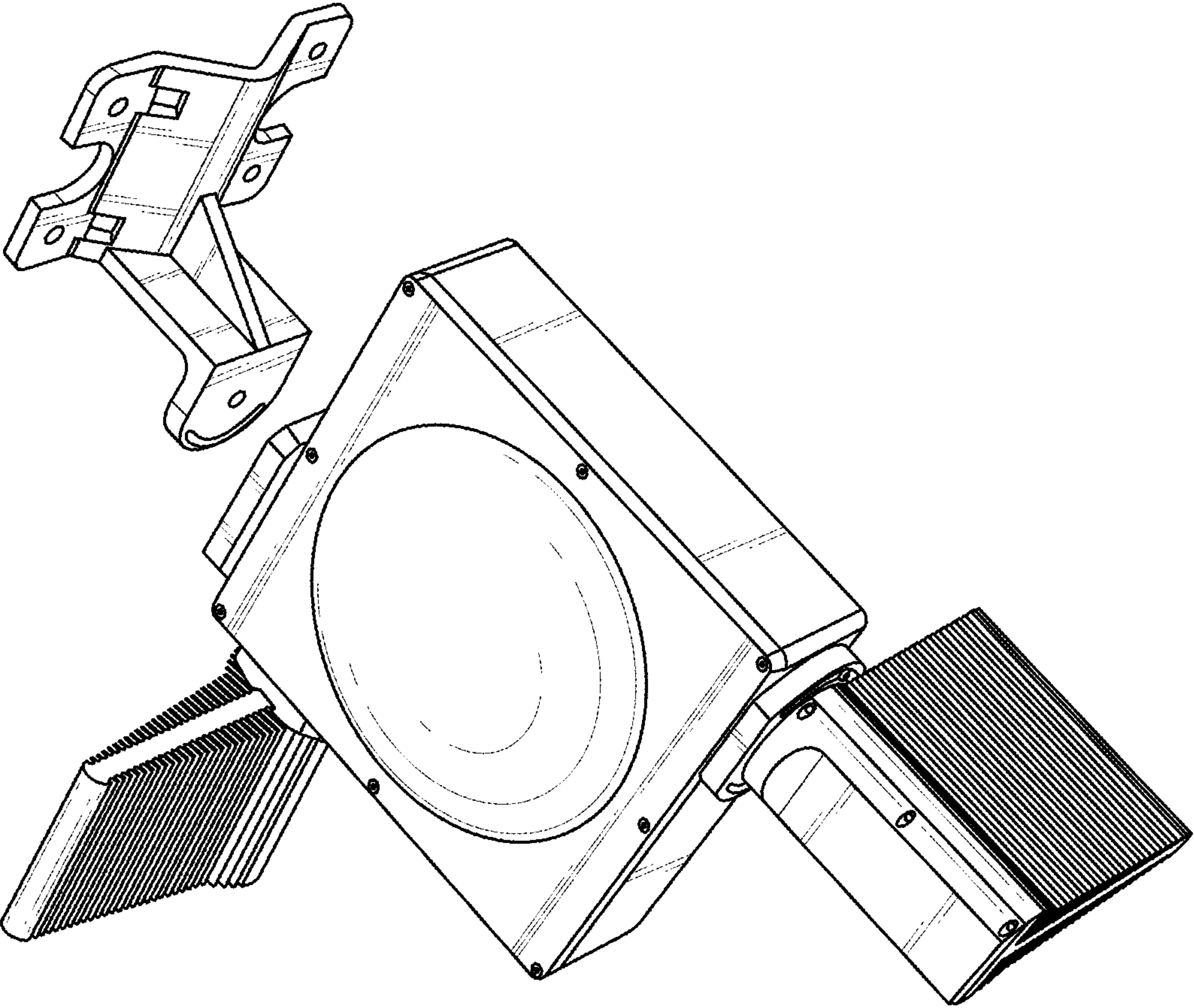


FIG. 10

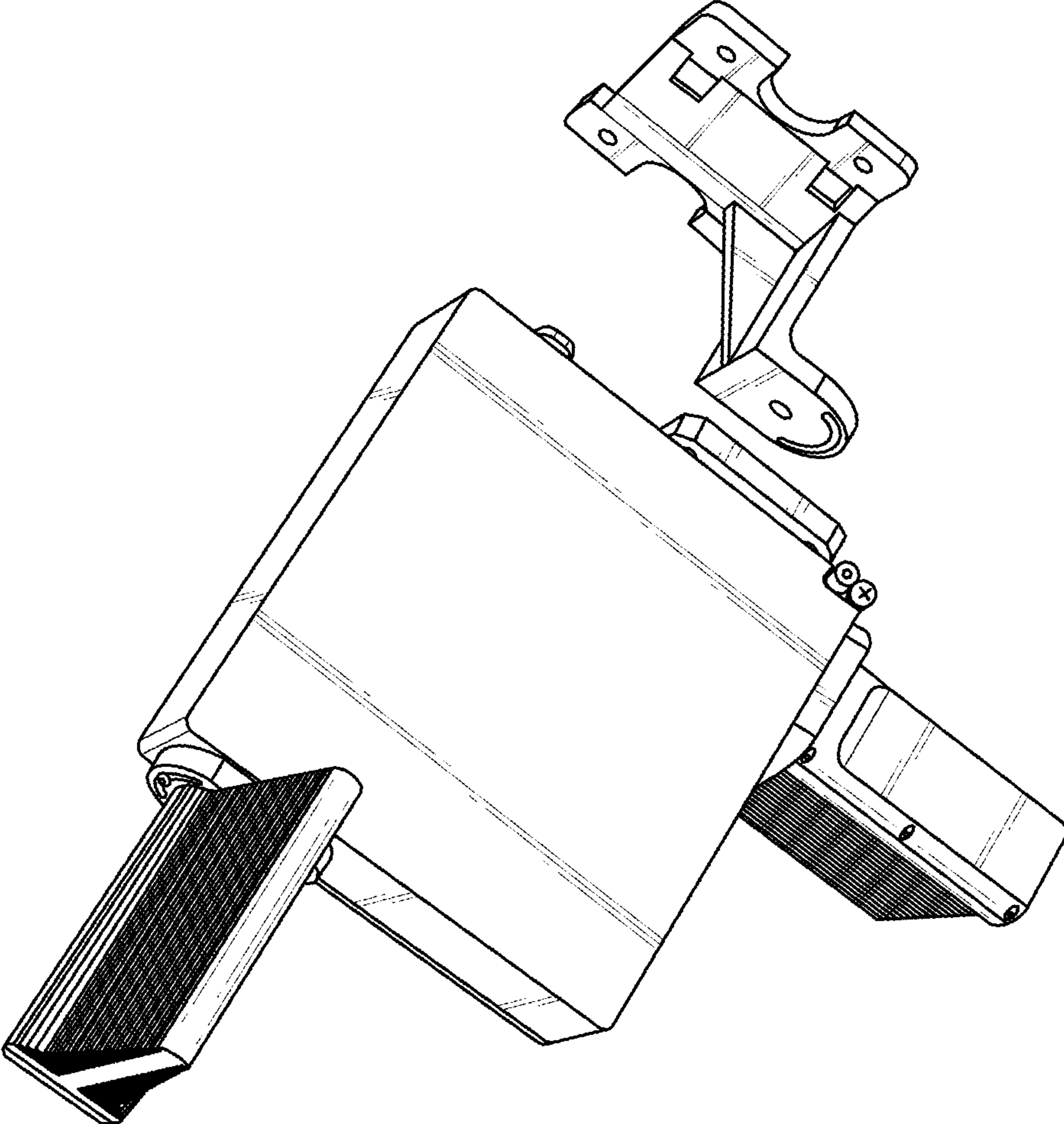


FIG. 11

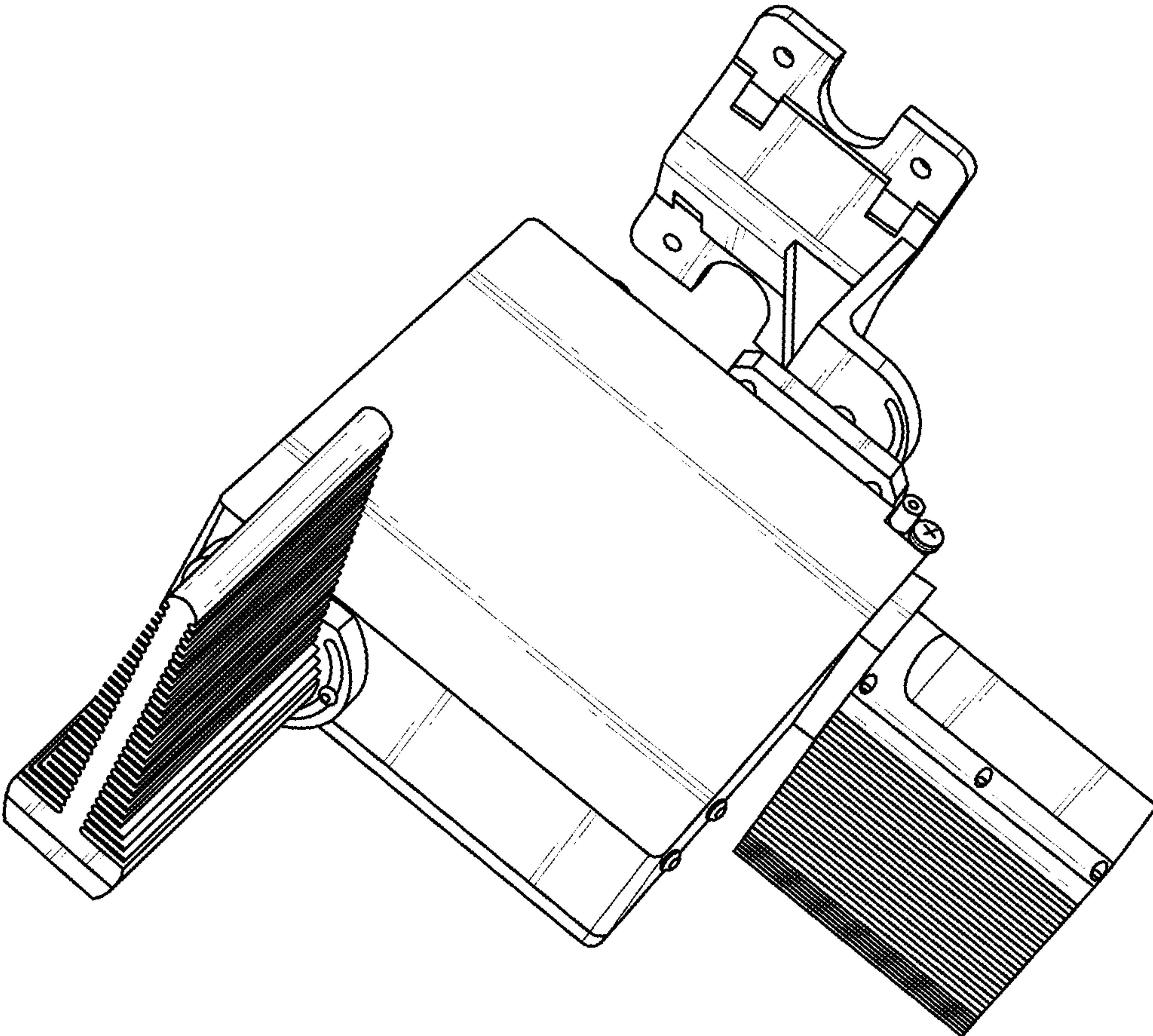


FIG. 12

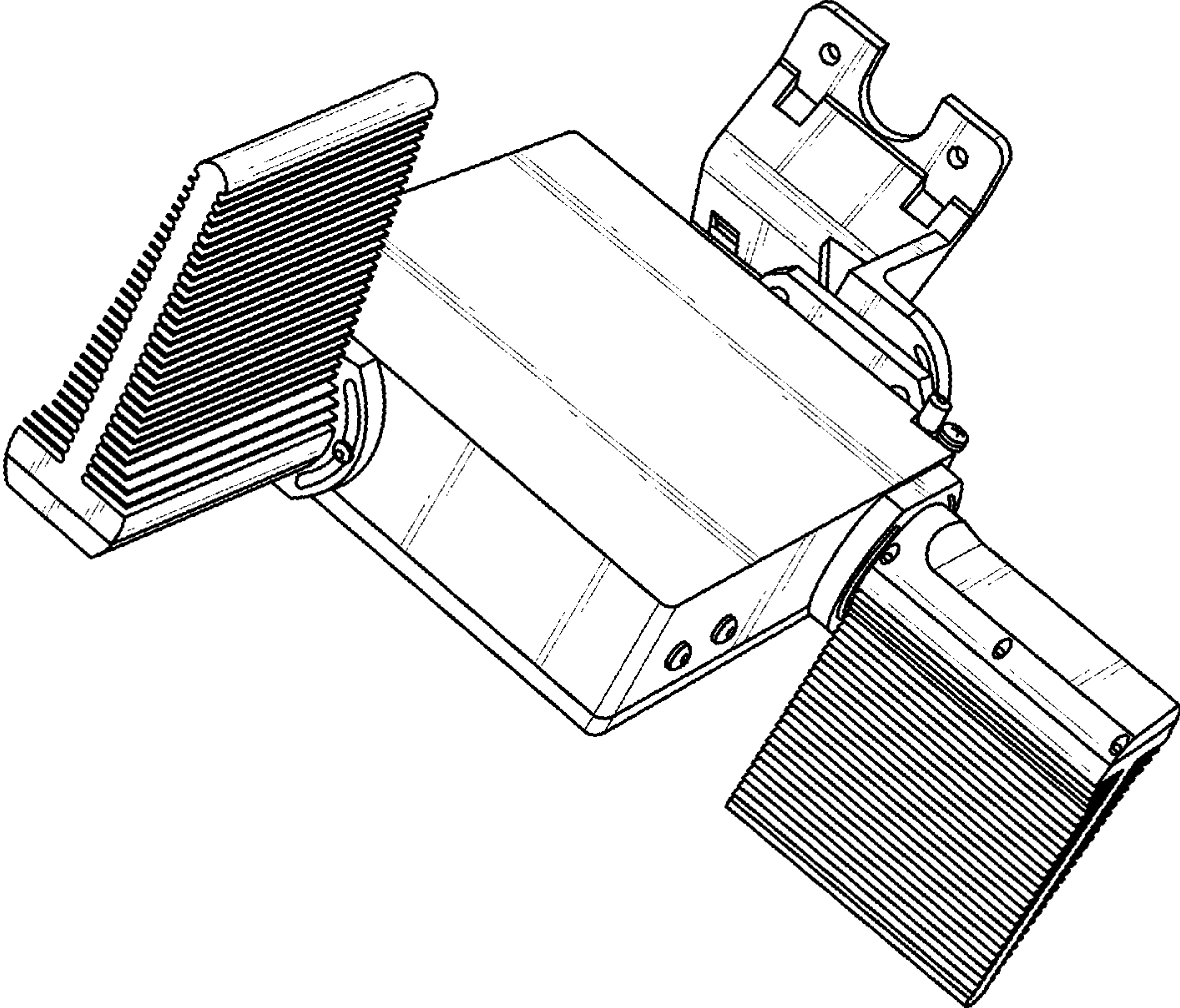


FIG. 13

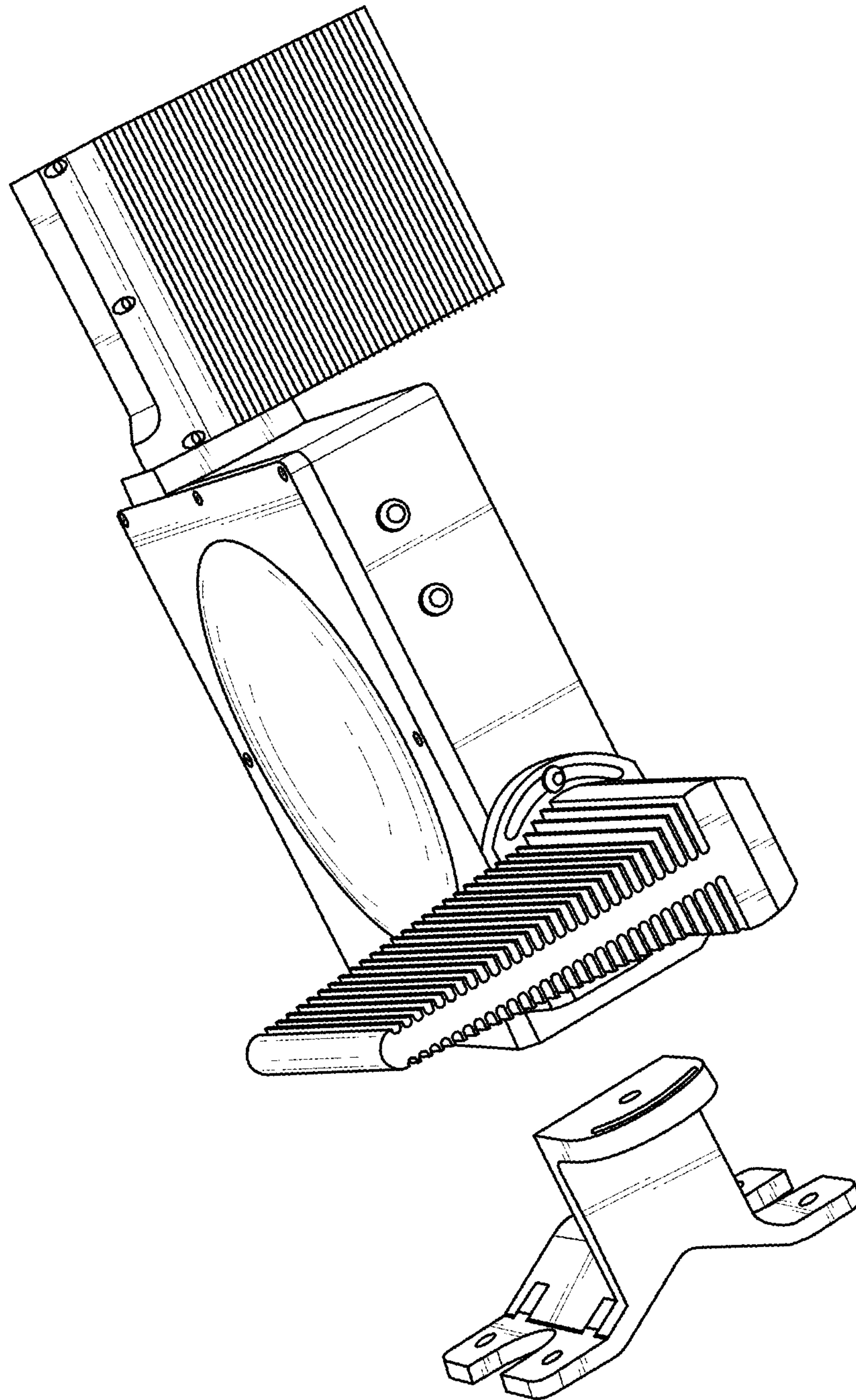


FIG. 14



FIG. 15

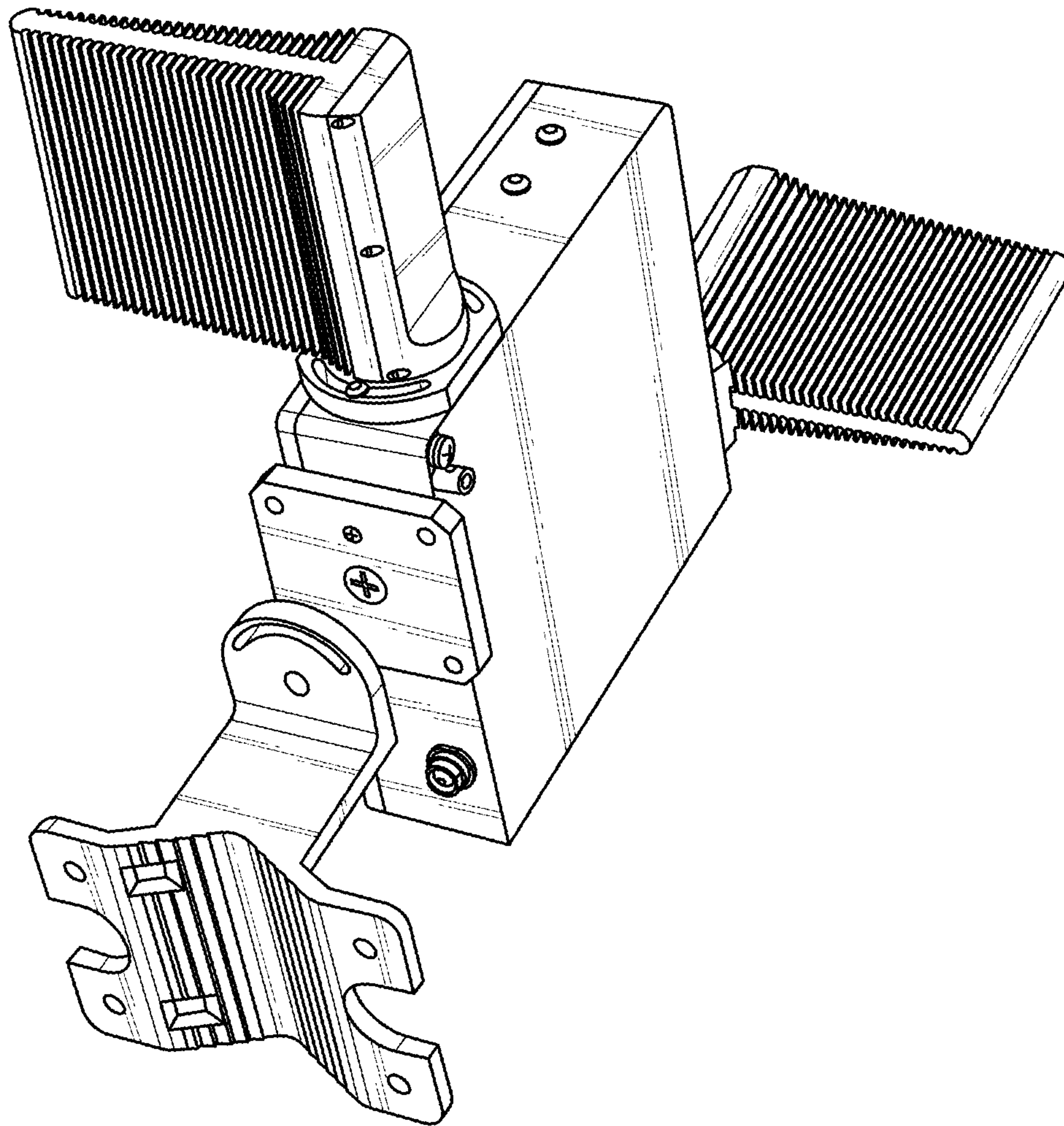


FIG. 16

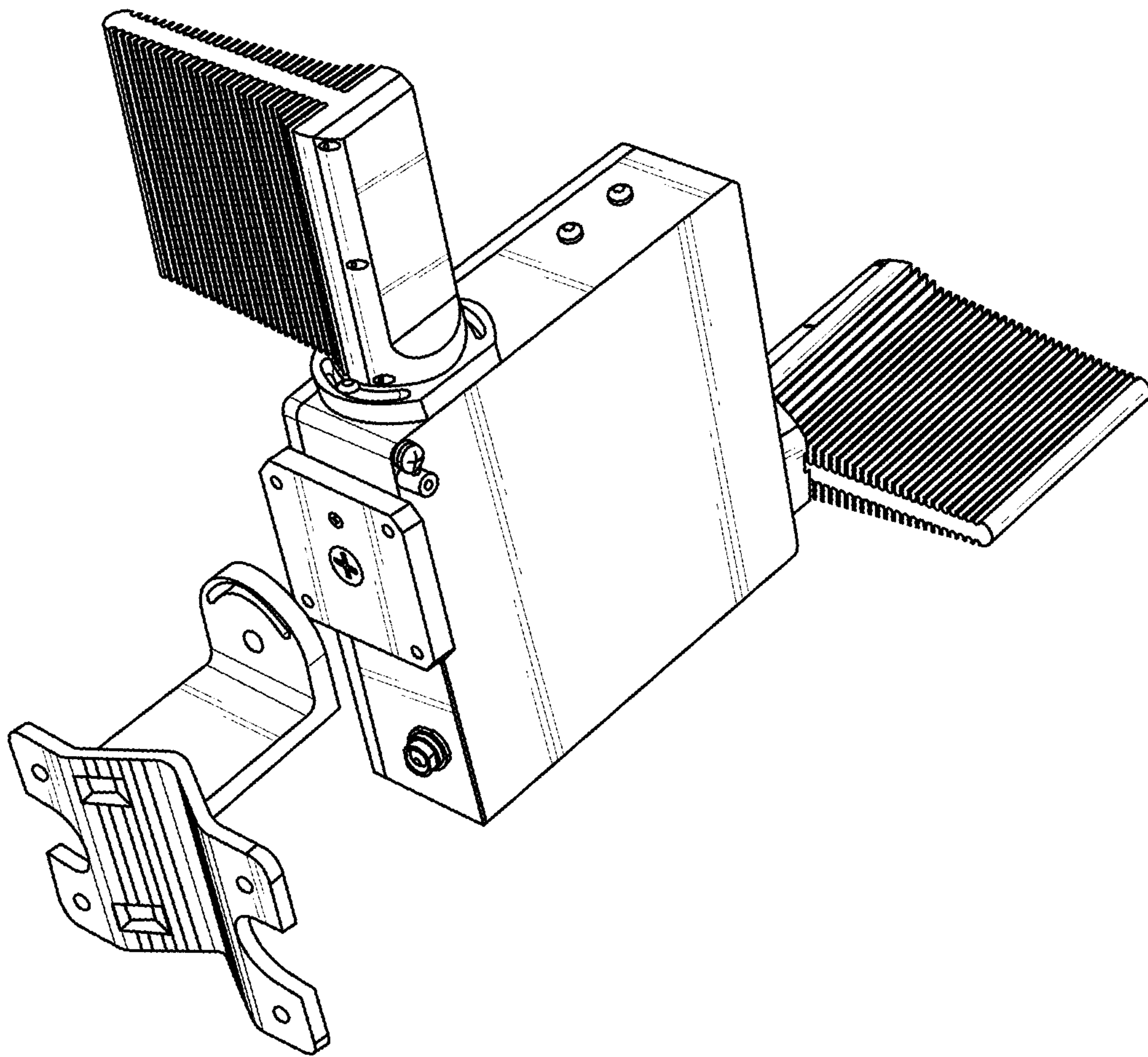


FIG. 17

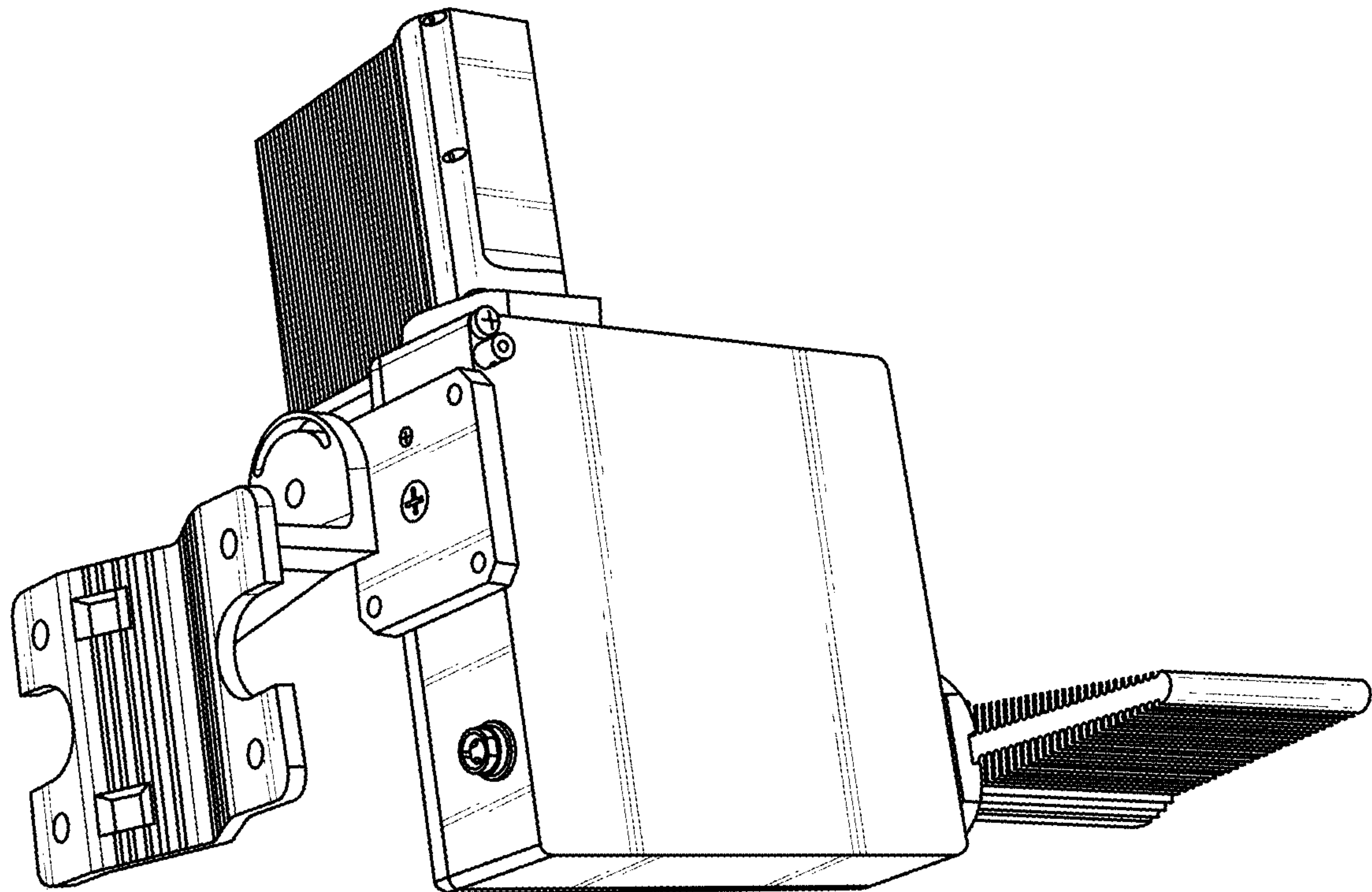


FIG. 18

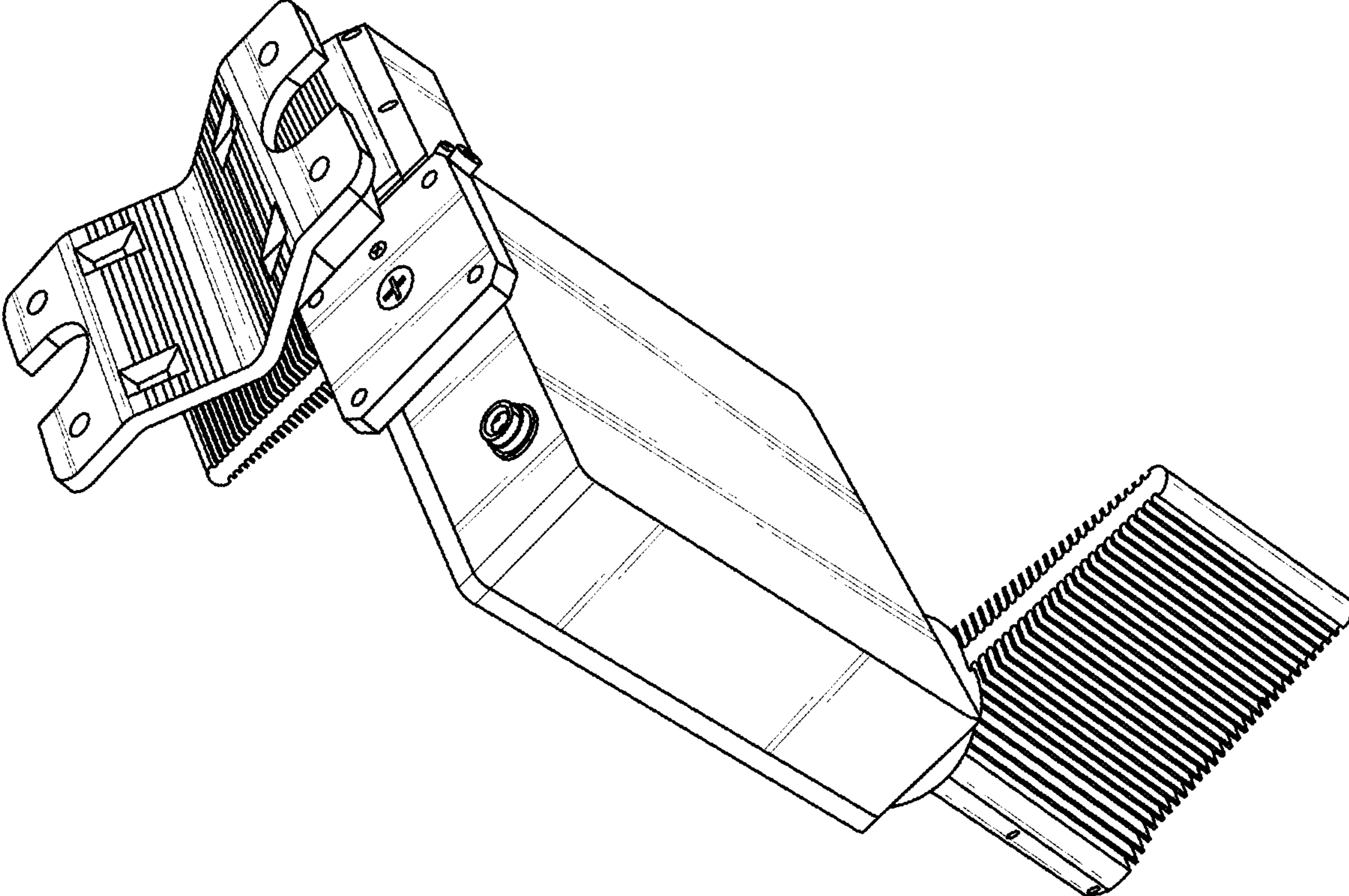


FIG. 19

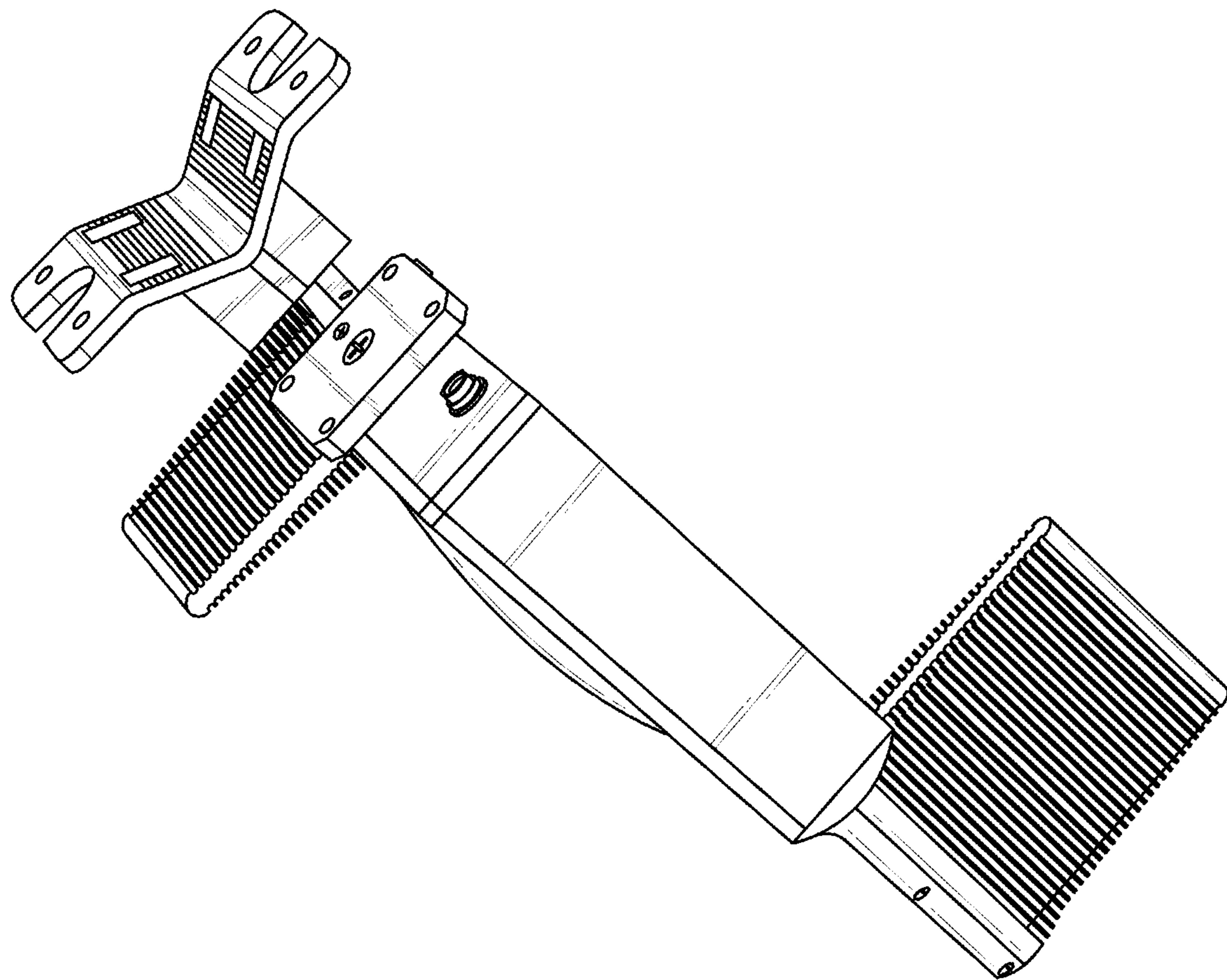


FIG. 20

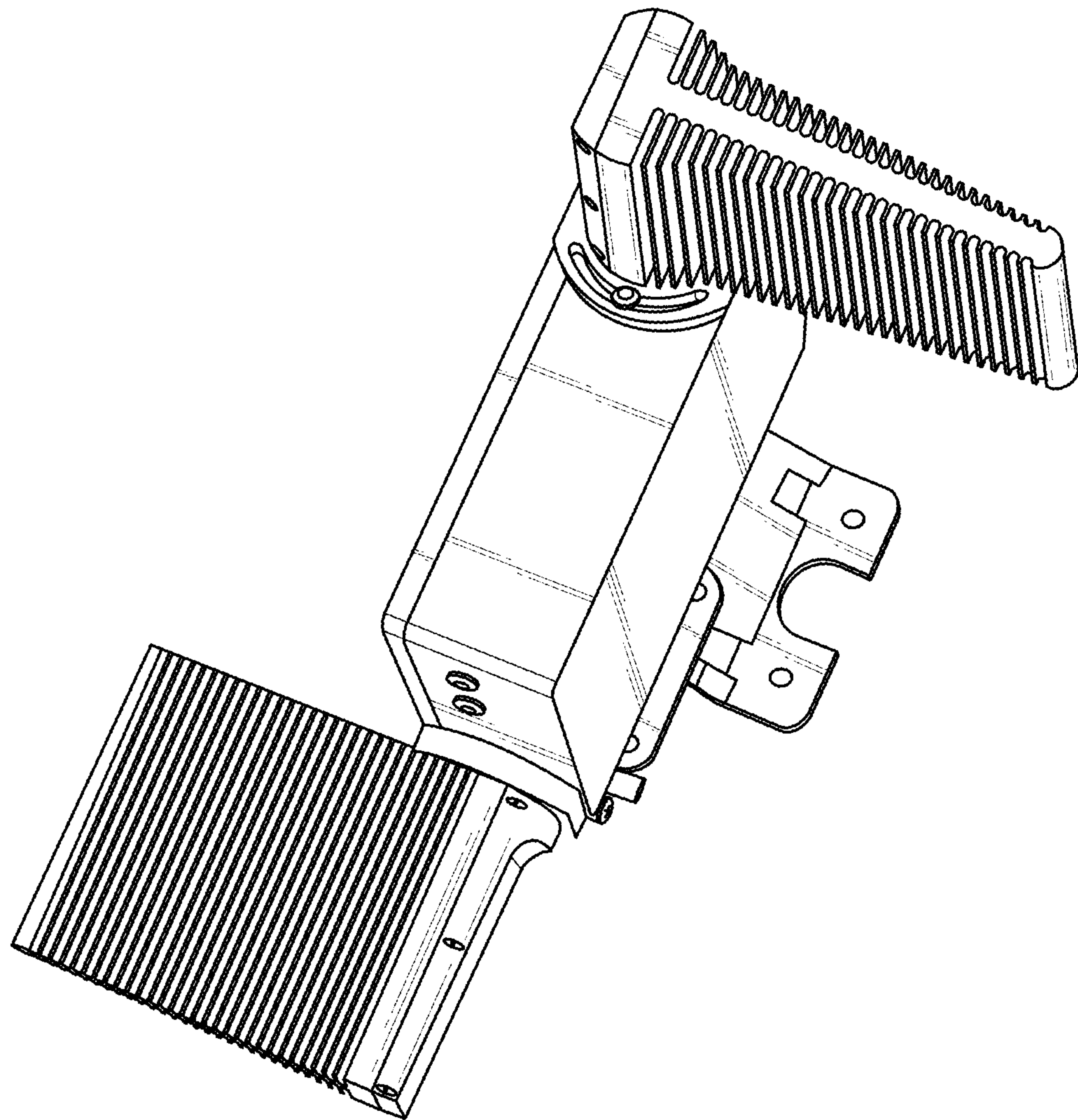


FIG. 21

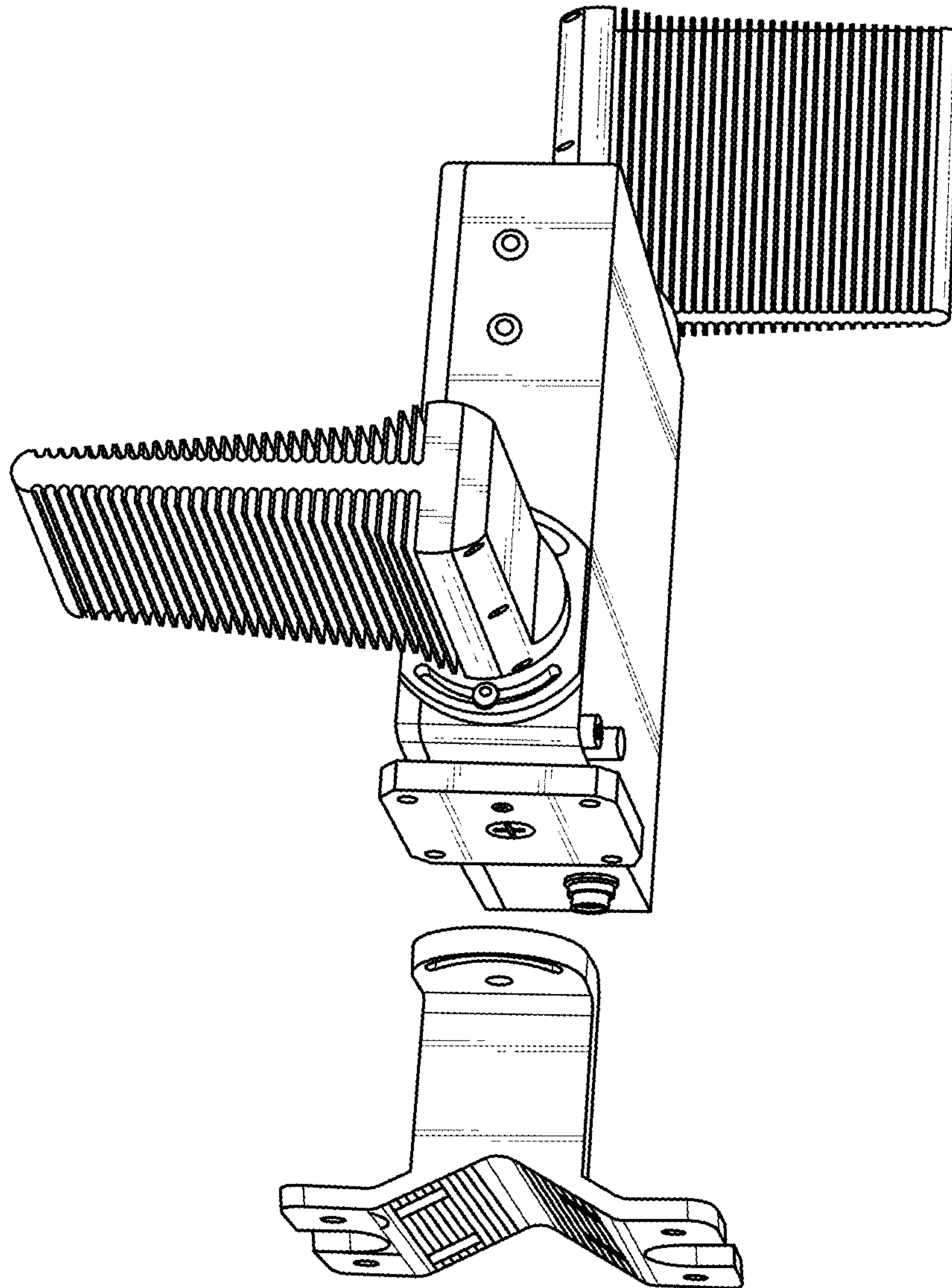


FIG. 22

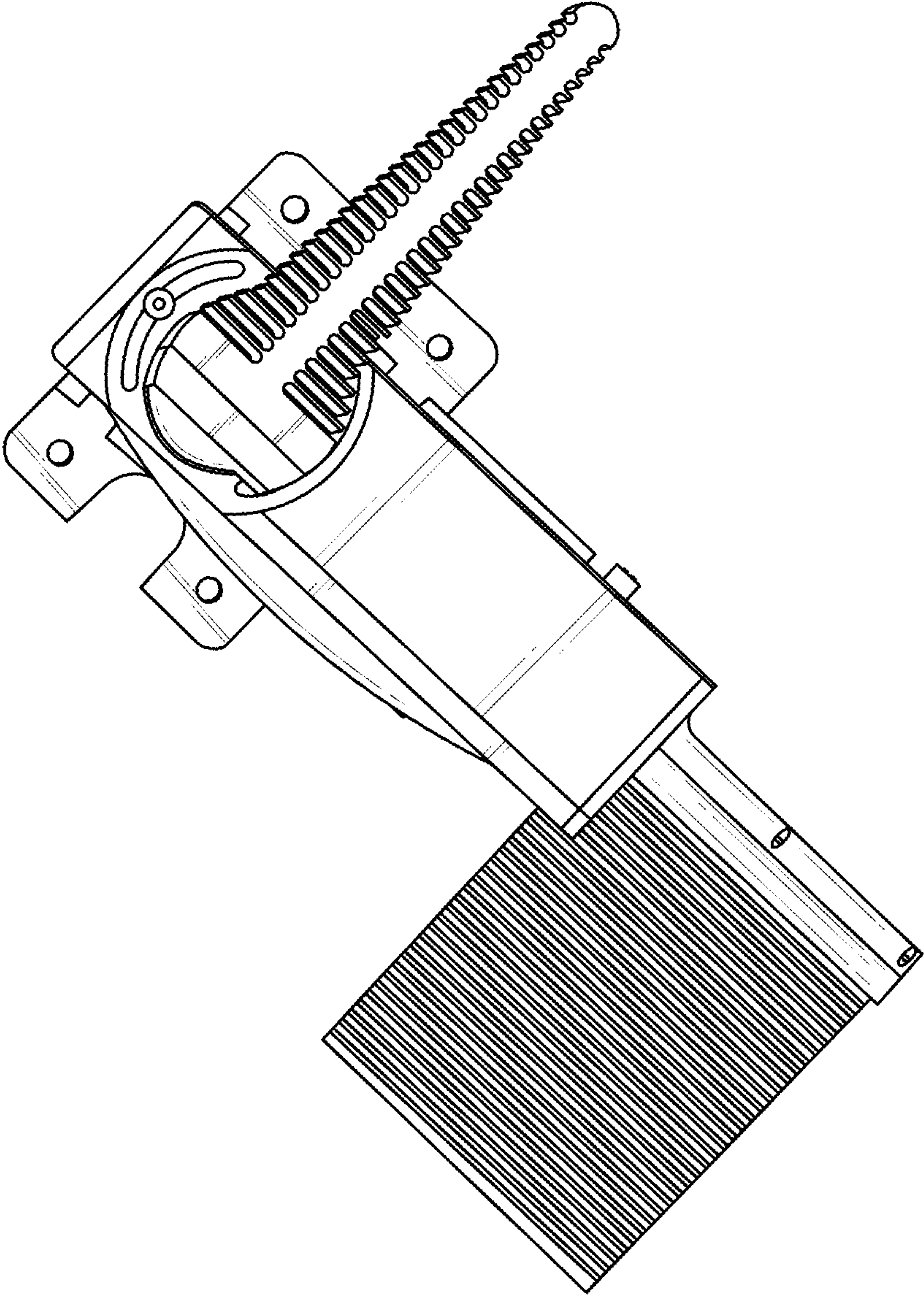


FIG. 23