

US00D966201S

(12) **United States Design Patent** (10) **Patent No.:** **US D966,201 S**
Dent (45) **Date of Patent:** **** Oct. 11, 2022**

(54) **JUNCTION BOX FOR DATA CONDUCTORS**

6,699,301 B1 * 3/2004 Eisenhauer B01D 46/0034
55/471
D507,241 S * 7/2005 Koessler D13/152
D536,779 S * 2/2007 Lerche D23/393
D589,456 S * 3/2009 Puluc D13/152
7,709,735 B2 * 5/2010 Vigorito H02G 3/14
174/67
D632,256 S * 2/2011 Higuchi D13/152
D664,633 S * 7/2012 Mangold D23/314
D682,791 S * 5/2013 Nikayin D13/152
D722,976 S * 2/2015 Okado D13/152
D737,219 S * 8/2015 Mangold D13/158
D742,325 S * 11/2015 Leung D13/152

(71) Applicant: **Stego-Holding GmbH**, Schwaebisch Hall (DE)

(72) Inventor: **Robert Dent**, Schwaebisch Hall (DE)

(73) Assignee: **STEGO-HOLDING GMBH**, Schwabisch Hall (DE)

(**) Term: **15 Years**

(21) Appl. No.: **35/510,688**

(22) Filed: **May 6, 2020**

(80) **Hague Agreement Data**

Int. Filing Date: **May 6, 2020**
Int. Reg. No.: **DM/209095**
Int. Reg. Date: **May 6, 2020**
Int. Reg. Pub. Date: **Nov. 6, 2020**

(30) **Foreign Application Priority Data**

Nov. 11, 2019 (DE) 402019101231.1

(51) **LOC (13) Cl.** **13-03**

(52) **U.S. Cl.**
USPC **D13/152**

(58) **Field of Classification Search**
USPC D13/152, 147, 158; D23/314, 393;
D3/302
CPC H01H 13/183; B01D 46/0034; H02G 3/14;
G01R 1/203; H05K 1/0201; H05K
7/20127

See application file for complete search history.

(56) **References Cited**

U.S. PATENT DOCUMENTS

5,424,588 A * 6/1995 Cantor G01R 1/203
307/154
D365,327 S * 12/1995 Reed D13/147
D408,015 S * 4/1999 Faucher D13/152
D423,461 S * 4/2000 Layton, Jr. D13/152

FOREIGN PATENT DOCUMENTS

DE 102016223835 A1 6/2017
DE 102017113807 A 12/2018
WO 2018149908 A1 8/2018

OTHER PUBLICATIONS

International Search Report dated Jul. 28, 2020 referencing PCT Application No. PCT/EP2020062687.

Primary Examiner — Rhea Shields

(74) *Attorney, Agent, or Firm* — Barnes & Thornburg LLP

(57) **CLAIM**

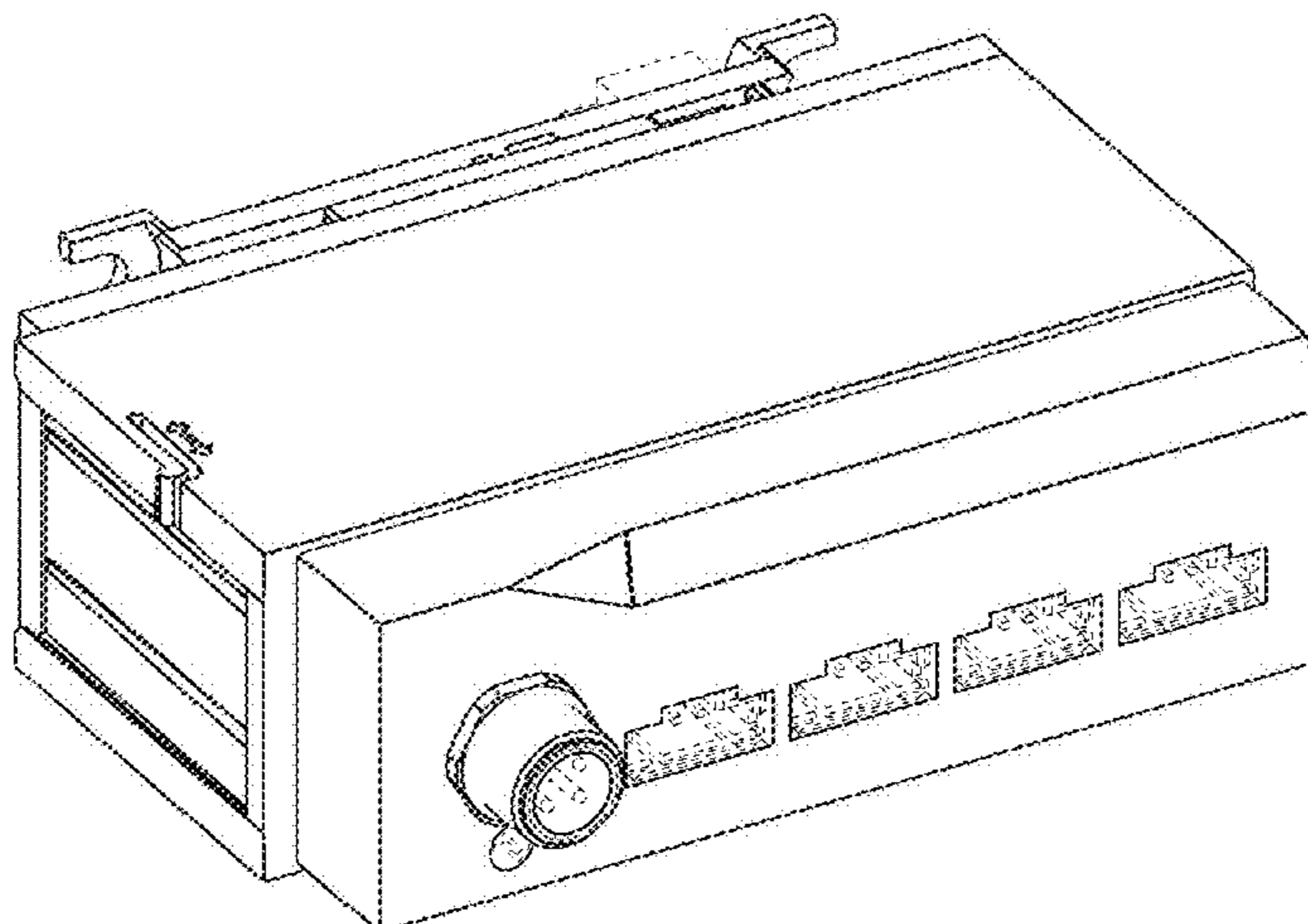
The ornamental design for a junction box for data conductors, as shown and described.

DESCRIPTION

2.1 is a perspective view;
2.2 is a front view;
2.3 is a rear view;
2.4 is a top view;
2.5 is a bottom view;
2.6 is a right side view; and
2.7 is a left side view.

The broken lines depict portions of the junction box for data conductors that form no part of the claimed design.

1 Claim, 7 Drawing Sheets



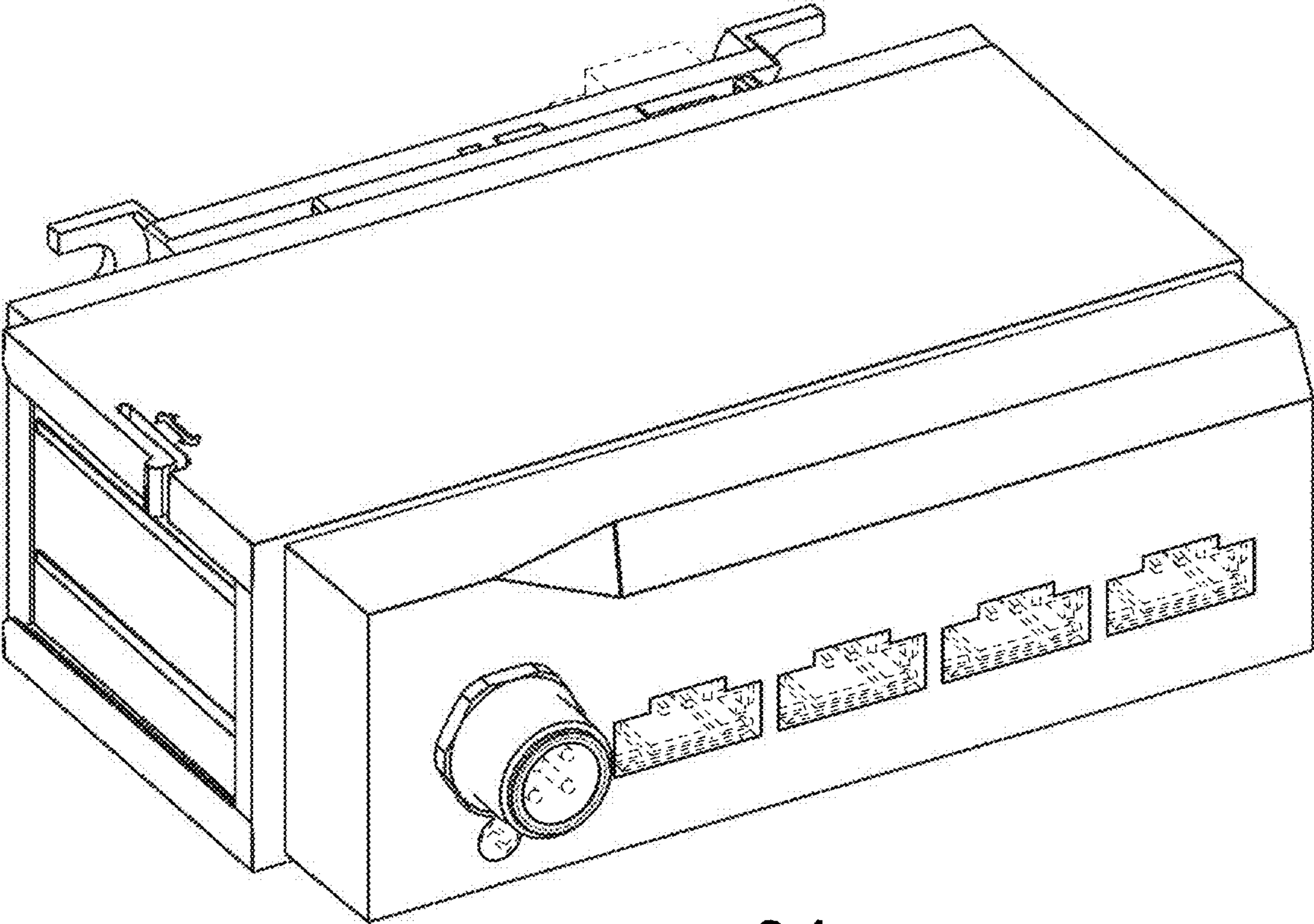
(56)

References Cited

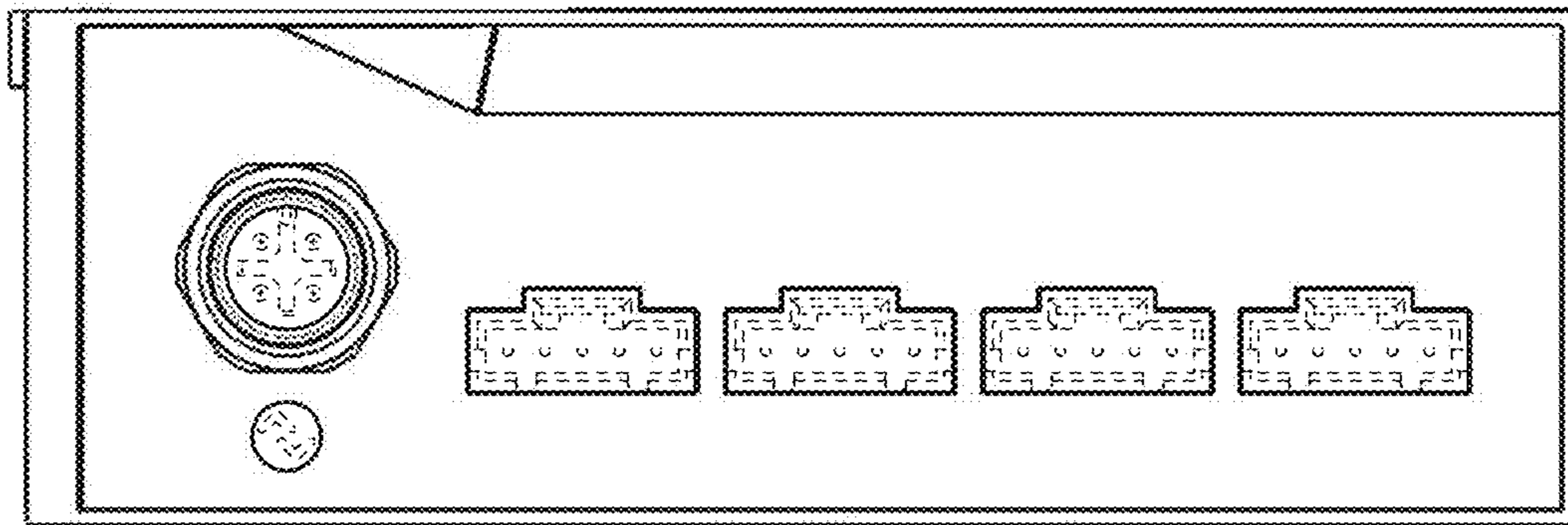
U.S. PATENT DOCUMENTS

D837,518 S * 1/2019 Chang D3/302
D914,612 S * 3/2021 Andersson D13/152
2016/0042883 A1* 2/2016 Mangold H01H 13/183
200/61.62
2017/0163366 A1 6/2017 Aichriedler
2017/0264455 A1 9/2017 Ozaki et al.
2018/0206360 A1* 7/2018 Dent H05K 7/20127
2018/0234301 A1 8/2018 Ozaki et al.
2018/0372584 A1 12/2018 Lysen et al.
2019/0043341 A1 2/2019 Wouhaybi et al.
2020/0241130 A1 7/2020 Lewandowski

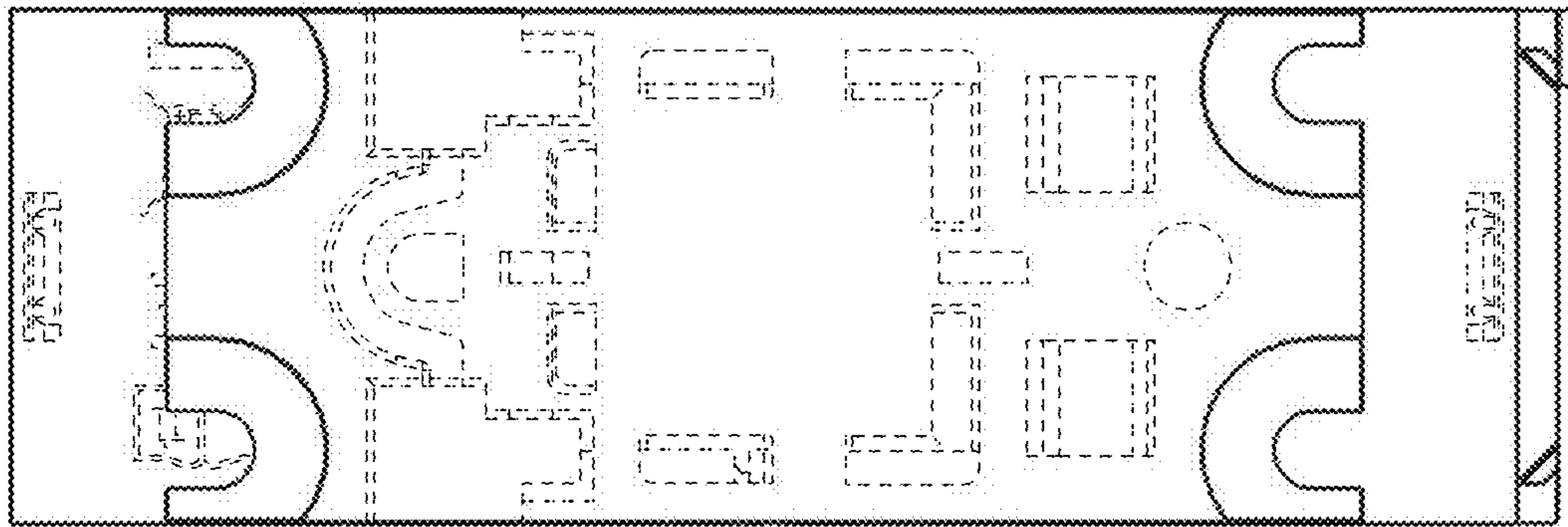
* cited by examiner



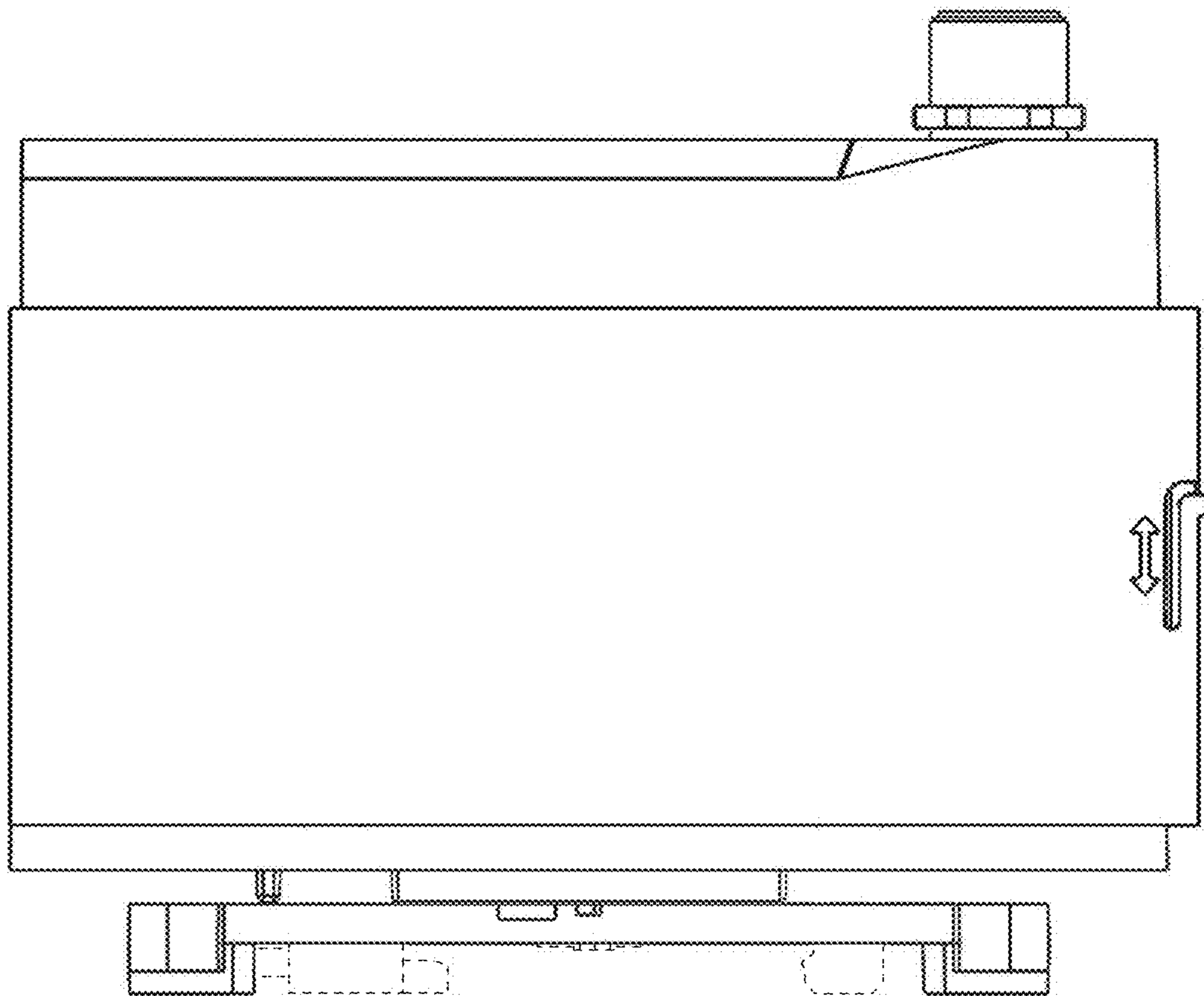
2.1



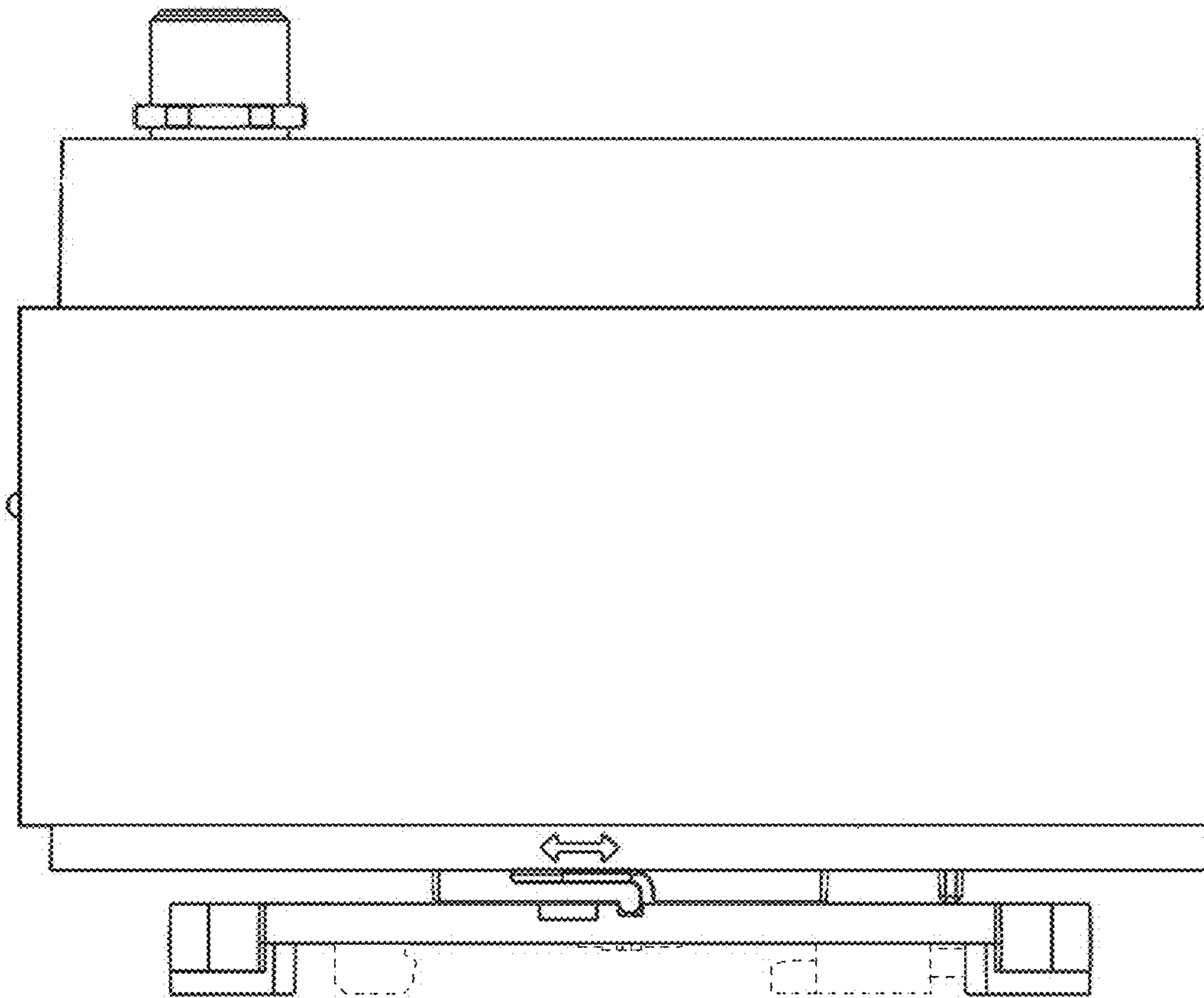
2.2



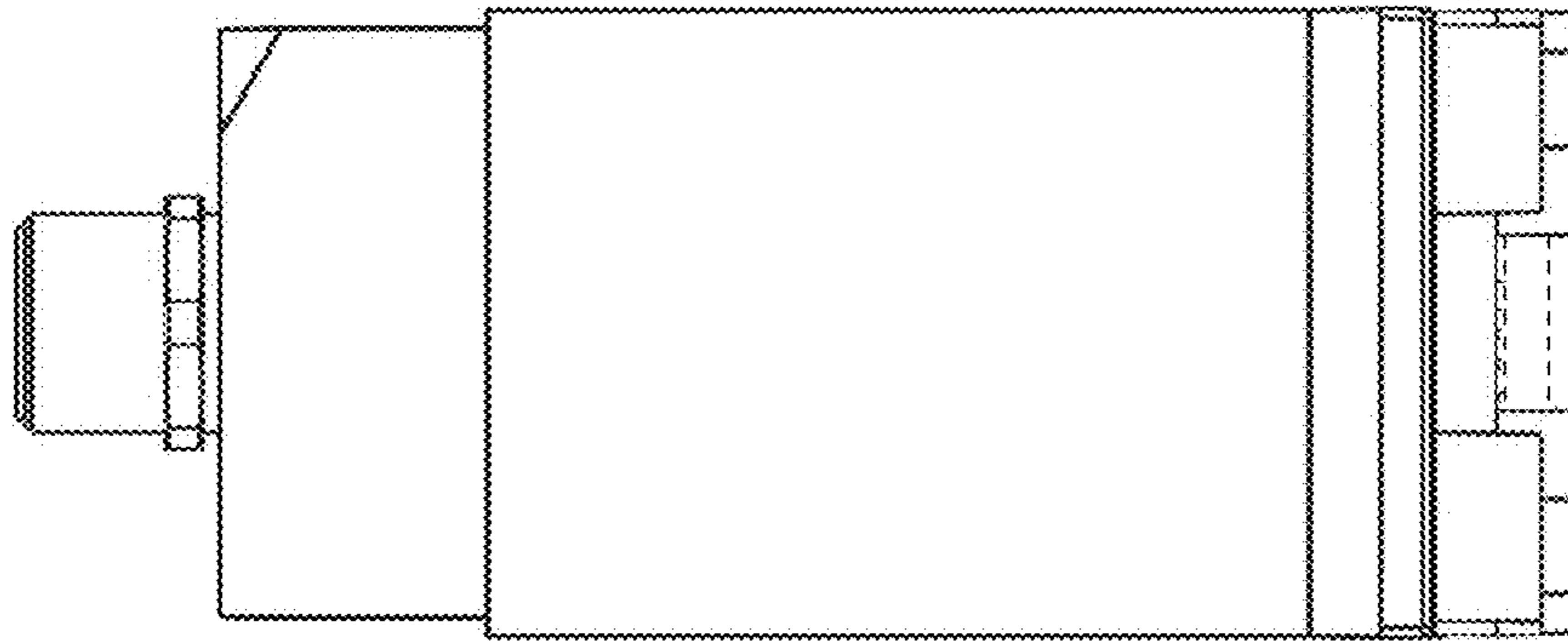
2.3



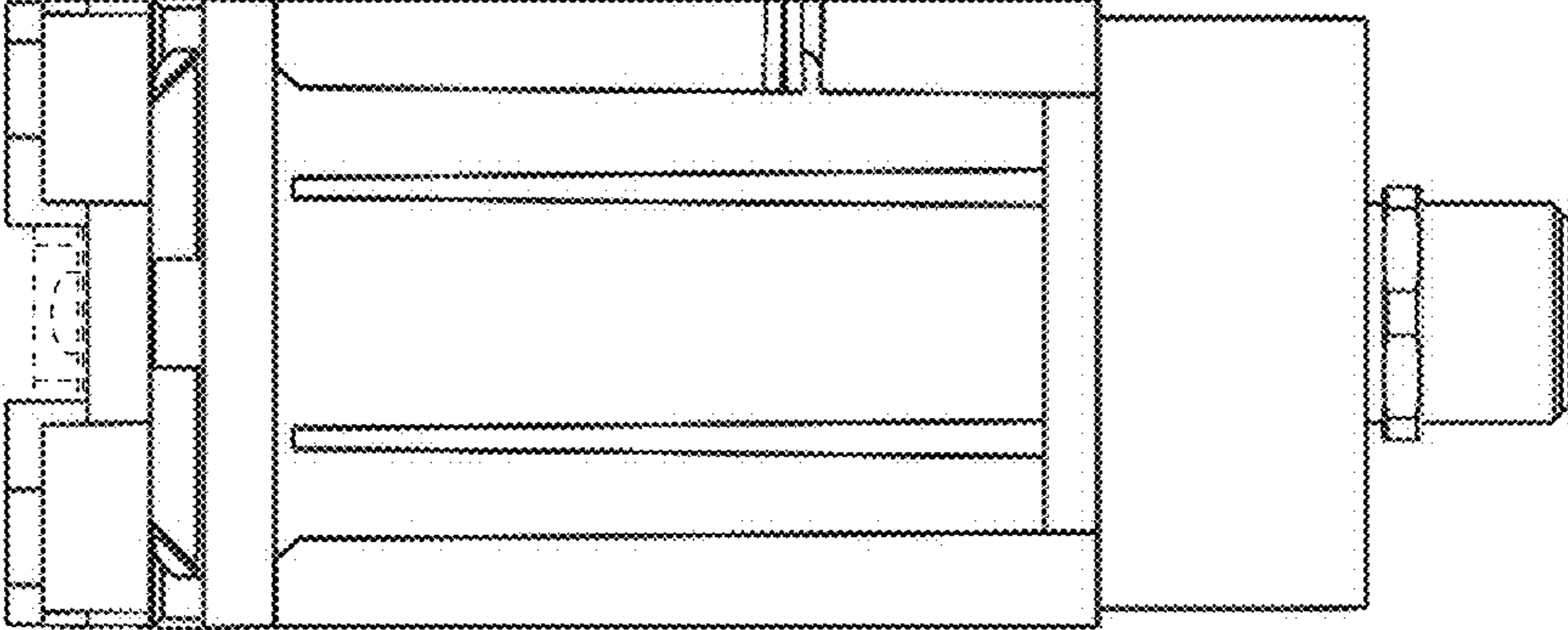
2.4



2.5



2.6



2.7