



US00D966198S

(12) **United States Design Patent**
Swai et al.

(10) **Patent No.:** **US D966,198 S**

(45) **Date of Patent:** **** Oct. 11, 2022**

(54) **CONNECTOR PLUG**

(71) Applicant: **SIGNIFY HOLDING B.V.**, Eindhoven (NL)

(72) Inventors: **Peter Swai**, Woburn, MA (US); **Kalyan Pisupati**, Reading, MA (US); **Paul Smola**, Bedford, NH (US); **Hong Zhang**, Lexington, MA (US)

(73) Assignee: **SIGNIFY HOLDING B.V.**, Eindhoven (NL)

(**) Term: **15 Years**

(21) Appl. No.: **29/720,114**

(22) Filed: **Jan. 9, 2020**

(51) **LOC (13) Cl.** **13-03**

(52) **U.S. Cl.**
USPC **D13/146**

(58) **Field of Classification Search**

USPC D13/108, 110, 118, 120, 123, 133, 146,
D13/147, 149, 151, 153, 154, 173, 184,
D13/199

CPC H01R 11/09; H01R 12/00; H01R 13/00;
H01R 13/02; H01R 13/52; H01R 13/58;
H01R 13/627; H01R 13/629; H01R
13/6581; H01R 24/00; H01R 31/02

See application file for complete search history.

(56) **References Cited**

U.S. PATENT DOCUMENTS

D214,906 S * 8/1969 Steinmeyer D13/173
D404,701 S * 1/1999 Wang D12/209

D570,757 S * 6/2008 Kiesel D12/209
D586,743 S * 2/2009 Guccione D13/107
D592,042 S * 5/2009 Brodbeck D8/375
D744,796 S * 12/2015 Hsieh D8/25
D788,358 S * 5/2017 Sonneman D26/138
D811,334 S * 2/2018 Weng D13/133
D816,576 S * 5/2018 Park D12/209
D890,761 S * 7/2020 Borthne-Trygslund ... D14/435.1
D901,428 S * 11/2020 Zhang D14/149
2005/0130465 A1 * 6/2005 Ostendorp H02G 7/18
439/91

* cited by examiner

Primary Examiner — Shawn T Gingrich

(74) *Attorney, Agent, or Firm* — Daniel J. Piotrowski

(57) **CLAIM**

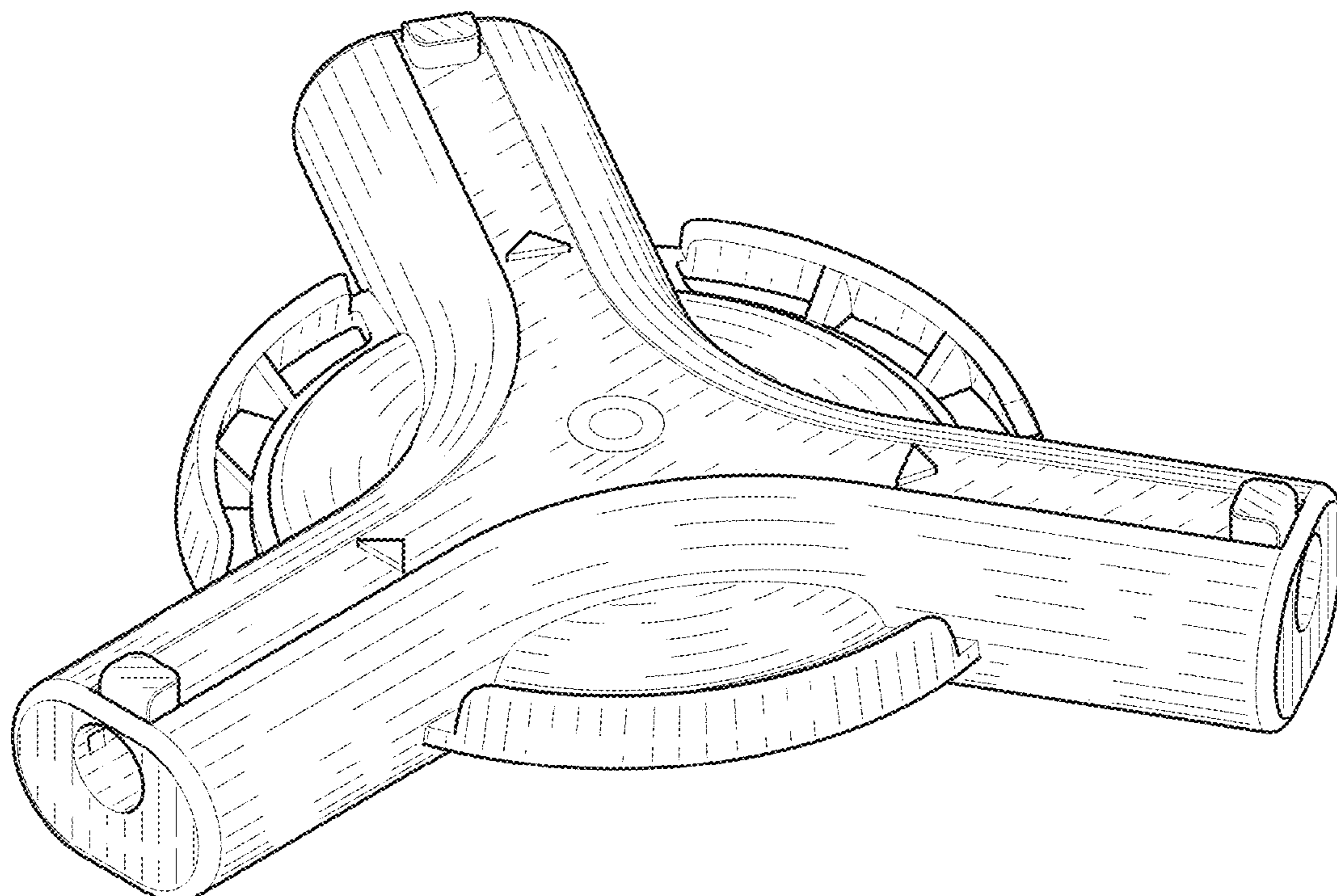
The ornamental design for connector plug, as shown and described.

DESCRIPTION

FIG. 1 is a perspective view showing our new design; FIG. 2 is a front elevational view thereof; FIG. 3 is a rear elevational view thereof; FIG. 4 is a right side elevational view thereof; FIG. 5 is a left side elevational view thereof; FIG. 6 is a top plan view thereof; and, FIG. 7 is a bottom plan view thereof.

The broken lines in the drawings illustrate portions of the connector plug that form not part of the claimed design.

1 Claim, 4 Drawing Sheets



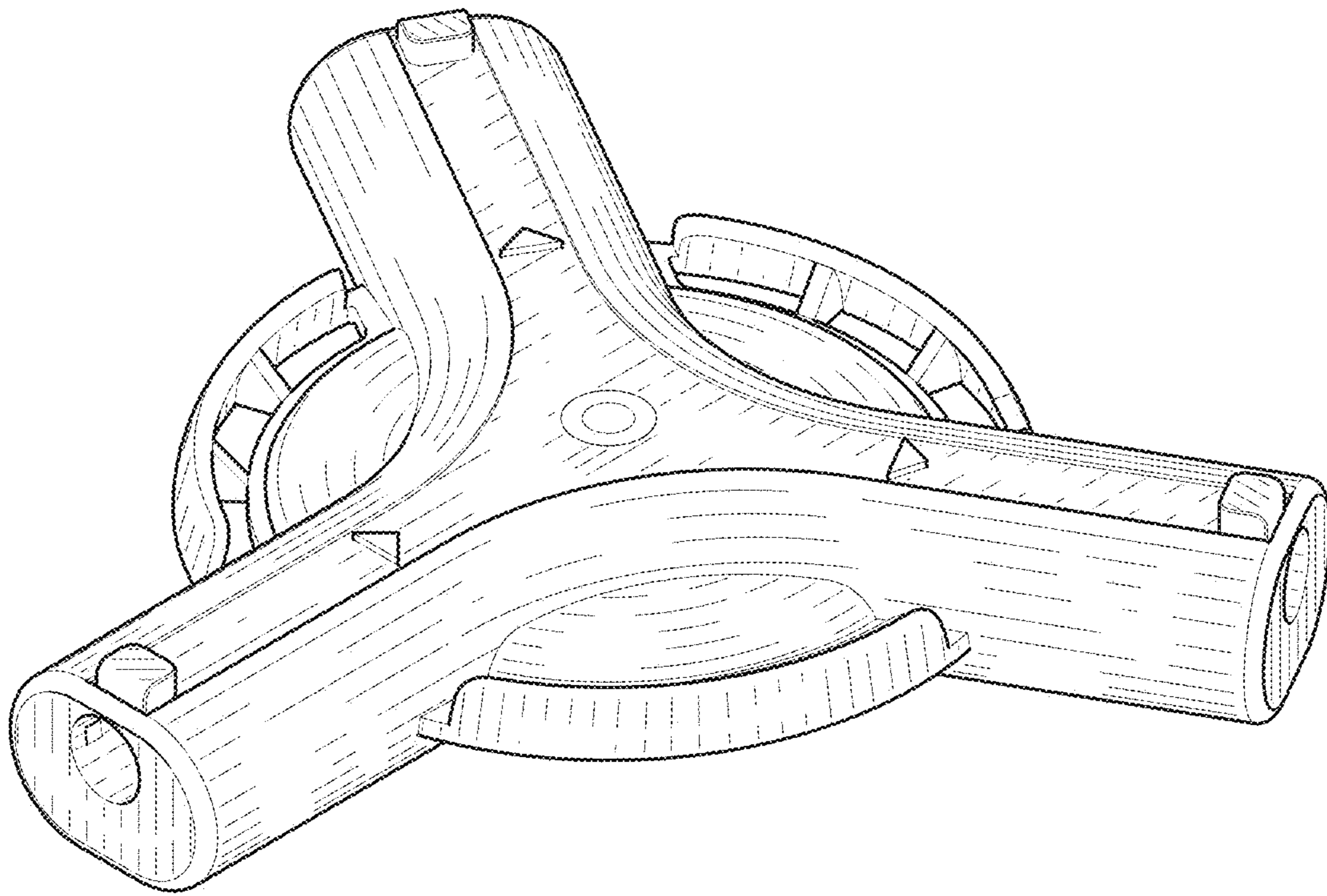


FIG. 1

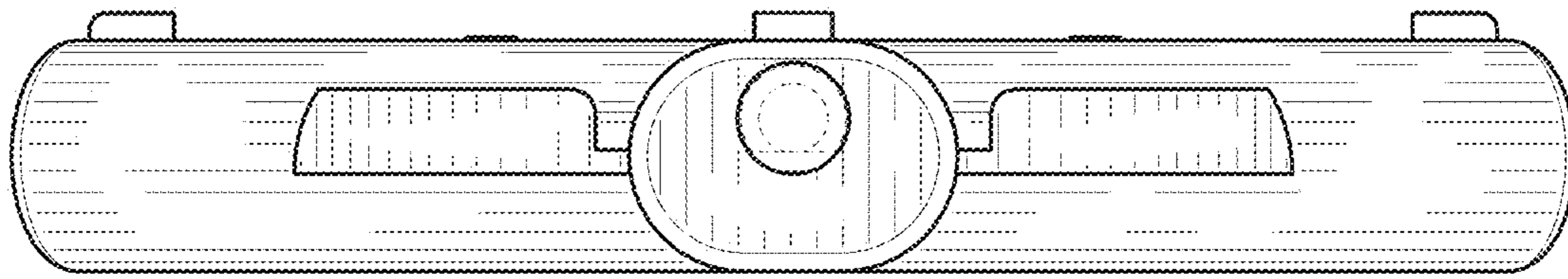


FIG. 2

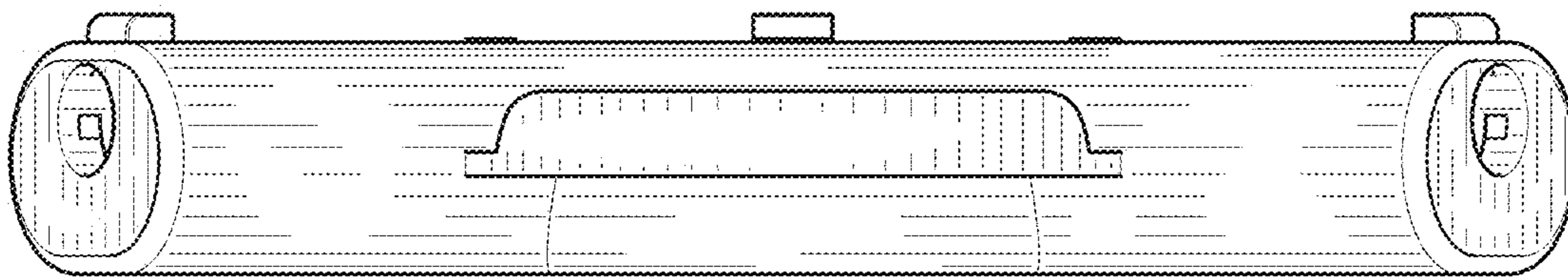


FIG. 3

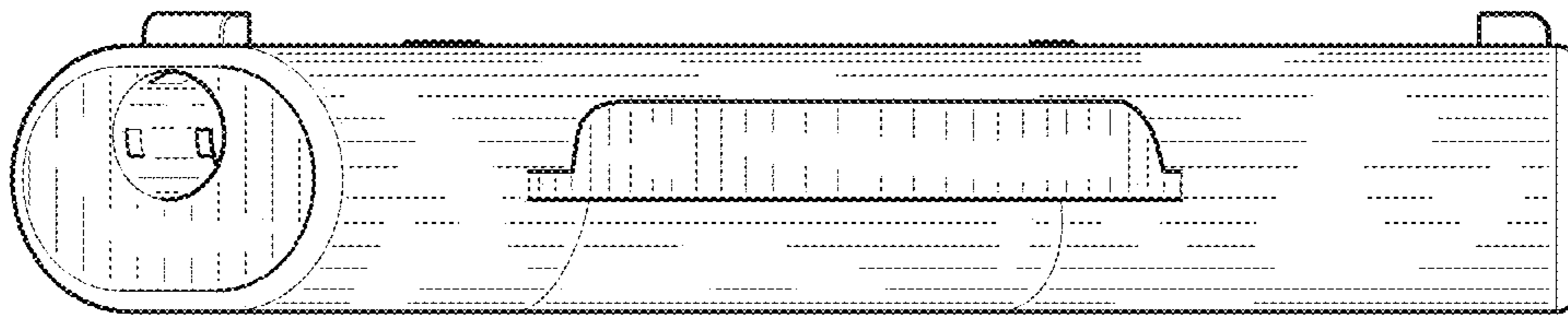


FIG. 4

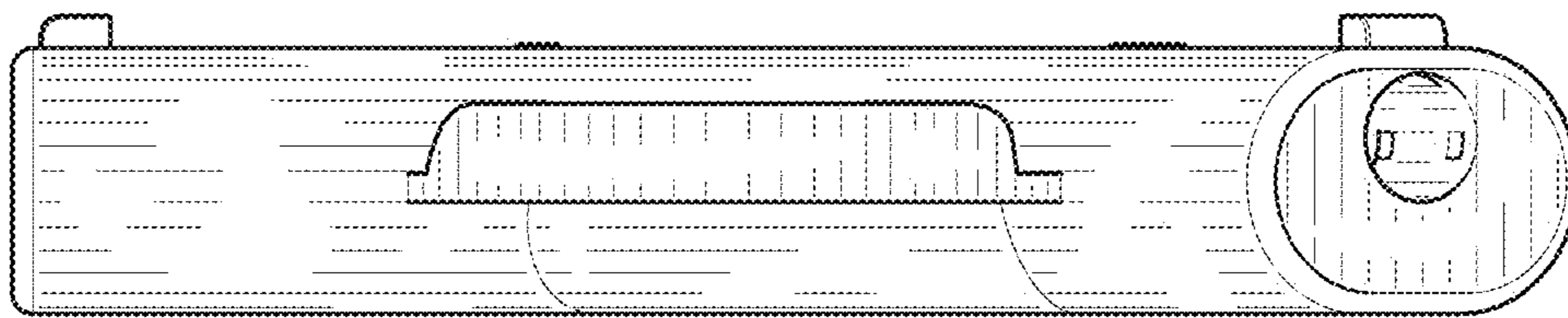


FIG. 5

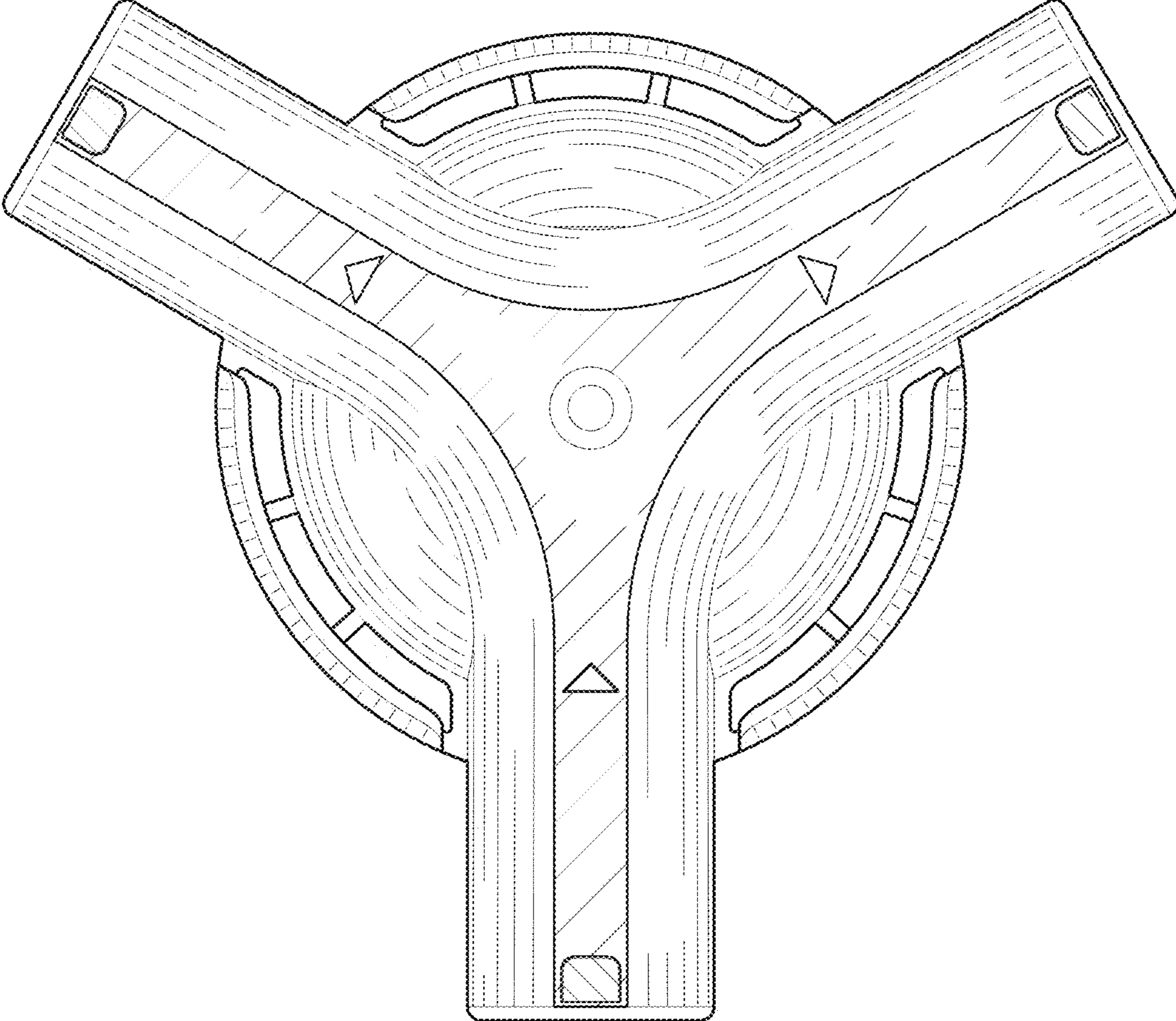


FIG. 6

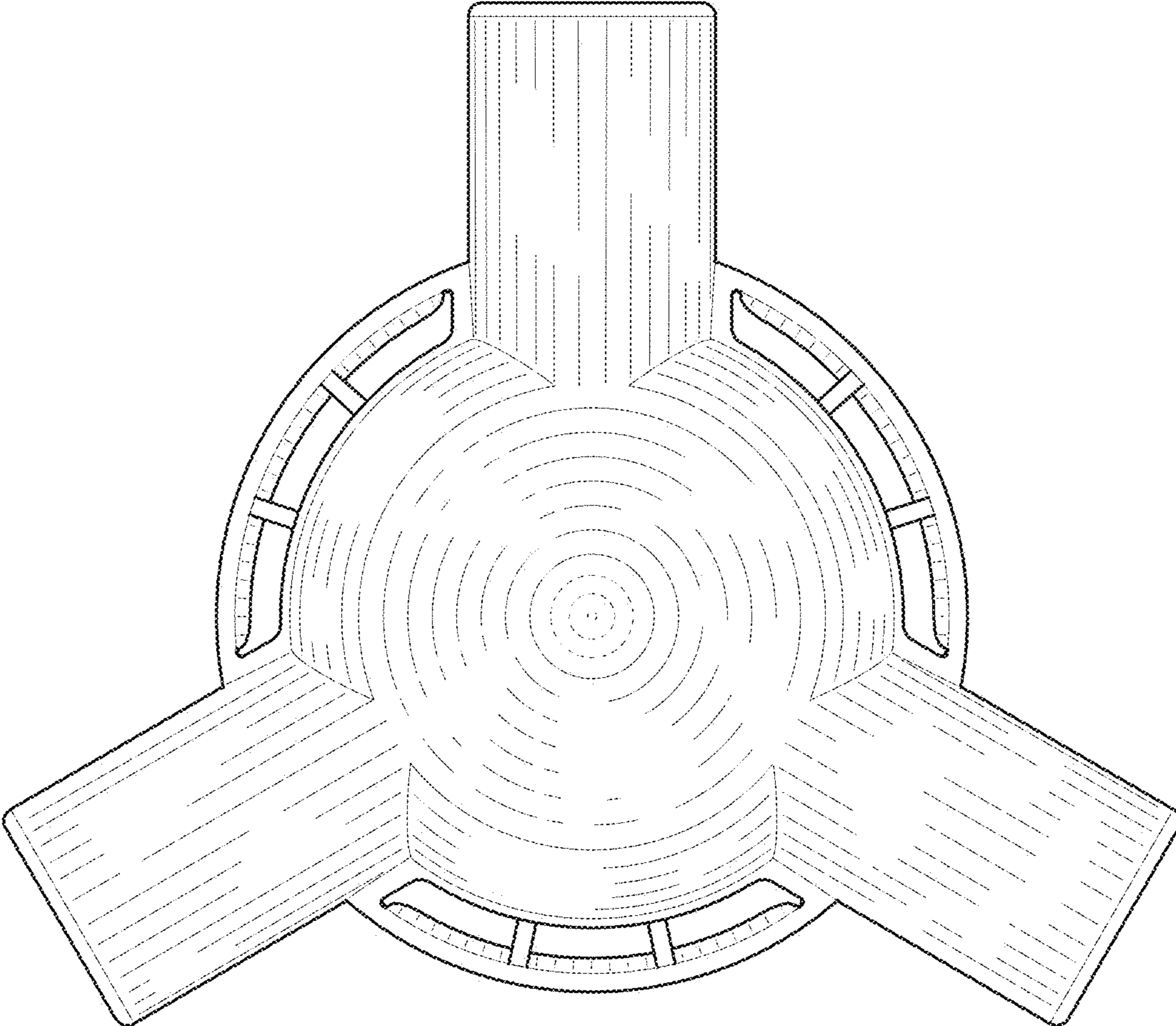


FIG. 7