



US00D966194S

(12) **United States Design Patent** (10) **Patent No.:** **US D966,194 S**
Loor Canizares (45) **Date of Patent:** **** Oct. 11, 2022**

(54) **PLUG ADAPTER**
 (71) Applicant: **Amazon Technologies, Inc.**, Seattle, WA (US)
 (72) Inventor: **Wilfrido Loor Canizares**, San Francisco, CA (US)
 (73) Assignee: **Amazon Technologies, Inc.**, Seattle, WA (US)

D861,613 S * 10/2019 Dai D13/137.2
 D872,695 S * 1/2020 Bo D13/137.2
 D874,403 S * 2/2020 Canizares D13/137.2
 D880,425 S * 4/2020 Chen D13/137.3
 D881,809 S * 4/2020 Lyu D13/137.2
 D903,601 S * 12/2020 Tseng D13/137.2
 D906,987 S * 1/2021 Cox D13/138.2
 D909,305 S * 2/2021 Shaopeng D13/137.2
 D909,306 S * 2/2021 Shaopeng D13/137.2
 D909,307 S * 2/2021 Shaopeng D13/137.2
 D909,308 S * 2/2021 Shaopeng D13/137.2

(Continued)

(**) Term: **15 Years**
 (21) Appl. No.: **29/733,766**

(22) Filed: **May 6, 2020**
 (51) **LOC (13) Cl.** **13-03**
 (52) **U.S. Cl.**
 USPC **D13/137.2**
 (58) **Field of Classification Search**
 USPC D13/137.1–137.4, 138.1, 138.2,
 D13/139.1–139.7, 108; D7/641;
 D10/118; D14/240, 496
 CPC H01Q 1/246; H05K 1/115
 See application file for complete search history.

OTHER PUBLICATIONS

The Indian Office Action dated Jun. 10, 2020 for Indian Patent Application No. 329199-001, a counterpart of U.S. Appl. No. 29/733,766, 2 pages.

(Continued)

Primary Examiner — Rhea Shields
 (74) *Attorney, Agent, or Firm* — Lee & Hayes, P.C.

(57) **CLAIM**

The ornamental design for a plug adapter, as shown and described.

(56) **References Cited**

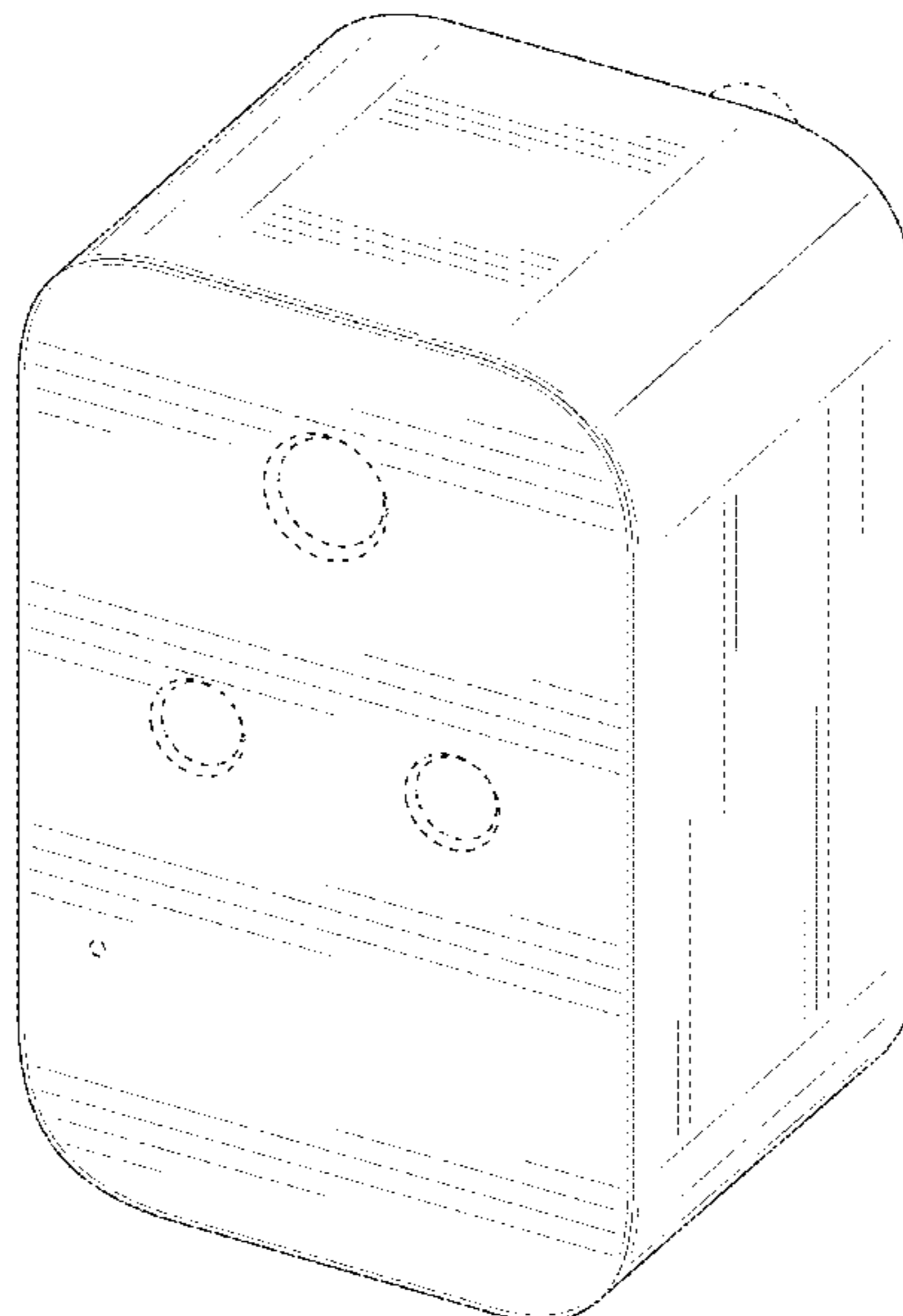
U.S. PATENT DOCUMENTS

D609,642 S * 2/2010 Gandolfi D13/137.2
 D665,354 S * 8/2012 Chen D13/138.1
 D753,063 S * 4/2016 Gelonese D13/137.2
 D763,795 S * 8/2016 Xu D13/137.1
 D776,057 S * 1/2017 Burke D13/137.2
 D776,493 S * 1/2017 McConnell D7/641
 D822,651 S * 7/2018 Gutteridge D14/240
 D841,591 S * 2/2019 Byrne D13/139.4
 D843,943 S * 3/2019 Yang D13/137.2
 D848,948 S * 5/2019 Wei D13/137.2
 D852,138 S * 6/2019 Wen D13/137.1
 D852,139 S * 6/2019 Wen D13/137.1
 D856,934 S * 8/2019 Levy D13/137.2
 D860,028 S * 9/2019 Gan D10/118

DESCRIPTION

FIG. 1 is a top, front, right-side perspective view of a plug adapter;
 FIG. 2 is a bottom, back, left-side perspective view thereof;
 FIG. 3 is a front view thereof;
 FIG. 4 is a back view thereof;
 FIG. 5 is a left-side view thereof;
 FIG. 6 is a right-side view thereof;
 FIG. 7 is a top view thereof; and,
 FIG. 8 is a bottom view thereof.
 The dashed broken lines depict portions of the plug adapter that form no part of the claimed design.

1 Claim, 8 Drawing Sheets



(56)

References Cited

U.S. PATENT DOCUMENTS

D911,969 S * 3/2021 Canizares D13/137.2
D923,576 S * 6/2021 Lyu D13/137.2
D932,456 S * 10/2021 Paterson D14/496
D934,177 S * 10/2021 Canizares D13/137.2
D937,781 S * 12/2021 Chen D13/137.2
D938,361 S * 12/2021 Chang D13/137.2
D946,532 S * 3/2022 Fu D13/137.2
D947,767 S * 4/2022 Sieckowski D13/108

OTHER PUBLICATIONS

Japanese Office Action dated May 14, 2021 for Japanese Patent Application No. 2020-023856, a foreign counterpart to U.S. Appl. No. 29/733,766, 3 pages.

* cited by examiner

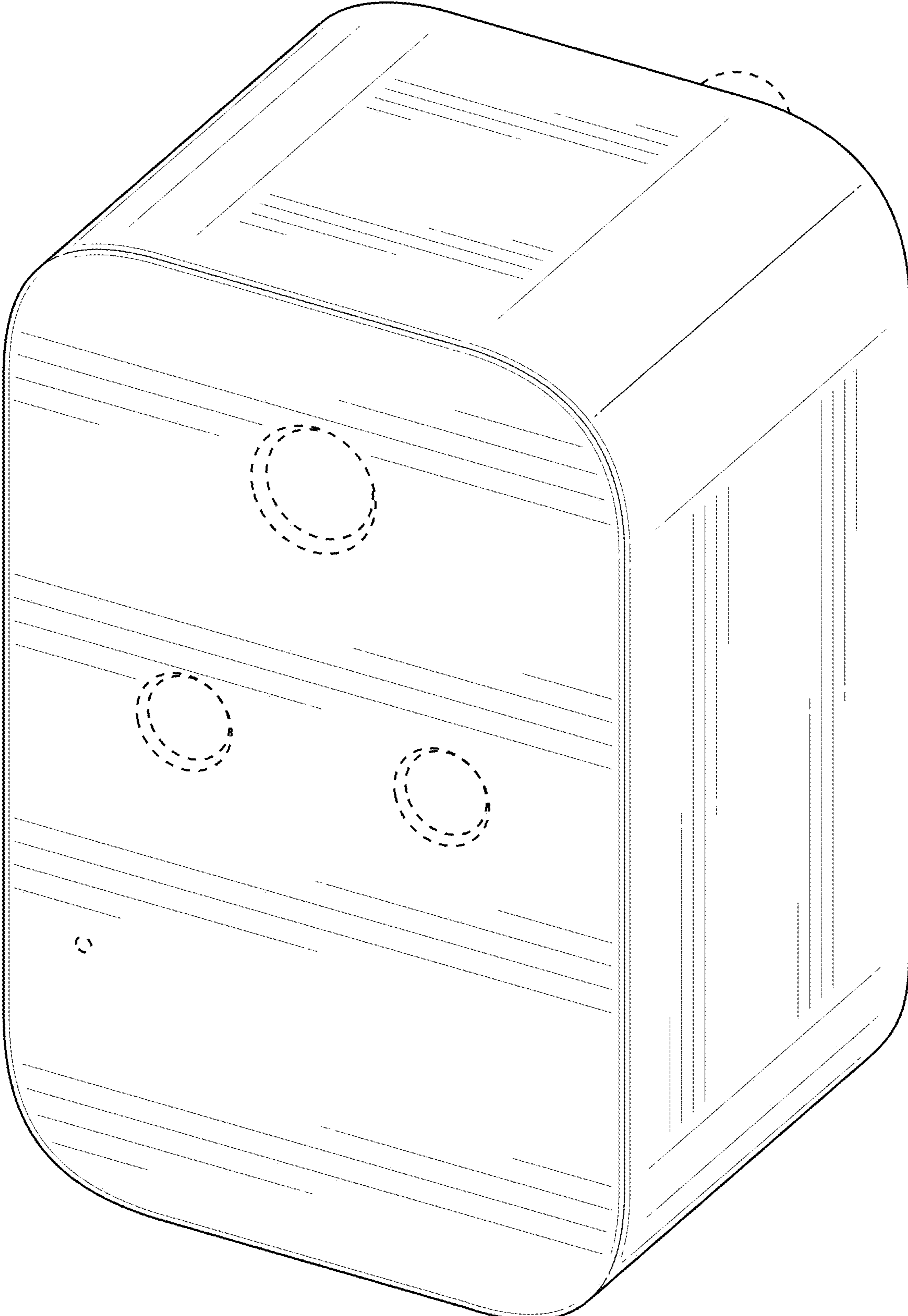


FIG. 1

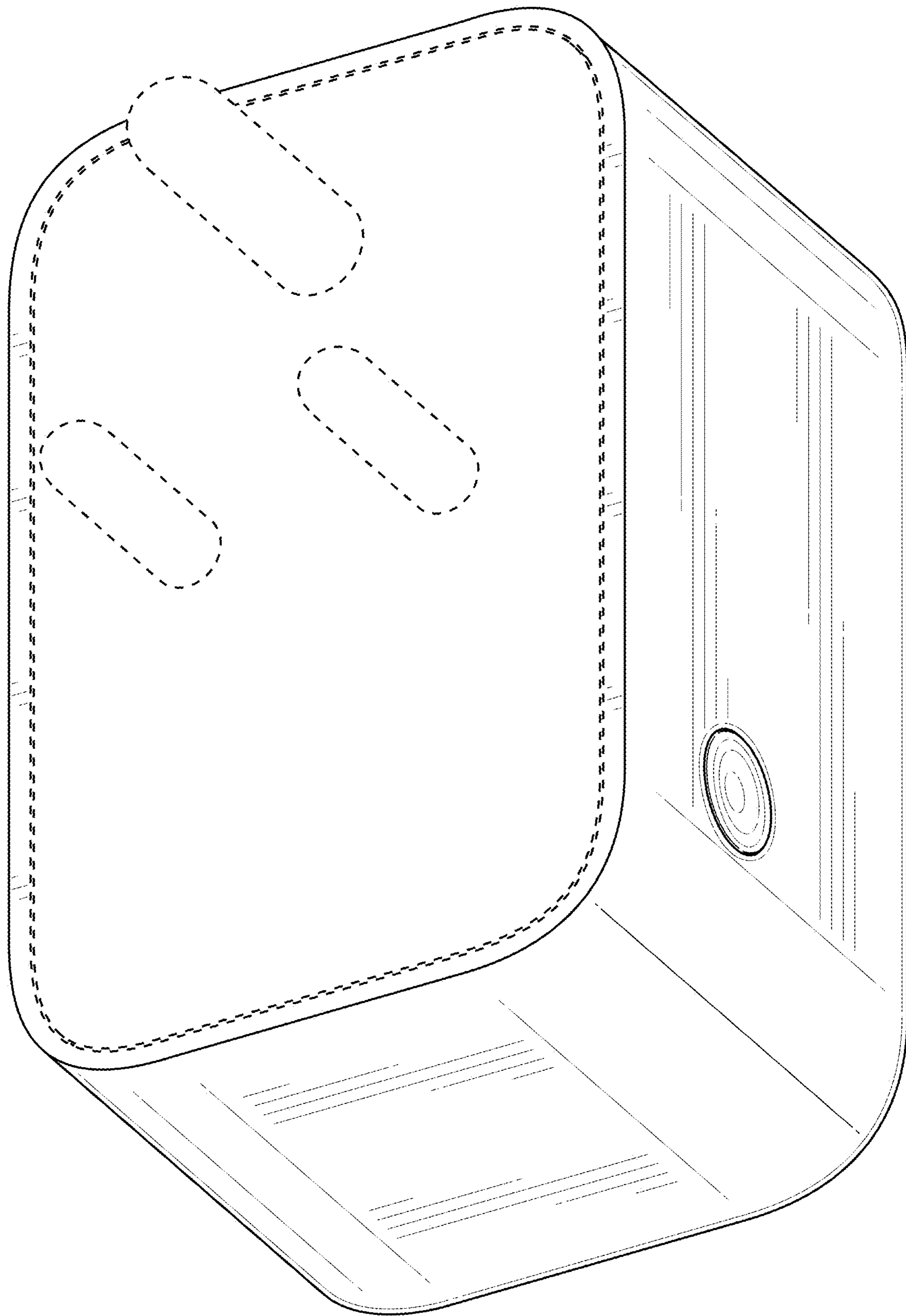


FIG. 2

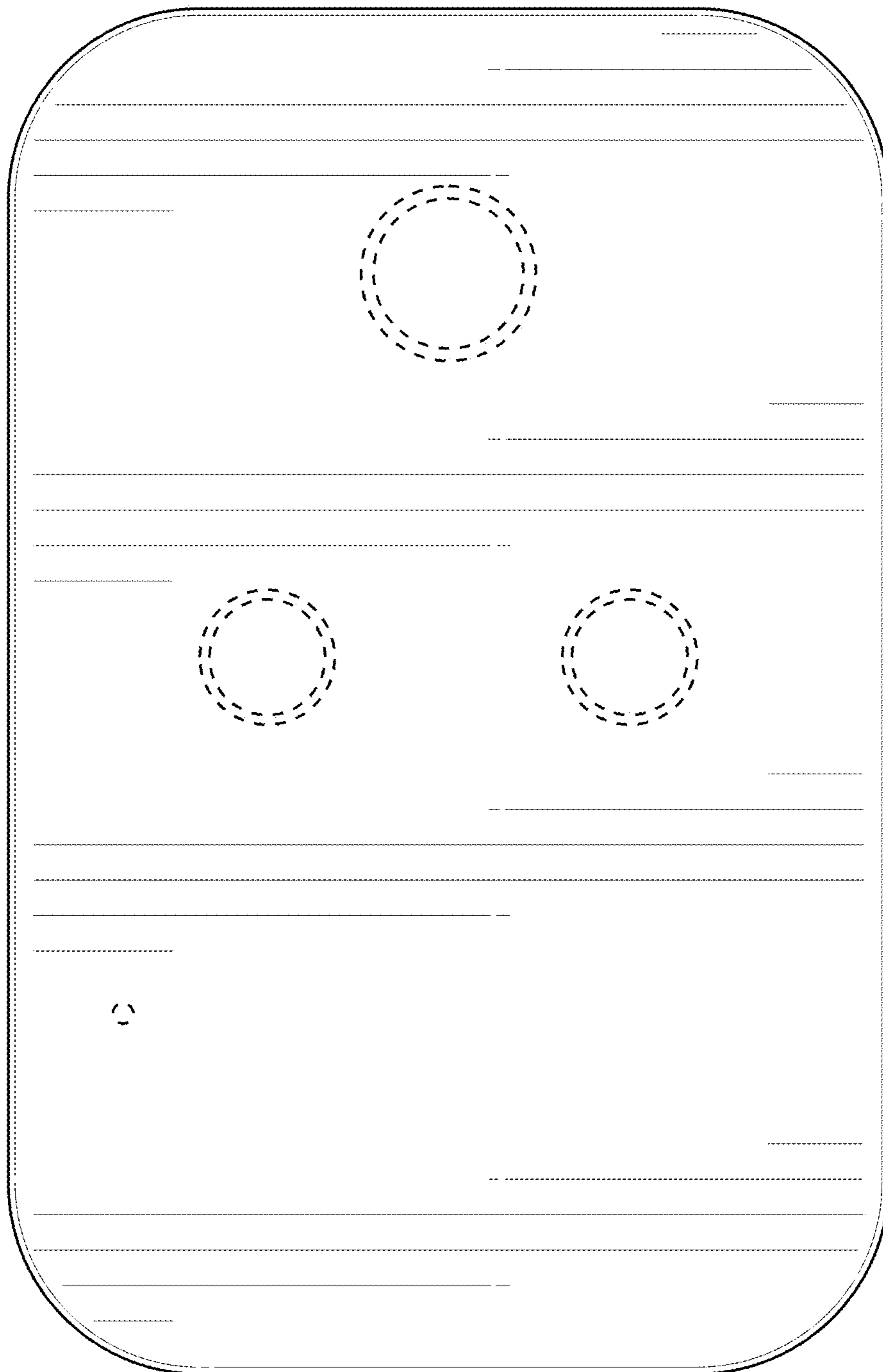


FIG. 3

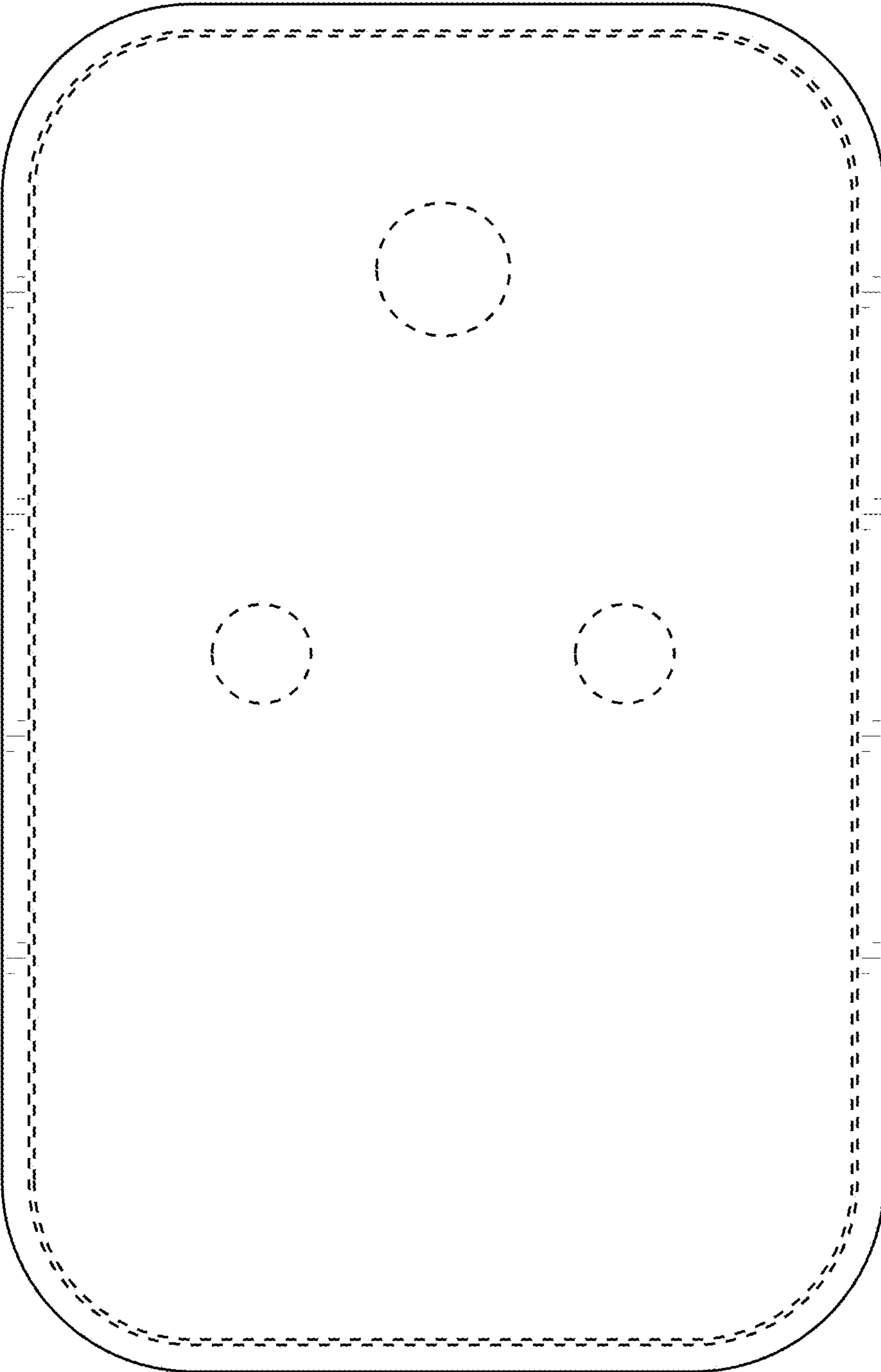


FIG. 4

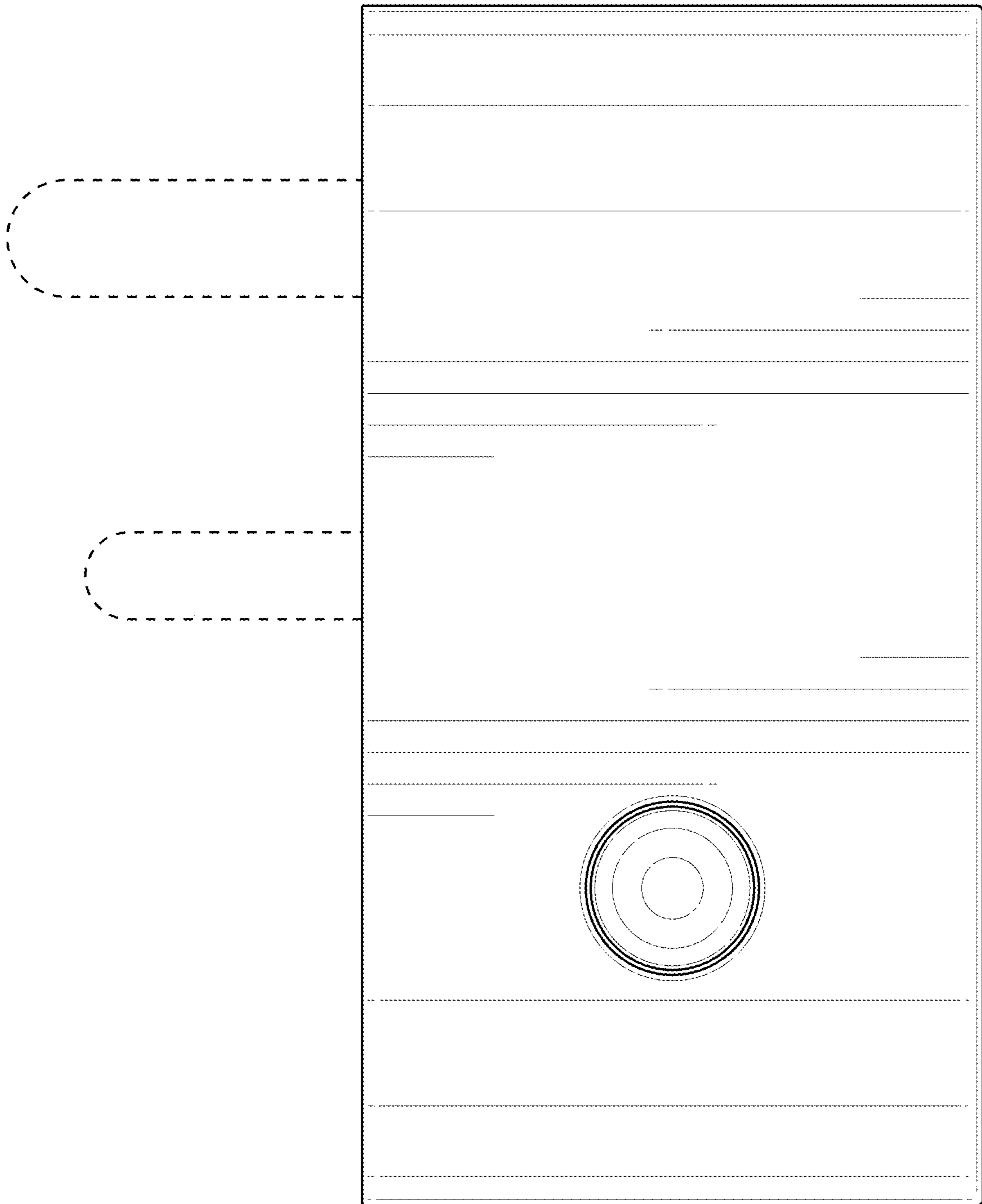


FIG. 5

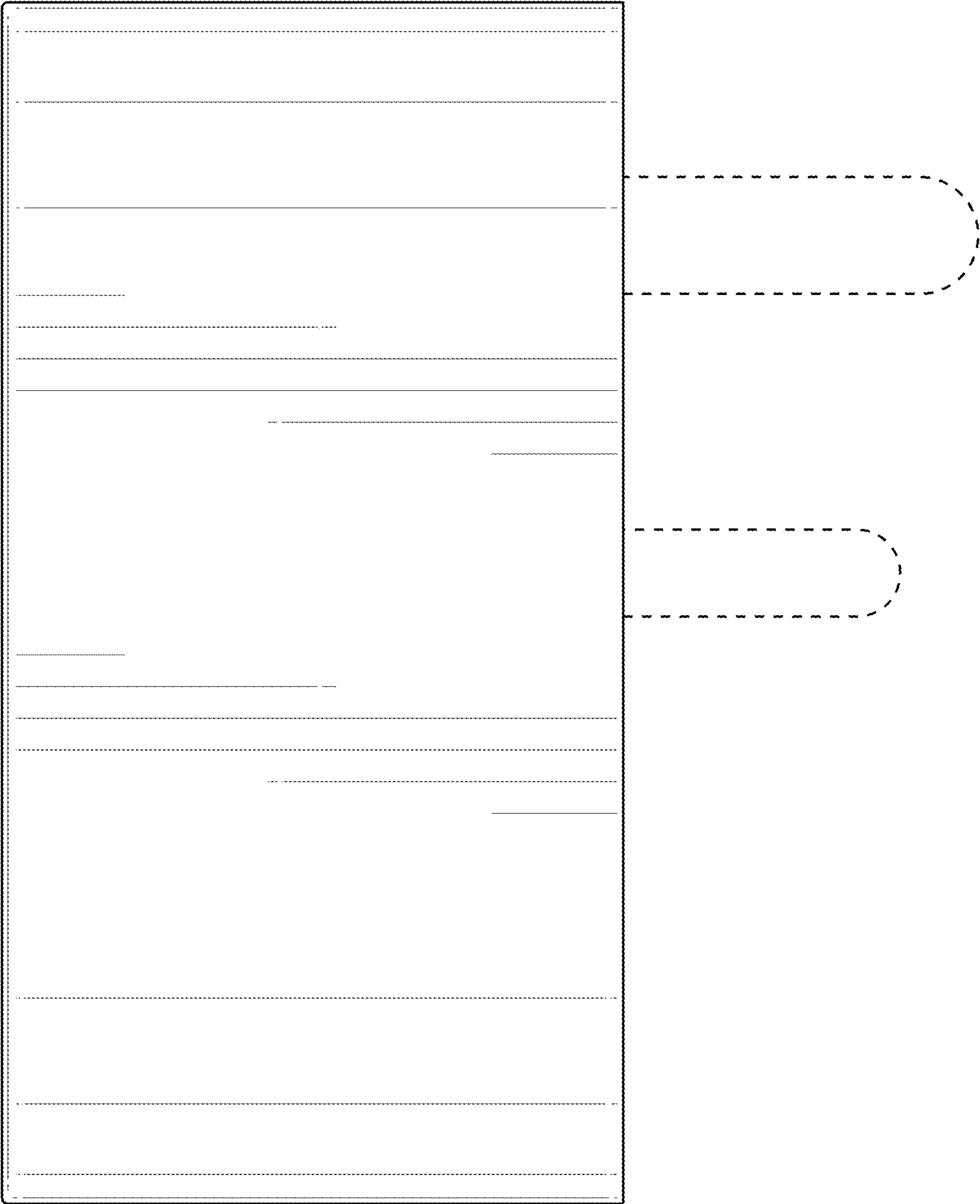


FIG. 6

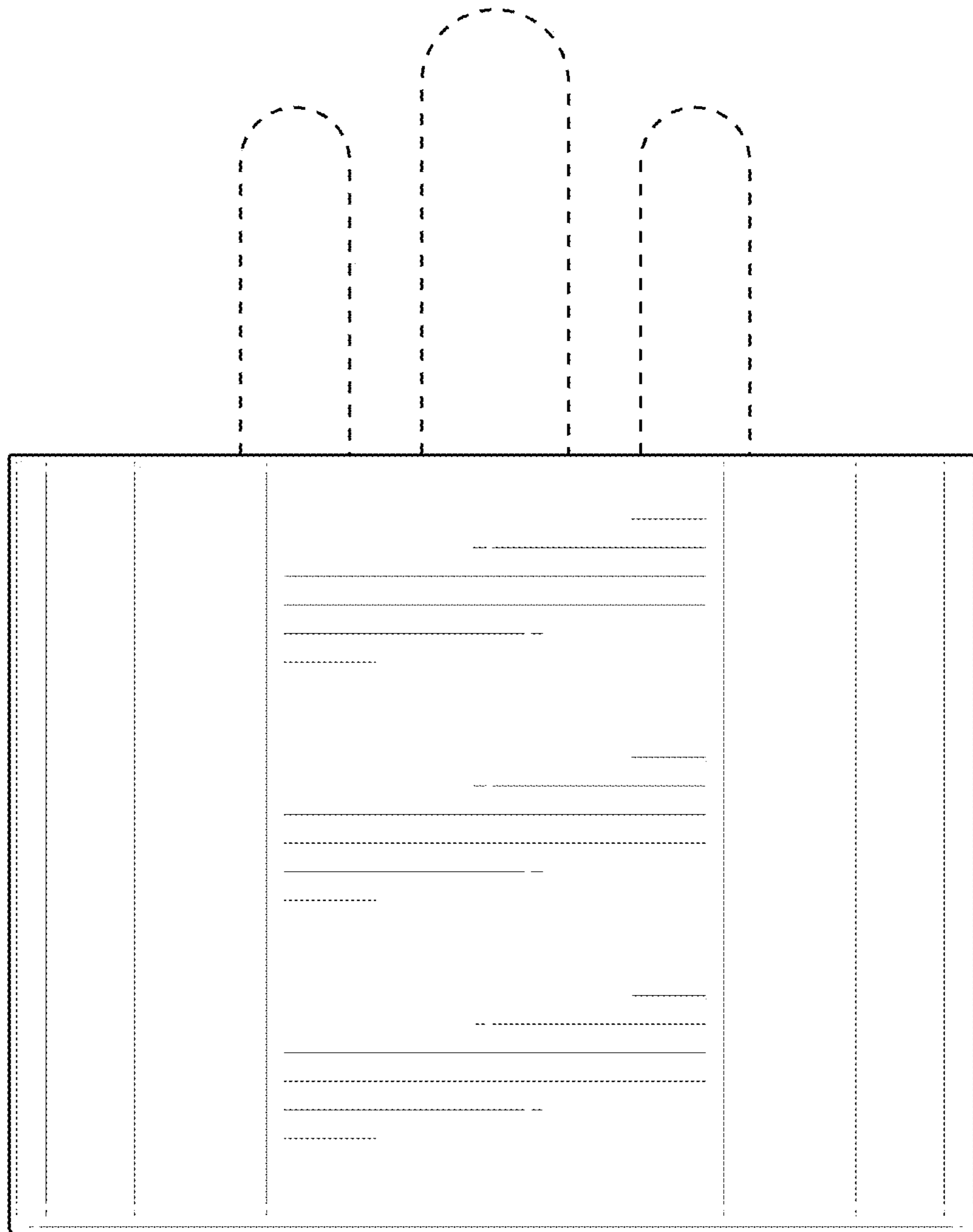


FIG. 7

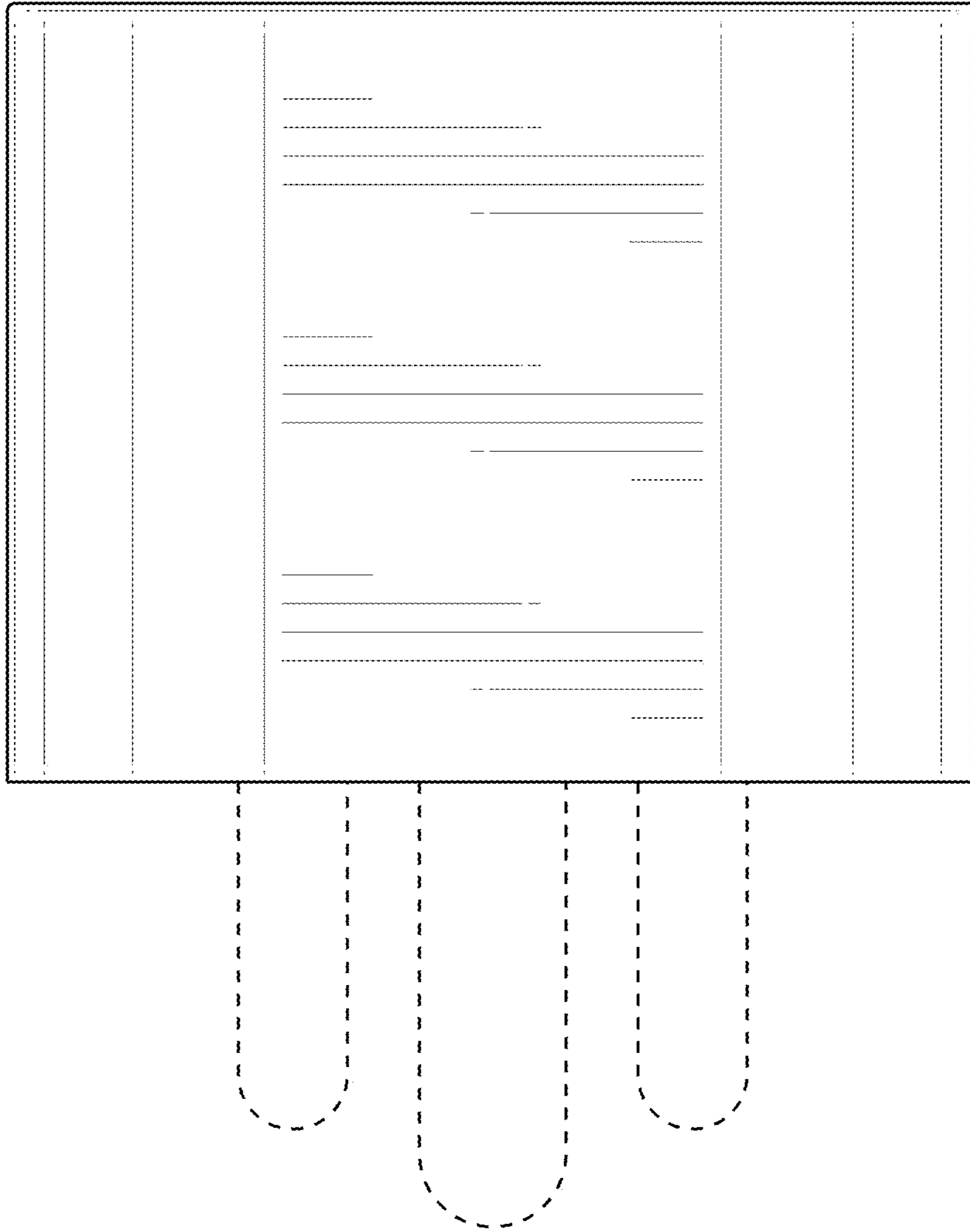


FIG. 8