



US00D966192S

(12) **United States Design Patent**  
**Yoneta et al.**

(10) **Patent No.:** **US D966,192 S**  
(45) **Date of Patent:** **\*\* Oct. 11, 2022**

(54) **HANDLE FOR STORAGE BATTERY**

D816,605 S \* 5/2018 Rowe ..... D13/103  
D841,574 S \* 2/2019 Ma ..... D13/103  
D846,494 S 4/2019 Takahashi

(71) Applicant: **HONDA MOTOR CO., LTD.**, Tokyo (JP)

(72) Inventors: **Kosuke Yoneta**, Wako (JP); **Takuya Kadono**, Yamato (JP)

(73) Assignee: **HONDA MOTOR CO., LTD.**, Tokyo (JP)

(\*\*) Term: **15 Years**

(21) Appl. No.: **29/764,303**

(22) Filed: **Dec. 29, 2020**

(30) **Foreign Application Priority Data**

Jul. 3, 2020 (JP) ..... 2020-013630 D

(51) **LOC (13) Cl.** ..... **13-02**

(52) **U.S. Cl.**  
USPC ..... **D13/119; D13/103**

(58) **Field of Classification Search**  
USPC ..... D13/119, 120, 103, 148, 149, 151  
CPC ..... H01M 50/147; H01R 11/283  
See application file for complete search history.

(56) **References Cited**

**U.S. PATENT DOCUMENTS**

D235,454 S \* 6/1975 Lindow, Jr. .... D13/103  
D449,578 S \* 10/2001 Rogers ..... D13/119  
D733,048 S \* 6/2015 Inskip ..... D13/107  
D762,165 S \* 7/2016 Rowe ..... D13/103  
D780,686 S \* 3/2017 Glasow ..... D13/103  
9,914,501 B2 \* 3/2018 Marioni ..... B60L 50/20

**OTHER PUBLICATIONS**

Global.honda.com. "Honda Introduces Initiatives for the Utilization of Honda Mobile Power Pack, portable and swappable batteries" Date accessed: Jun. 2022. Date Published: Oct. 2021. <https://global.honda/newsroom/news/2021/c211029beng.html> (Year: 2021).\*

\* cited by examiner

*Primary Examiner* — Jennifer O King

(74) *Attorney, Agent, or Firm* — Birch, Stewart, Kolasch & Birch, LLP

(57) **CLAIM**

The ornamental design for a handle for storage battery, as shown and described.

**DESCRIPTION**

FIG. 1 is a First Front Perspective View of a handle for storage battery, showing my new design.  
FIG. 2 is a Rear Perspective View thereof.  
FIG. 3 is a Front Elevational View thereof.  
FIG. 4 is a Rear Elevational View thereof.  
FIG. 5 is a Right Side Elevational View thereof.  
FIG. 6 is a Left Side Elevational View thereof.  
FIG. 7 is a Top Plan View thereof.  
FIG. 8 is a Bottom Plan View thereof; and,  
FIG. 9 is a Second Front Perspective View thereof.  
The portions shown in broken lines illustrate the environment of the design and form no part of the claimed design.

**1 Claim, 9 Drawing Sheets**

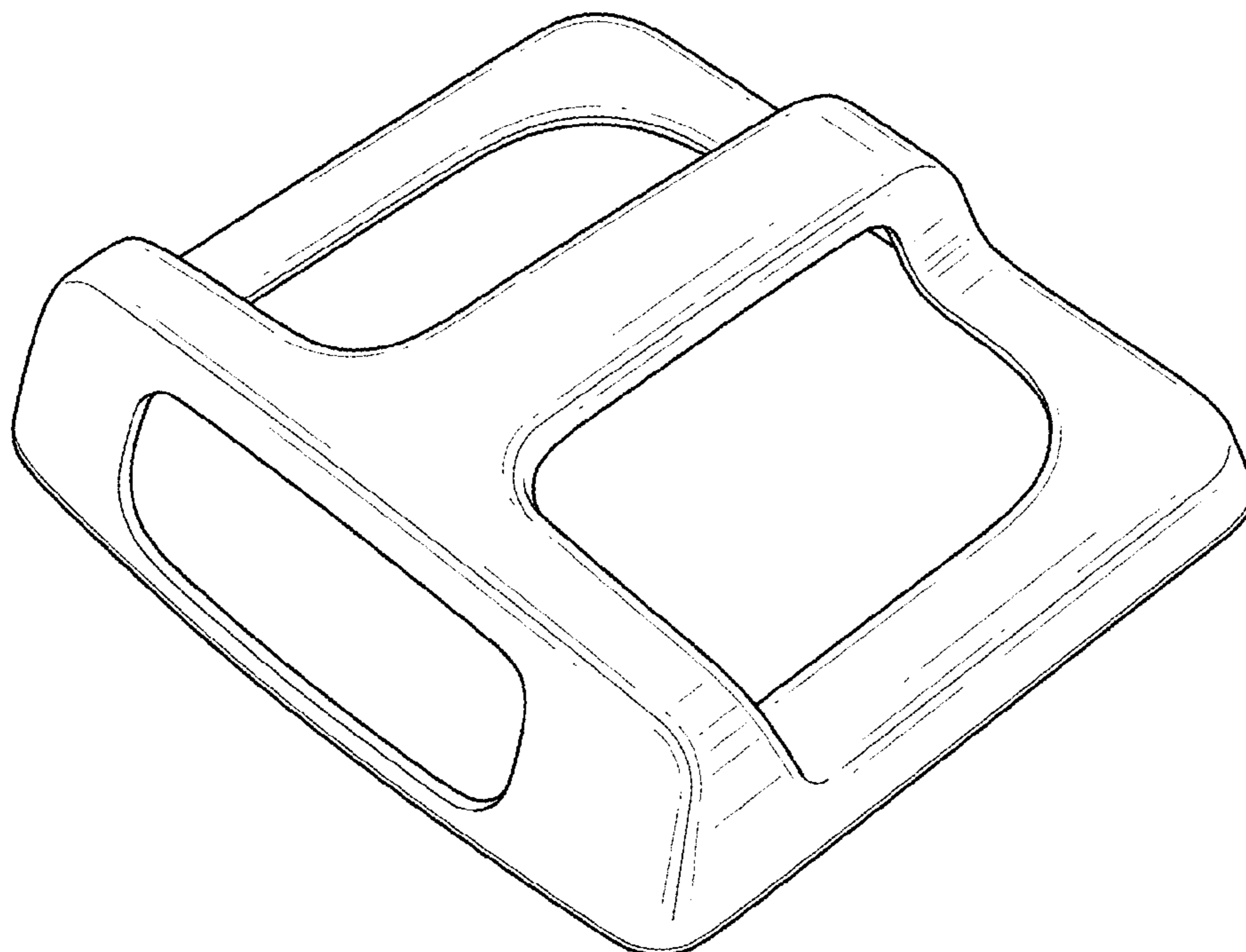


FIG. 1

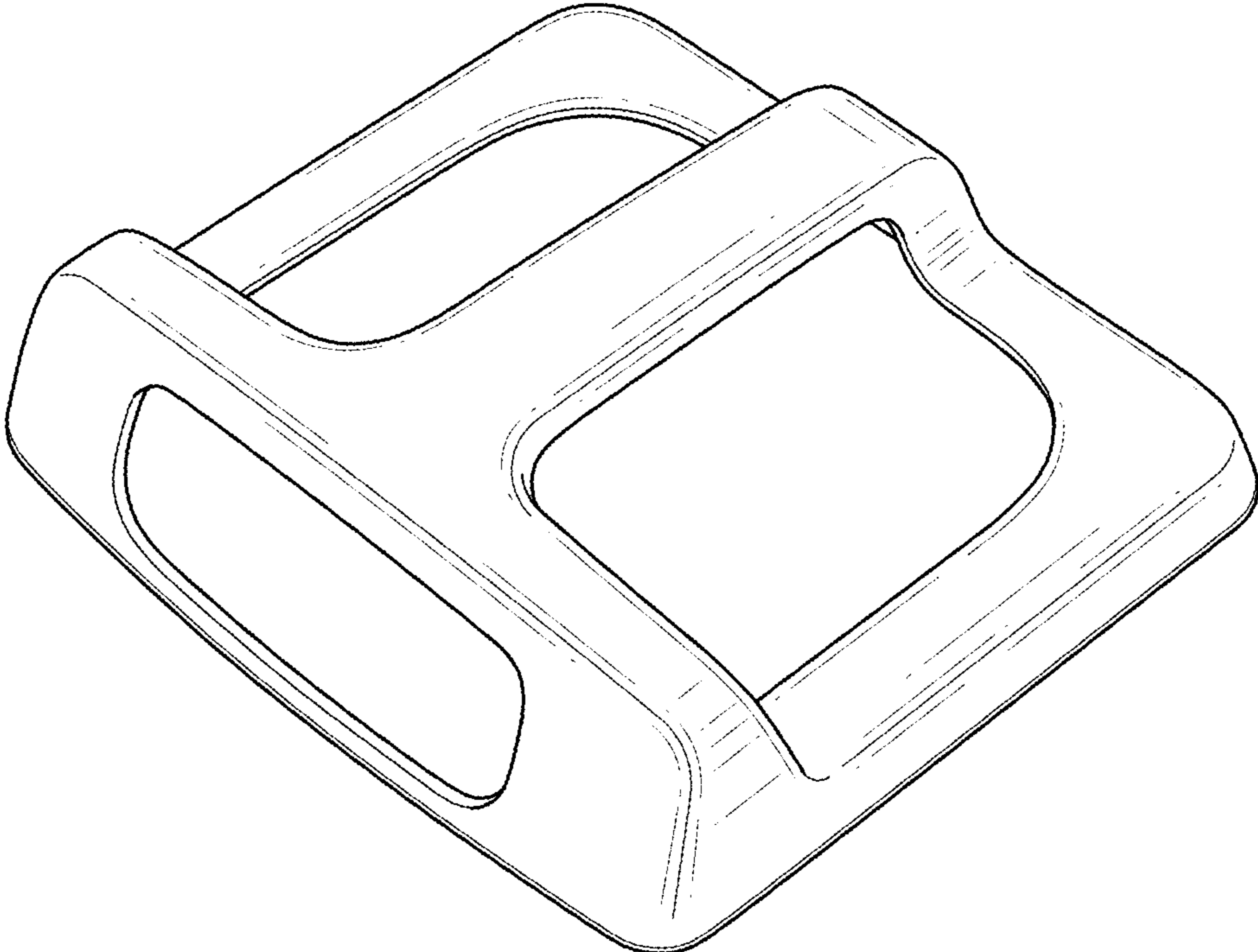


FIG. 2

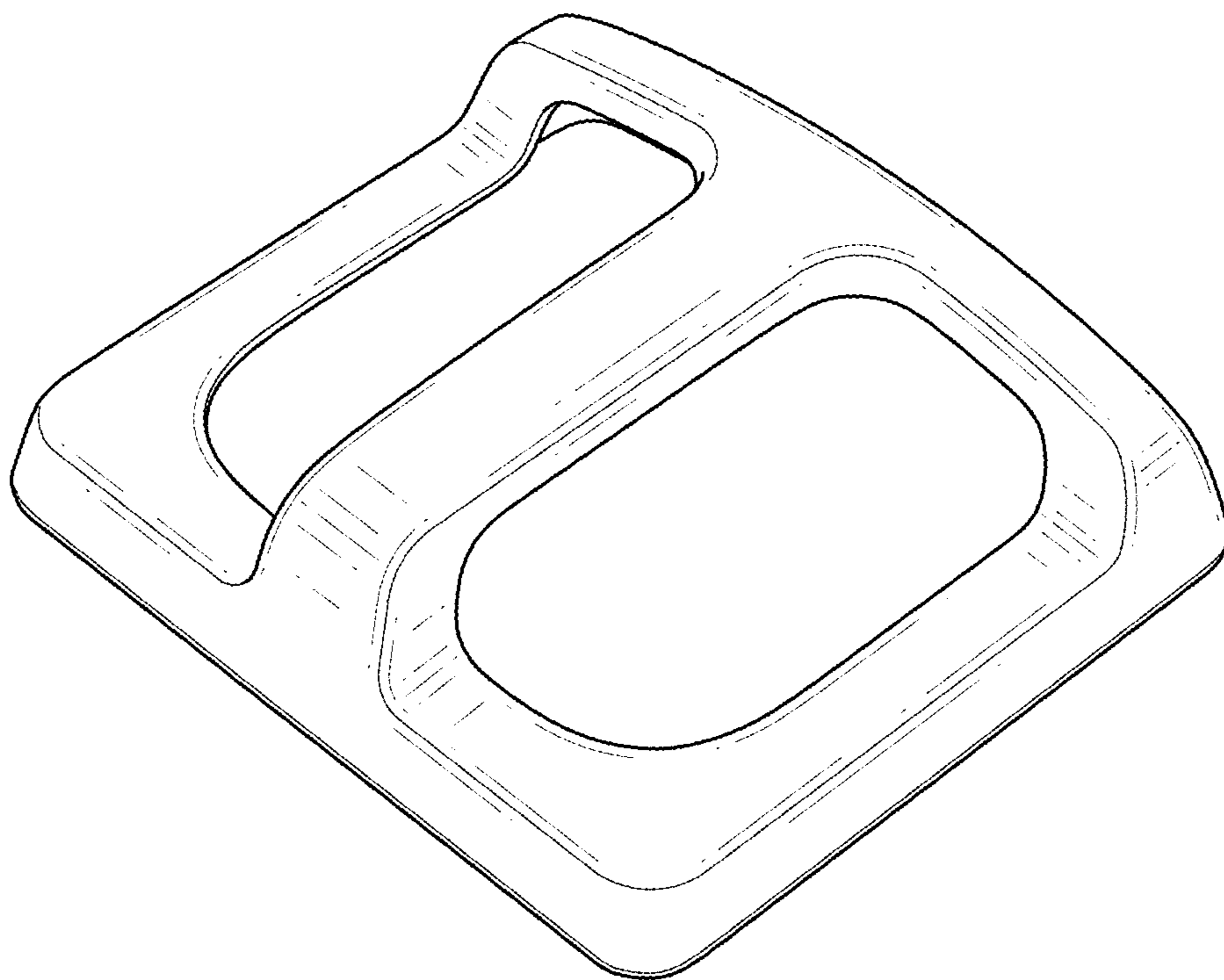


FIG. 3

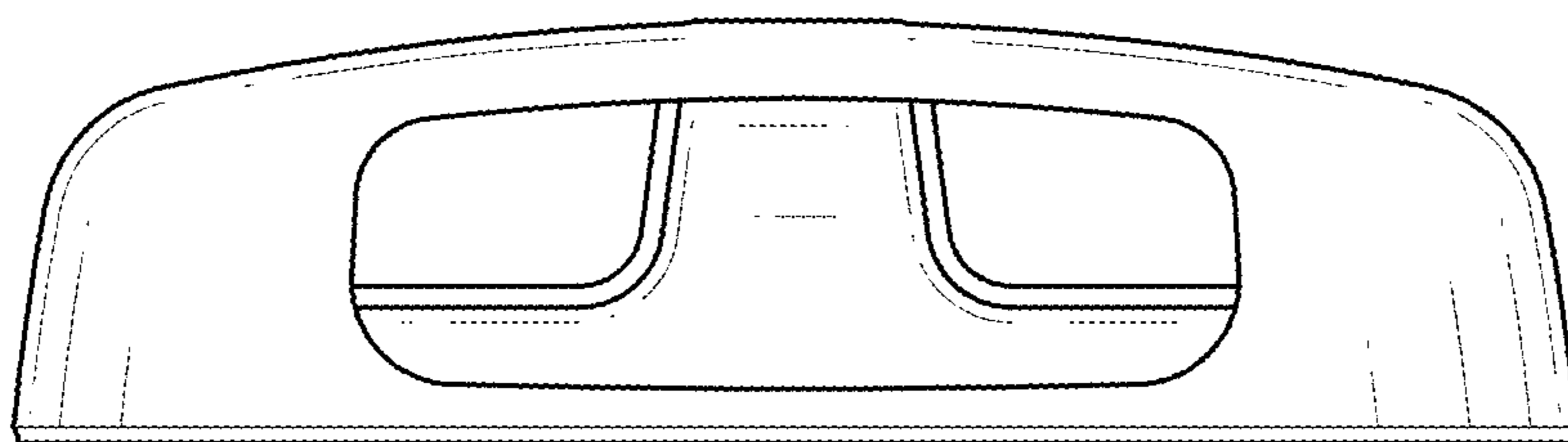


FIG. 4

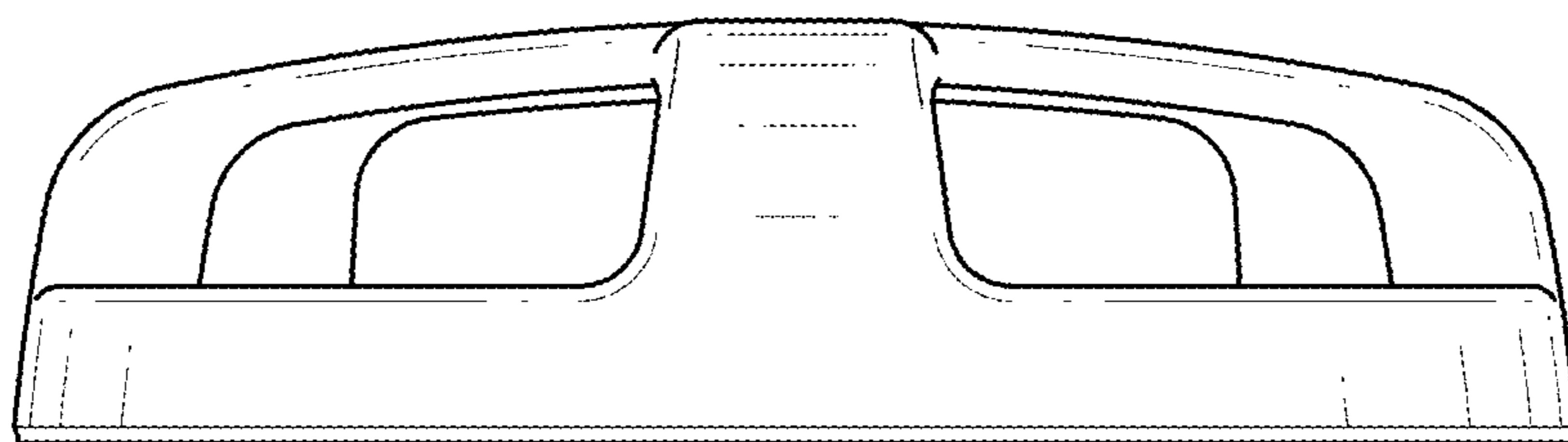


FIG. 5

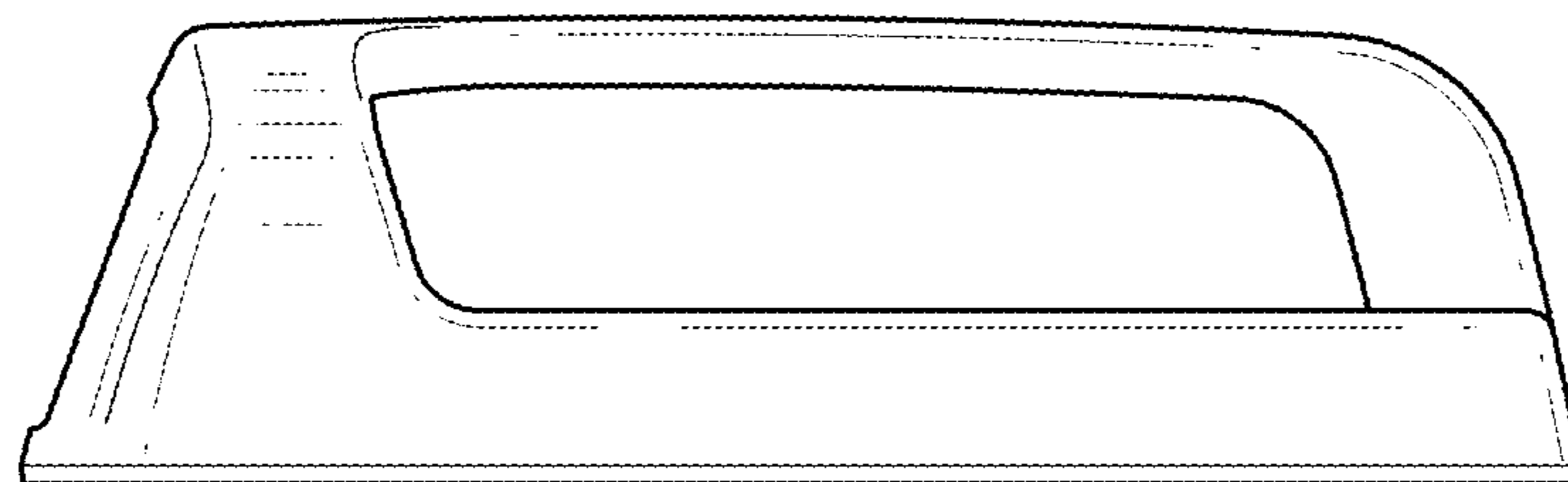


FIG. 6

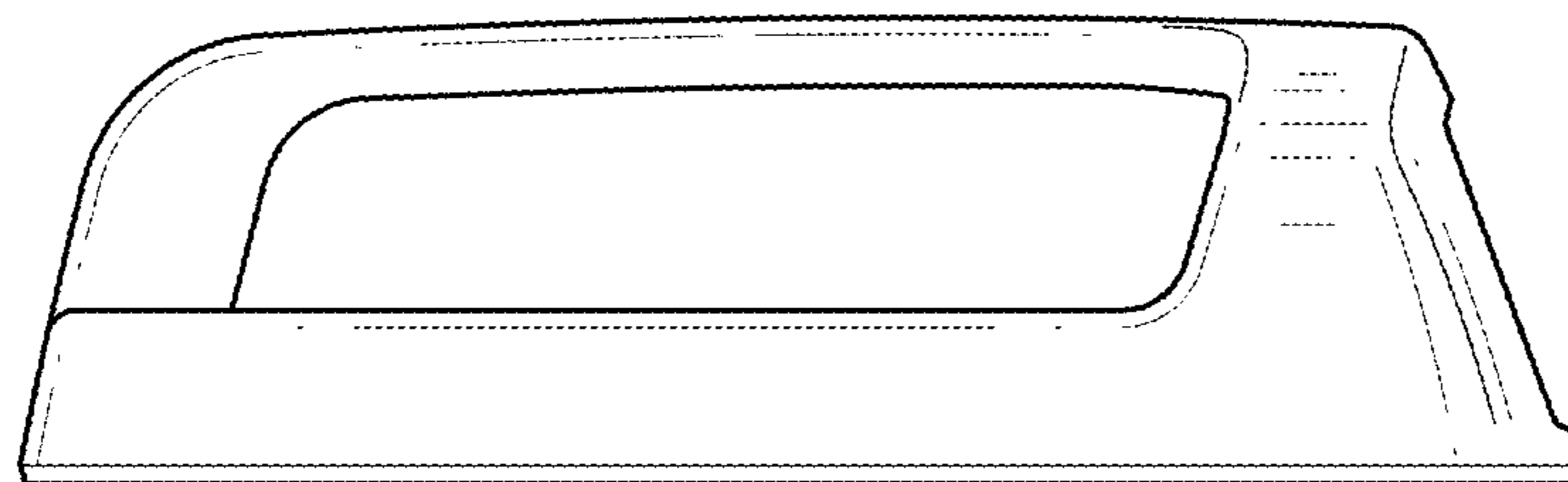


FIG. 7

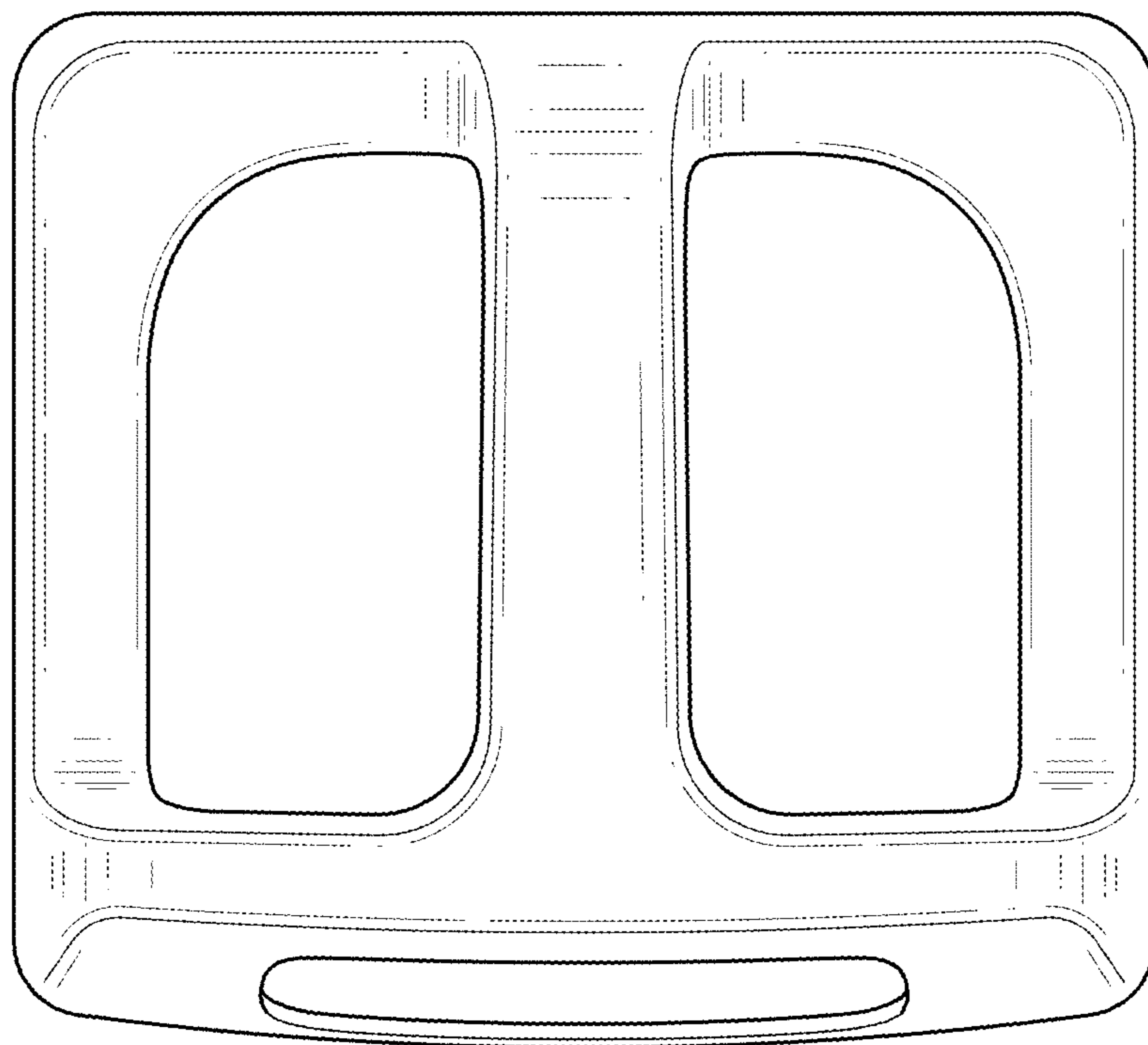




FIG. 8

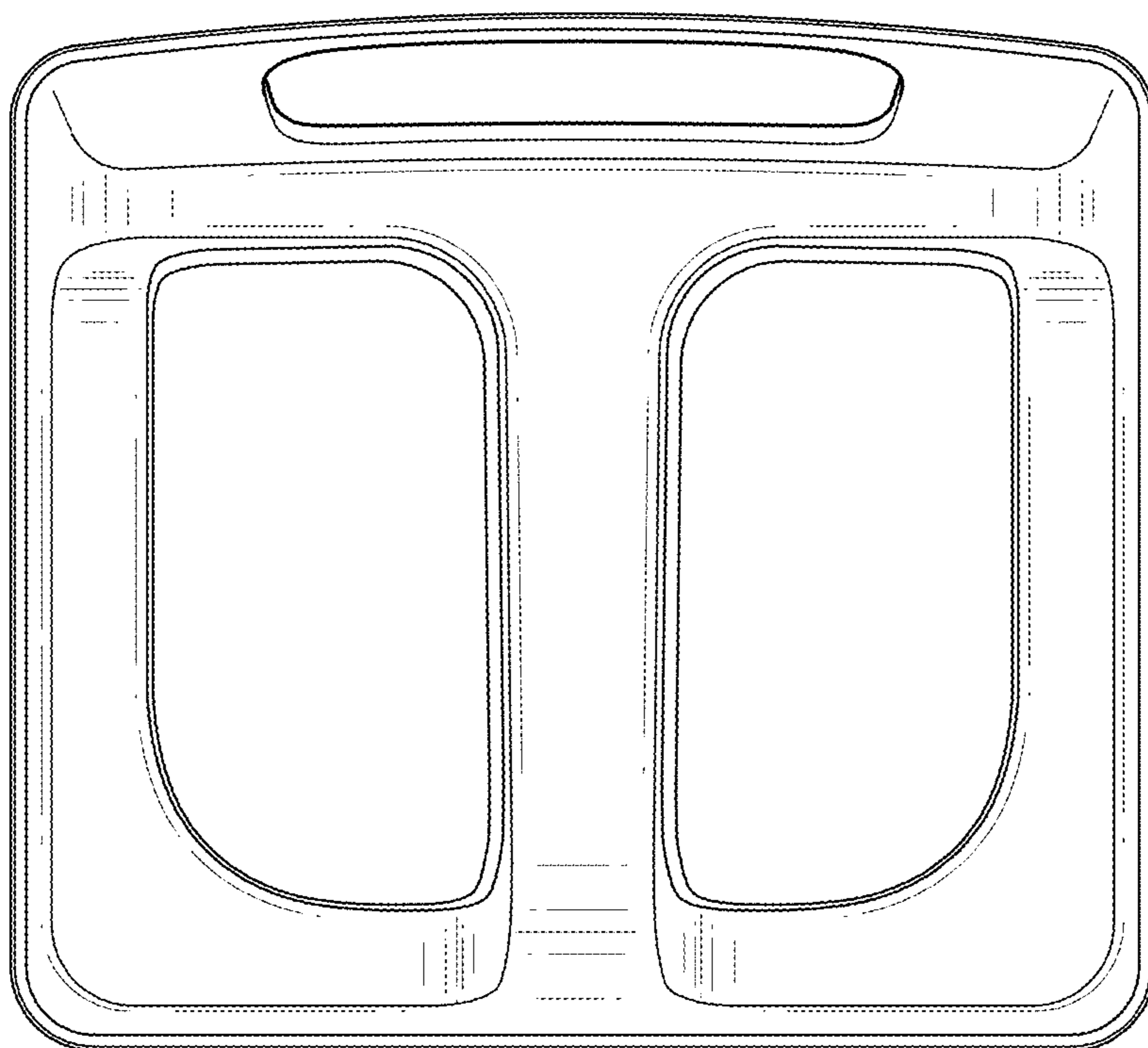


FIG. 9

