



US00D966191S

(12) **United States Design Patent** (10) **Patent No.:** **US D966,191 S**
Goos et al. (45) **Date of Patent:** **** Oct. 11, 2022**

(54) **ELECTRIC MOTOR ADAPTER**
(71) Applicant: **SEW-EURODRIVE GmbH & Co KG**, Bruchsal (DE)
(72) Inventors: **Jürgen Goos**, Speyer (DE); **Julian Kratz**, Kraichtal (DE); **Philipp Merkel**, Karlsbad (DE); **Bettina Baacke**, Karlsruhe (DE)

D914,602 S * 3/2021 Van Steenburg D13/112
D915,279 S * 4/2021 Nanbu D13/112
D916,019 S * 4/2021 Harris D13/112
D920,910 S * 6/2021 Wersland D13/112
D921,585 S * 6/2021 Pope D13/112
D924,799 S * 7/2021 Simon D13/112
D924,934 S * 7/2021 Zhao D15/5
D926,132 S * 7/2021 Kitazawa D13/112
D936,008 S * 11/2021 Kisch D13/112
D938,356 S * 12/2021 Yang D13/112

(73) Assignee: **SEW-EURODRIVE GmbH & Co KG**, Bruchsal (DE)

OTHER PUBLICATIONS

Electric Motors. (Design—© Questel) orbit.com. [Online PDF compilation of references] 48 pgs. Print Dates Range Nov. 29, 2021-Sep. 9, 2021 [Retrieved Jan. 7, 2022].*

(**) Term: **15 Years**

(Continued)

(21) Appl. No.: **29/761,518**

Primary Examiner — Manpreet S Matharu

(22) Filed: **Dec. 9, 2020**

Assistant Examiner — Suzanne E Tisdell

(30) **Foreign Application Priority Data**

(74) *Attorney, Agent, or Firm* — Finnegan, Henderson, Farabow, Garrett & Dunner, LLP

Jun. 10, 2020 (EP) 007993738

(51) **LOC (13) Cl.** **13-01**

(57) **CLAIM**

(52) **U.S. Cl.**
USPC **D13/112**

The ornamental design for an electric motor adapter, as shown and described.

(58) **Field of Classification Search**
USPC D13/101, 102, 103, 107, 108, 110, 112, D13/118, 119, 123, 184, 199
CPC Y02T 10/7005; Y02T 10/705; Y02T 10/7088; H01M 2/1022; H01M 2/342; H02J 7/00; H02J 7/027; H02J 7/0042; H02J 7/0045; H02J 7/0047; H02J 7/0063; H02J 7/32; H02J 7/1423; H02J 7/003
See application file for complete search history.

DESCRIPTION

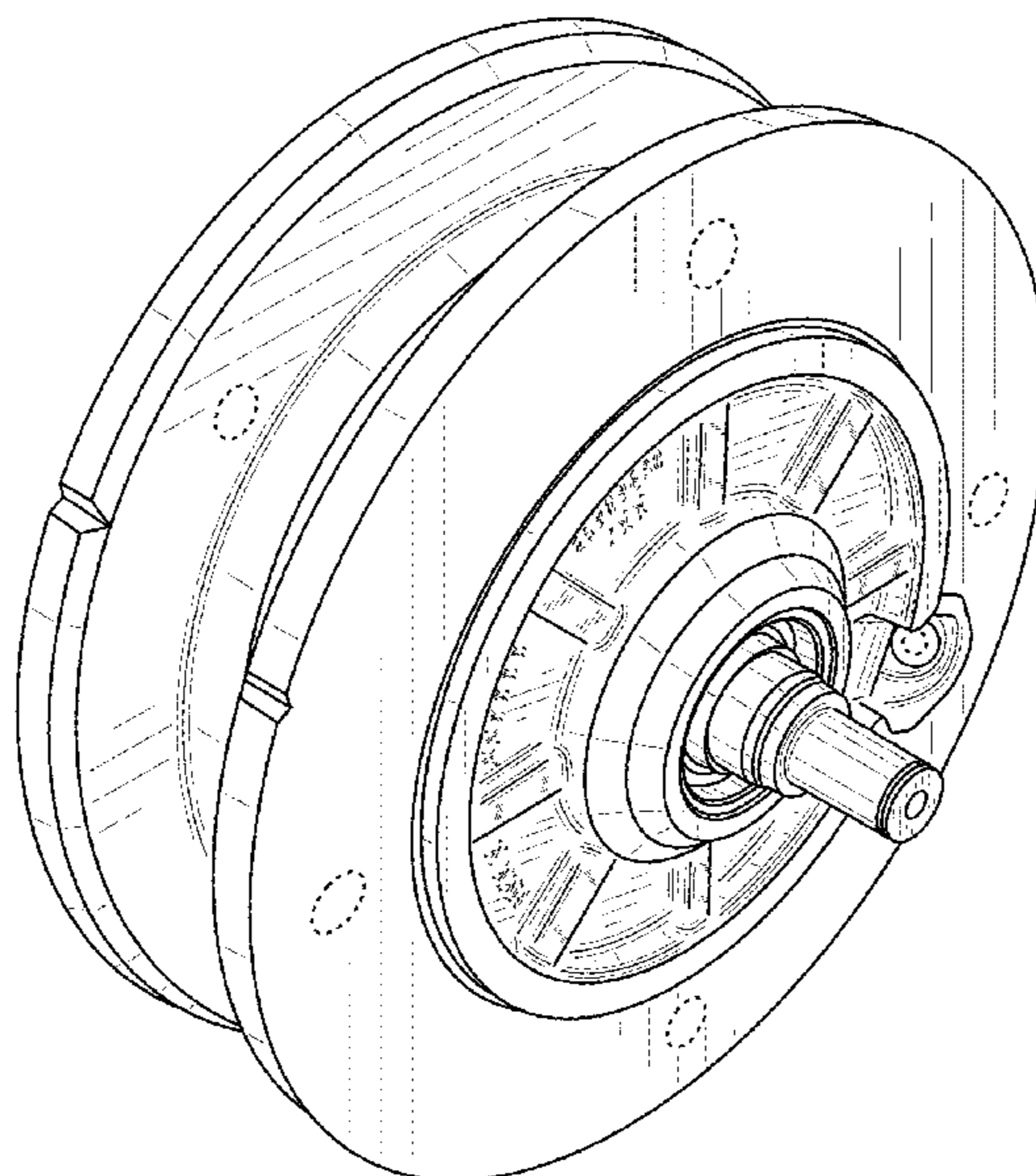
FIG. 1 is a front, top, left perspective view of an electric motor adapter, showing the new design; FIG. 2 is a front elevation view thereof; FIG. 3 is a rear elevation view thereof; FIG. 4 is a right side view thereof; FIG. 5 is a left side view thereof; FIG. 6 is a top plan view thereof; and, FIG. 7 is a bottom plan view thereof. The broken lines of even length shown in the drawings illustrate portions of the electric motor adapter that form no part of the claimed design.

(56) **References Cited**

U.S. PATENT DOCUMENTS

D908,624 S * 1/2021 Pope D13/112
D909,301 S * 2/2021 Povol D13/112
D913,925 S * 3/2021 Nanbu D13/112

1 Claim, 7 Drawing Sheets



(56)

References Cited

OTHER PUBLICATIONS

Nord Drivesystems IEC adapter. 2020. Nord Drivesystems. https://www.nord.com/en/nord-group/nord-drivesystems-au/cp_iec_adapter_au.jsp.*

WEG drive systems geared motors and electronic drives european market. Sep. 14, 2020. WEG. <https://static.weg.net/medias/downloadcenter/h1e/h30/WEG-drive-systems-geared-motors-motors-and-electronic-drives-european-market-50039903-brochure-english-web.pdf>.*

Electric Motor Bushing Maintenance NINJA Trick. Aug. 29, 2019. Youtube. <https://www.youtube.com/watch?v=tvSFh5xhE98>.*

* cited by examiner

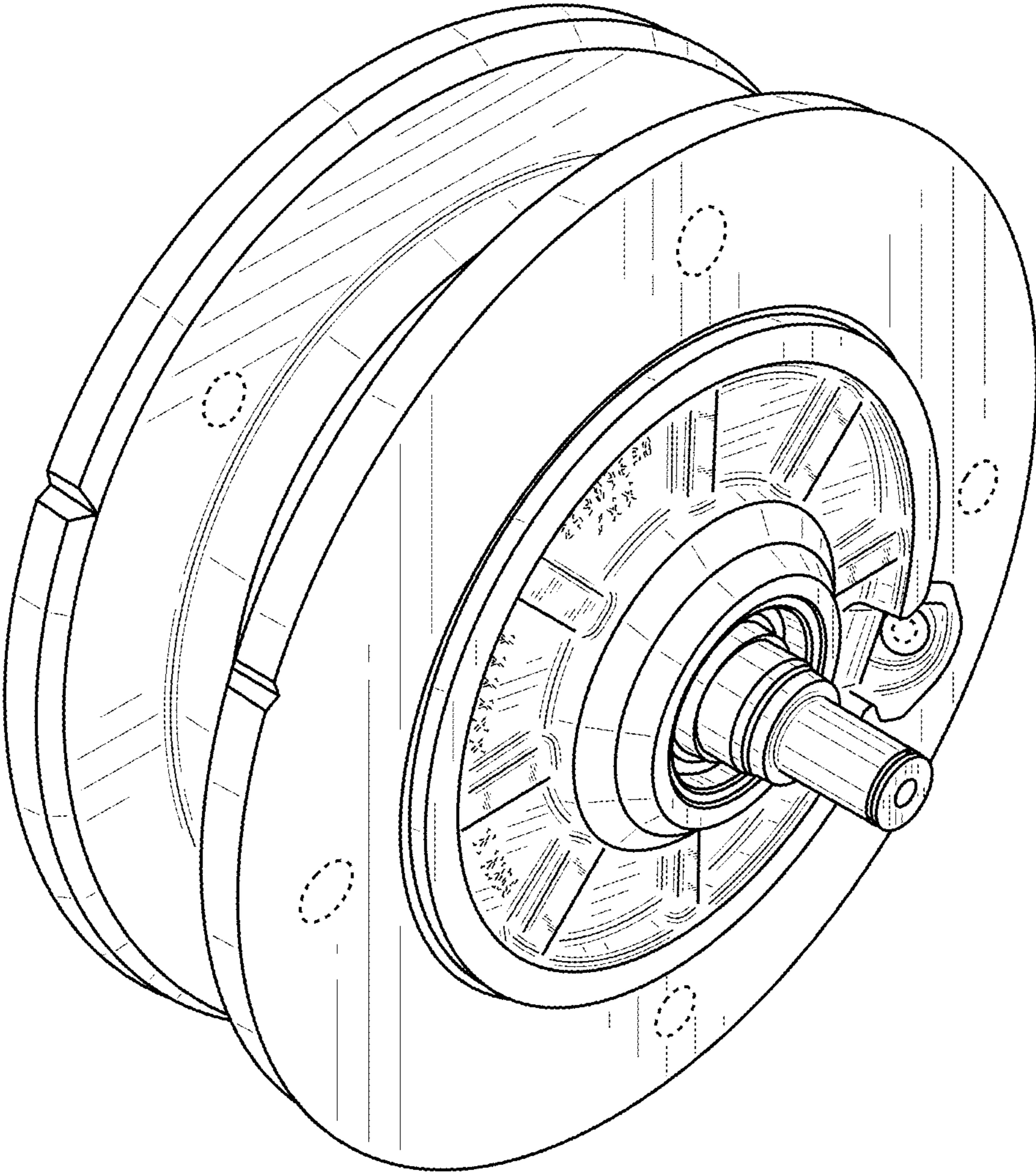


FIG. 1

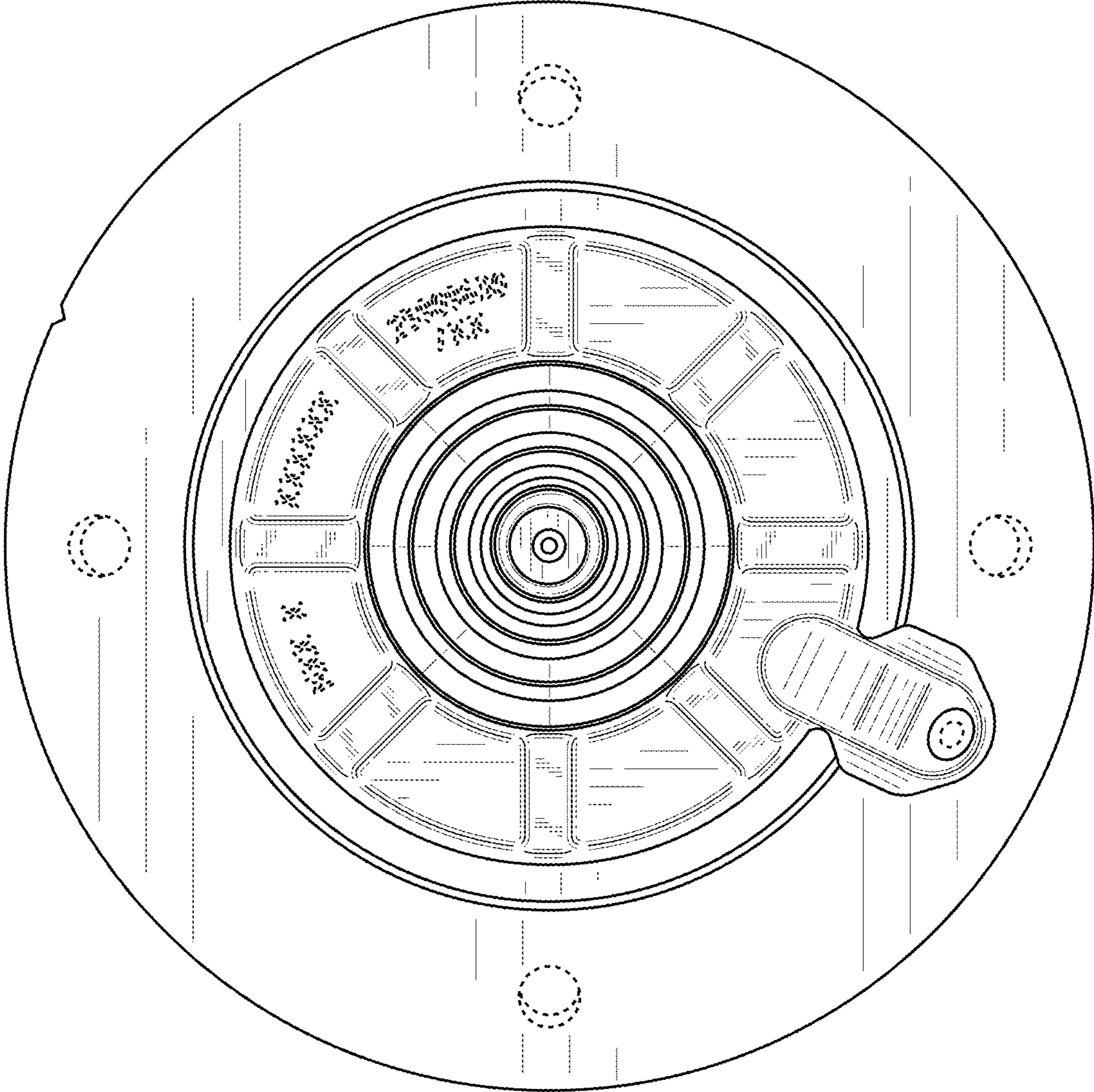


FIG. 2

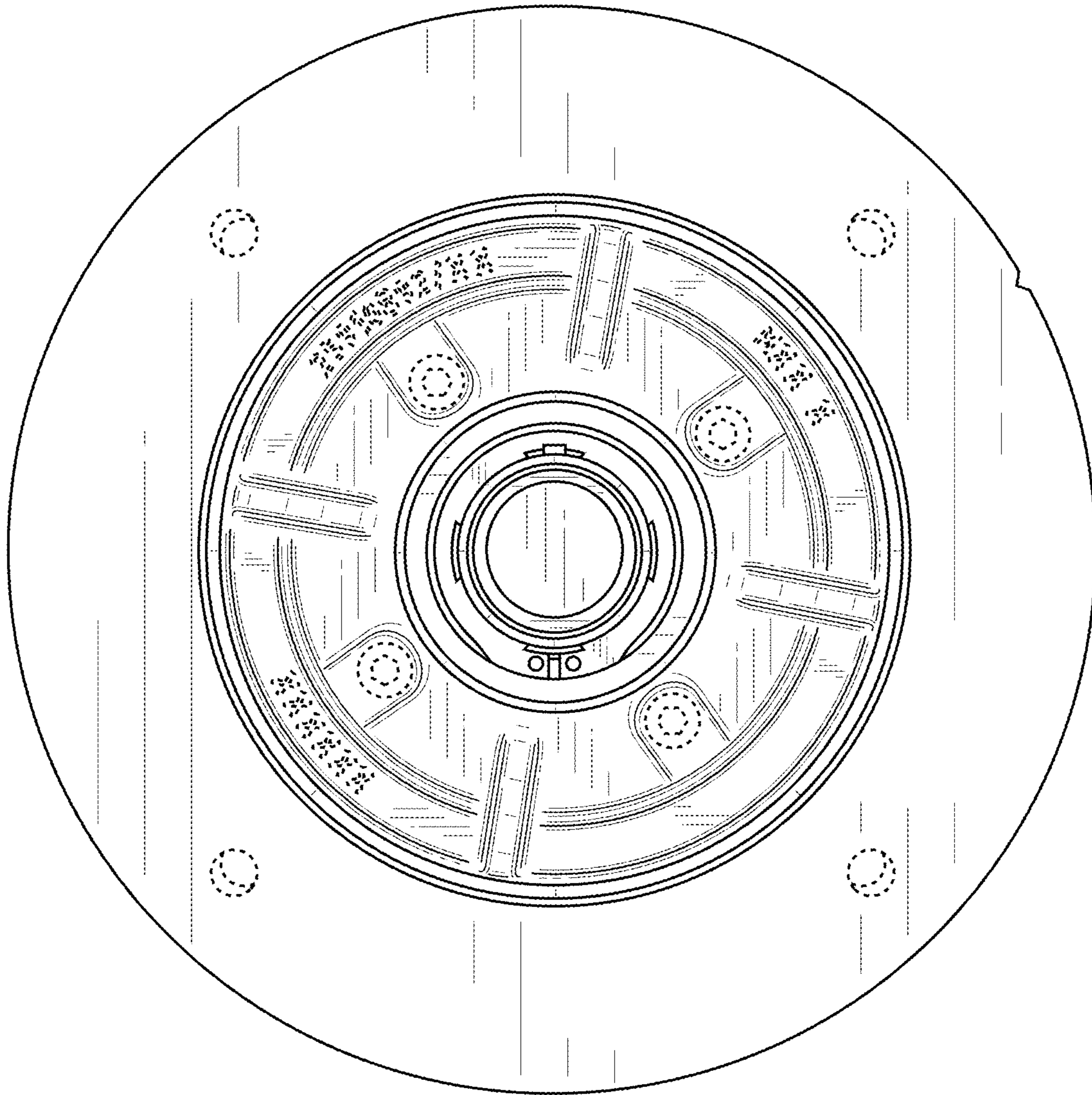


FIG. 3

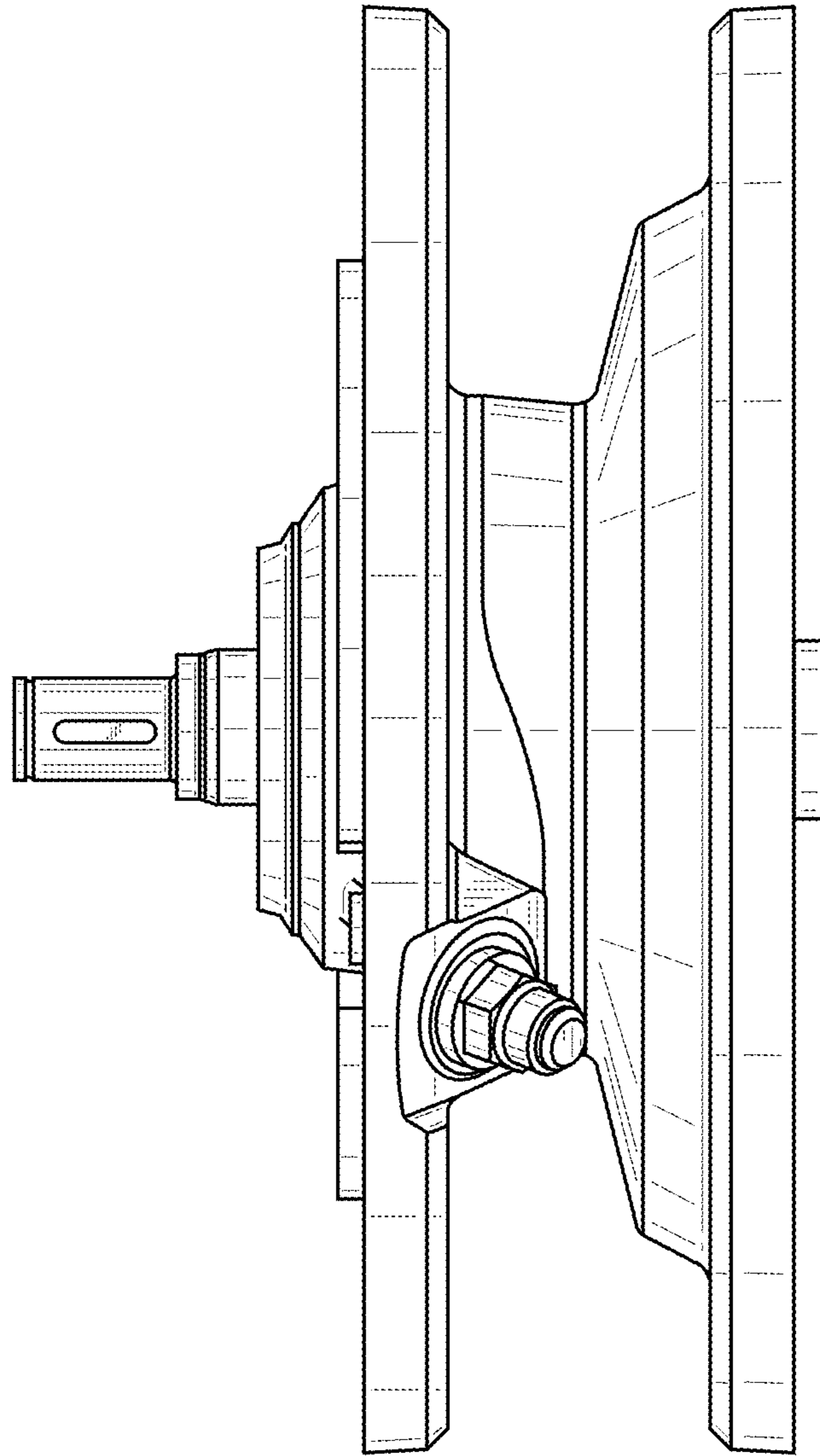


FIG. 4

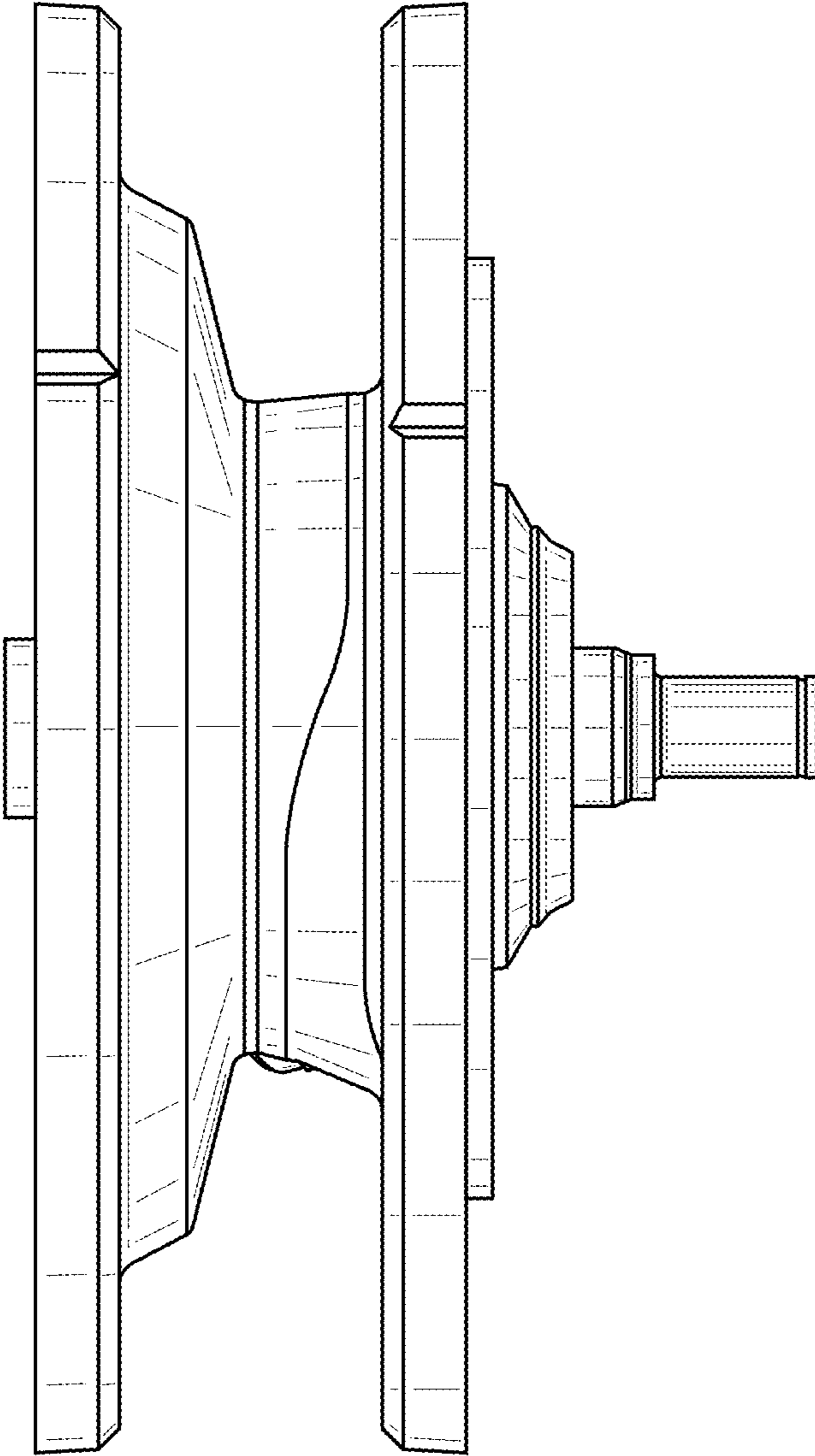


FIG. 5

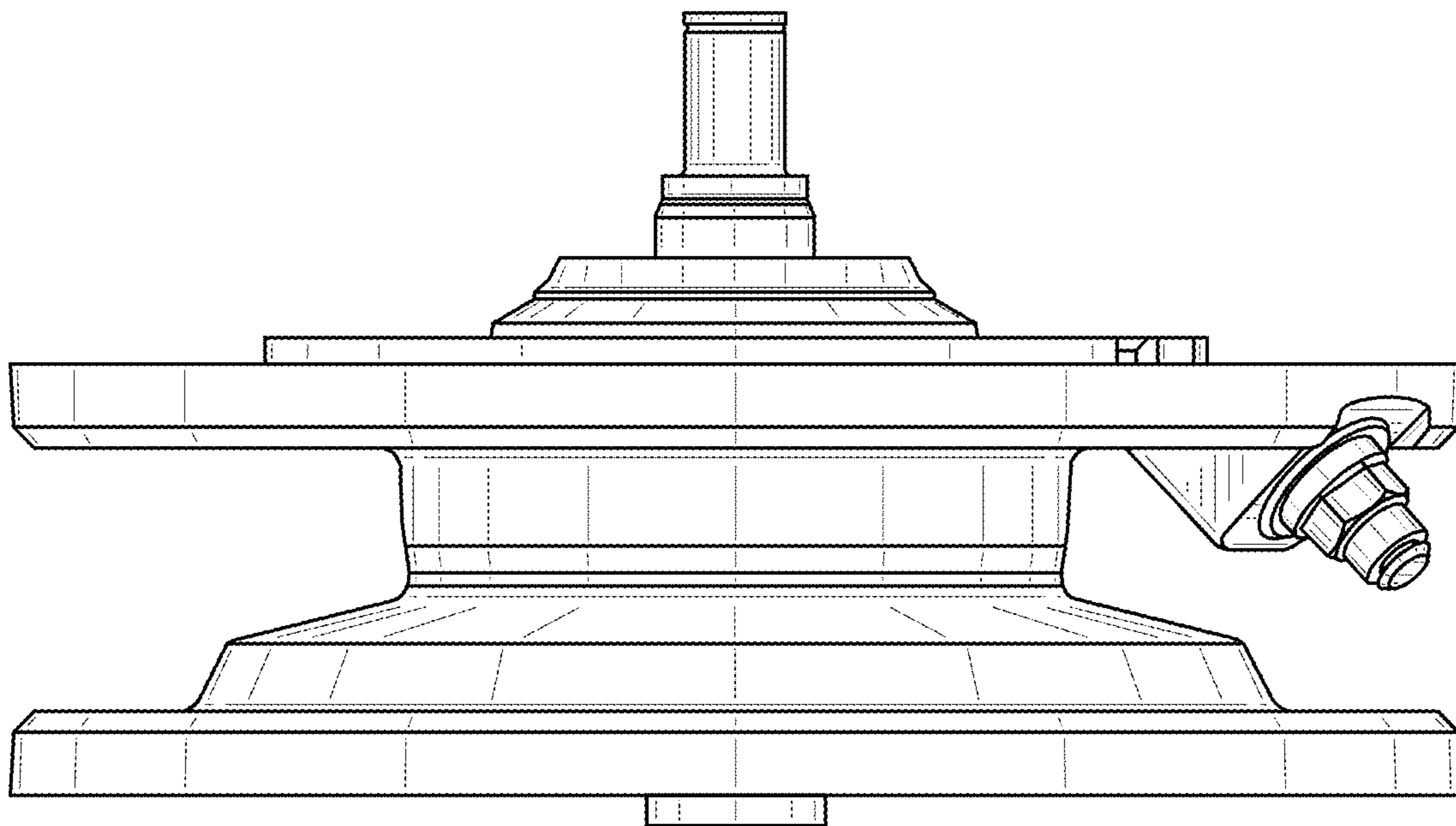


FIG. 6

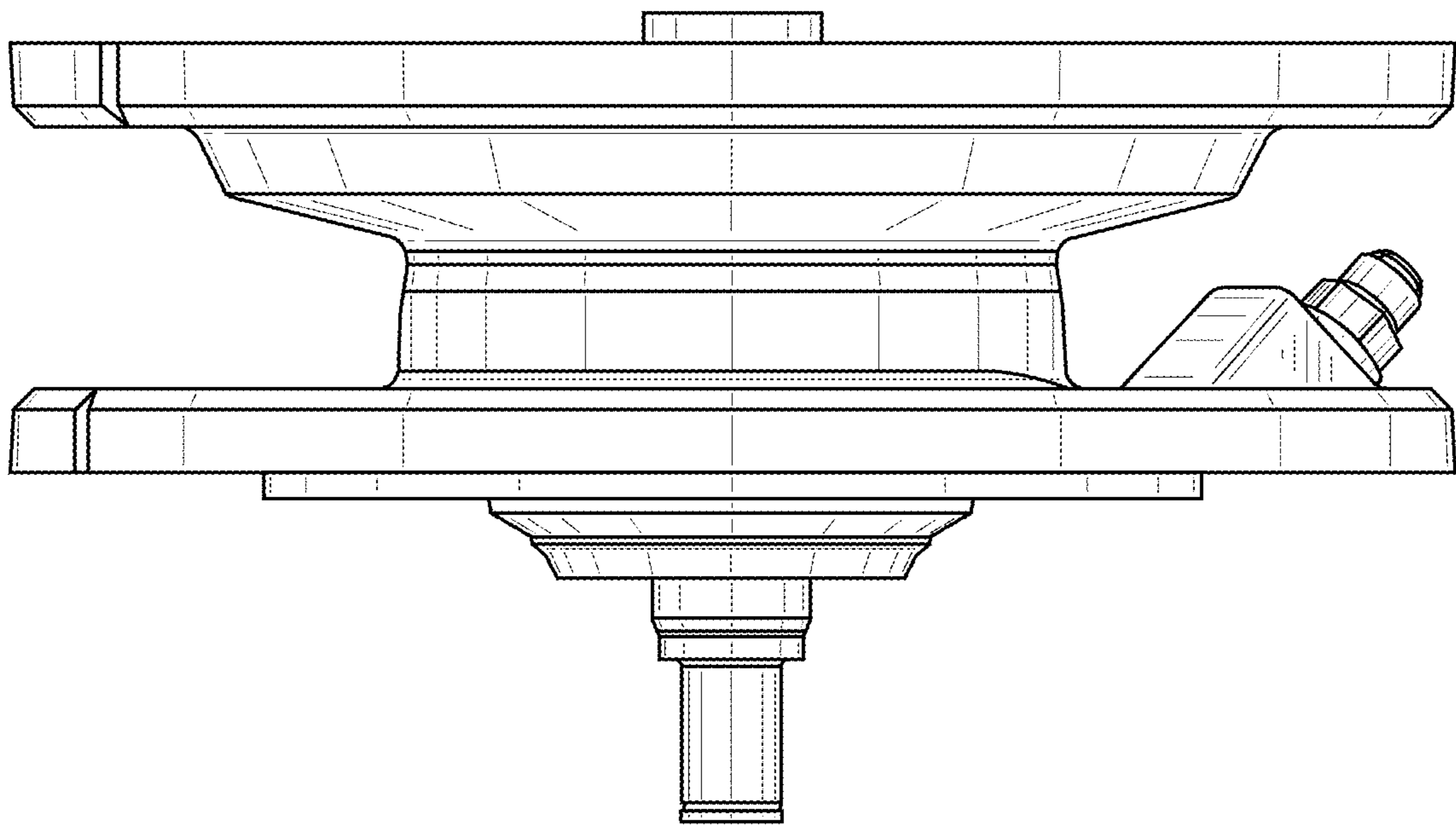


FIG. 7