

US00D966190S

(12) **United States Design Patent** (10) **Patent No.:** **US D966,190 S**
Goos et al. (45) **Date of Patent:** **** Oct. 11, 2022**

(54) **ELECTRIC MOTOR ADAPTER**

(71) Applicant: **SEW-EURODRIVE GmbH & Co KG**, Bruchsal (DE)
(72) Inventors: **Jürgen Goos**, Speyer (DE); **Julian Kratz**, Kraichtal (DE); **Philipp Merkel**, Karlsbad (DE); **Bettina Baacke**, Karlsruhe (DE)
(73) Assignee: **SEW-EURODRIVE GmbH & Co KG**, Bruchsal (DE)

(**) Term: **15 Years**
(21) Appl. No.: **29/761,513**
(22) Filed: **Dec. 9, 2020**

(51) **LOC (13) Cl.** **13-01**
(52) **U.S. Cl.**
USPC **D13/112**

(58) **Field of Classification Search**
USPC D13/101, 102, 103, 107, 108, 110, 112, D13/118, 119, 123, 184, 199
CPC Y02T 10/7005; Y02T 10/705; Y02T 10/7088; H01M 2/1022; H01M 2/342; H02J 7/00; H02J 7/027; H02J 7/0042; H02J 7/0045; H02J 7/0047; H02J 7/0063; H02J 7/32; H02J 7/1423; H02J 7/003
See application file for complete search history.

(56) **References Cited**

U.S. PATENT DOCUMENTS

D917,394 S *	4/2021	Wersland	D13/112
D918,141 S *	5/2021	Konig	D13/112
D919,573 S *	5/2021	Wersland	D13/112
D923,571 S *	6/2021	Del Aguila	D13/112
D924,800 S *	7/2021	Oishi	D13/112
D925,449 S *	7/2021	Oishi	D13/112
D925,450 S *	7/2021	Konig	D13/112
D926,132 S *	7/2021	Kitazawa	D13/112
D927,422 S *	8/2021	Hasegawa	D13/112
D927,423 S *	8/2021	Kobayashi	D13/112
D930,586 S *	9/2021	Chang	D13/112
D932,434 S *	10/2021	Rao	D13/112
D936,009 S *	11/2021	Konig	D13/112

OTHER PUBLICATIONS

Electric Motors. (Design—© Questel) orbit.com. [Online PDF compilation of references] 48 pgs. Print Dates Range Nov. 29, 2021-Sep. 9, 2021 [Retrieved Jan. 7, 2022].*
Nord Drivesystems IEC adapter. 2020. Nord Drivesystems, https://www.nord.com/en/nord-group/nord-drivesystems-au/cp_iec_adapter_au.jsp.*
WEG drive systems geared motors and electronic drives european market. Sep. 14, 2020. WEG. <https://static.weg.net/medias/downloadcenter/h1e/h30/WEG-drive-systems-geared-motors-motors-and-electronic-drives-european-market-50039903-brochure-english-web.pdf>.*
Electric Motor Bushing Maintenance NINJA Trick. Aug. 29, 2019. Youtube. <https://www.youtube.com/watch?v=tvSFh5xhE98>.*

* cited by examiner

Primary Examiner — Manpreet S Matharu
Assistant Examiner — Suzanne E Tisdell
(74) *Attorney, Agent, or Firm* — Finnegan, Henderson, Farabow, Garrett & Dunner, LLP

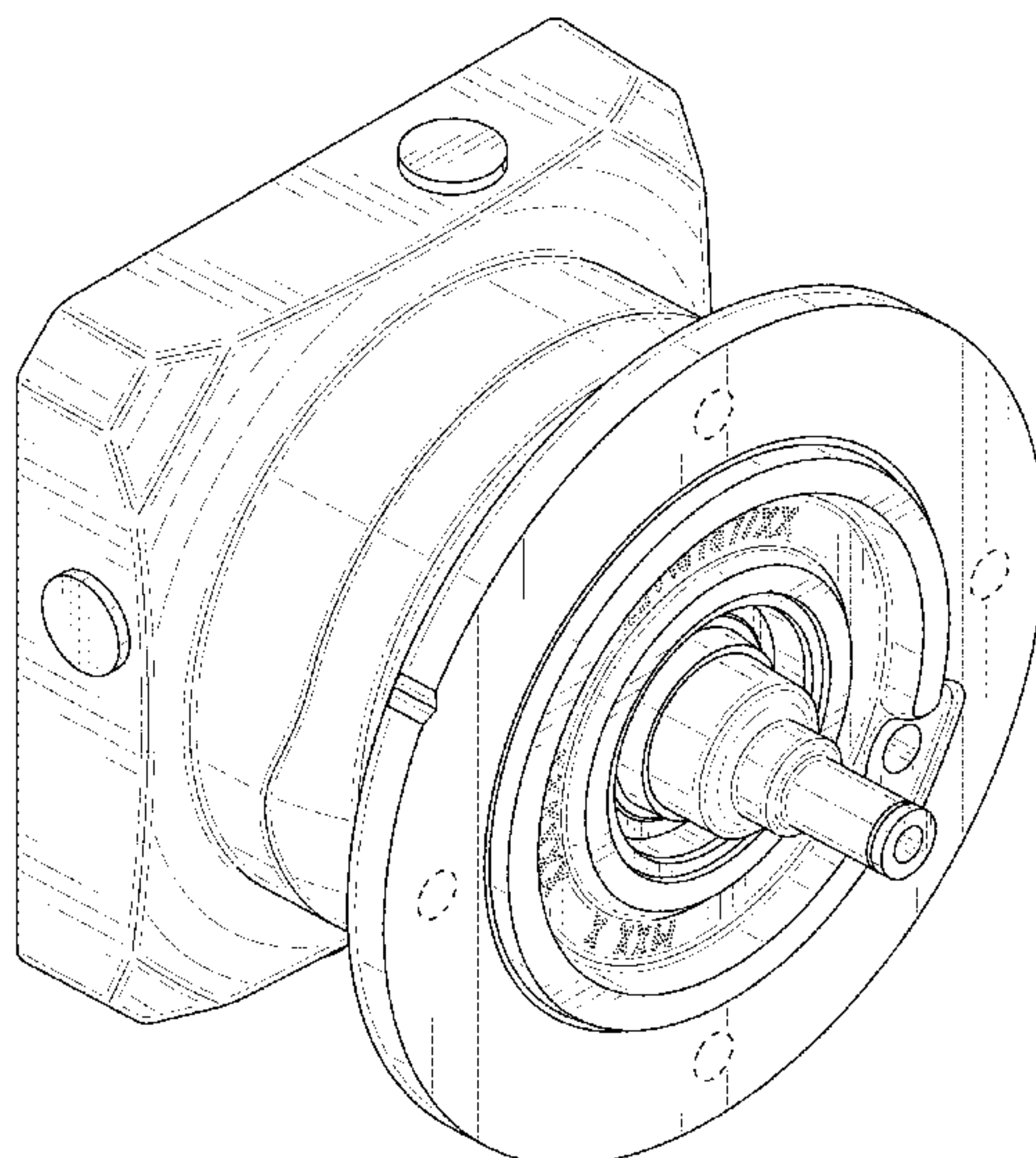
(57) **CLAIM**

The ornamental design for an electric motor adapter, as shown and described.

DESCRIPTION

FIG. 1 is a front, top, left perspective view of an electric motor adapter, showing the new design; FIG. 2 is a front elevation view thereof; FIG. 3 is a rear elevation view thereof; FIG. 4 is a right side view thereof; FIG. 5 is a left side view thereof; FIG. 6 is a top plan view thereof; and, FIG. 7 is a bottom plan view thereof. The broken lines of even length shown in the drawings illustrate portions of the electric motor adapter that form no part of the claimed design.

1 Claim, 7 Drawing Sheets



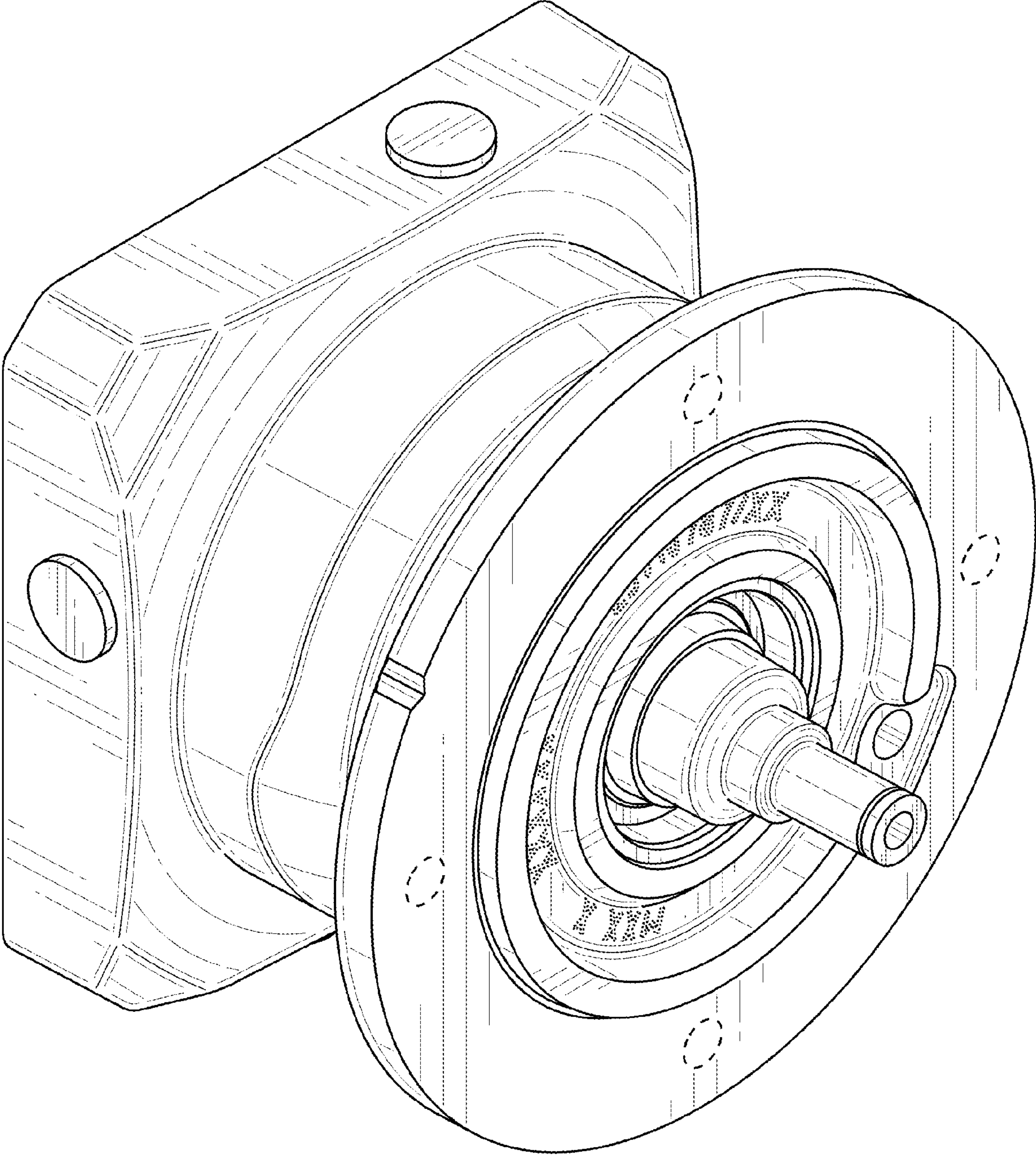


FIG. 1

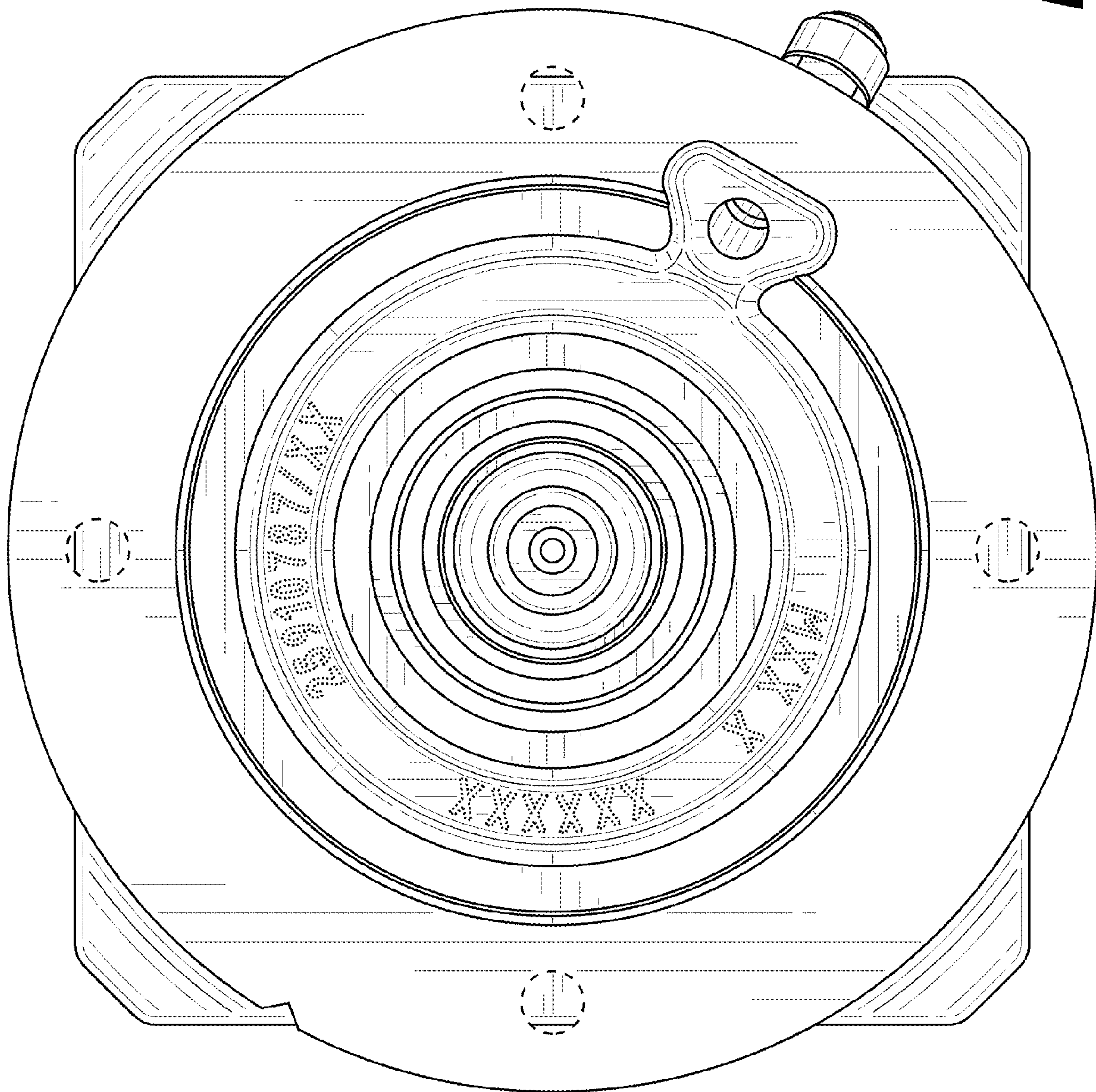


FIG. 2

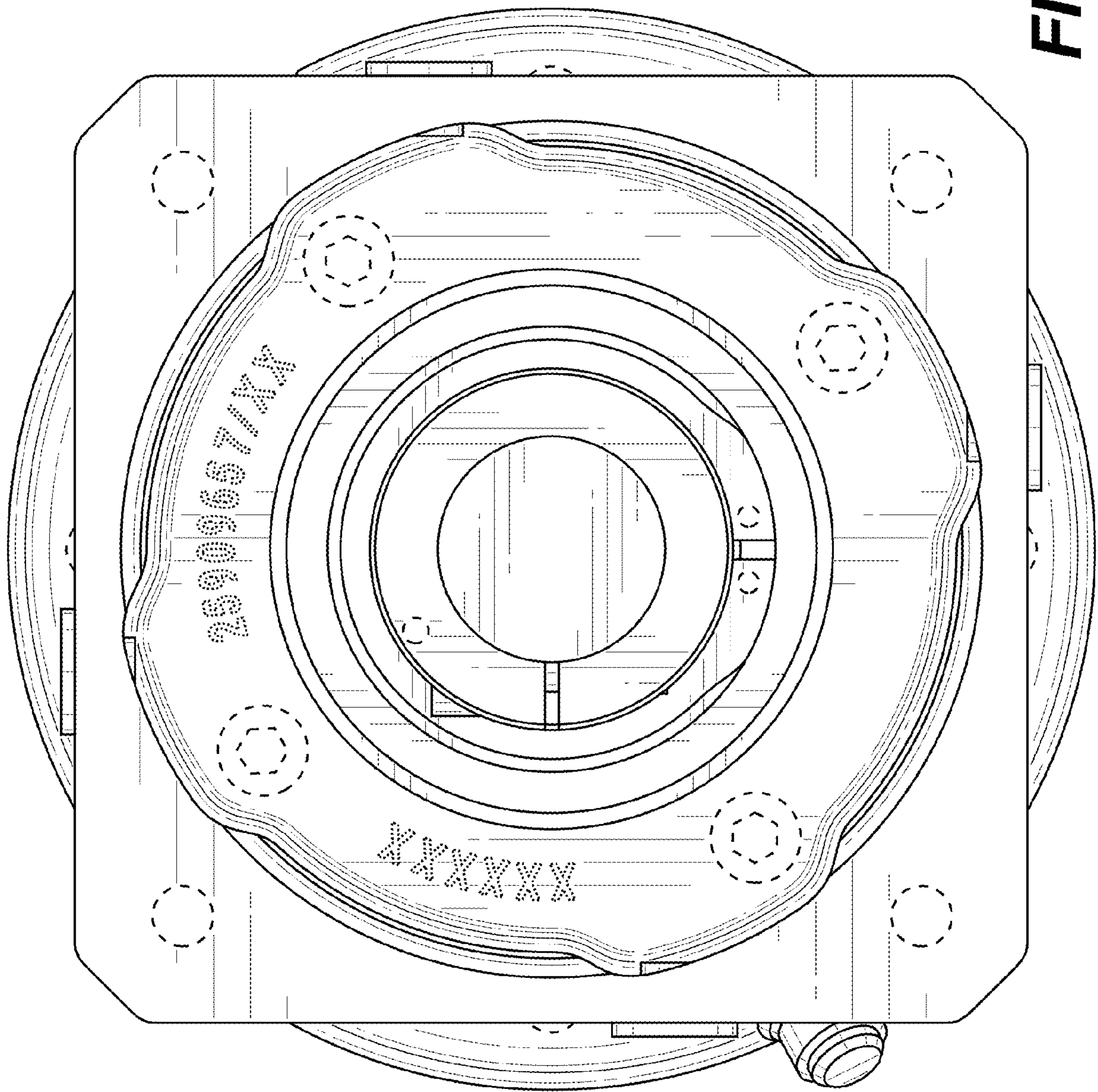


FIG. 3

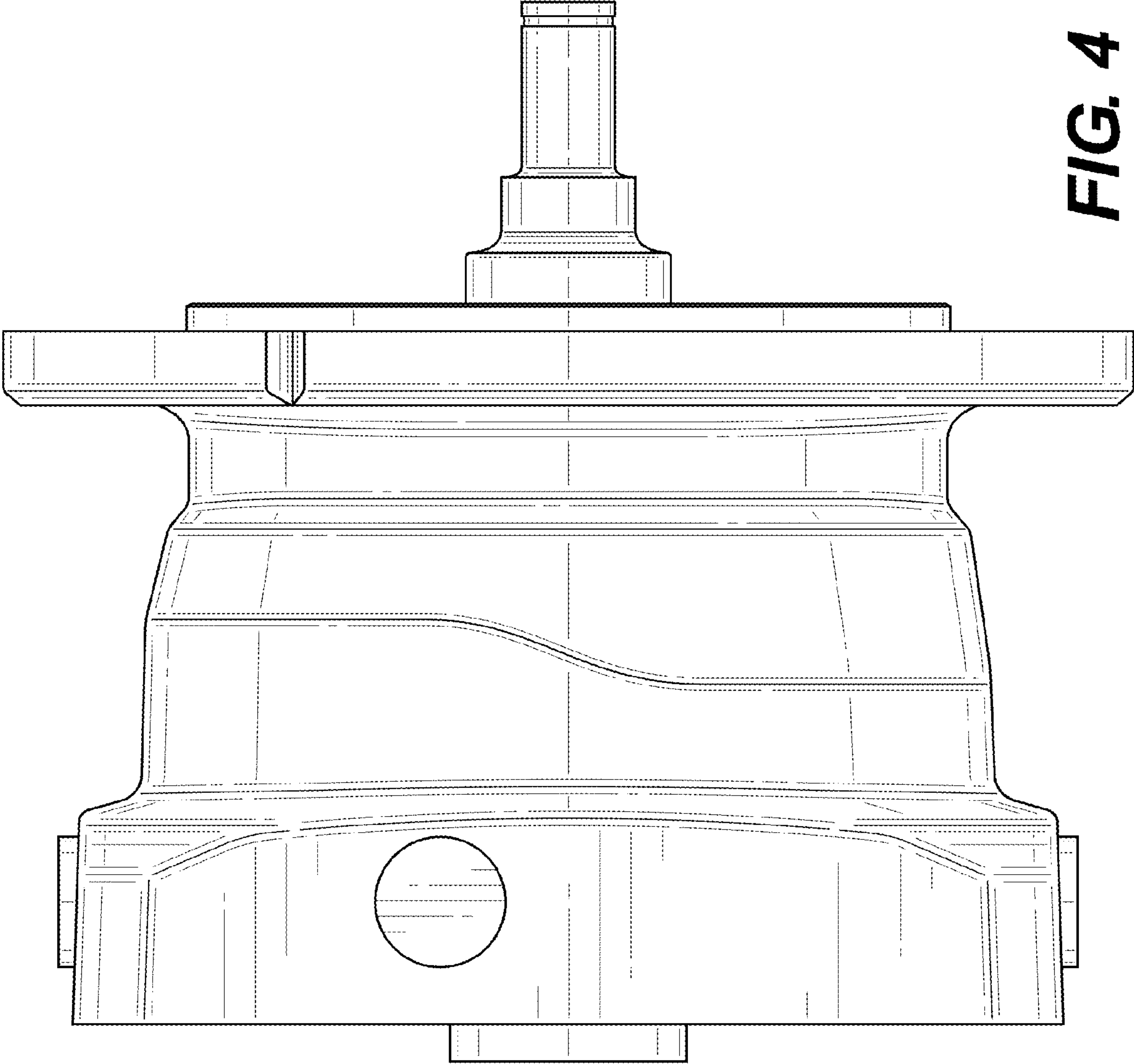
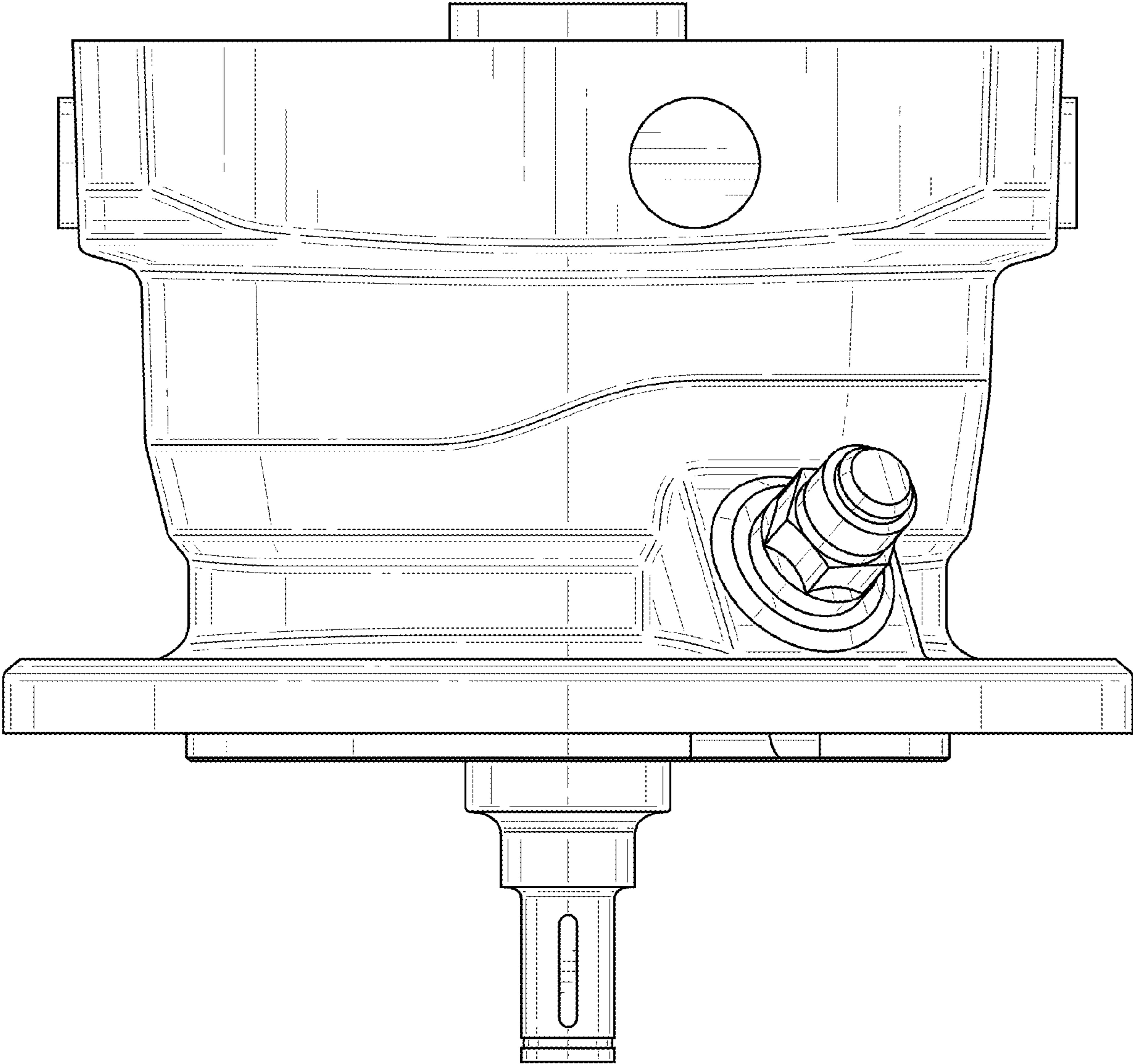


FIG. 4

FIG. 5



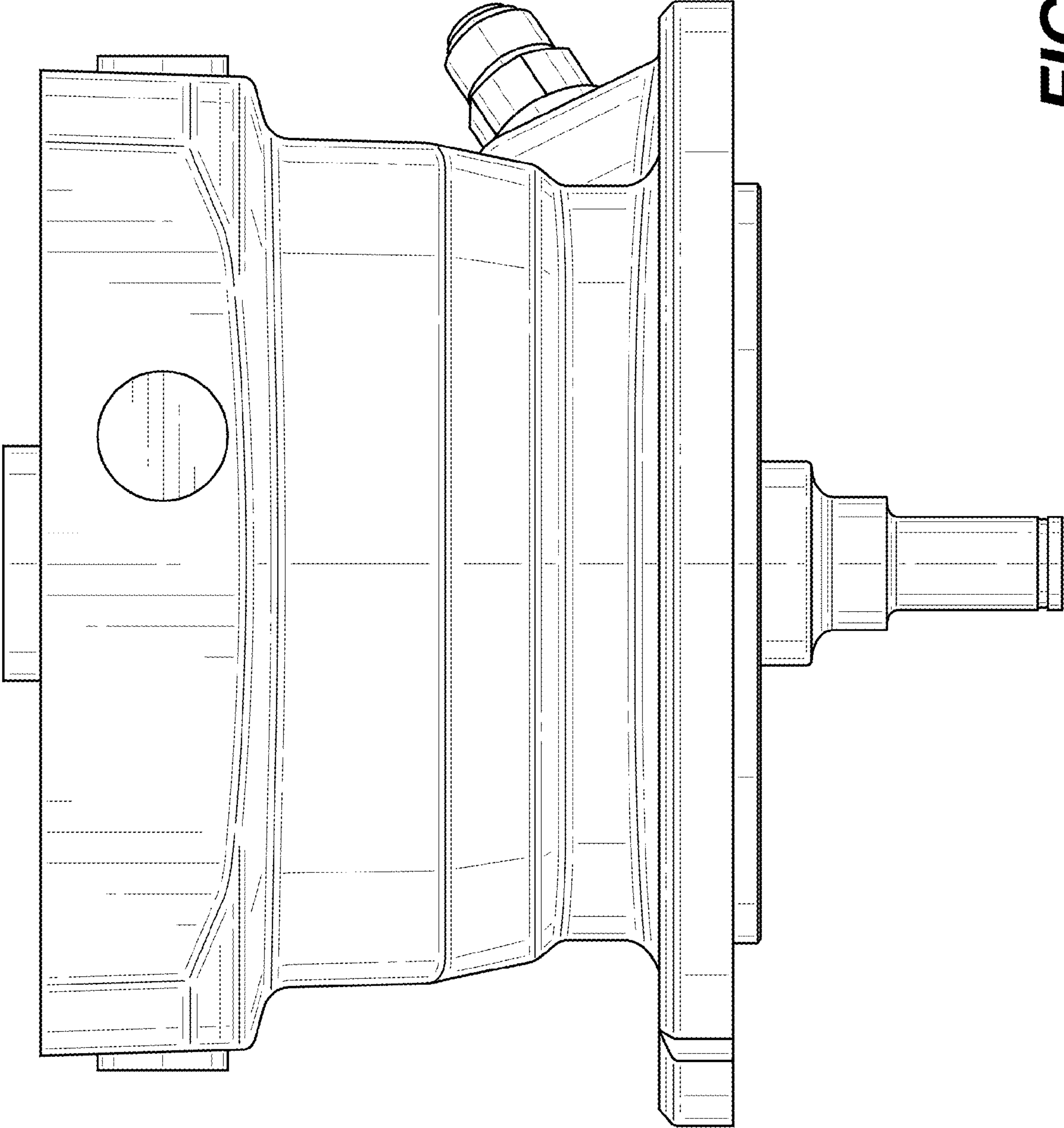


FIG. 6

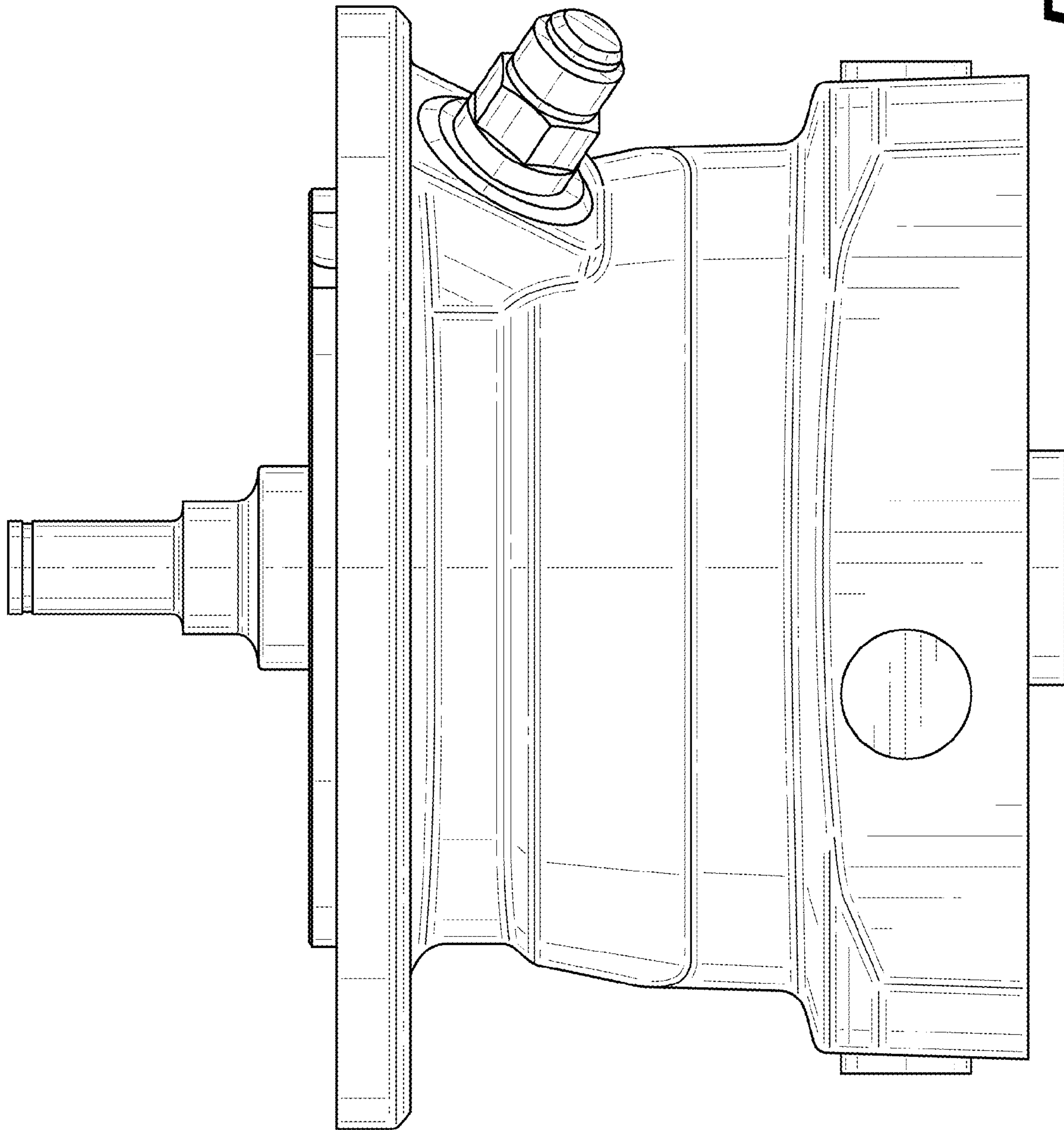


FIG. 7