



US00D966189S

(12) **United States Design Patent**
Lin

(10) **Patent No.:** **US D966,189 S**
(45) **Date of Patent:** **** Oct. 11, 2022**

(54) **ADAPTOR**

(71) Applicant: **Shenzhenshi Meimao Technology Co., Ltd**, Shenzhen (CN)

(72) Inventor: **Shuxian Lin**, Shenzhen (CN)

(**) Term: **15 Years**

(21) Appl. No.: **29/777,012**

(22) Filed: **Apr. 2, 2021**

(51) **LOC (13) Cl.** **13-02**

(52) **U.S. Cl.**
USPC **D13/110**

(58) **Field of Classification Search**

USPC D13/110, 107, 108, 118, 119, 123, 133,
D13/137.1, 184, 199; D14/242, 251, 432,
D14/433, 434

CPC H01R 31/06; H01R 25/00; H02M 7/003;
H05K 7/1432; H02J 7/0062

See application file for complete search history.

(56) **References Cited**

U.S. PATENT DOCUMENTS

D456,008 S *	4/2002	Kawanobe	D13/110
D463,363 S *	9/2002	Veino	D13/110
D484,853 S *	1/2004	Alviar	D13/110
D547,266 S *	7/2007	Wong	D13/110
D568,814 S *	5/2008	Hung	D13/123
D575,730 S *	8/2008	Hung	D13/110

OTHER PUBLICATIONS

https://www.amazon.com/AspenTek-Supply-Adapter-Inline-Switch/dp/B00S1GRFY/ref=sr_1_3?crid=21SDVL3QKTEZS&keywords=aspen+tek+dc+12v+power+supply+adapter+with+inline&qid=1653188874&sprefix=aspen+tek+dc+12v+power+supply+adapter+with+inline%2Caps%2C59&sr=8-3, Feb. 24, 2016 (Year: 2016).*

* cited by examiner

Primary Examiner — Derrick E Holland

(57) **CLAIM**

The ornamental design for an adaptor, as shown and described.

DESCRIPTION

FIG. 1 is a perspective view of an adaptor showing my new design;

FIG. 2 is a front view thereof;

FIG. 3 is a back view thereof;

FIG. 4 is a left side view thereof;

FIG. 5 is a right side view thereof;

FIG. 6 is a top view thereof; and,

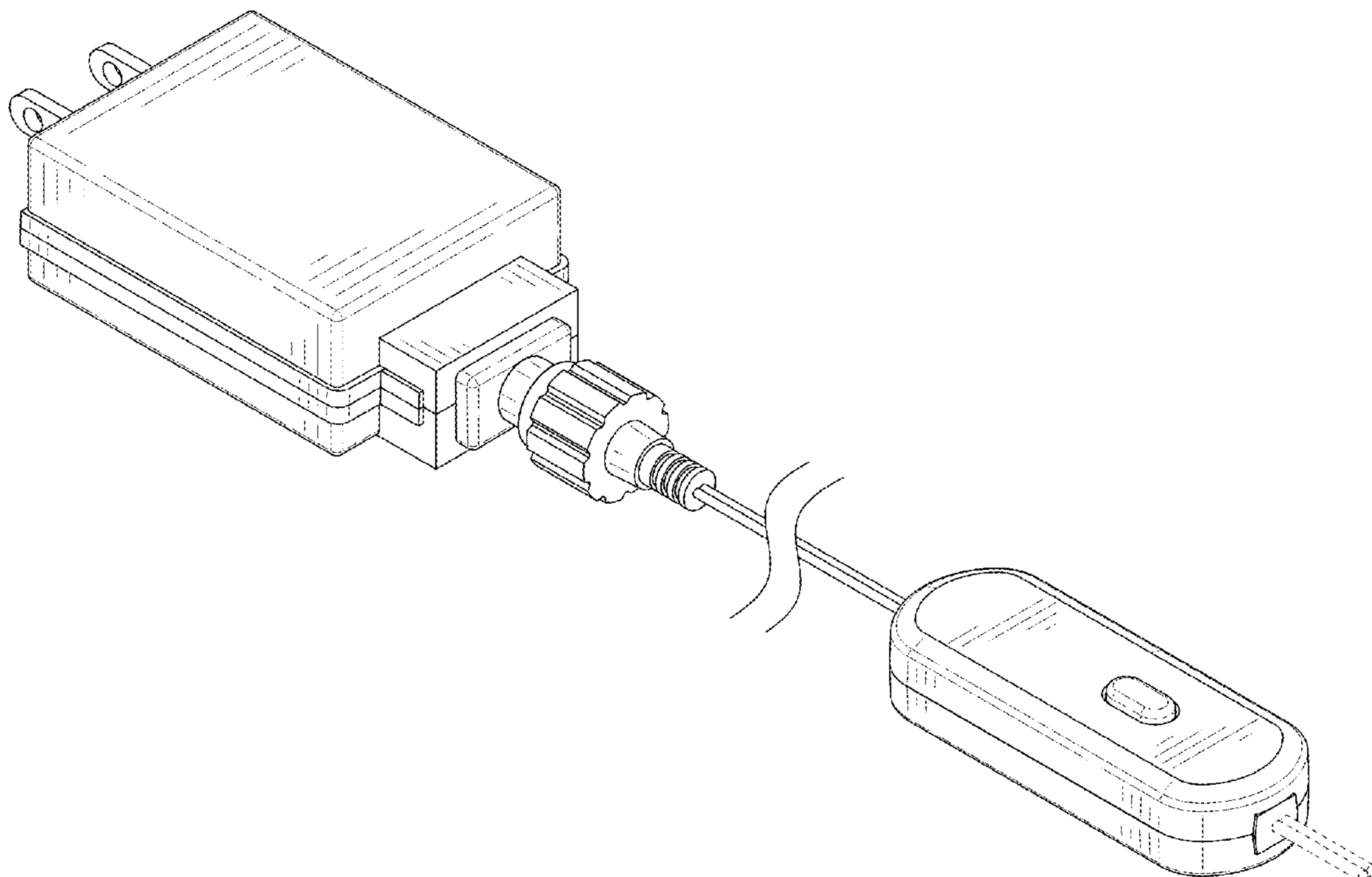
FIG. 7 is a bottom view thereof.

The broken lines shown in the drawings depict portions of the adaptor in which the design is embodied that form no part of the claimed design.

The adaptor is shown with a symbolic break in its length.

The appearance of any portion of the article between the break lines forms no part of the claimed design.

1 Claim, 7 Drawing Sheets



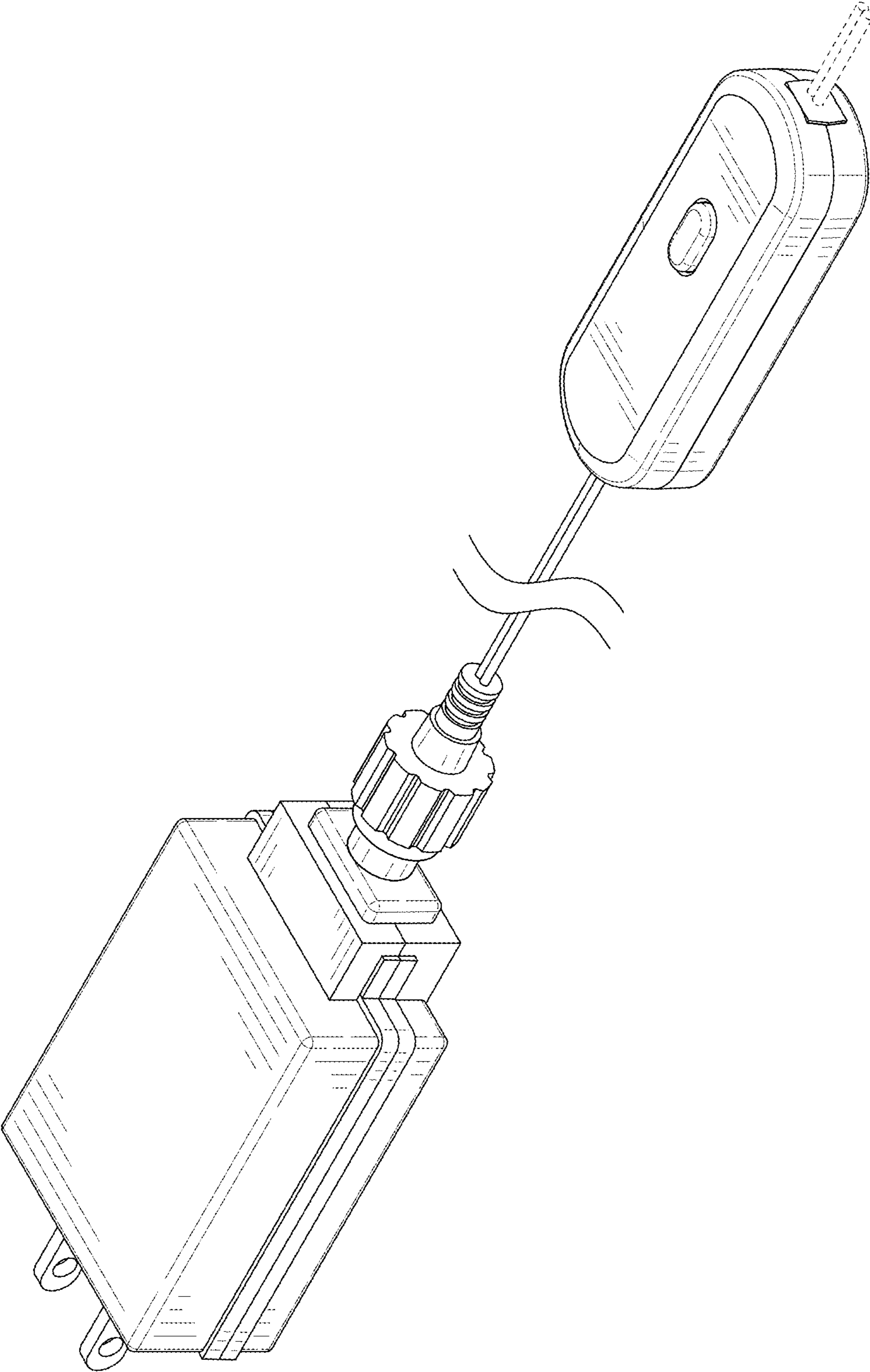


FIG. 1

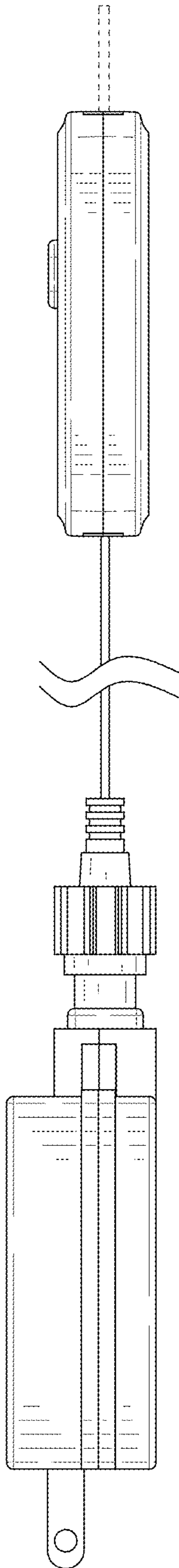


FIG. 2

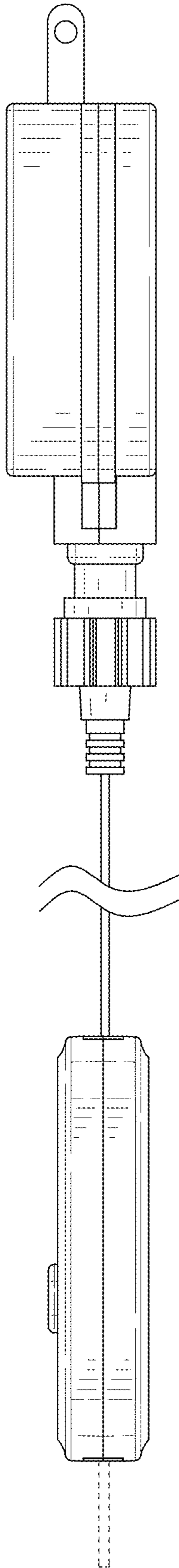


FIG. 3

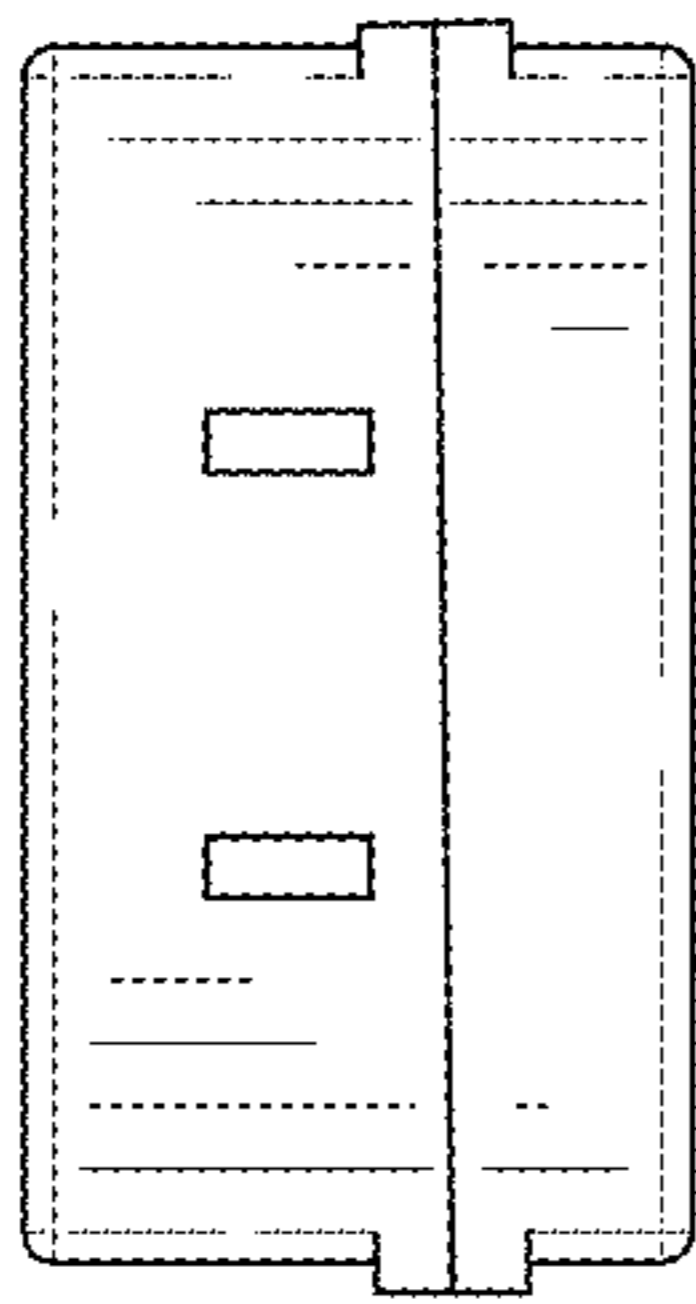


FIG. 4

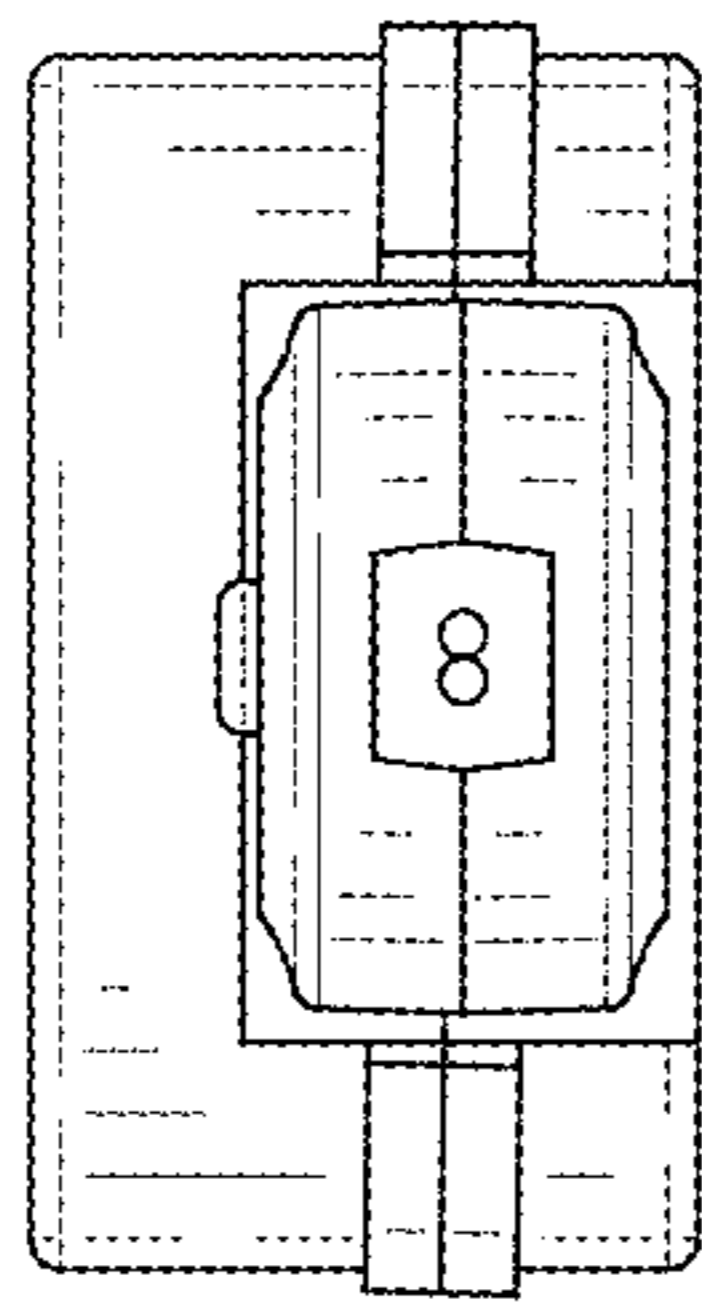


FIG. 5

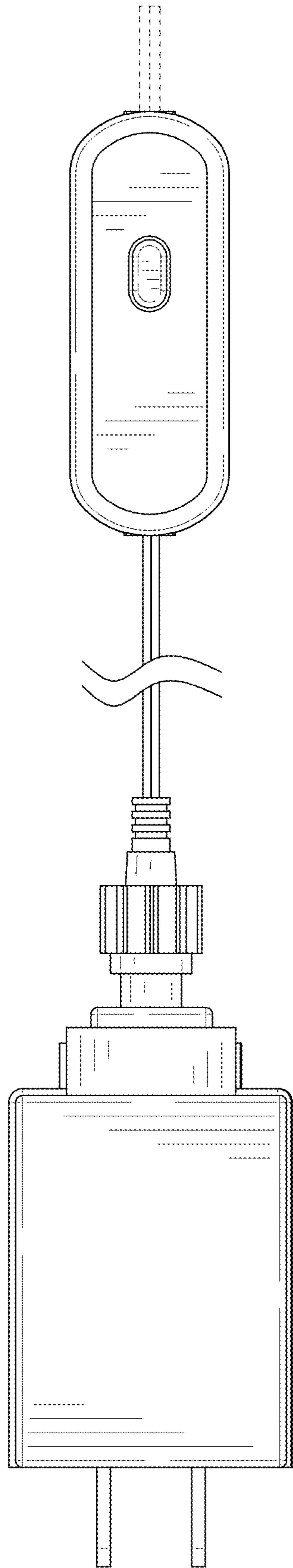


FIG. 6

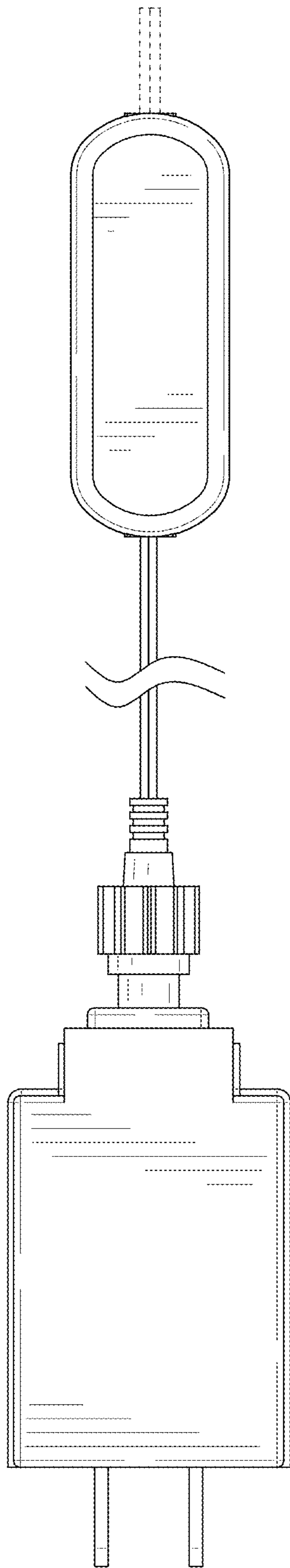


FIG. 7