



US00D966187S

(12) **United States Design Patent** (10) **Patent No.:** **US D966,187 S**  
**Zucchetto et al.** (45) **Date of Patent:** **\*\* Oct. 11, 2022**

(54) **CHARGER**

(71) Applicant: **Eaton Intelligent Power Limited**,  
Dublin (IE)

(72) Inventors: **Daniel Zucchetto**, Dublin (IE);  
**Padhraig Ryan**, Dublin (IE); **Om**  
**Tandon**, Dublin (IE)

(73) Assignee: **EATON INTELLIGENT POWER**  
**LIMITED**, Dublin (IE)

(\*\*) Term: **15 Years**

(21) Appl. No.: **29/744,724**

(22) Filed: **Jul. 30, 2020**

(51) **LOC (13) Cl.** ..... **13-02**

(52) **U.S. Cl.**  
USPC ..... **D13/108**

(58) **Field of Classification Search**  
USPC .... D13/103, 107, 108, 110, 118, 119, 137.2,  
D13/137.3, 139.1, 139.4, 139.5;  
D14/251, 252, 253, 432, 433, 434, 447  
CPC ..... H01R 24/00; H01R 12/592; H02J 7/0044;  
H02J 7/0045  
See application file for complete search history.

(56) **References Cited**

**U.S. PATENT DOCUMENTS**

D735,131 S *	7/2015	Akana	.....	D13/108
D747,267 S *	1/2016	Aumiller	.....	D13/108
D782,973 S *	4/2017	Zhou	.....	D13/108
D796,433 S *	9/2017	Langhammer	.....	D13/108
D797,042 S *	9/2017	Miller	.....	D13/107
D817,268 S *	5/2018	Symons	.....	D13/108
D897,954 S *	10/2020	Wei	.....	D13/108
D897,956 S *	10/2020	Yang	.....	D13/108
D911,276 S *	2/2021	Li	.....	D13/108
2017/0093198 A1 *	3/2017	Graham	.....	H04B 5/0081

(Continued)

**OTHER PUBLICATIONS**

“Bag Boy Golf Solar Charger”. Found online Aug. 13, 2021 at  
amazon.com. Reference dated Sep. 15, 2017. Retrieved from https://  
www.amazon.com/Bag-Boy-Solar-Charger-Black/dp/  
B074GB6QNT. (Year: 2017).\*

(Continued)

*Primary Examiner* — Kendra Leslie Hamilton

*Assistant Examiner* — Amanda Christensen

(74) *Attorney, Agent, or Firm* — Hunton Andrews Kurth  
LLP

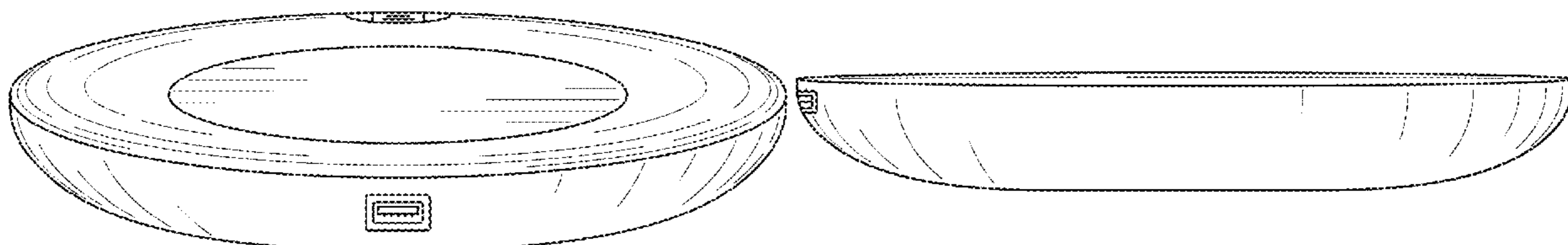
(57) **CLAIM**

The ornamental design for a charger, as shown and  
described.

**DESCRIPTION**

FIG. 1 is a perspective view of a charger;  
FIG. 2 is a top view of the charger, shown in a first condition  
of use;  
FIG. 3 is a right side view of the charger of FIG. 1;  
FIG. 4 is a bottom view thereof;  
FIG. 5 is a top, rear perspective view of the charger, shown  
in a second condition of use;  
FIG. 6 is a top, rear perspective view of the charger, shown  
in a third condition of use;  
FIG. 7 is a top, rear perspective view of the charger, shown  
in the third condition of use and enlarged for clarity of  
disclosure;  
FIG. 8 is a top, rear perspective view of the charger, shown  
in a fourth condition of use; and,  
FIG. 9 is an enlarged top, rear perspective view of the detail  
identified in FIG. 8.  
The equal-length broken lines on the charger depict  
unclaimed portions thereof, and form no part of the claimed  
design. The equal-length broken lines showing a charging  
cord, golf clubs, and a golf bag depict environmental struc-  
ture and form no part of the claimed design.

**1 Claim, 4 Drawing Sheets**



(56)

**References Cited**

U.S. PATENT DOCUMENTS

2019/0052104 A1\* 2/2019 Schlachte ..... H02J 7/0044  
2020/0059114 A1\* 2/2020 Langlois ..... H02J 50/10  
2020/0083726 A1\* 3/2020 Kim ..... H02J 7/0044

OTHER PUBLICATIONS

“Belkin Wireless Charger”. Found online Aug. 11, 2021 at amazon.com. Reference dated Apr. 10, 2019. Retrieved from <https://www.amazon.com/Belkin-Wireless-Charger-10W-Charging/dp/B07Q27Y775>. (Year: 2019).\*

“Belkin Boost Up Wireless Charging Pad”. Found online Apr. 23, 2021 at amazon.co.uk. Reference dated Sep. 14, 2017. Retrieved from [https://www.amazon.co.uk/Belkin-Wireless-Charging-Charger-Samsung-Black/dp/B075TPMKC1/ref=asc\\_df\\_B07D151NS7/?th=1](https://www.amazon.co.uk/Belkin-Wireless-Charging-Charger-Samsung-Black/dp/B075TPMKC1/ref=asc_df_B07D151NS7/?th=1). (Year: 2017).\*

\* cited by examiner

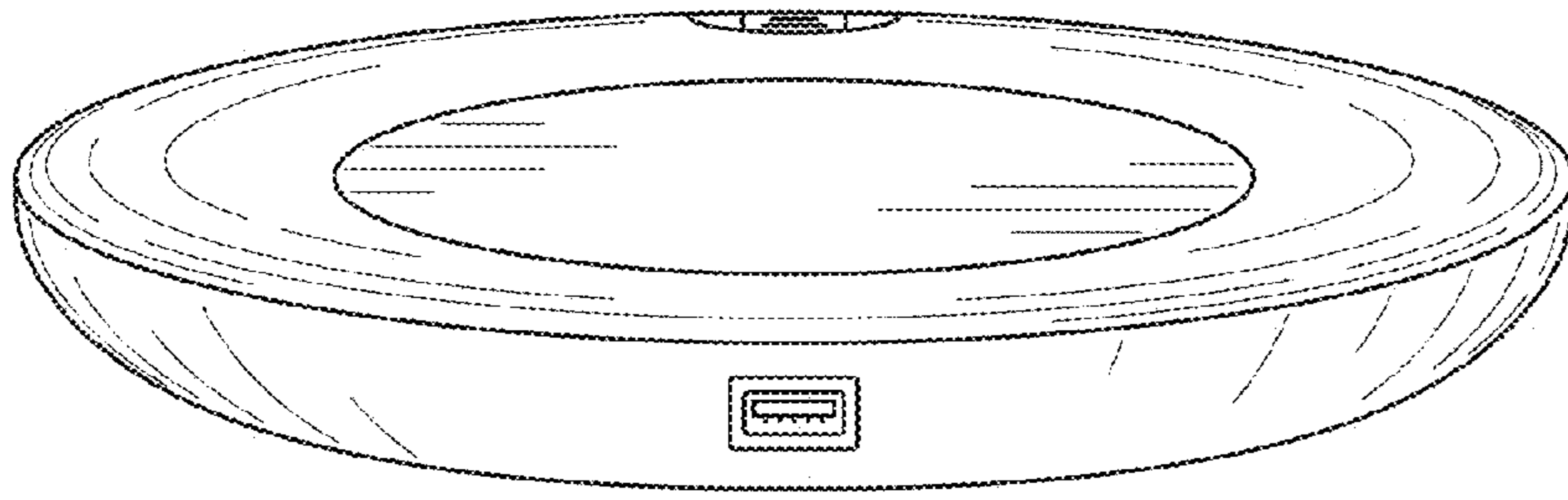


FIG. 1

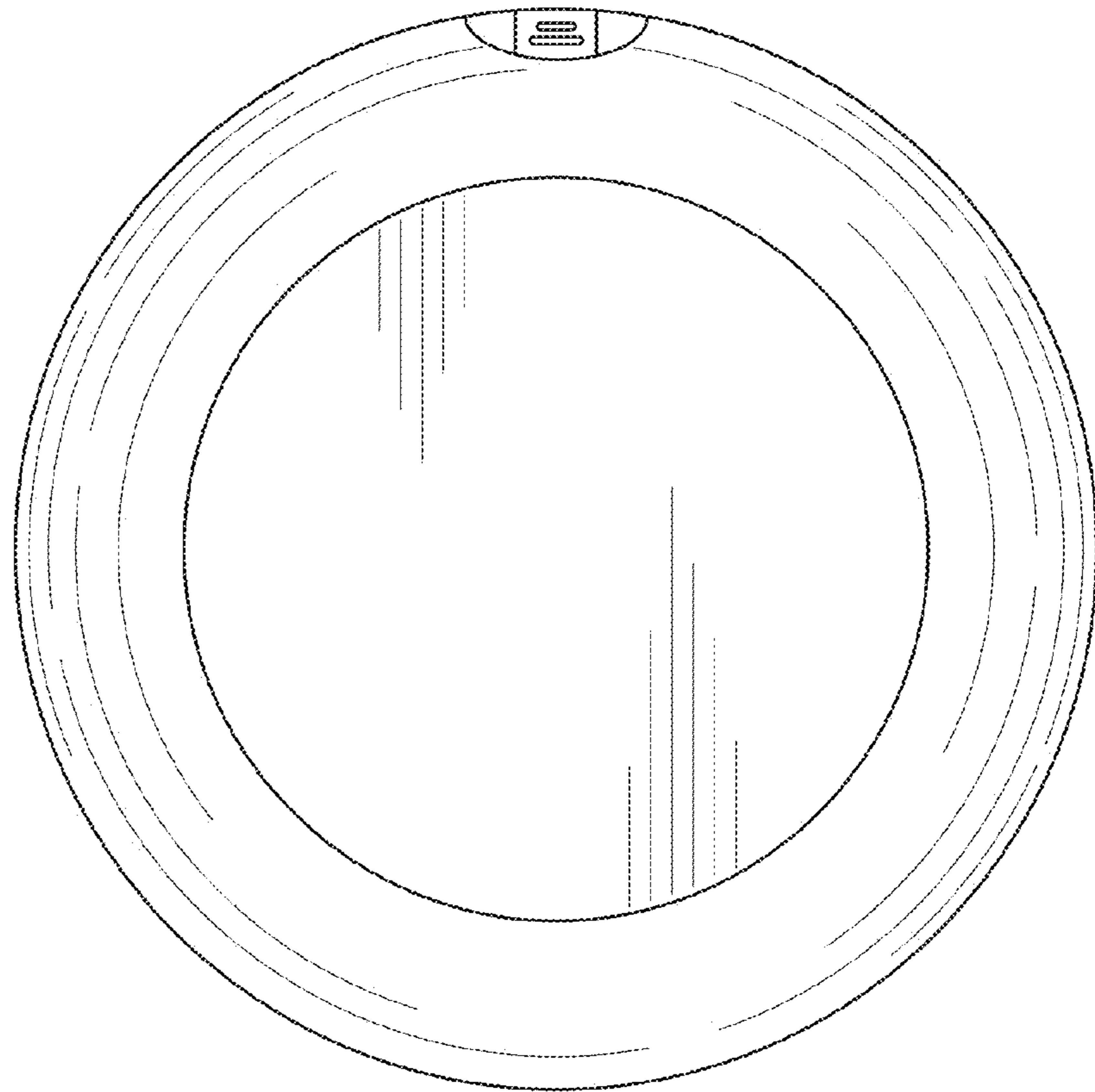


FIG. 2

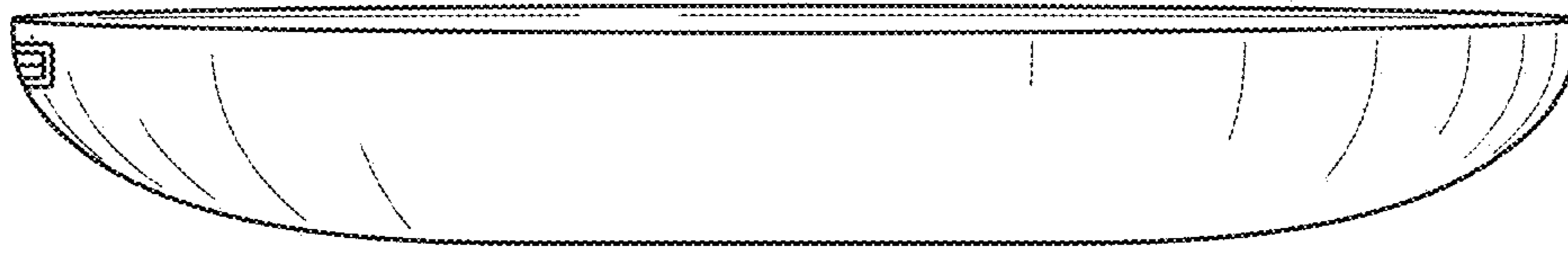


FIG. 3

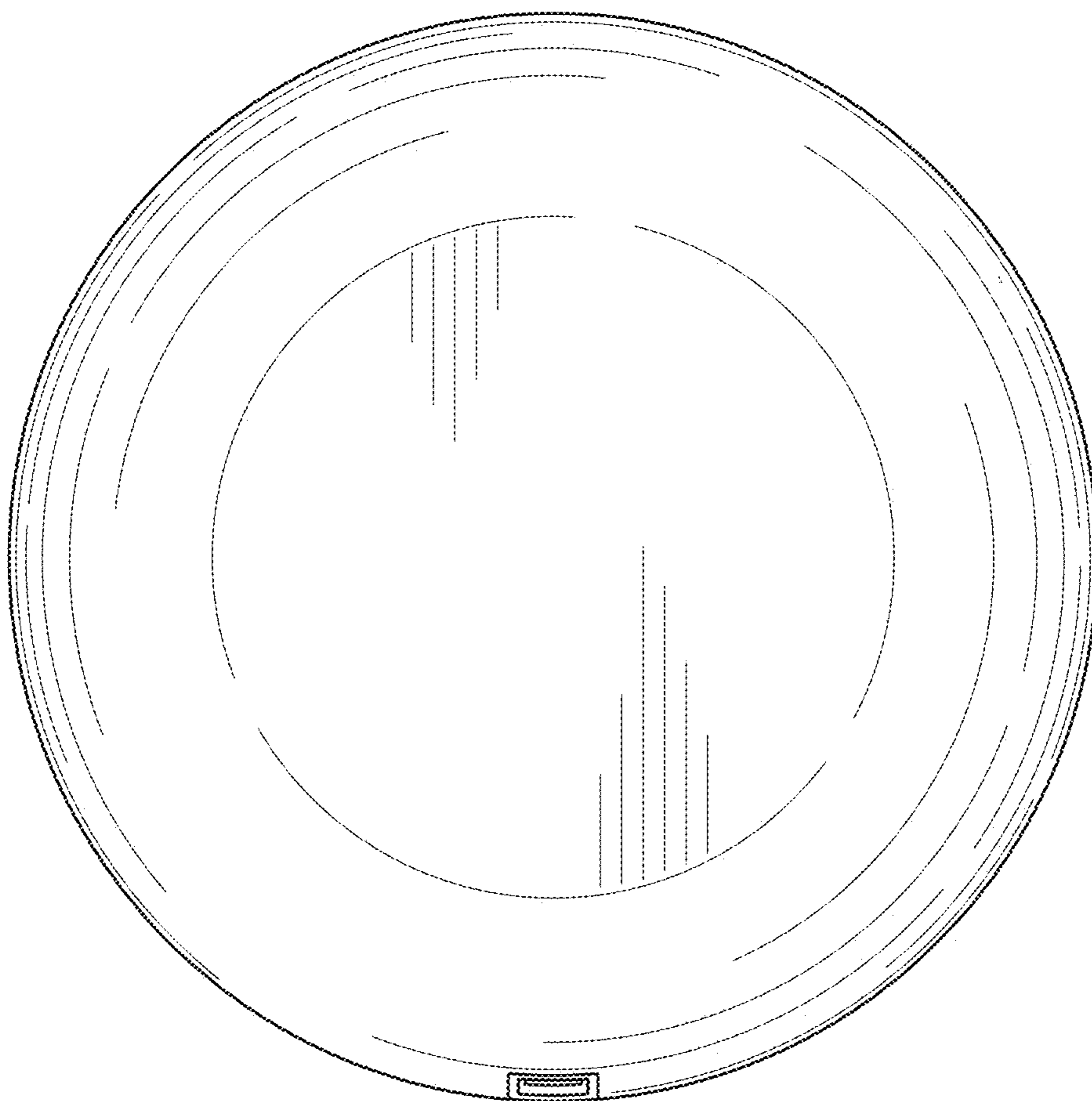


FIG. 4

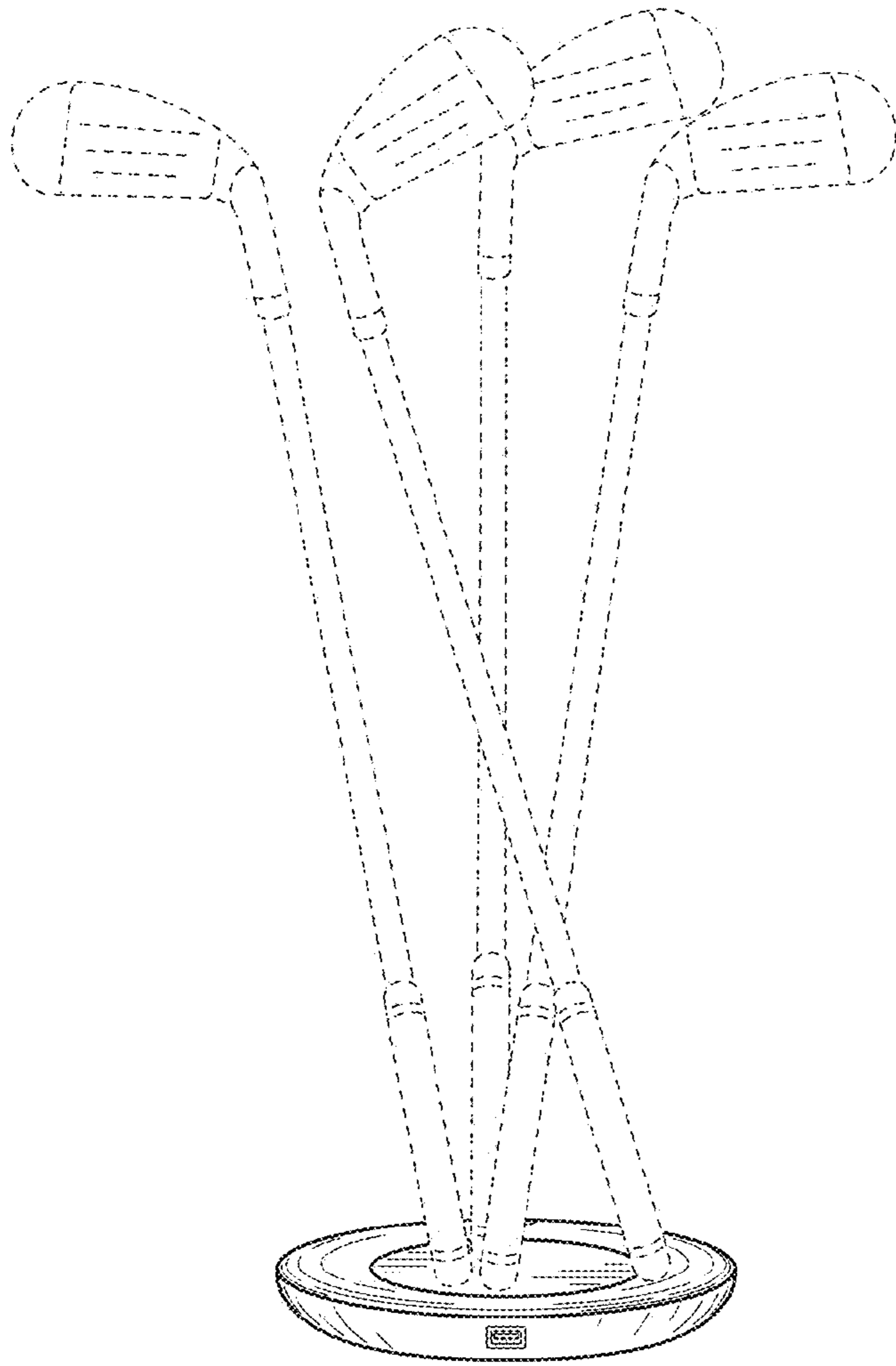


FIG. 5

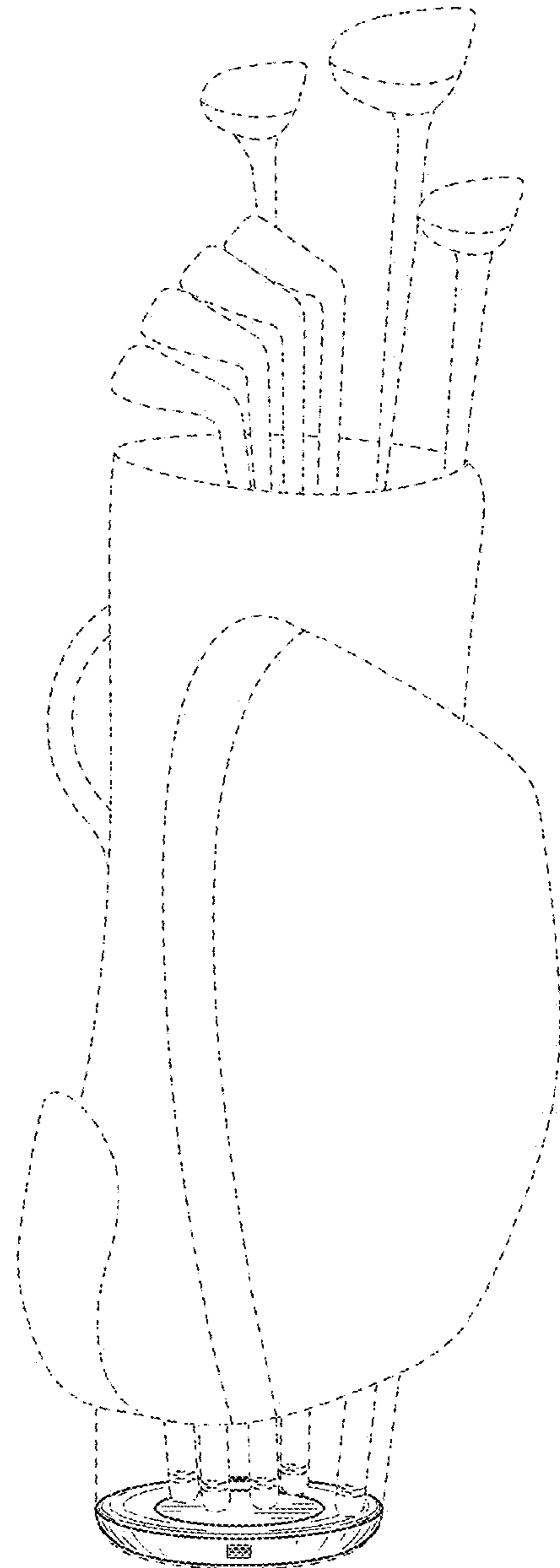


FIG. 6

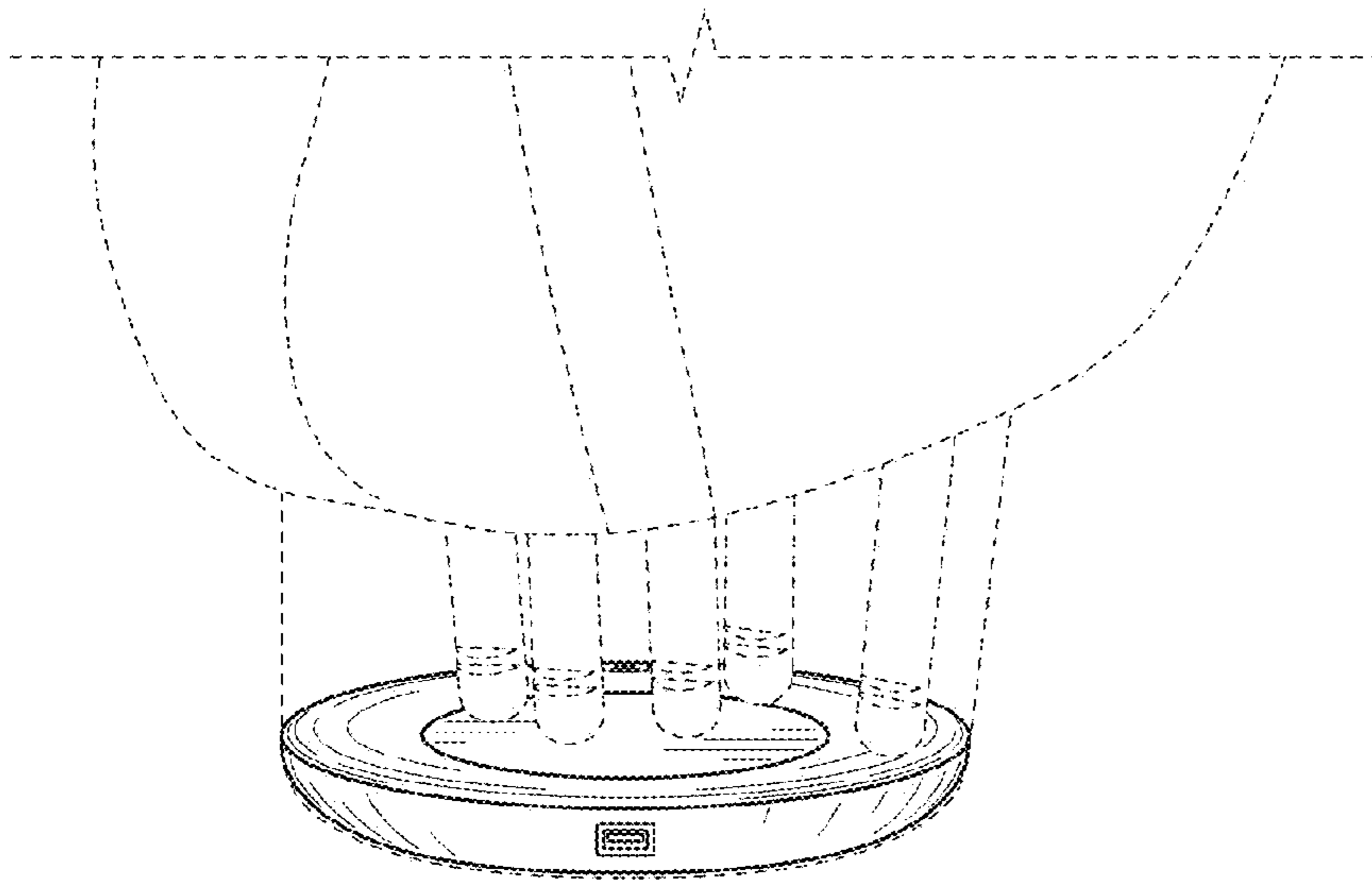


FIG. 7

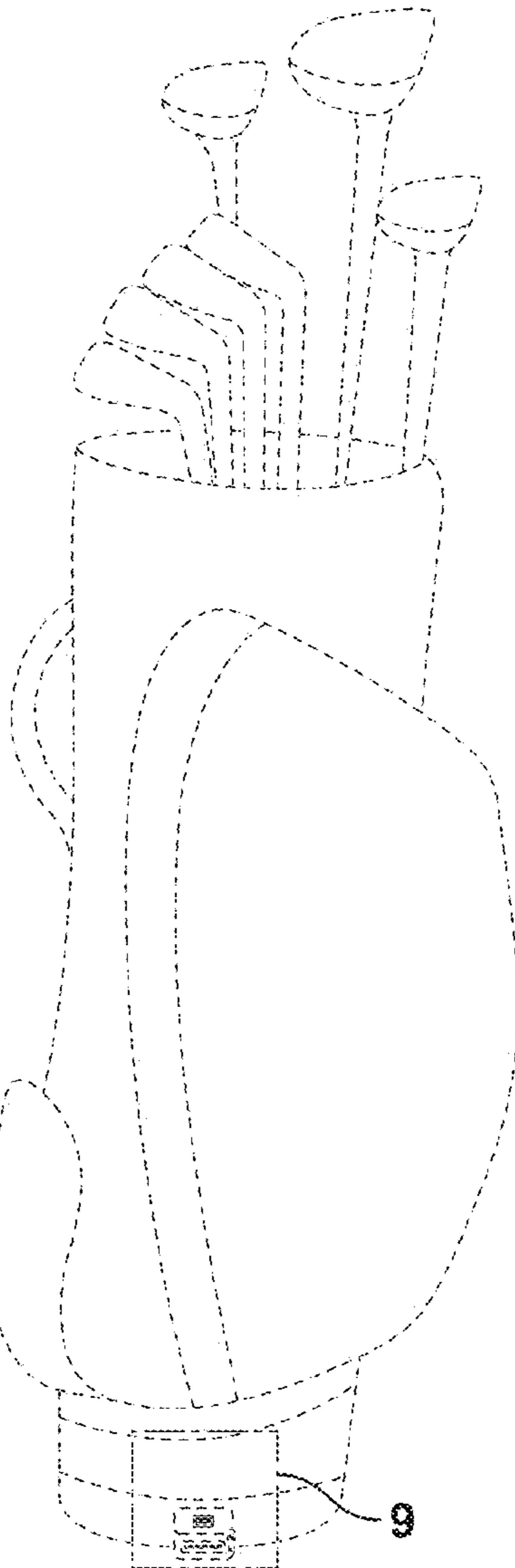


FIG. 8

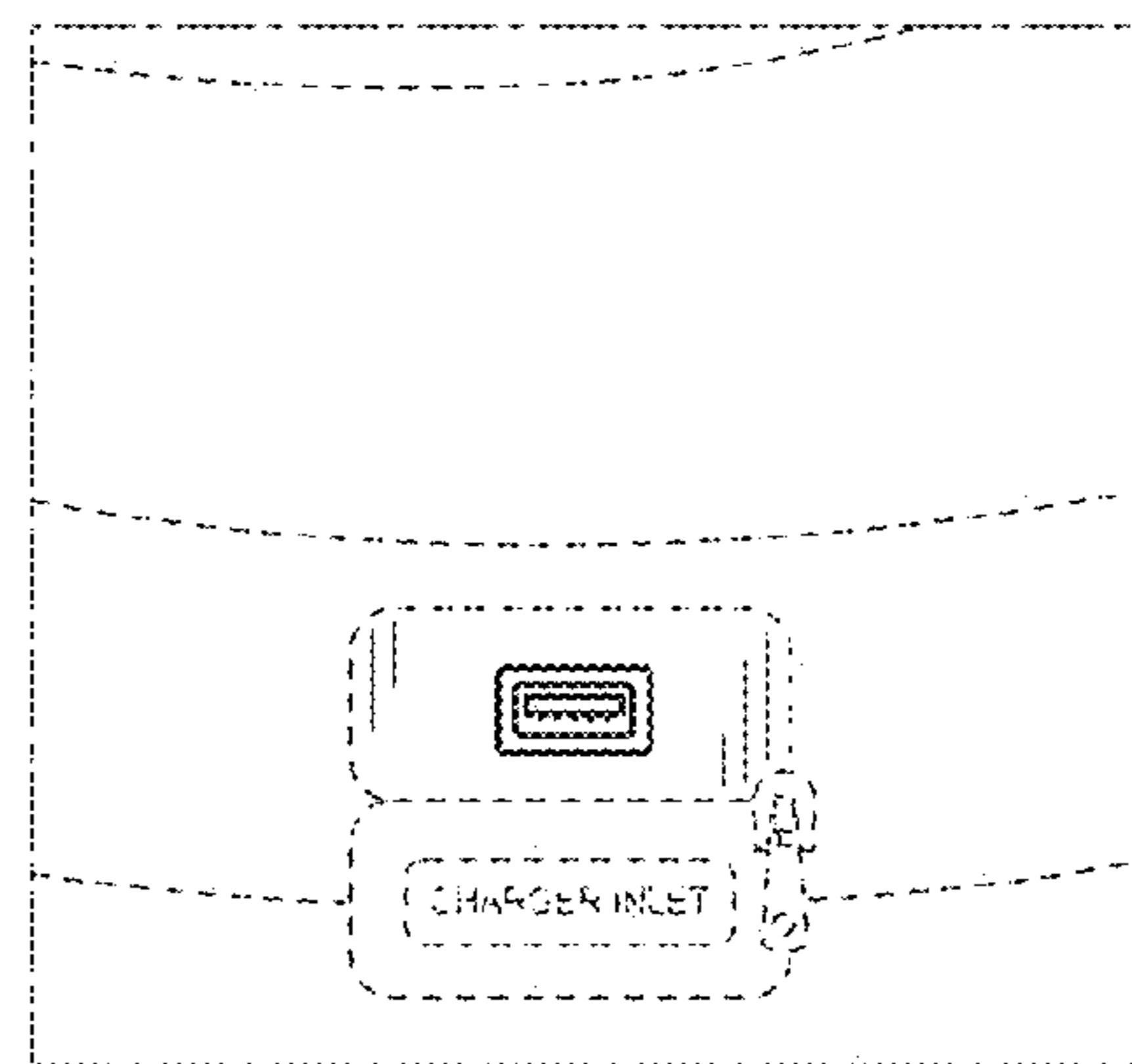


FIG. 9

UNITED STATES PATENT AND TRADEMARK OFFICE  
**CERTIFICATE OF CORRECTION**

PATENT NO. : D966,187 S  
APPLICATION NO. : 29/744724  
DATED : October 11, 2022  
INVENTOR(S) : Daniel Zucchetto et al.

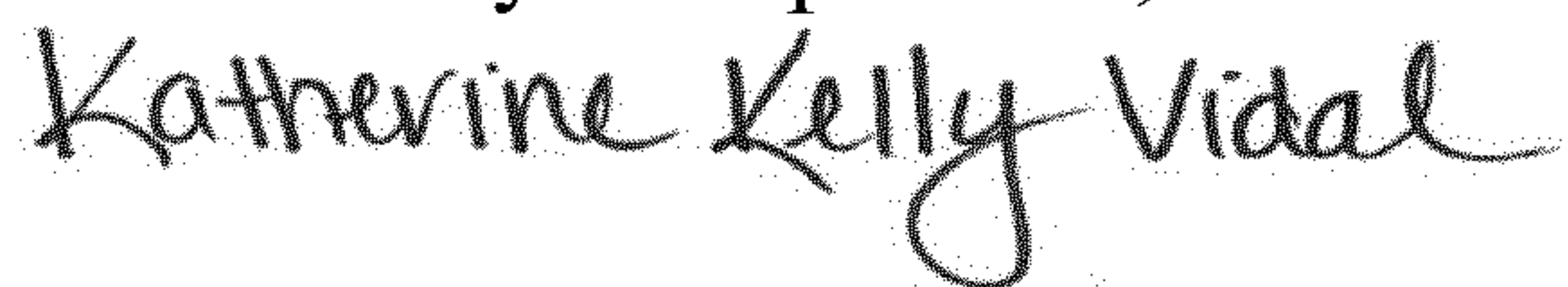
Page 1 of 1

It is certified that error appears in the above-identified patent and that said Letters Patent is hereby corrected as shown below:

On the Title Page

Column 1, Item (30) add:  
Foreign Application Priority Data  
January 31, 2020 (EM).....007576749-0001

Signed and Sealed this  
Third Day of September, 2024



Katherine Kelly Vidal  
*Director of the United States Patent and Trademark Office*