



US00D966185S

(12) **United States Design Patent** (10) **Patent No.:** **US D966,185 S**  
**Gupta et al.** (45) **Date of Patent:** **\*\* Oct. 11, 2022**

(54) **CHARGING STATION**

(71) Applicant: **Siemens Aktiengesellschaft**, Munich (DE)

(72) Inventors: **Vivek Kumar Gupta**, Erlangen (DE);  
**Stephan Hühne**, Wilhermsdorf (DE);  
**Alexander Meinke**, Hamburg (DE)

(73) Assignee: **Siemens Aktiengesellschaft**, Munich (DE)

(\*\*) Term: **15 Years**

(21) Appl. No.: **29/755,102**

(22) Filed: **Oct. 16, 2020**

(30) **Foreign Application Priority Data**

Apr. 17, 2020 (EM) ..... 007818174

(51) **LOC (13) Cl.** ..... **13-02**

(52) **U.S. Cl.**  
USPC ..... **D13/107**

(58) **Field of Classification Search**

USPC ..... D13/107-110, 118-119, 184; D14/251,  
D14/253, 432, 434  
CPC ..... Y02T 90/14; H02J 7/025; H02J 7/0042;  
H02J 7/0044; H02J 7/0045; H02J 7/0003;  
H01F 38/14; H01R 13/6675; H01M  
10/44; H01M 10/46; H01M 10/425  
See application file for complete search history.

(56) **References Cited**

U.S. PATENT DOCUMENTS

D659,635 S *	5/2012	Hou	.....	D13/107
D683,307 S *	5/2013	Lecoanet	.....	D13/107
D683,697 S *	6/2013	Lecoanet	.....	D13/107
D729,158 S *	5/2015	Gilomen	.....	D13/107
D733,649 S *	7/2015	Behar	.....	D13/107
D778,818 S *	2/2017	Bruining	.....	D13/107
D833,387 S *	11/2018	Baxter	.....	D13/107
D868,687 S *	12/2019	da Silva	.....	D13/107
D873,768 S *	1/2020	Minkyoo	.....	D13/107
D876,343 S *	2/2020	Mercer	.....	D13/107
D876,345 S *	2/2020	Mercer	.....	D13/107
D893,414 S *	8/2020	Mercer	.....	D13/107
D937,199 S *	11/2021	Gehrmann	.....	D13/107

\* cited by examiner

*Primary Examiner* — Nathaniel D. Buckner

(74) *Attorney, Agent, or Firm* — Henry M. Feiereisen LLC

(57) **CLAIM**

The ornamental design for a charging station, as shown and described.

**DESCRIPTION**

FIG. 1 is a front view of a charging station, showing our new design;  
FIG. 2 is a top view thereof;  
FIG. 3 is a right side view thereof;  
FIG. 4 is a left side view thereof; and,  
FIG. 5 is a front and left side perspective view thereof.

**1 Claim, 5 Drawing Sheets**

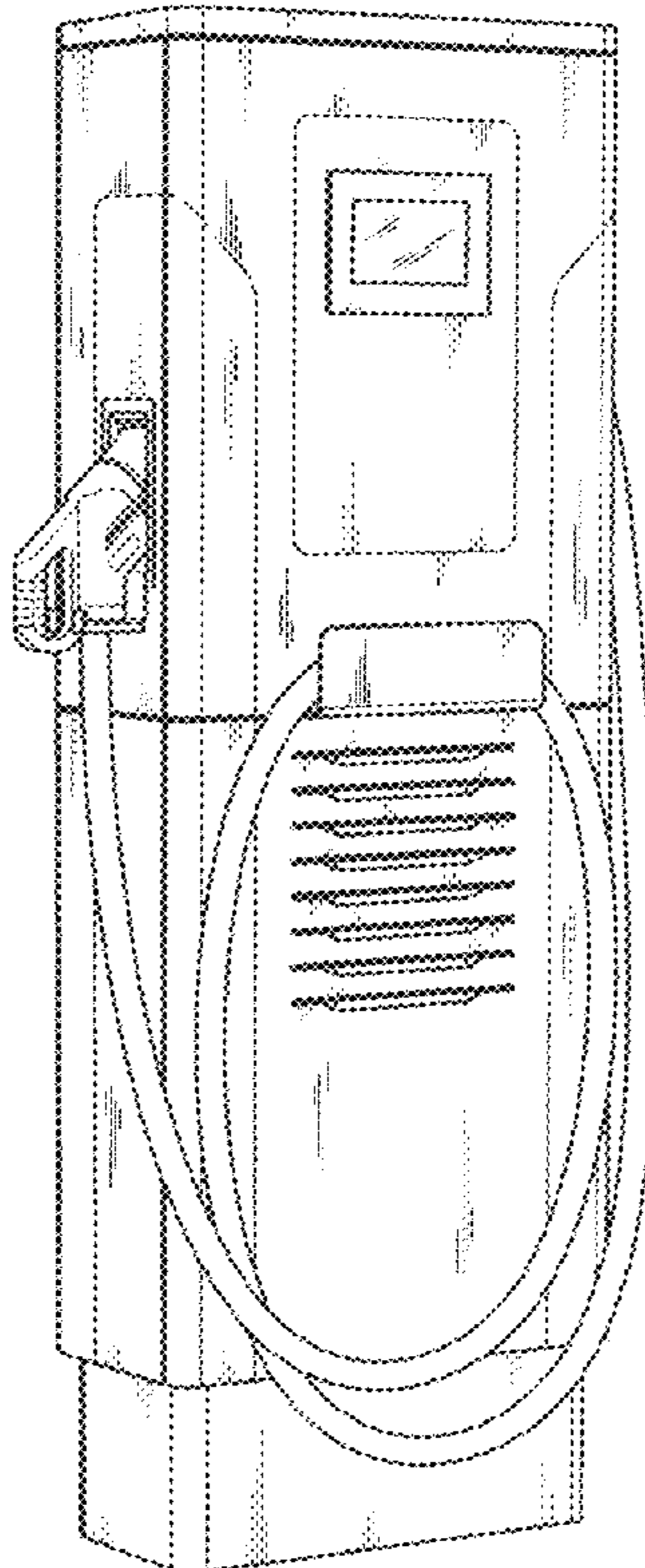


FIG. 1

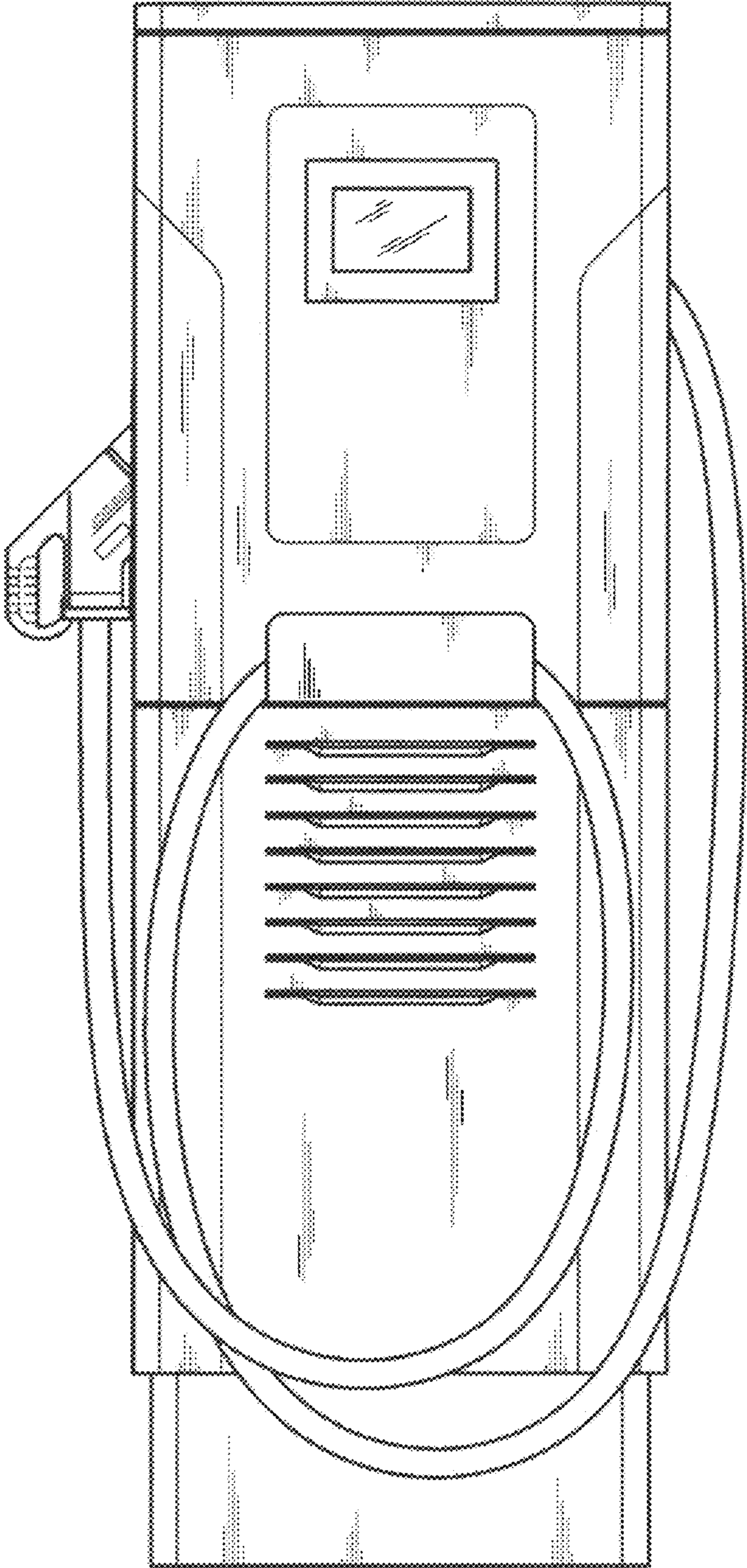


FIG. 2

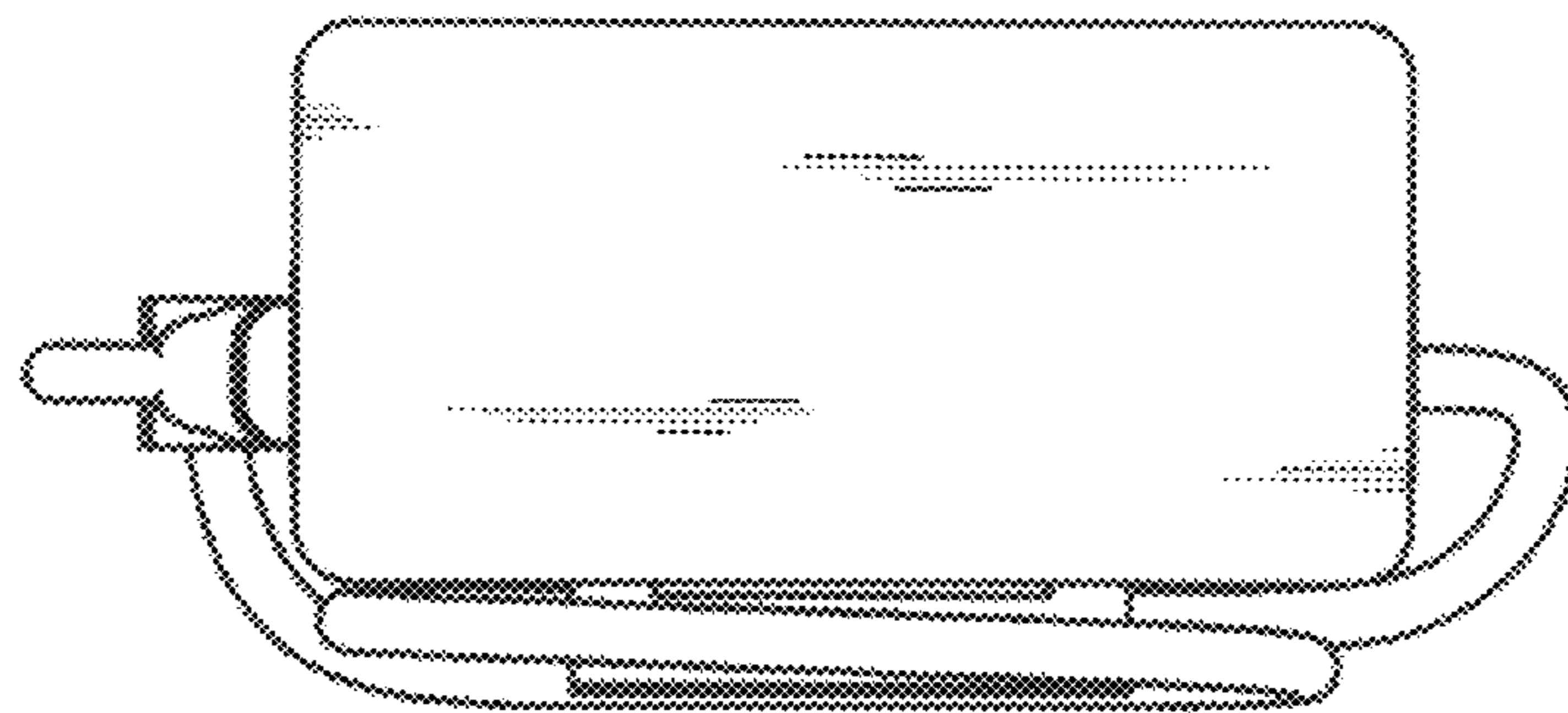




FIG. 3

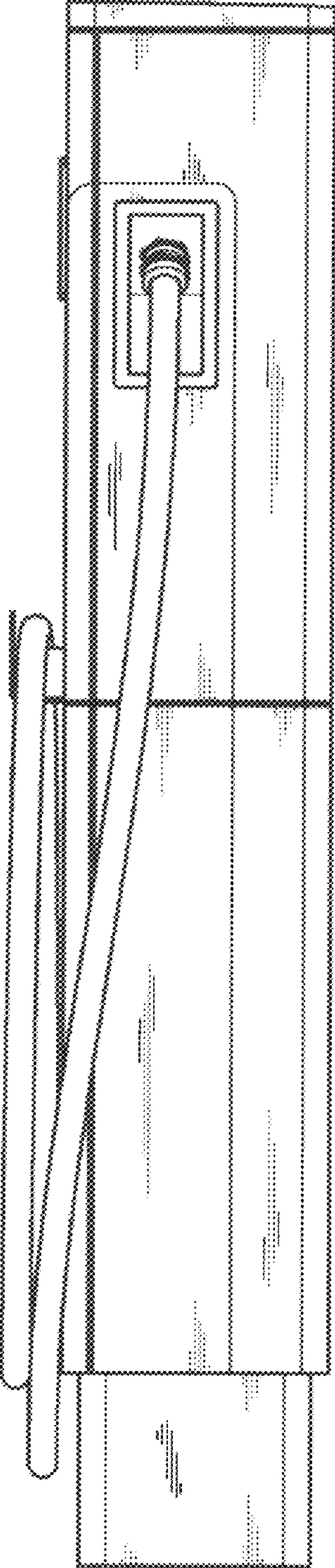


FIG. 4

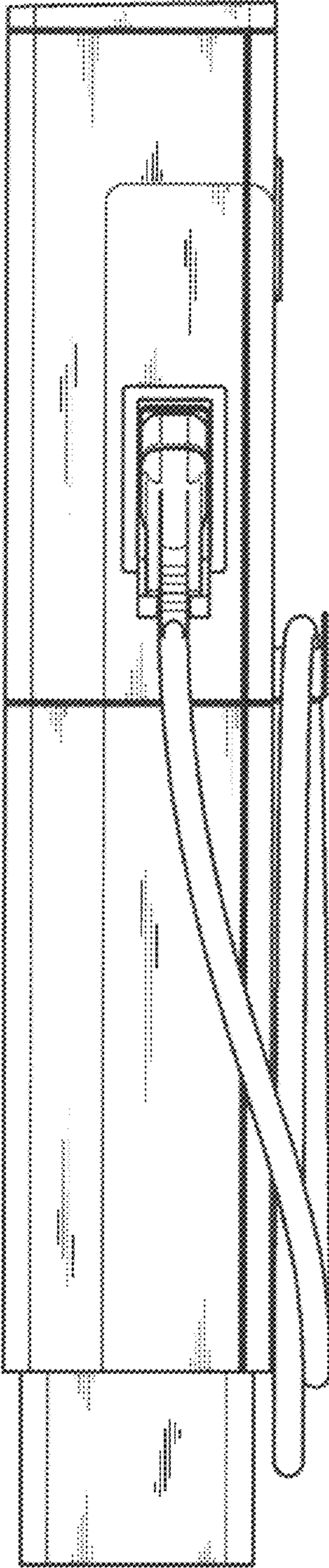


FIG. 5

