



US00D966183S

(12) **United States Design Patent** (10) **Patent No.:** **US D966,183 S**  
**Laurino et al.** (45) **Date of Patent:** **\*\* Oct. 11, 2022**

(54) **DETACHABLE POWER SUPPLY FOR DATA  
LOGGER**

(71) Applicant: **Fluke Corporation**, Everett, WA (US)

(72) Inventors: **Ferdinand Y. Laurino**, Seattle, WA  
(US); **Matthew Bannister**, Lake  
Stevens, WA (US)

(73) Assignee: **Fluke Corporation**, Everett, WA (US)

(\*\*) Term: **15 Years**

(21) Appl. No.: **29/700,161**

(22) Filed: **Jul. 31, 2019**

**Related U.S. Application Data**

(62) Division of application No. 29/547,305, filed on May  
11, 2018, now Pat. No. Des. 856,275, which is a  
(Continued)

(51) **LOC (13) Cl.** ..... **13-02**

(52) **U.S. Cl.**  
USPC ..... **D13/103**

(58) **Field of Classification Search**  
USPC ..... D10/65, 78, 104, 104.1, 105.1, 106.1;  
D13/73, 103, 108, 110, 139.1-139.7, 147,  
(Continued)

(56) **References Cited**

**U.S. PATENT DOCUMENTS**

D303,524 S 9/1989 Siegner et al.  
D358,380 S 5/1995 Sakaguchi  
(Continued)

**FOREIGN PATENT DOCUMENTS**

DE WOD042733-001 8/1998  
EM 001941386-0004 11/2011  
EM 001980780-0003 1/2012

**OTHER PUBLICATIONS**

“Two Way Radio Battery Walkie Talkie Battery Rechargeable  
Battery Battery Pack BM4000 for Motorola GP68/GP63,” <<http://sell.pakuya.com/product-info/205938/Two-way-radio-battery-walkie-talkie-battery-rechargeable-battery-battery-pack-BM400-for-Motorola-GP68/GP63>> [retrieved Feb. 3, 2014], 1 page.

(Continued)

*Primary Examiner* — Deanna L Pratt

(74) *Attorney, Agent, or Firm* — Seed Intellectual  
Property Law Group LLP

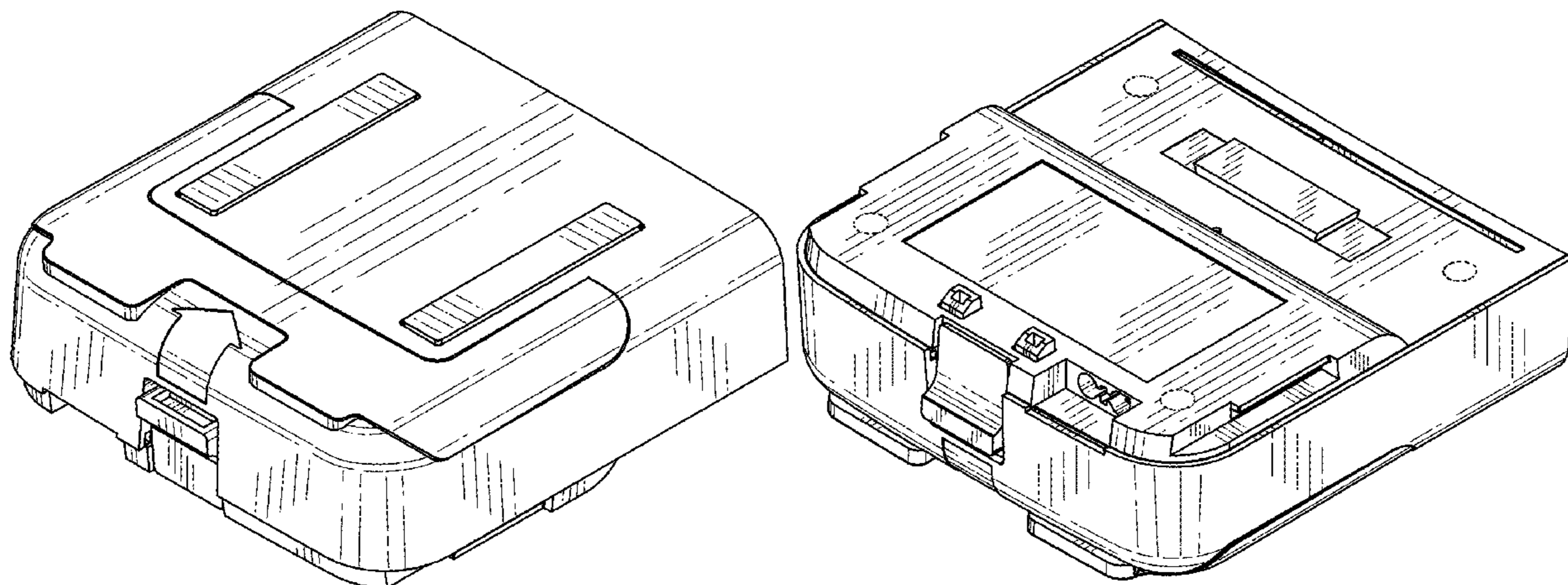
(57) **CLAIM**

The ornamental design for a detachable power supply for  
data logger, as shown and described.

**DESCRIPTION**

FIG. 1 is a top, front, right perspective view of a detachable  
power supply for a data logger showing our new design.  
FIG. 2 is a bottom, front, left perspective view thereof.  
FIG. 3 is a bottom rear perspective view thereof.  
FIG. 4 is a rear elevation view thereof.  
FIG. 5 is a front elevation view thereof.  
FIG. 6 is a top plan view thereof.  
FIG. 7 is a bottom plan view thereof.  
FIG. 8 is a right side elevation view thereof.  
FIG. 9 is a left side elevation view thereof.  
FIG. 10 is a top, front, right perspective view of another  
embodiment of the detachable power supply for a data  
logger showing our new design.  
FIG. 11 is a bottom, front, left perspective view thereof.  
FIG. 12 is a bottom rear perspective view thereof.  
FIG. 13 is a rear elevation view thereof.  
FIG. 14 is a front elevation view thereof.  
FIG. 15 is a top plan view thereof.  
FIG. 16 is a bottom plan view thereof.  
FIG. 17 is a right side elevation view thereof; and,  
FIG. 18 is a left side elevation view thereof.

(Continued)



The broken lines in the drawings illustrate portions of the detachable power supply for a data logger that form no part of the claimed design.

**1 Claim, 12 Drawing Sheets**

**Related U.S. Application Data**

division of application No. 29/593,850, filed on Feb. 13, 2017, now Pat. No. Des. 818,947, which is a division of application No. 29/523,201, filed on Apr. 7, 2015, now Pat. No. Des. 782,972, which is a division of application No. 29/441,514, filed on Jan. 7, 2013, now Pat. No. Des. 726,647.

(58) **Field of Classification Search**

USPC ..... D13/158, 171, 184, 199; D14/100, 106, D14/107, 114, 138 G, 155, 168, 188, D14/203.3, 217, 240, 242  
 CPC ..... H01M 2/1055  
 See application file for complete search history.

(56) **References Cited**

U.S. PATENT DOCUMENTS

D409,562 S	5/1999	Johansson et al.
D430,106 S	8/2000	Lee
D439,879 S	4/2001	Rotundo
D478,041 S	8/2003	Yang
D490,370 S	5/2004	Picardo
6,738,454 B2	5/2004	Mohammadian et al.

D495,992 S	9/2004	Lim	
D545,268 S	6/2007	Shiu	
D550,152 S	9/2007	Okuda et al.	
D597,933 S	8/2009	Aglassinger	
D597,935 S	8/2009	Aglassinger	
D641,360 S	7/2011	Ledbetter et al.	
D656,093 S	3/2012	Nomi et al.	
D667,005 S	9/2012	Lutz	
D726,647 S *	4/2015	Laurino .....	D13/103
D764,328 S	8/2016	Lafrance et al.	
D768,586 S	10/2016	Christianson et al.	
D776,610 S	1/2017	Nommensen et al.	
D776,611 S	1/2017	Thompson	
D776,614 S	1/2017	Söhnholz	
D782,418 S	3/2017	Visel et al.	
D782,972 S	4/2017	Laurino et al.	
D806,712 S	1/2018	Cebe	
D818,947 S	5/2018	Laurino et al.	
D851,512 S *	6/2019	Laurino .....	D10/75
D856,275 S *	8/2019	Laurino .....	D13/103
D864,771 S *	10/2019	Corrigan .....	D10/75
D892,114 S *	8/2020	Siminoff .....	D14/383
D902,847 S *	11/2020	Sexton .....	D13/107
D922,938 S *	6/2021	Sexton .....	D13/103
D937,277 S *	11/2021	Recker .....	D14/443
D938,291 S *	12/2021	Corrigan .....	D10/75

OTHER PUBLICATIONS

“Wholesale Battery Pack—But 5\* AA Radio Battery Shell for Motorola GP68 GP63 New J0258A,” <<http://www.dhgate.com/product/5-aa-radio-battery-pack-shell-for-motorola/152114767.html>> [retrieved Feb. 3, 2014], 1 page.

\* cited by examiner

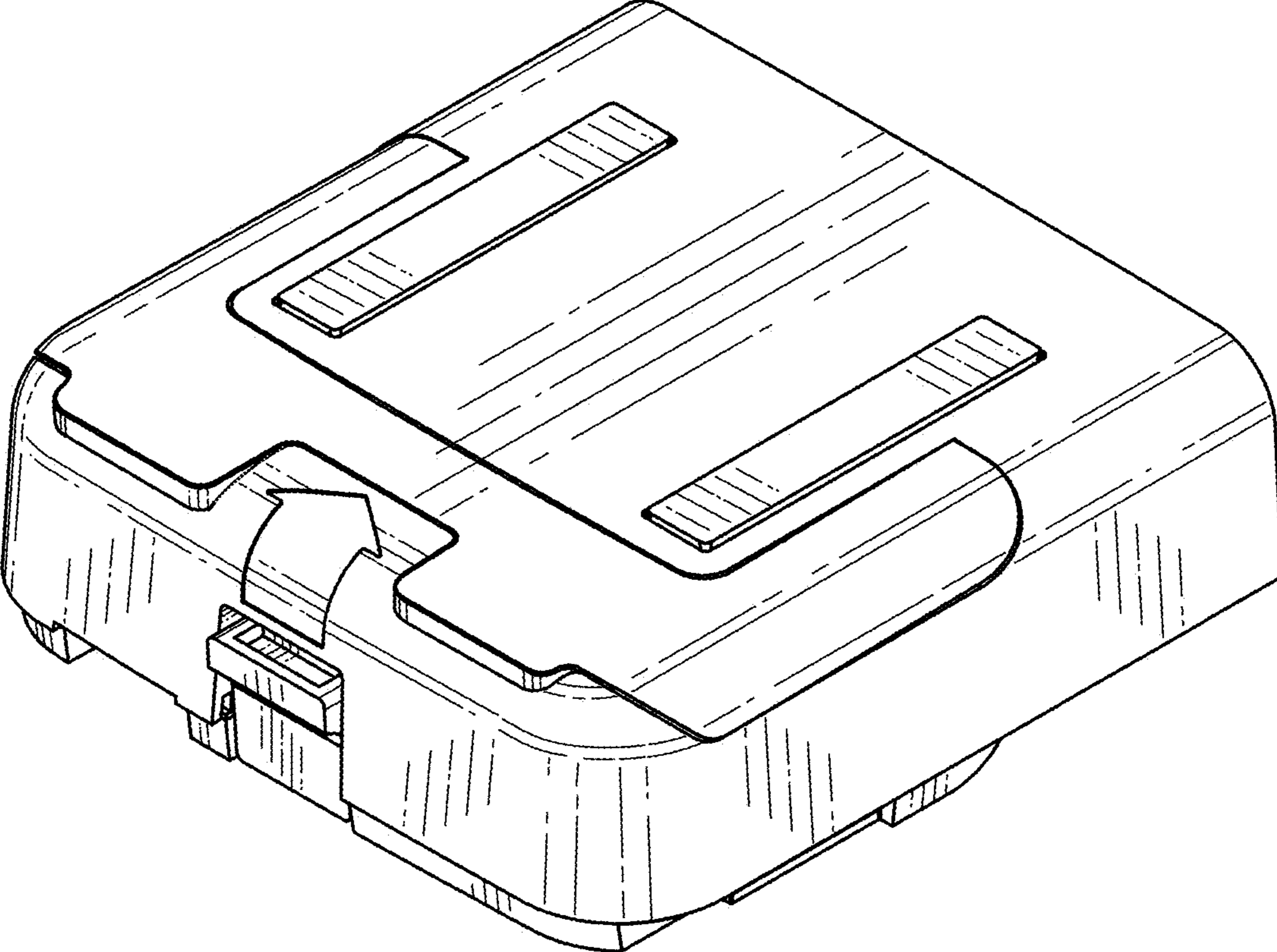


FIG. 1

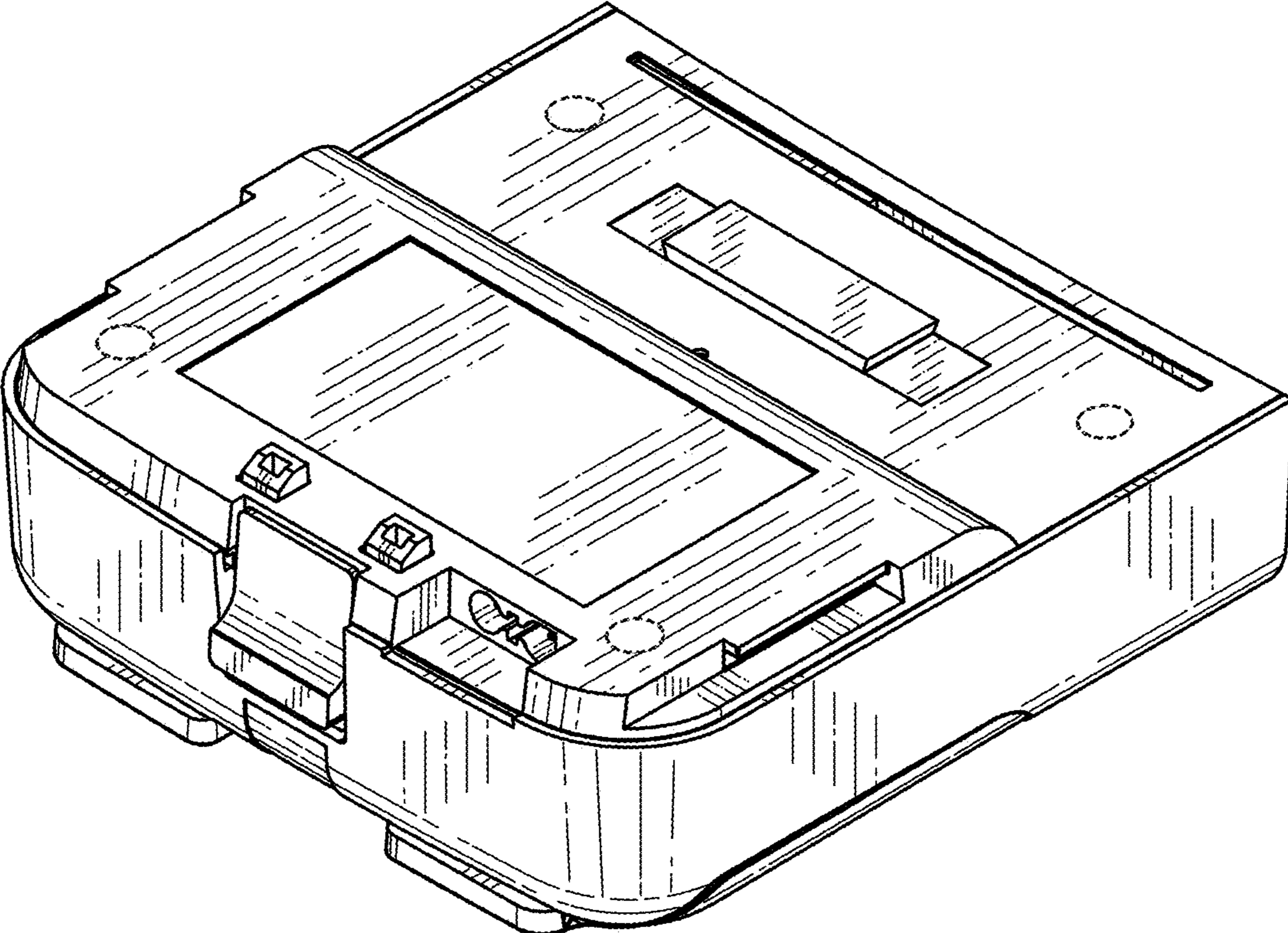


FIG. 2

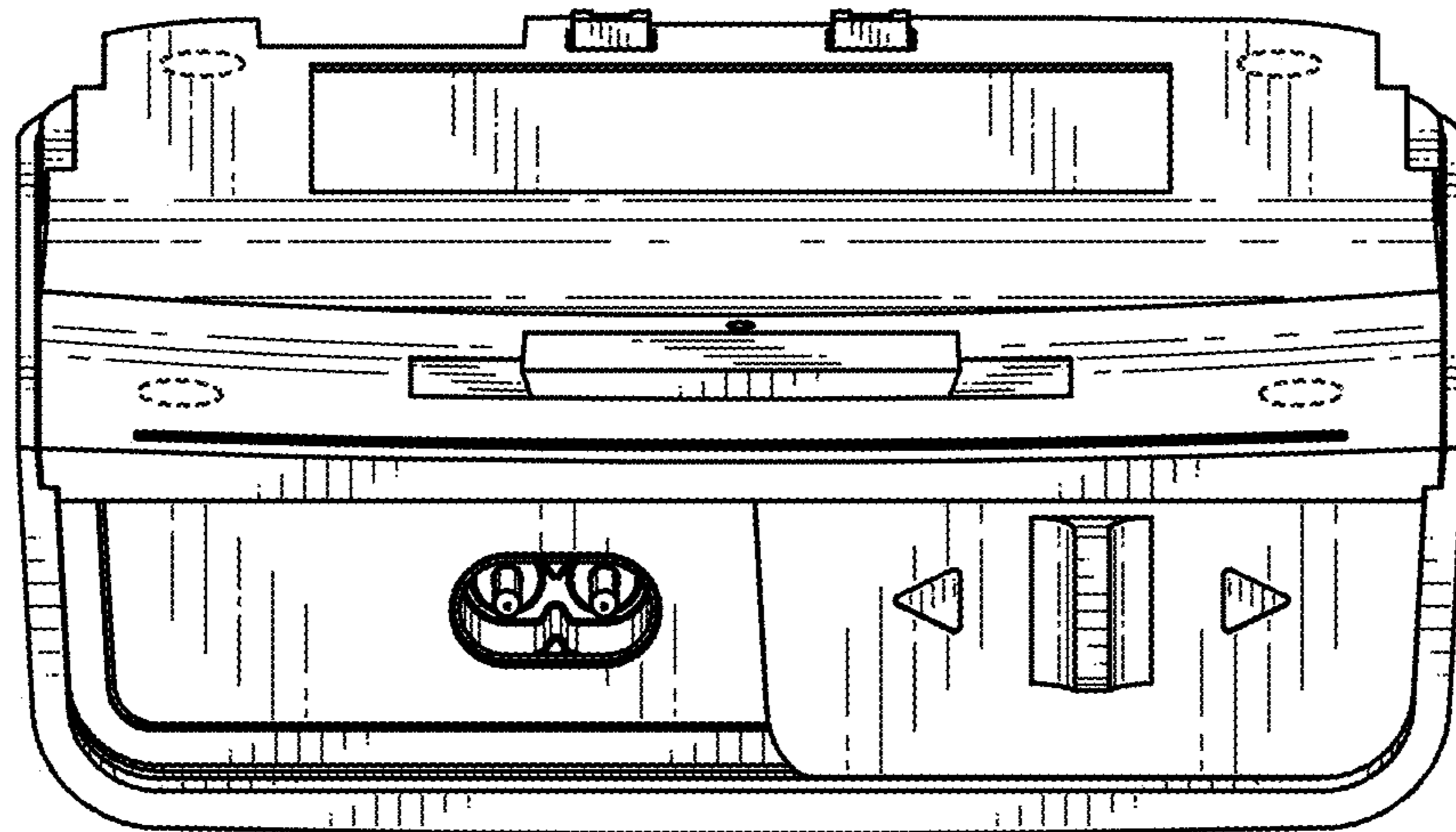


FIG. 3

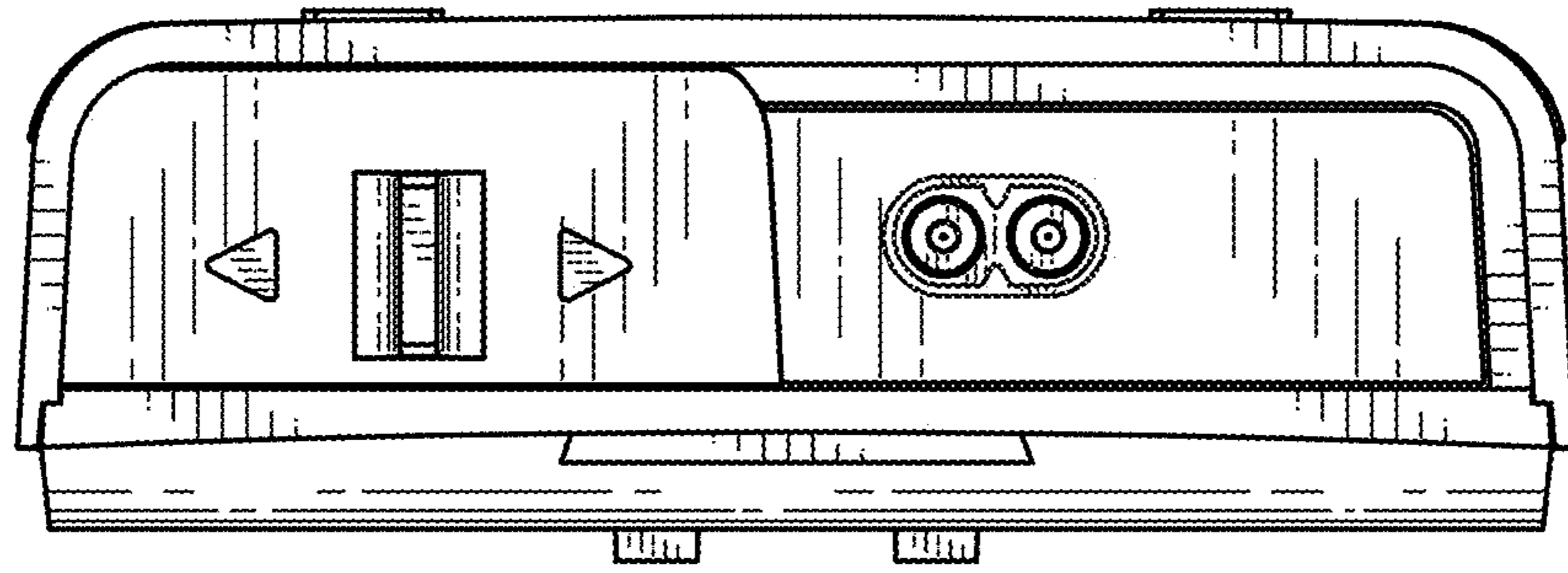


FIG. 4

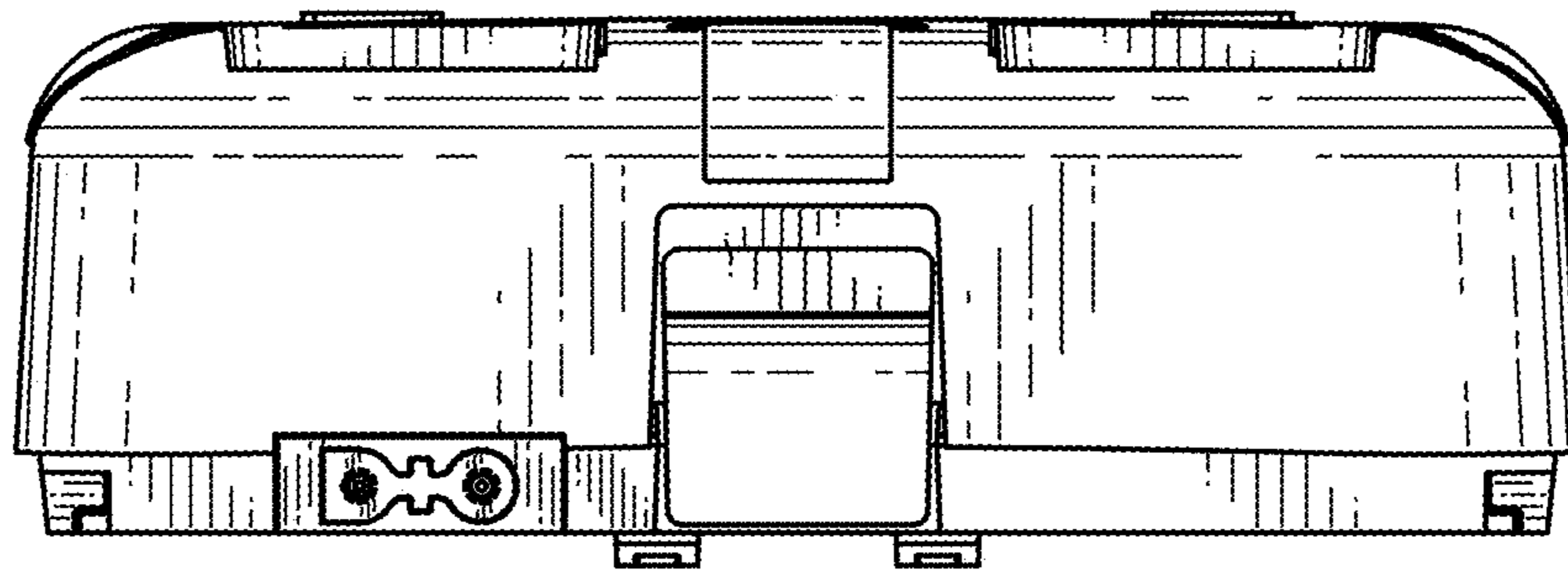


FIG. 5

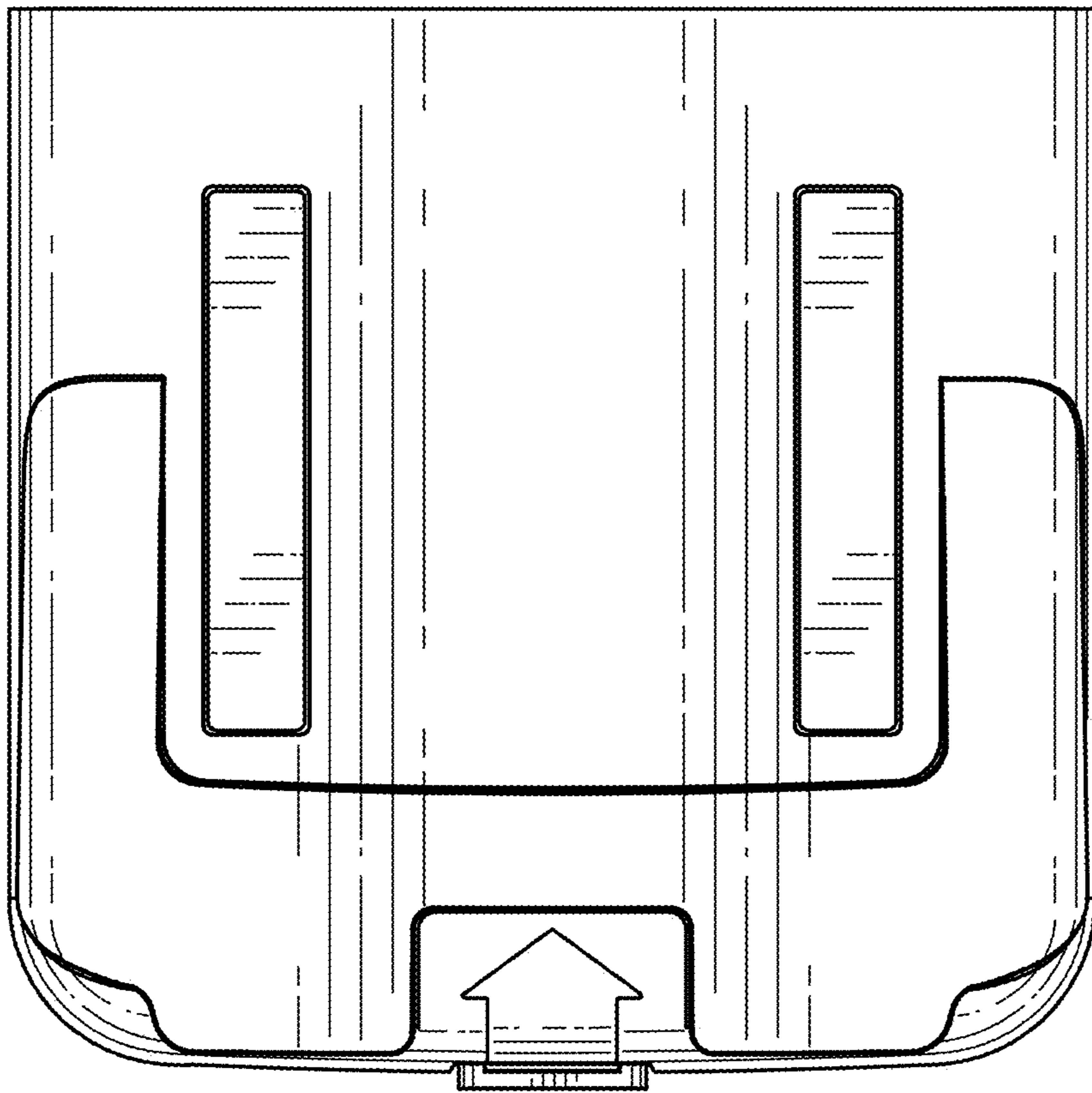


FIG. 6

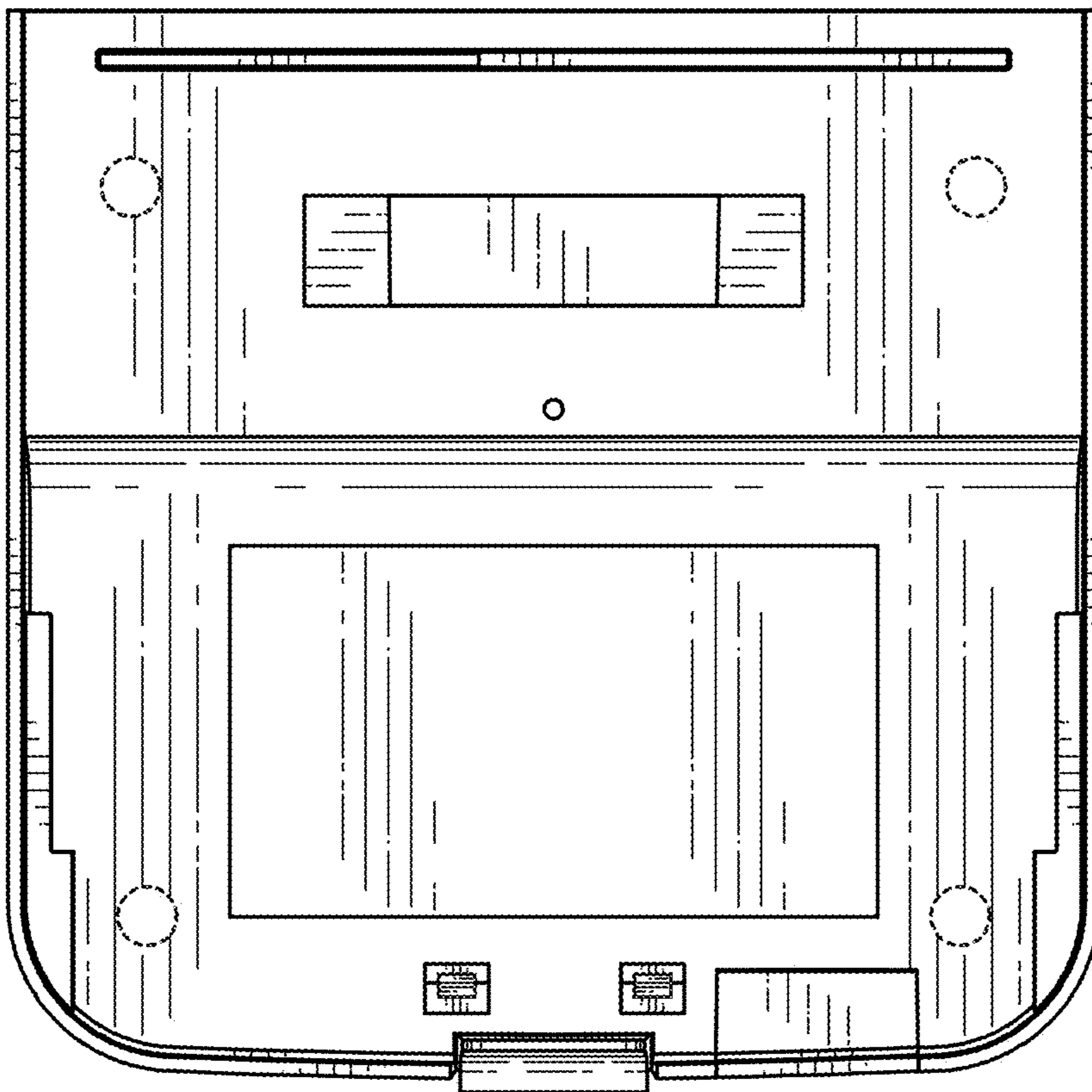


FIG. 7

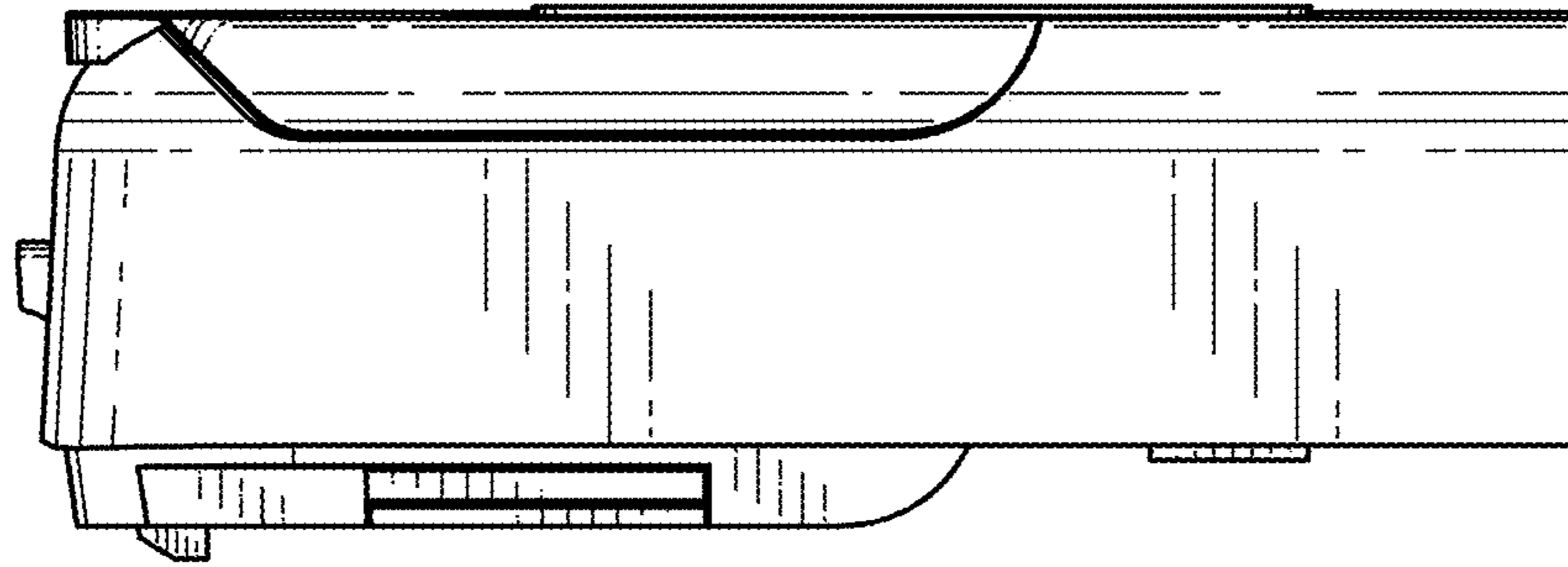


FIG. 8

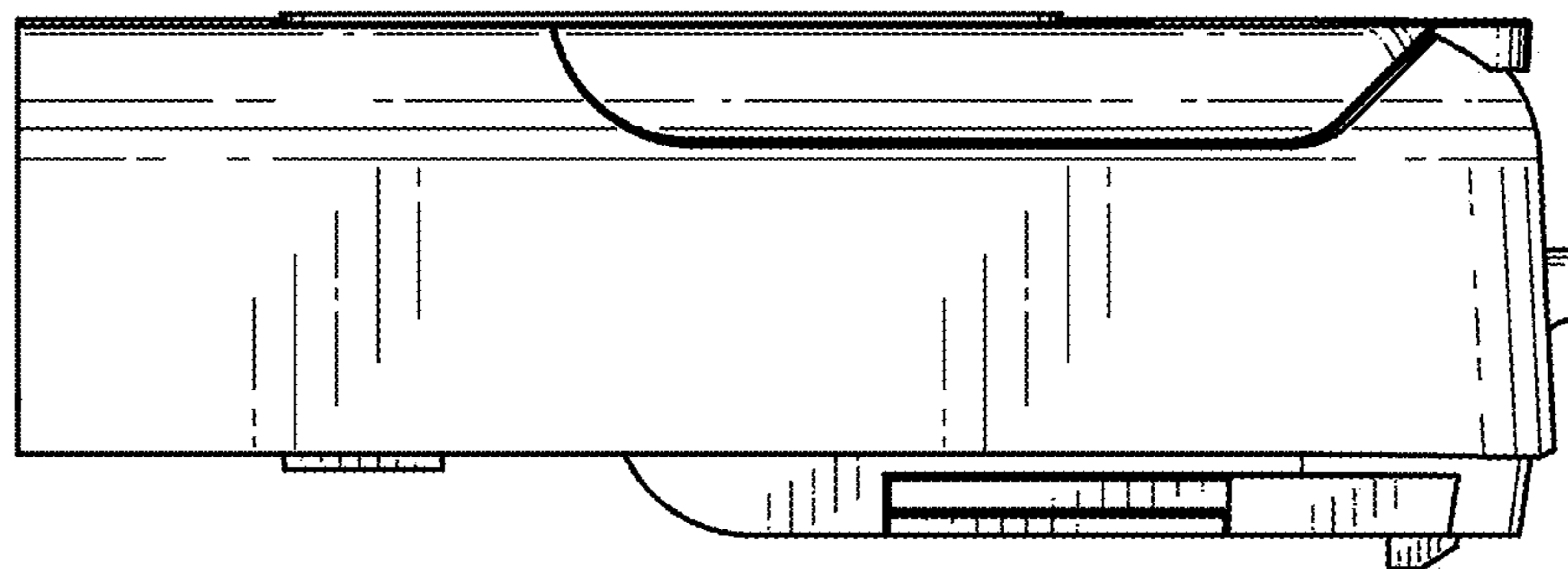


FIG. 9



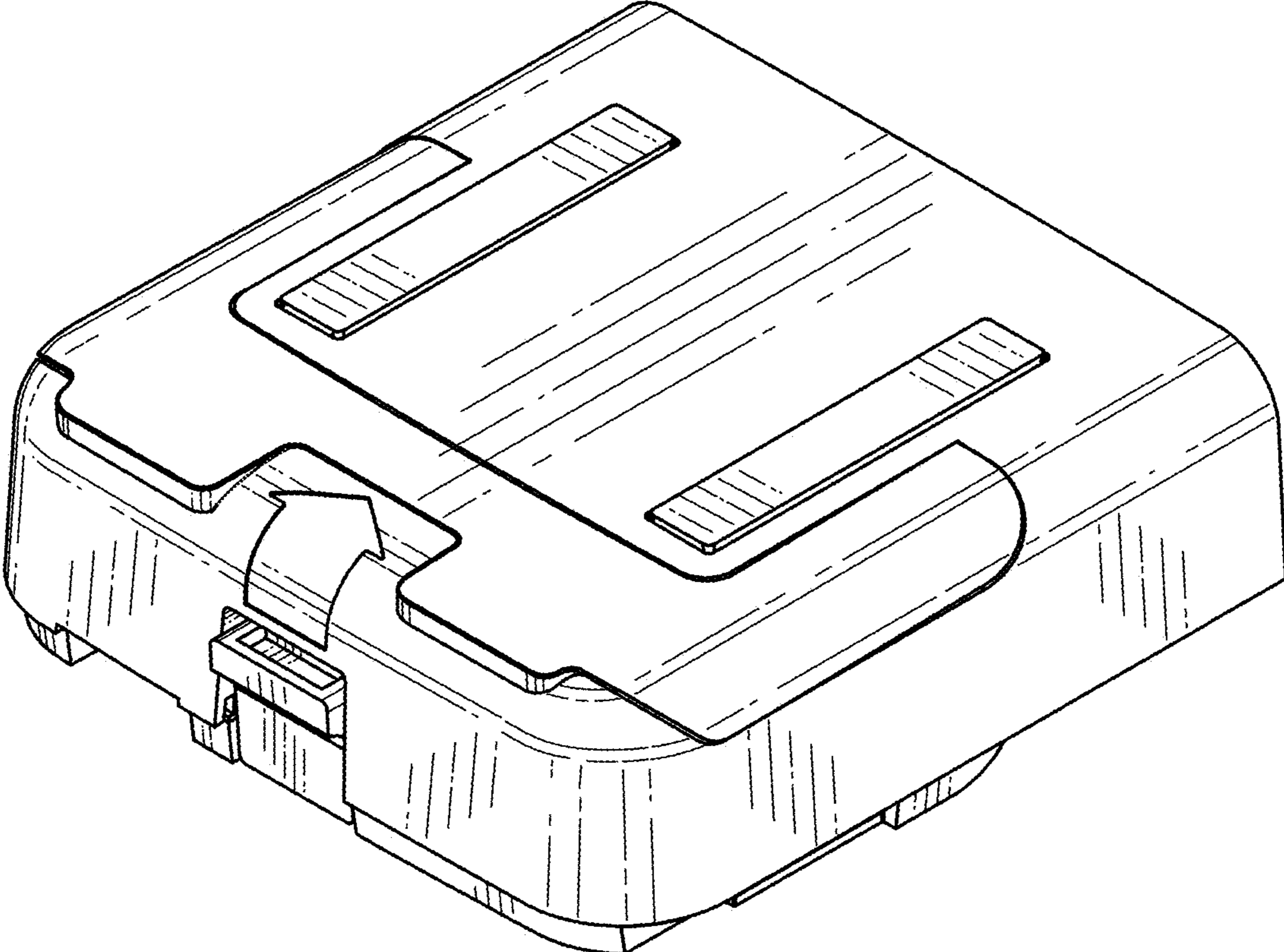


FIG. 10

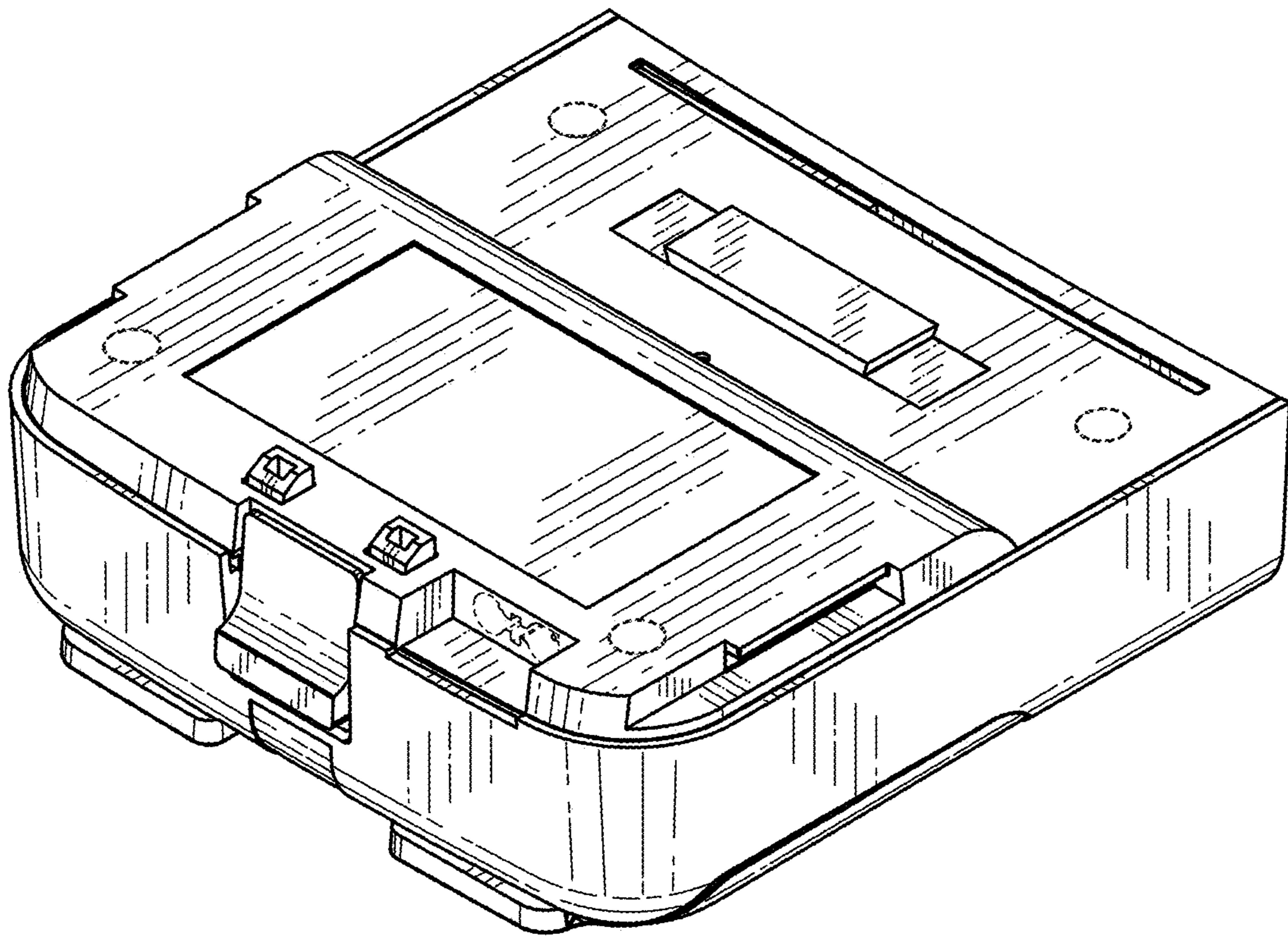


FIG. 11

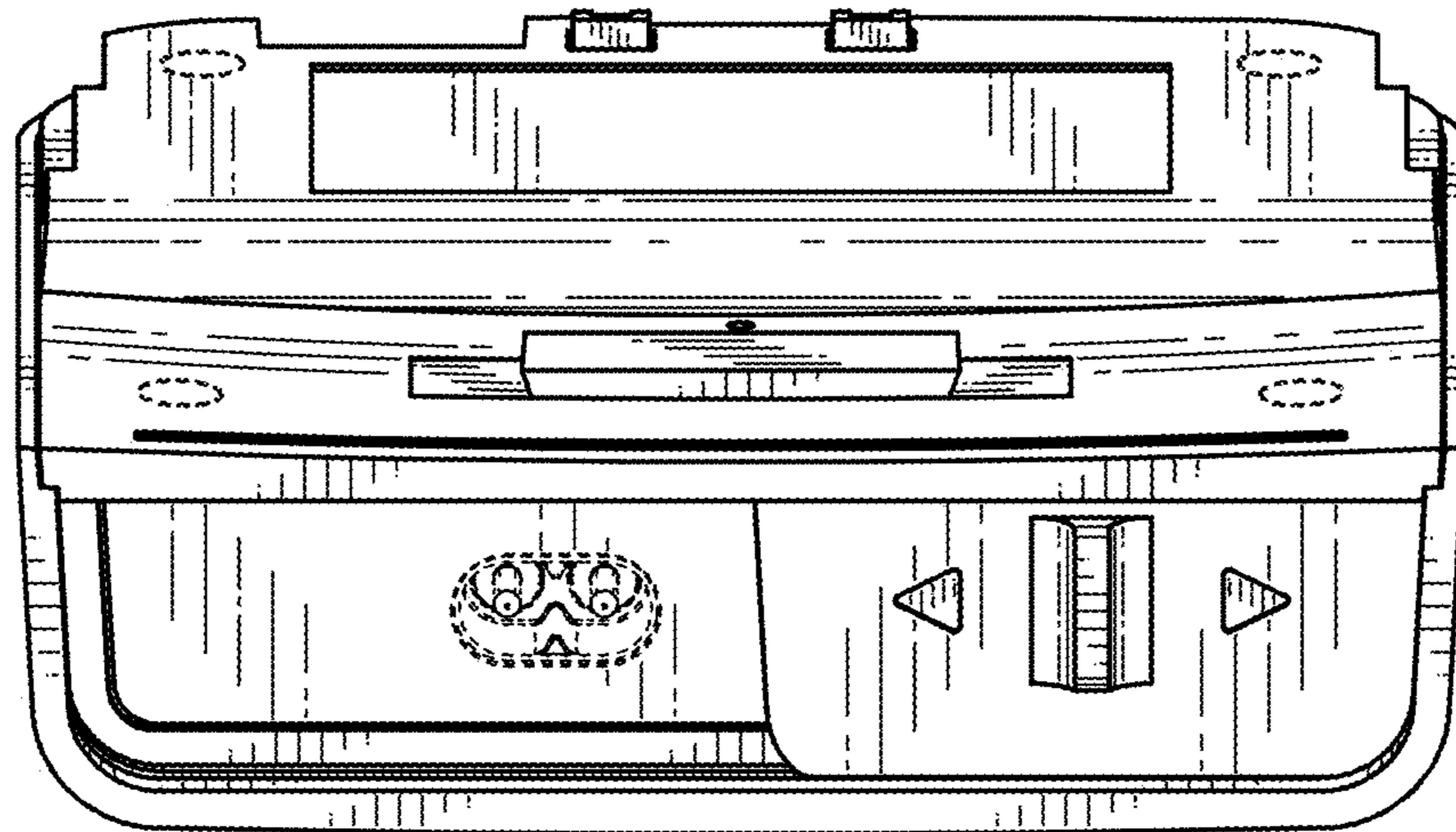


FIG. 12

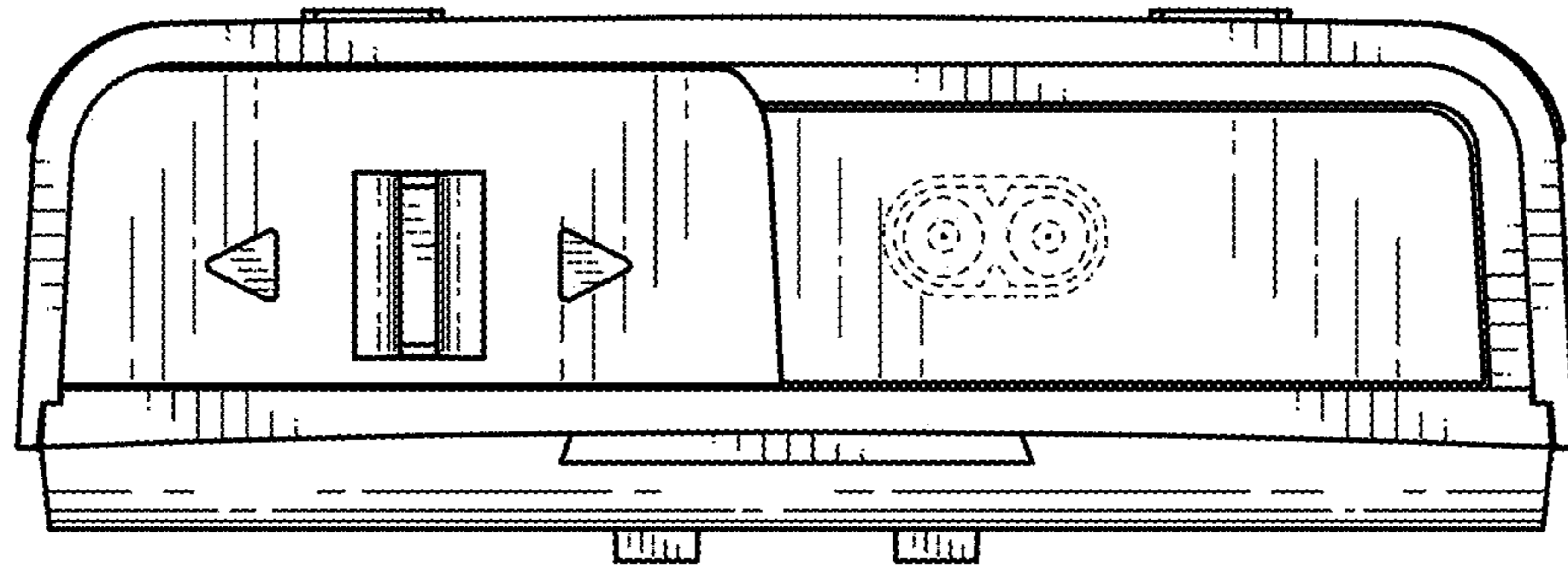


FIG. 13

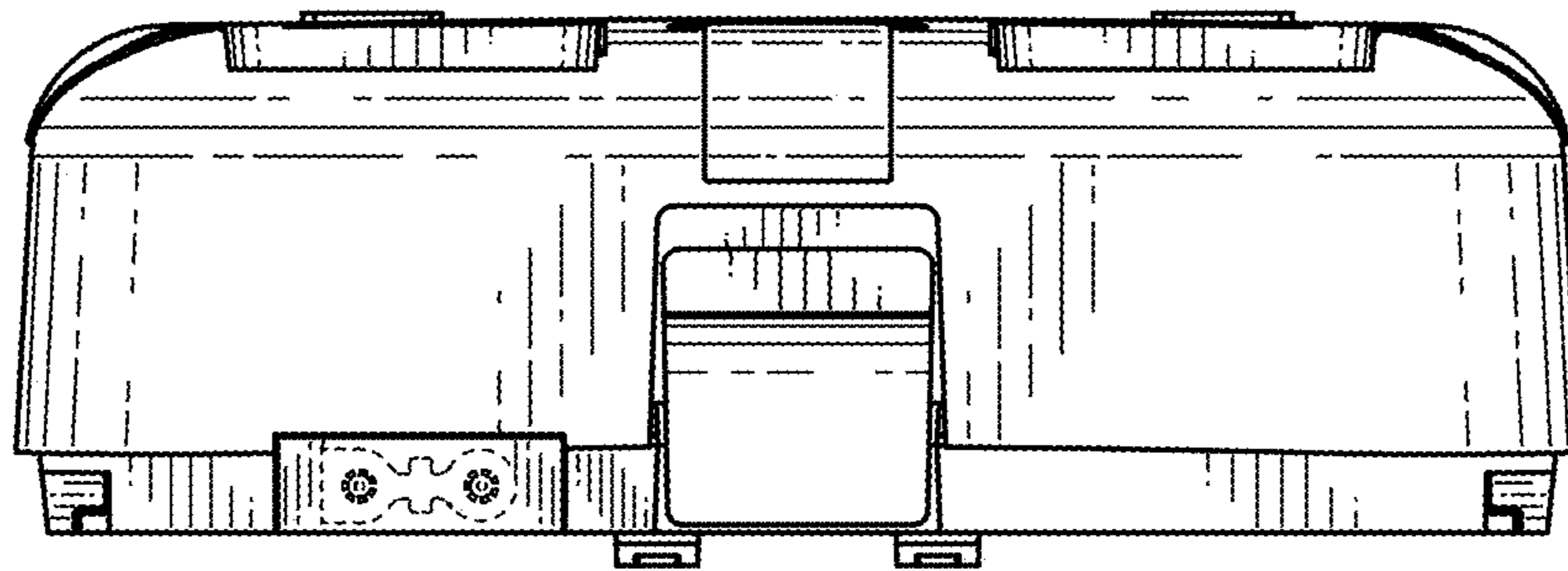


FIG. 14

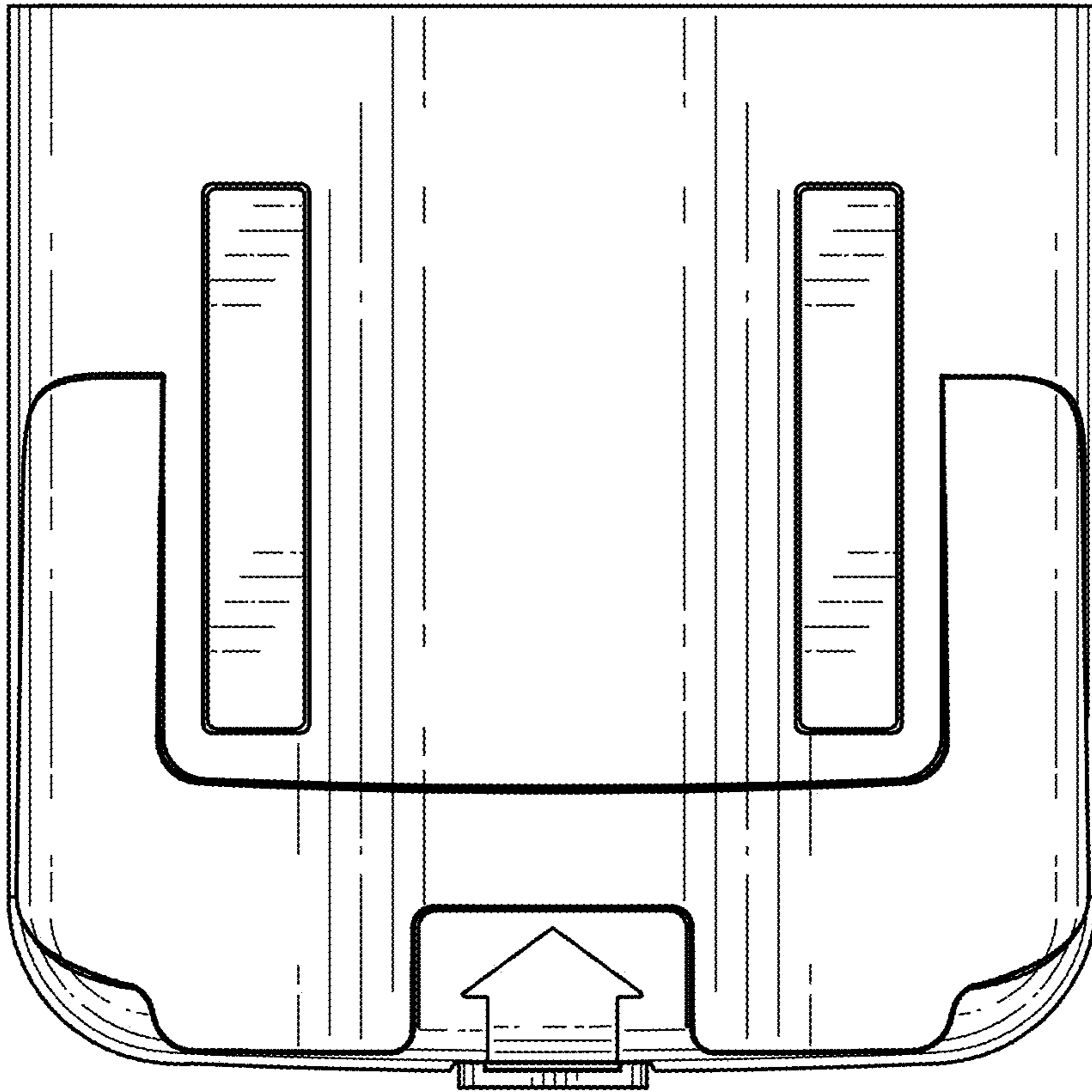


FIG. 15

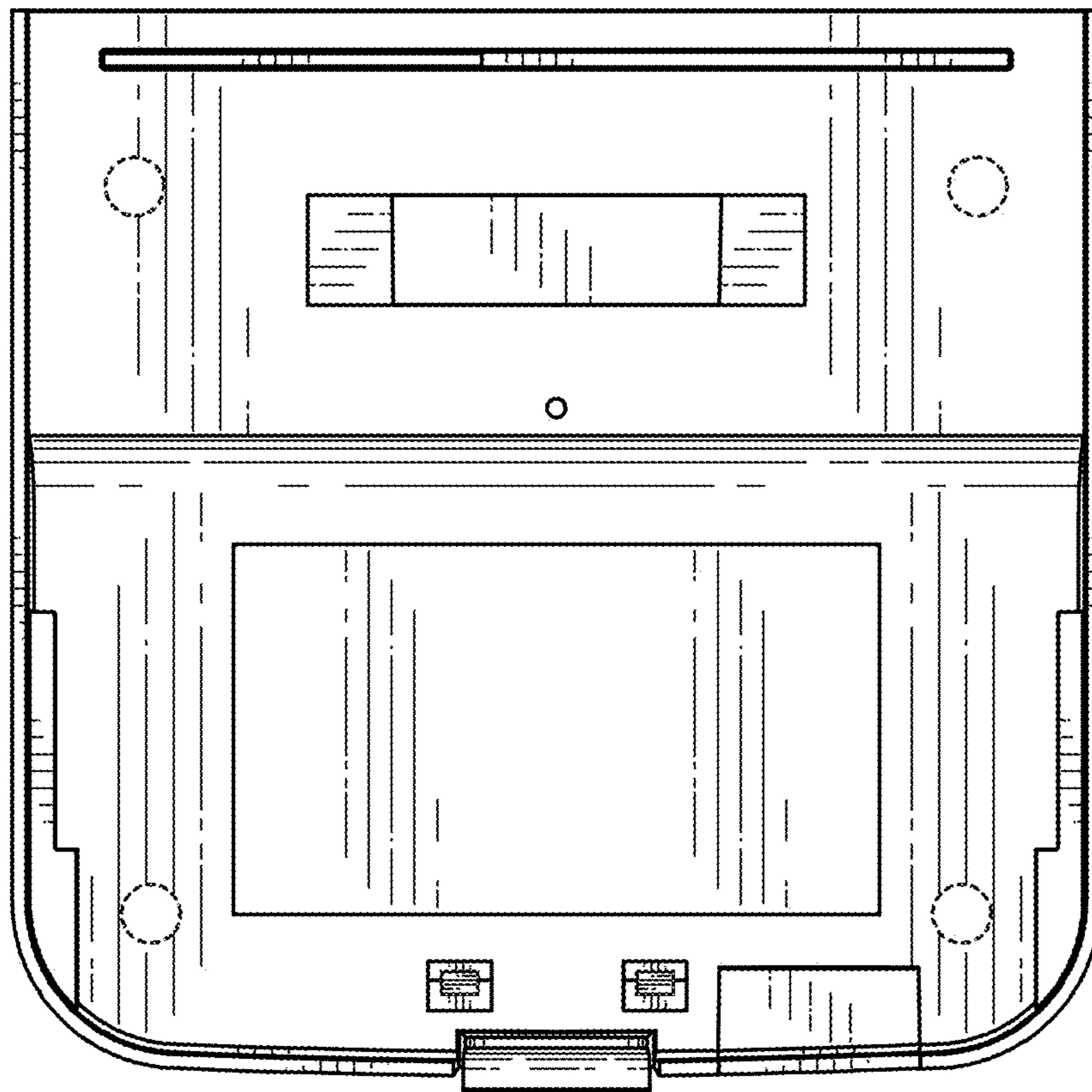


FIG. 16

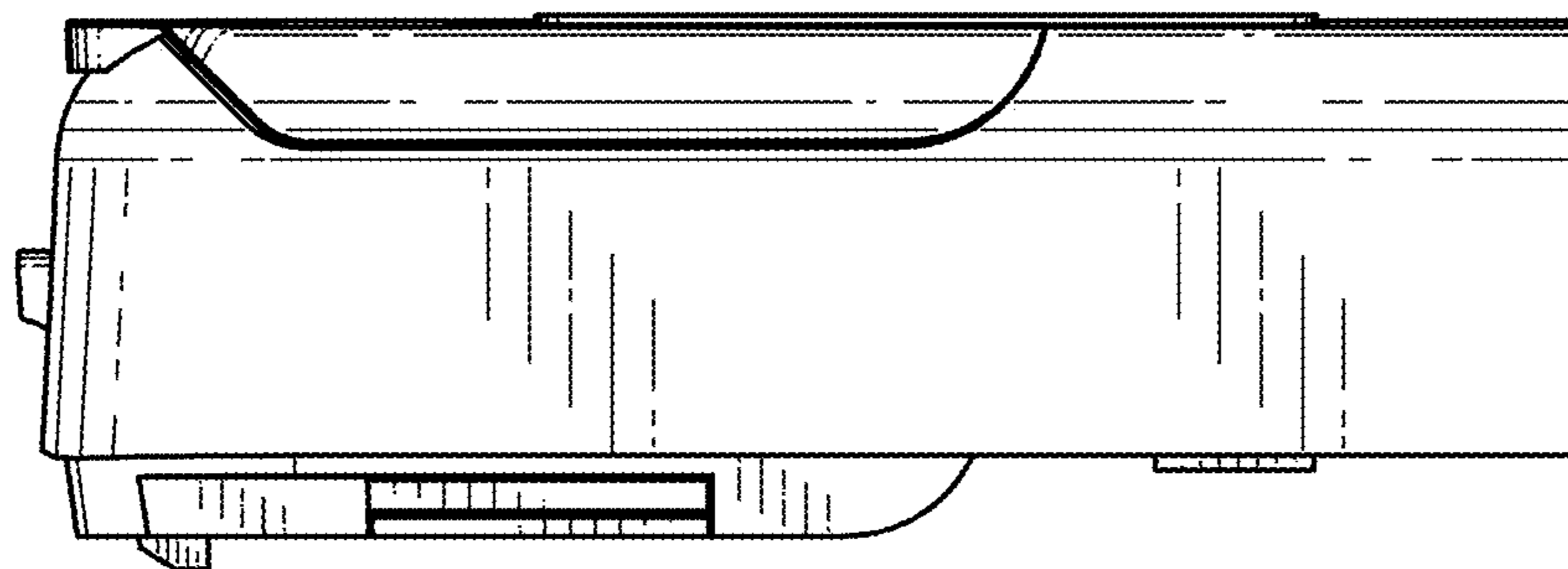


FIG. 17

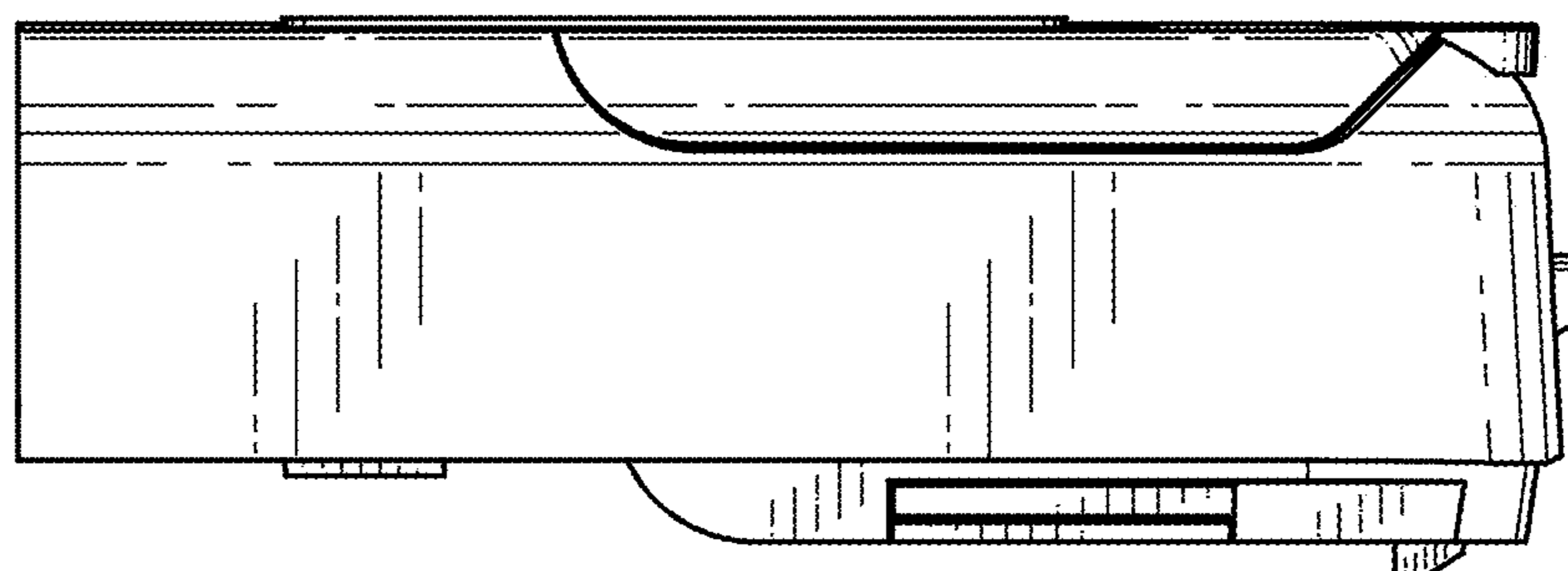


FIG. 18