



US00D966176S

(12) **United States Design Patent** (10) **Patent No.:** **US D966,176 S**  
**Dretzka et al.** (45) **Date of Patent:** **\*\* Oct. 11, 2022**

(54) **WHEEL**

(71) Applicant: **THE TORO COMPANY**,  
Bloomington, MN (US)  
(72) Inventors: **Philip C. Dretzka**, Woodbury, MN  
(US); **Aaron Y. Curtis**, Eagan, MN  
(US); **Khari S. Clarke**, Minneapolis,  
MN (US); **Aaron A. Hernandez**,  
Austin, TX (US); **Daniel A. Phipps**,  
Round Rock, TX (US)

5,727,372 A 3/1998 Kanitz et al.  
D405,041 S 2/1999 Bidwell et al.  
D414,724 S 10/1999 Lu  
D419,930 S 2/2000 Zoller et al.  
6,139,116 A 10/2000 Pruden  
D451,104 S 11/2001 Halstead  
D466,962 S 12/2002 Chen  
D470,452 S \* 2/2003 Flood ..... D12/501  
D491,132 S 6/2004 Brown et al.  
D497,590 S 10/2004 Brown et al.  
D523,805 S 6/2006 Martin  
D530,726 S 10/2006 Martin  
(Continued)

(73) Assignee: **THE TORO COMPANY**,  
Bloomington, MN (US)

(\*\*) Term: **15 Years**

(21) Appl. No.: **29/729,562**

(22) Filed: **Mar. 27, 2020**

(51) **LOC (13) Cl.** ..... **12-15**

(52) **U.S. Cl.**  
USPC ..... **D12/501; D15/17**

(58) **Field of Classification Search**  
USPC ..... D12/500-532, 604; D15/17; D32/31  
CPC ..... Y10T 152/10027; B60C 1/0016; B60C  
11/0306; B60C 11/0302; B60C 3/06;  
B60C 9/17  
See application file for complete search history.

(56) **References Cited**

**U.S. PATENT DOCUMENTS**

D168,714 S 1/1953 Schlichtmann  
D172,240 S 5/1954 Mason  
D225,989 S 1/1973 Chadwick  
D276,047 S 10/1984 Sasaki  
D285,949 S 9/1986 Thomson et al.  
5,044,411 A 9/1991 Doll  
D325,011 S 3/1992 Markling  
D328,053 S 7/1992 Markling  
D390,576 S 2/1998 Shimamura

**OTHER PUBLICATIONS**

“Tondeuses a conducteur accompagnant et outils a main,” brochure,  
The Toro Company, 2004, Imprime No. #200-2269.  
(Continued)

*Primary Examiner* — John A Voytek  
(74) *Attorney, Agent, or Firm* — Mueting Raasch Group

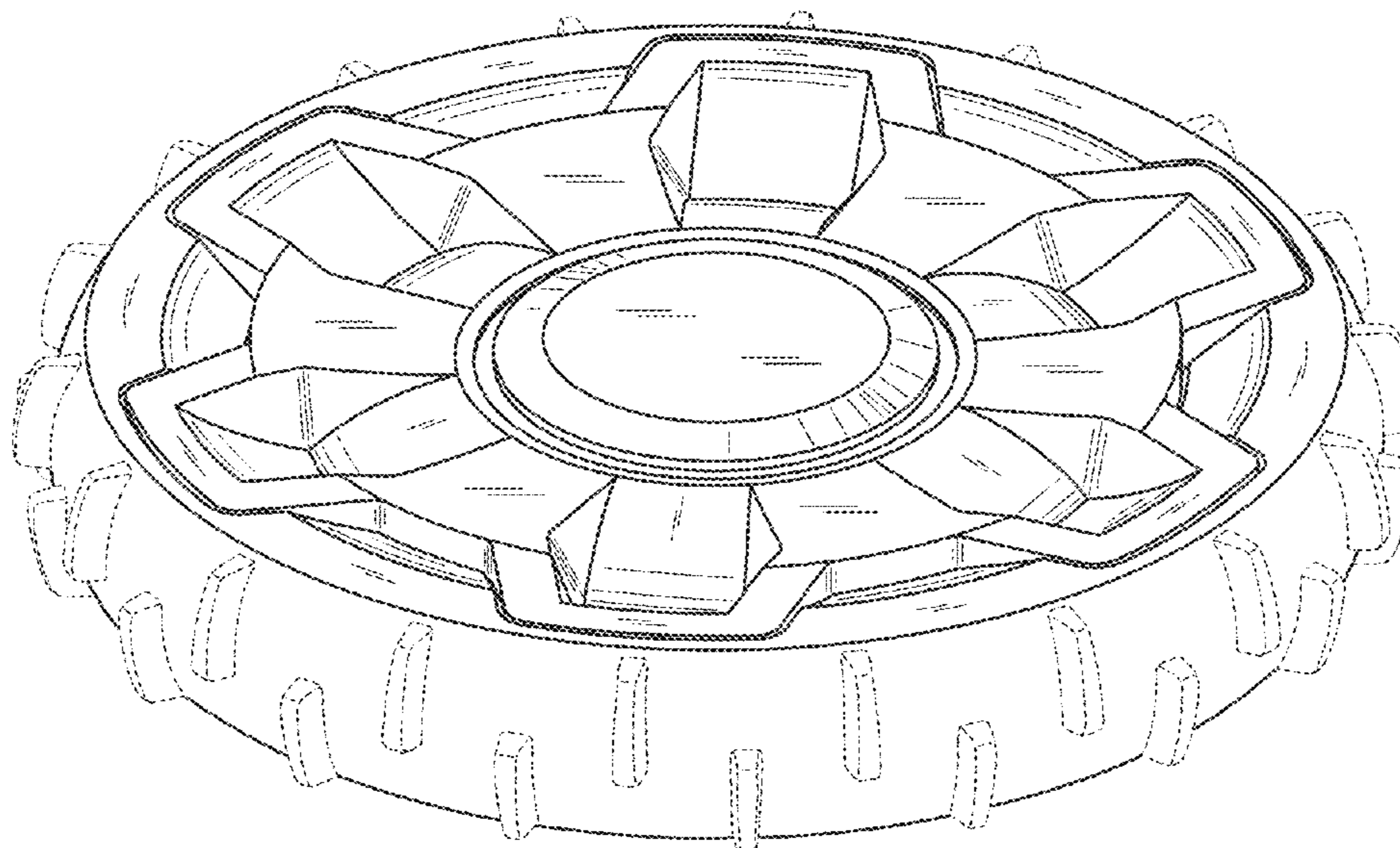
(57) **CLAIM**

The ornamental design for a wheel, as shown and described.

**DESCRIPTION**

FIG. 1 is a left front perspective view of a wheel in accordance with the claimed design; FIG. 2 is a front elevation view of the design of FIG. 1; FIG. 3 is a rear elevation view of the design of FIG. 1; and, FIG. 4 is a side elevation view of the design of FIG. 1. The dash-dash broken lines in the figures represent unclaimed subject matter and form no part of the claimed design. The dot-dash broken lines in the figures immediately adjacent solid lines represent a boundary between claimed and unclaimed subject matter and form no part of the claimed design.

**1 Claim, 4 Drawing Sheets**



(56)

**References Cited**

## U.S. PATENT DOCUMENTS

D632,044 S \* 2/2011 Morris ..... D34/27  
D702,411 S \* 4/2014 Bromm ..... D34/10  
D782,391 S \* 3/2017 Schaedler ..... B60C 7/18  
D12/501  
D882,640 S \* 4/2020 Estey ..... D15/17  
D899,348 S \* 10/2020 Shi ..... D12/501  
10,899,169 B2 \* 1/2021 Schaedler ..... B60C 7/24  
D927,406 S \* 8/2021 Alexander ..... D12/501  
D927,407 S \* 8/2021 Alexander ..... D12/501  
D943,638 S \* 2/2022 Rauch ..... D15/17

## OTHER PUBLICATIONS

John Deere Product Manuals, "Operator's Manual," OMGC00551, Issue D1,21-Inch Walk-Behind Rotary Mowers, JS60H, PIN (100001-1) [Online]. [retrieved on Jan. 26, 2005]. Retrieved from the Internet: URL: [manuals.deere.com/cceomview/OMGC00551\\_DI/Output/gc00551d17.html#59489](http://manuals.deere.com/cceomview/OMGC00551_DI/Output/gc00551d17.html#59489); 8 pgs.

Exhibit A, enlarged representations of a first mower wheel used on Toro mowers illustrated in the accompanying "Tondeuses a conducteur accompagnant et outils a main" brochure, (mower incorporating this wheel available in Europe prior to 2002).

Exhibit B, enlarged representations of a second mower wheel used on European Toro mowers illustrated in the accompanying "Tondeuses a conducteur accompagnant et outils a main" brochure, (mower incorporating this wheel available in Europe prior to 2002).

\* cited by examiner

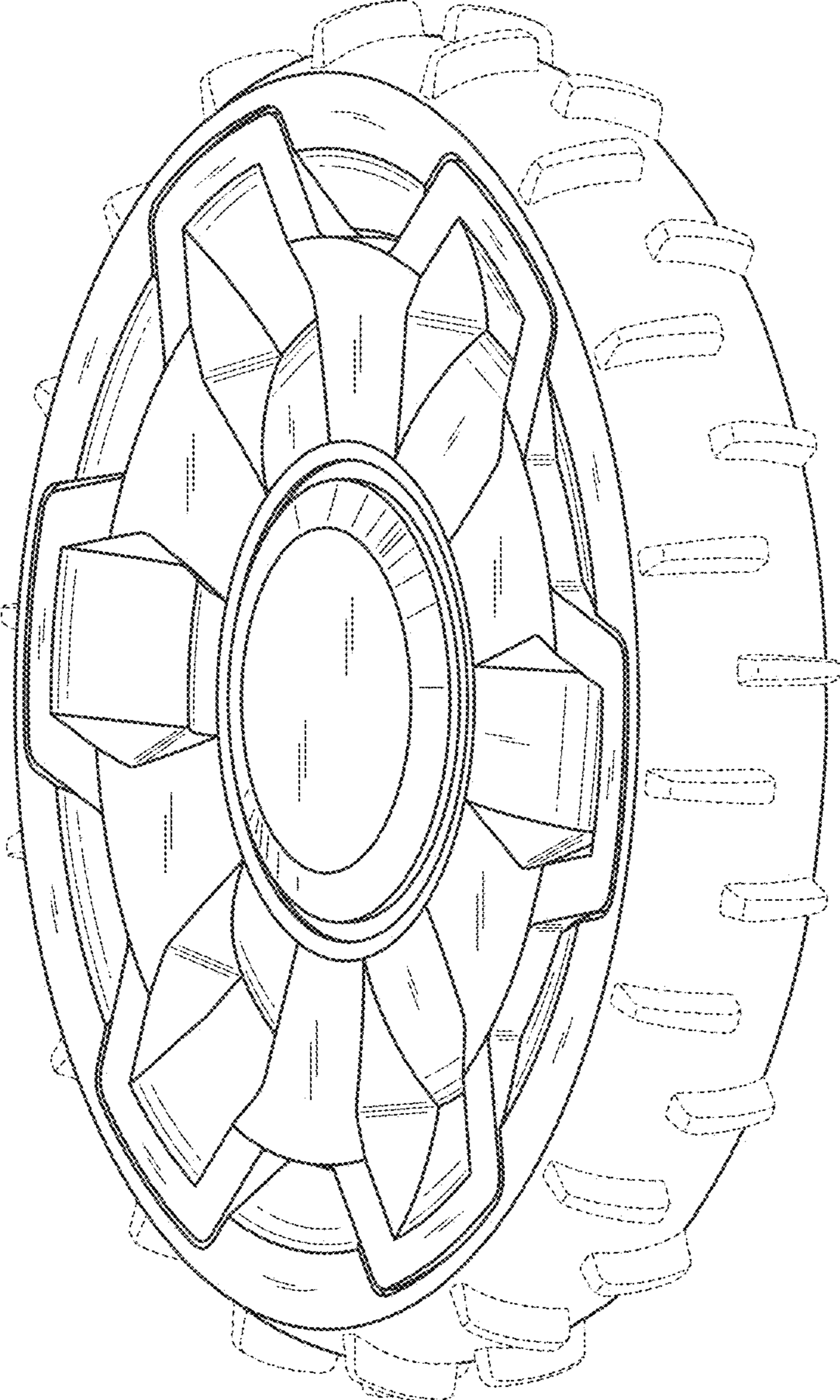


FIG. 1

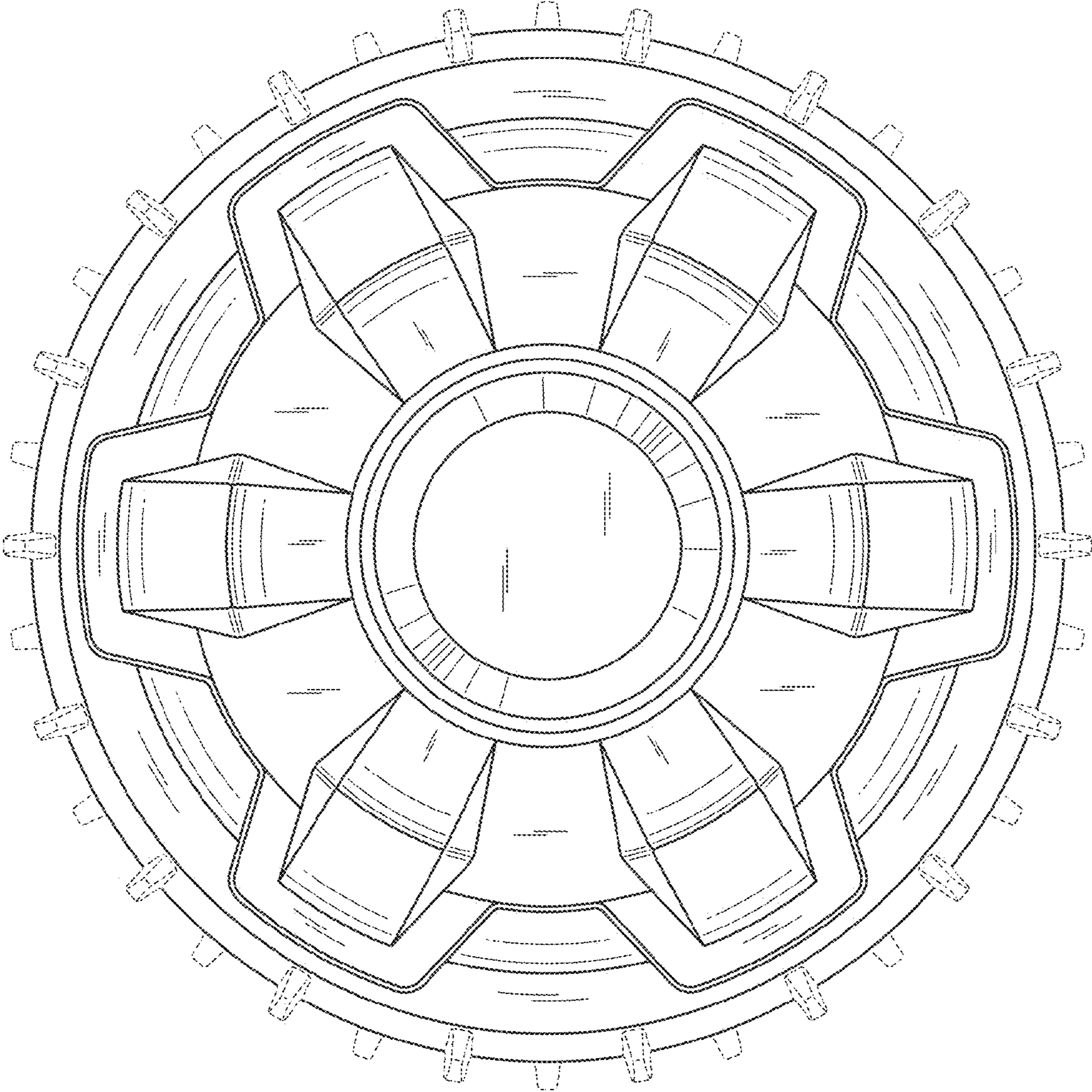


FIG. 2

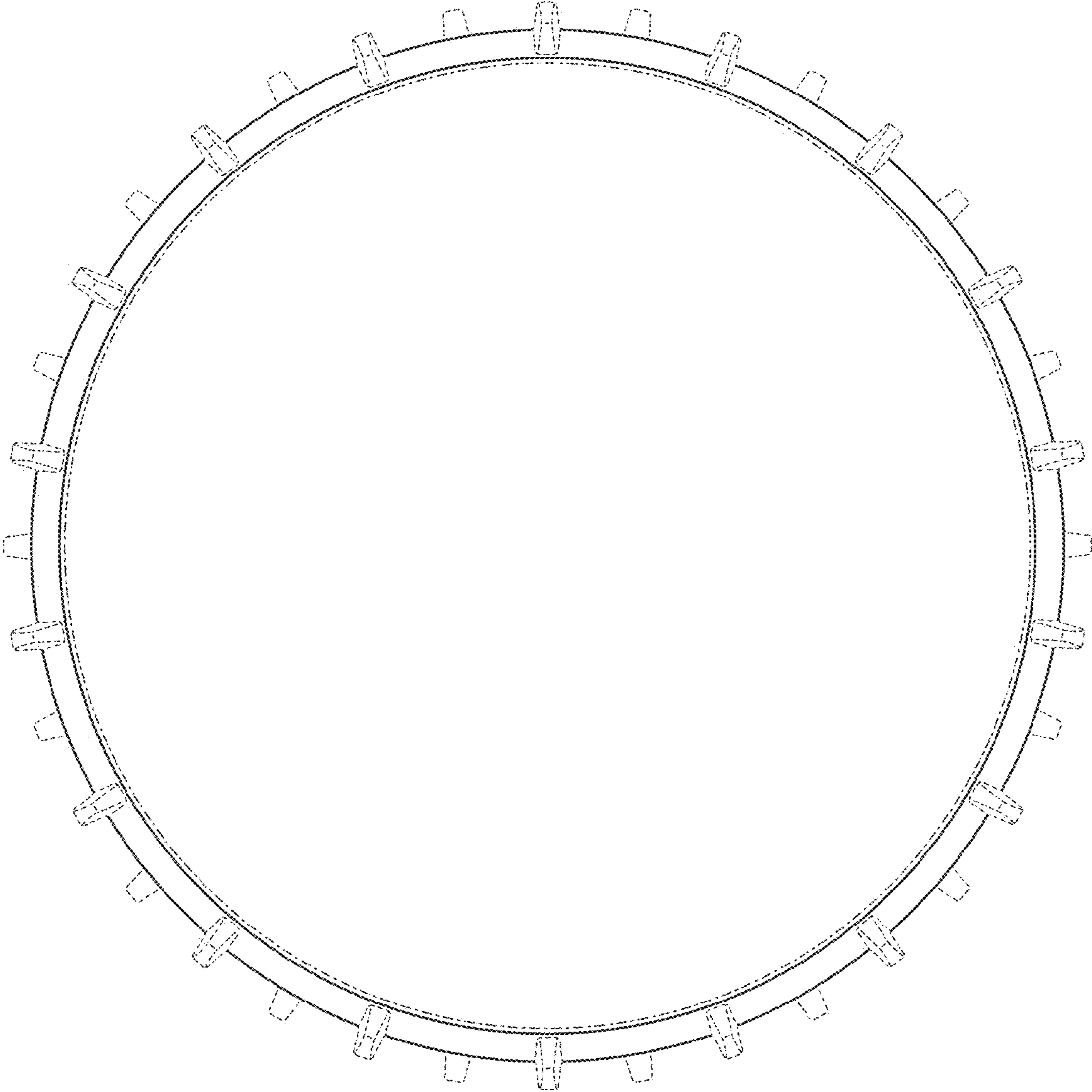
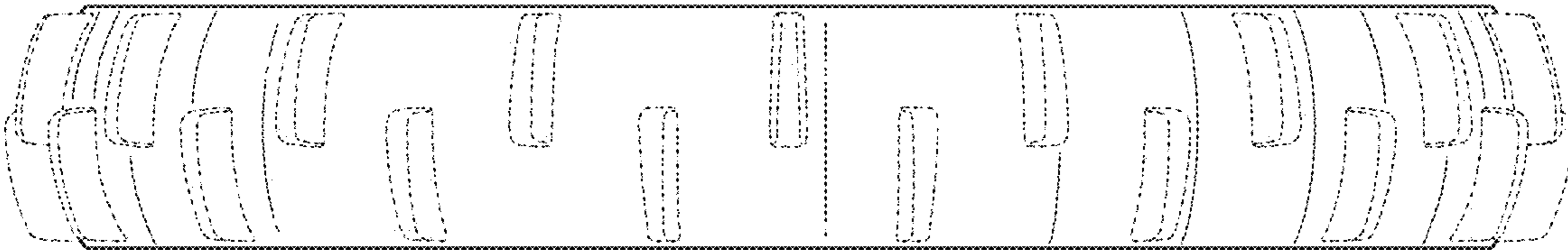


FIG. 3



**FIG. 4**