



US00D966175S

(12) **United States Design Patent**
Han

(10) **Patent No.:** **US D966,175 S**
(45) **Date of Patent:** **** Oct. 11, 2022**

(54) **TWO-TIER VEHICLE CUP HOLDER**
(71) Applicant: **SEVEN SPARTA CORP.**, Richardson,
TX (US)
(72) Inventor: **Fei Han**, Guangdong (CN)
(73) Assignee: **SEVEN SPARTA CORP.**
(**) Term: **15 Years**

D937,754 S * 12/2021 Xu D12/419
D938,342 S * 12/2021 Yang D12/419
D940,050 S * 1/2022 Lai D12/419
D940,635 S * 1/2022 Yang D12/419
D940,636 S * 1/2022 Yang D12/419
D945,948 S * 3/2022 Yu D12/419
D945,949 S * 3/2022 Yu D7/624.2

* cited by examiner

Primary Examiner — Katrina A Betton

(21) Appl. No.: **29/815,244**
(22) Filed: **Nov. 12, 2021**
(51) **LOC (13) Cl.** **12-16**
(52) **U.S. Cl.**
USPC **D12/419**
(58) **Field of Classification Search**
USPC D12/415, 419; D7/620
CPC .. B60R 7/08; B60Q 3/225; B60Q 3/64; B60N
3/10
See application file for complete search history.

(57) **CLAIM**

The ornamental design for a two-tier vehicle cup holder, as shown and described.

DESCRIPTION

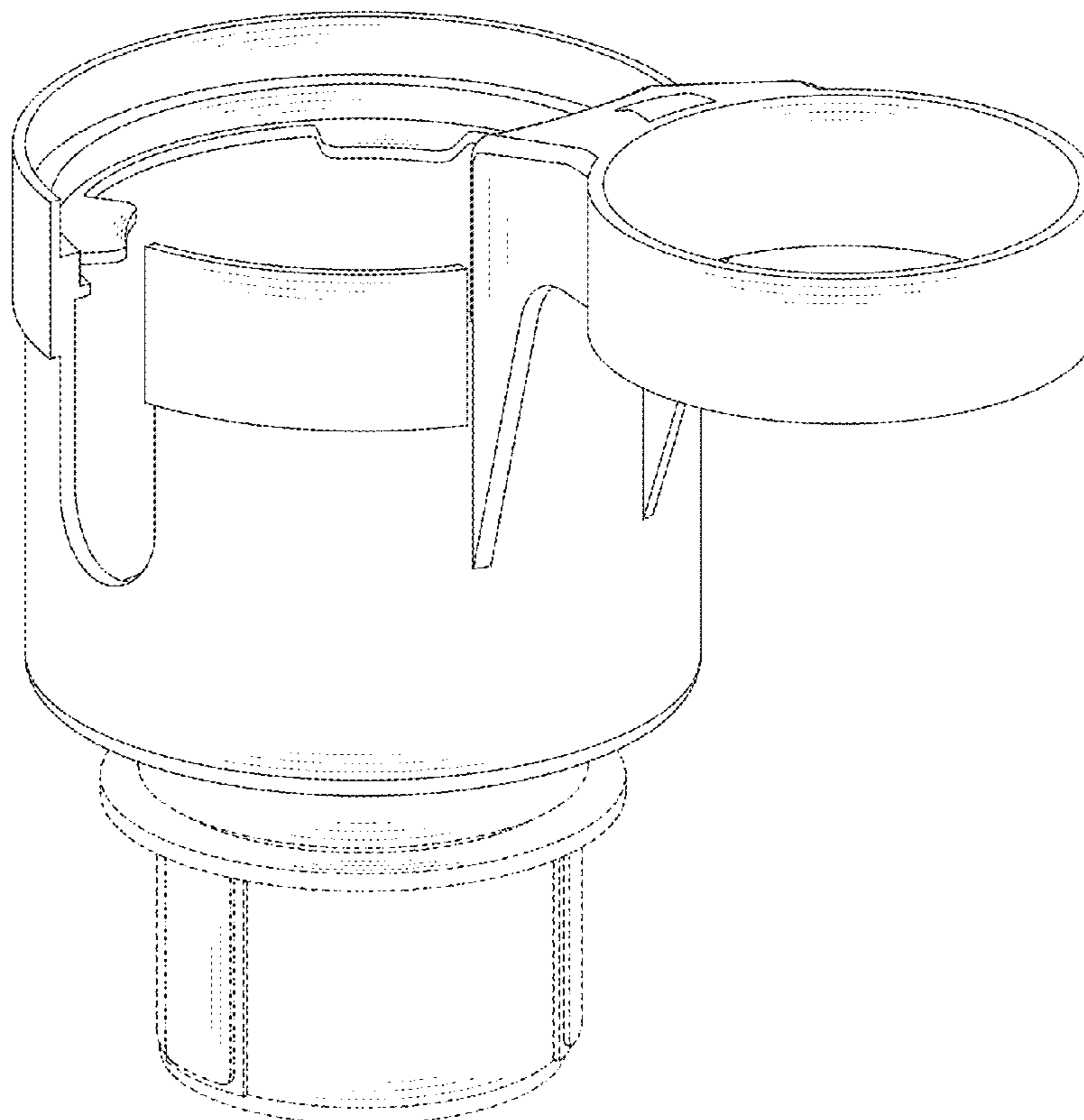
FIG. 1 is a perspective view of a two-tier vehicle cup holder showing my new design;
FIG. 2 is an alternative perspective view thereof;
FIG. 3 is a front view thereof;
FIG. 4 is a back view thereof;
FIG. 5 is a left side view thereof;
FIG. 6 is a right side view thereof;
FIG. 7 is a top plan view thereof; and,
FIG. 8 is a bottom plan view thereof.
The broken lines in the drawing depict environmental subject matter only and form no part of the claimed design.

(56) **References Cited**

U.S. PATENT DOCUMENTS

D610,353 S	2/2010	Cooney	
D714,594 S	10/2014	Blandl	
D868,674 S	* 12/2019	Lozier	D12/419
D877,045 S	* 3/2020	Johnson	D12/419
D877,046 S	* 3/2020	Park	D12/419
D906,229 S	* 12/2020	Han	D12/419
D913,201 S	* 3/2021	Jia	D12/419

1 Claim, 8 Drawing Sheets



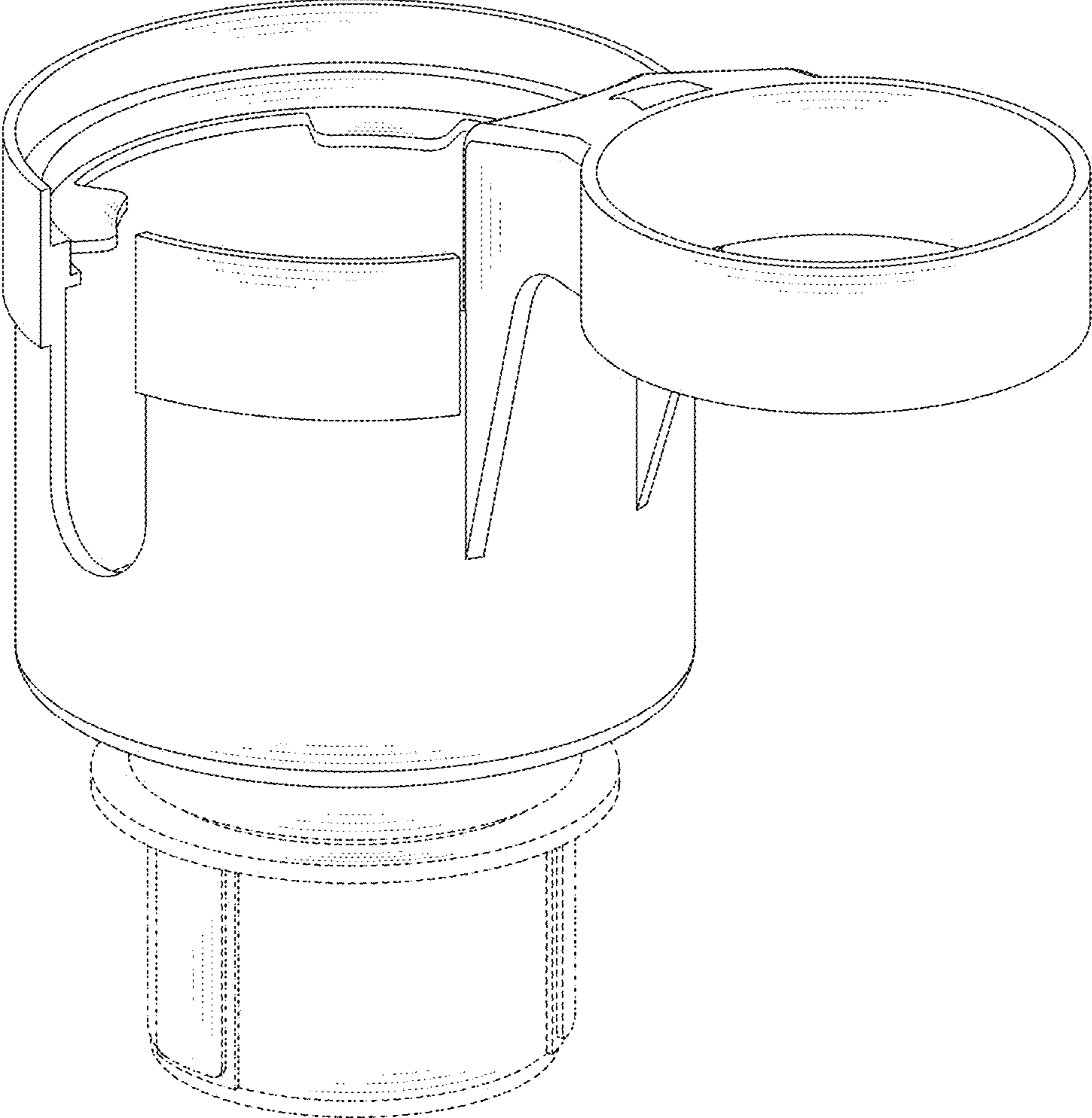


FIG. 1

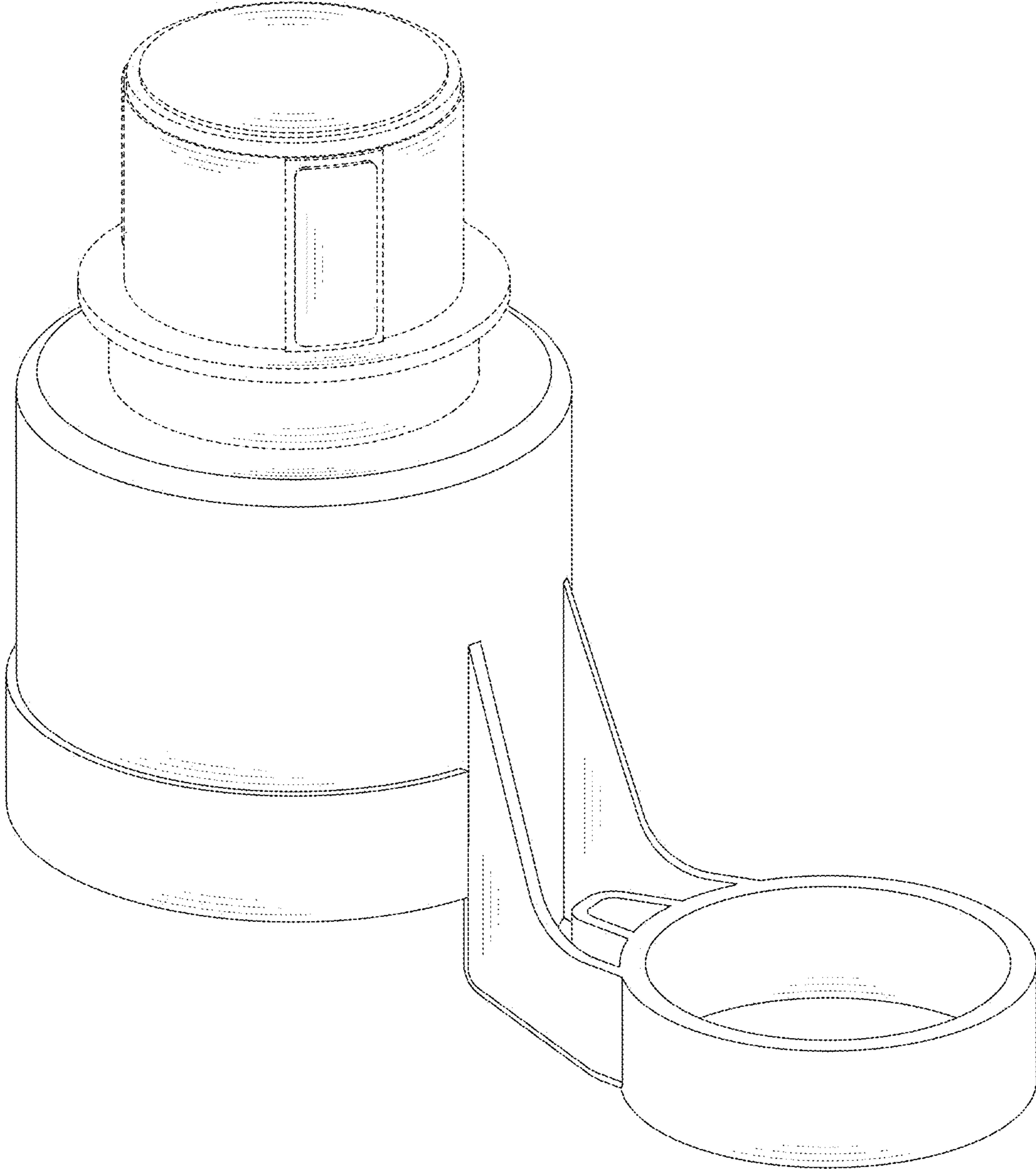


FIG. 2

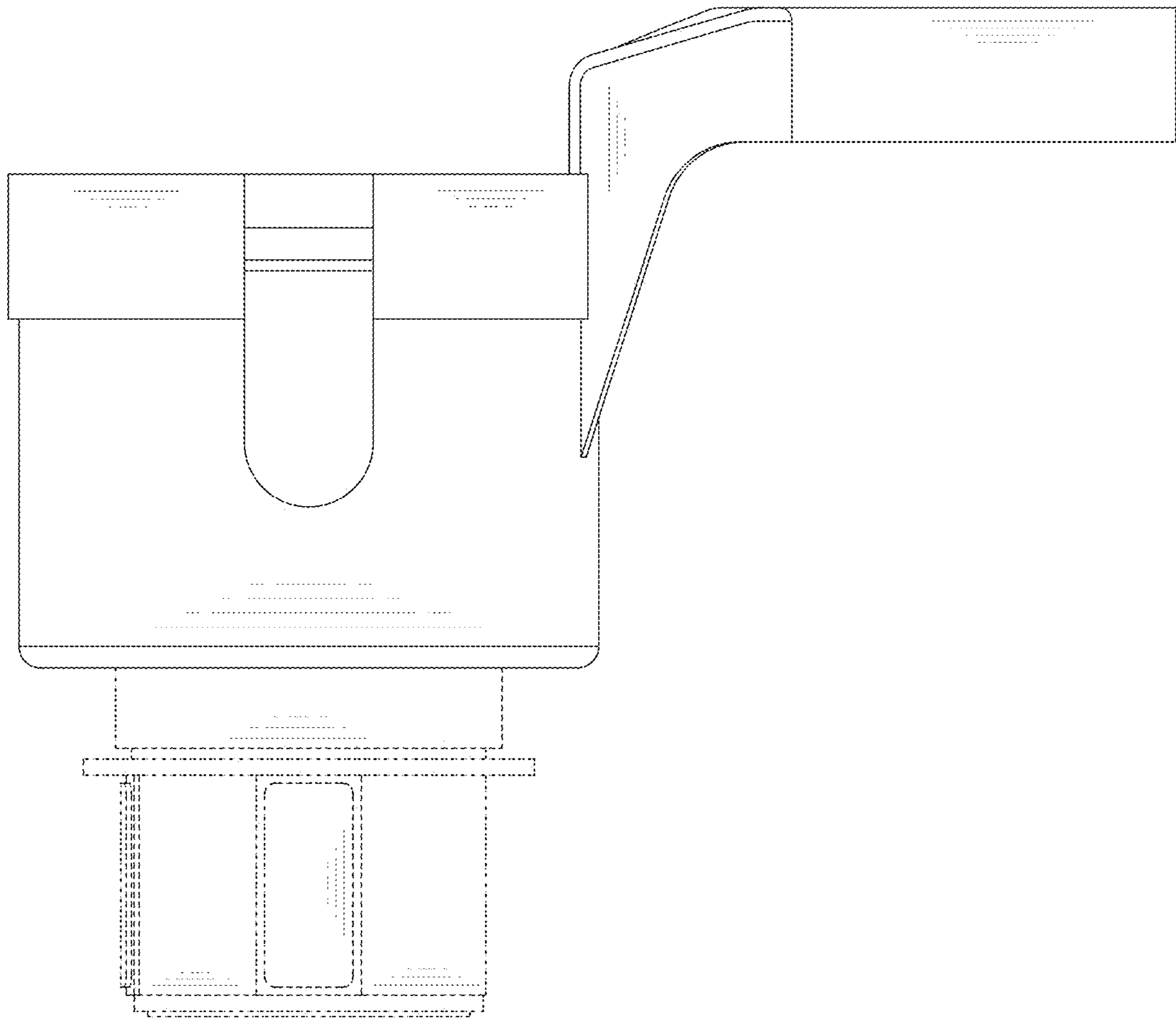


FIG. 3

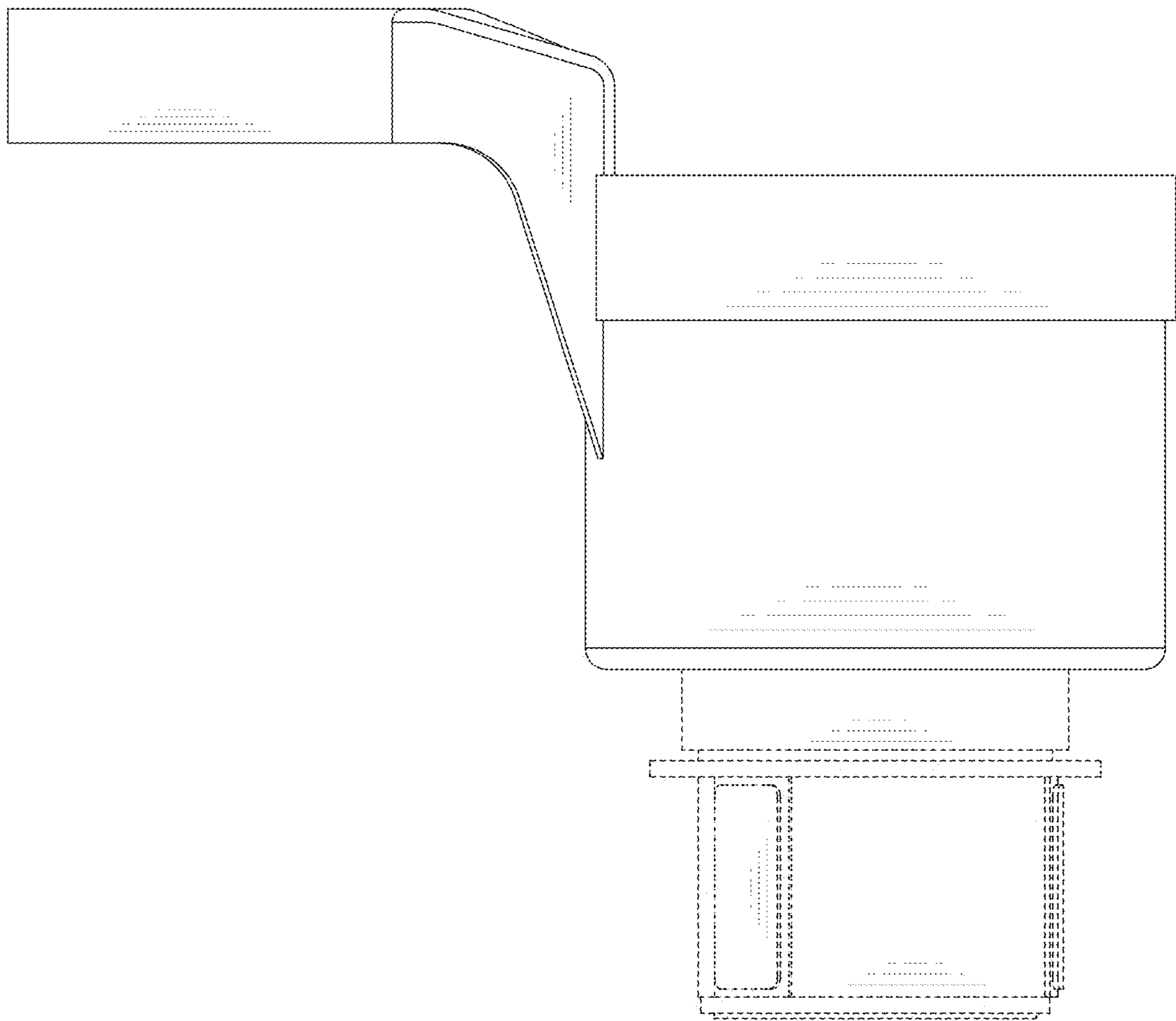


FIG. 4

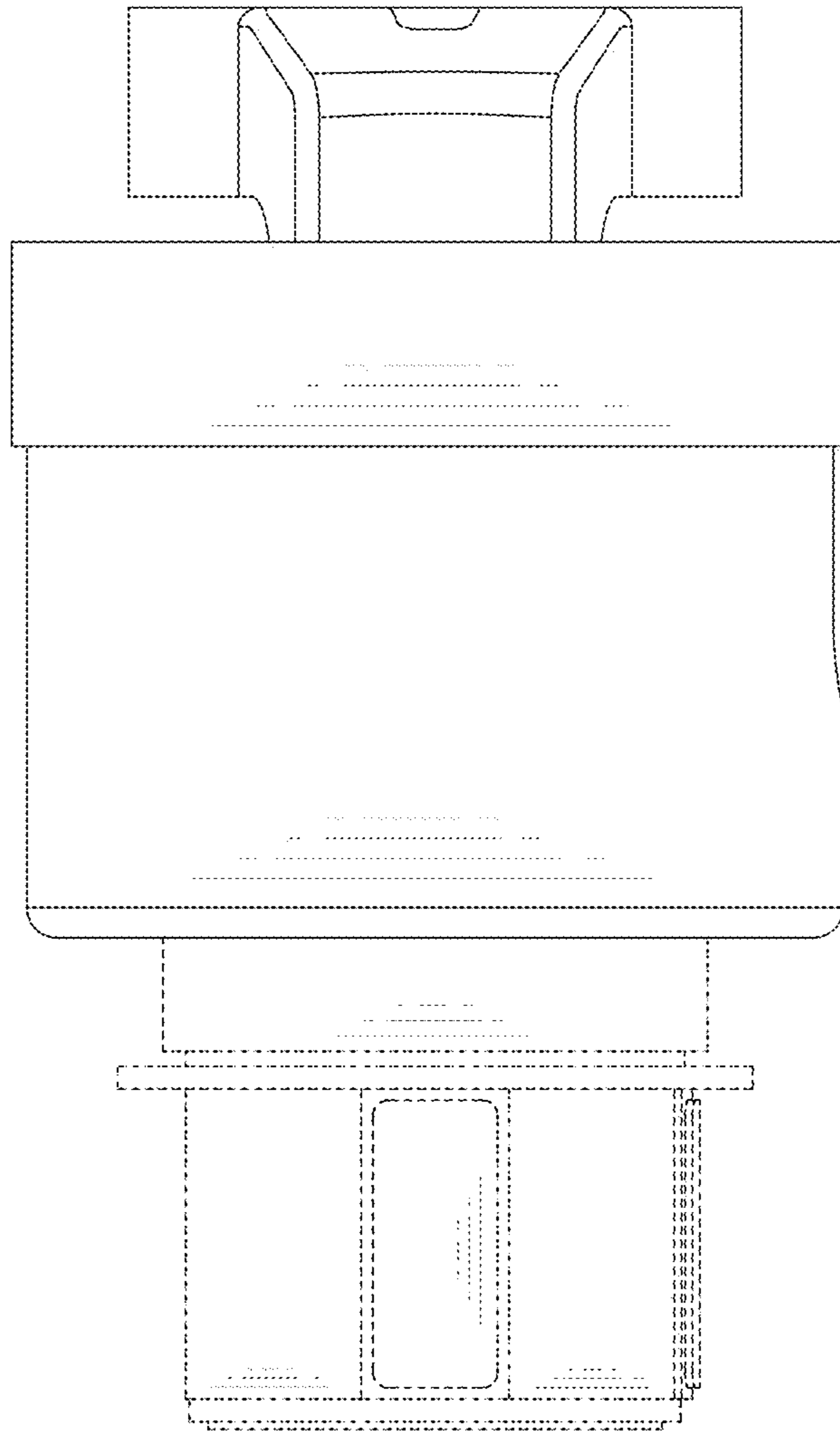


FIG. 5

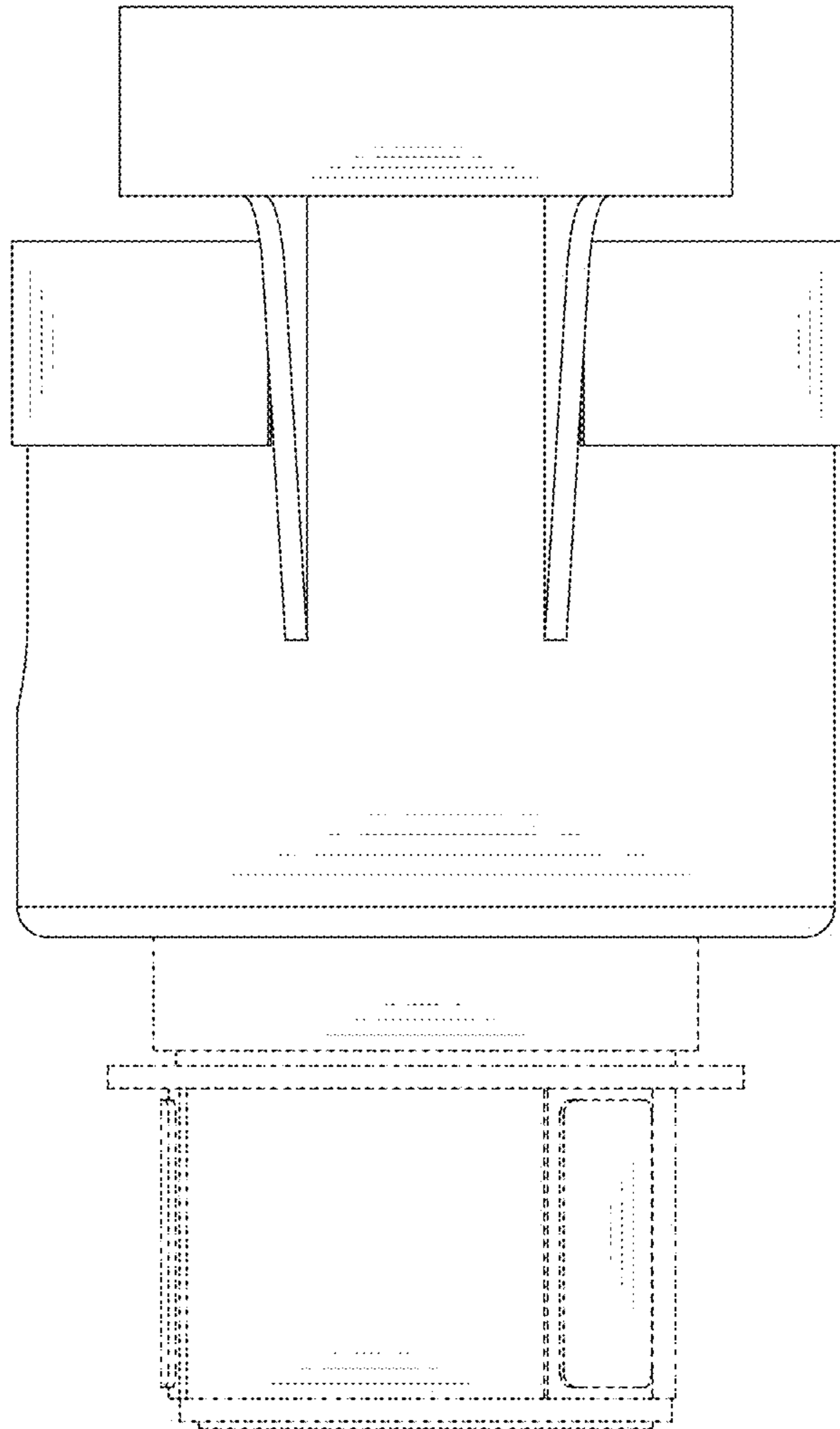


FIG. 6

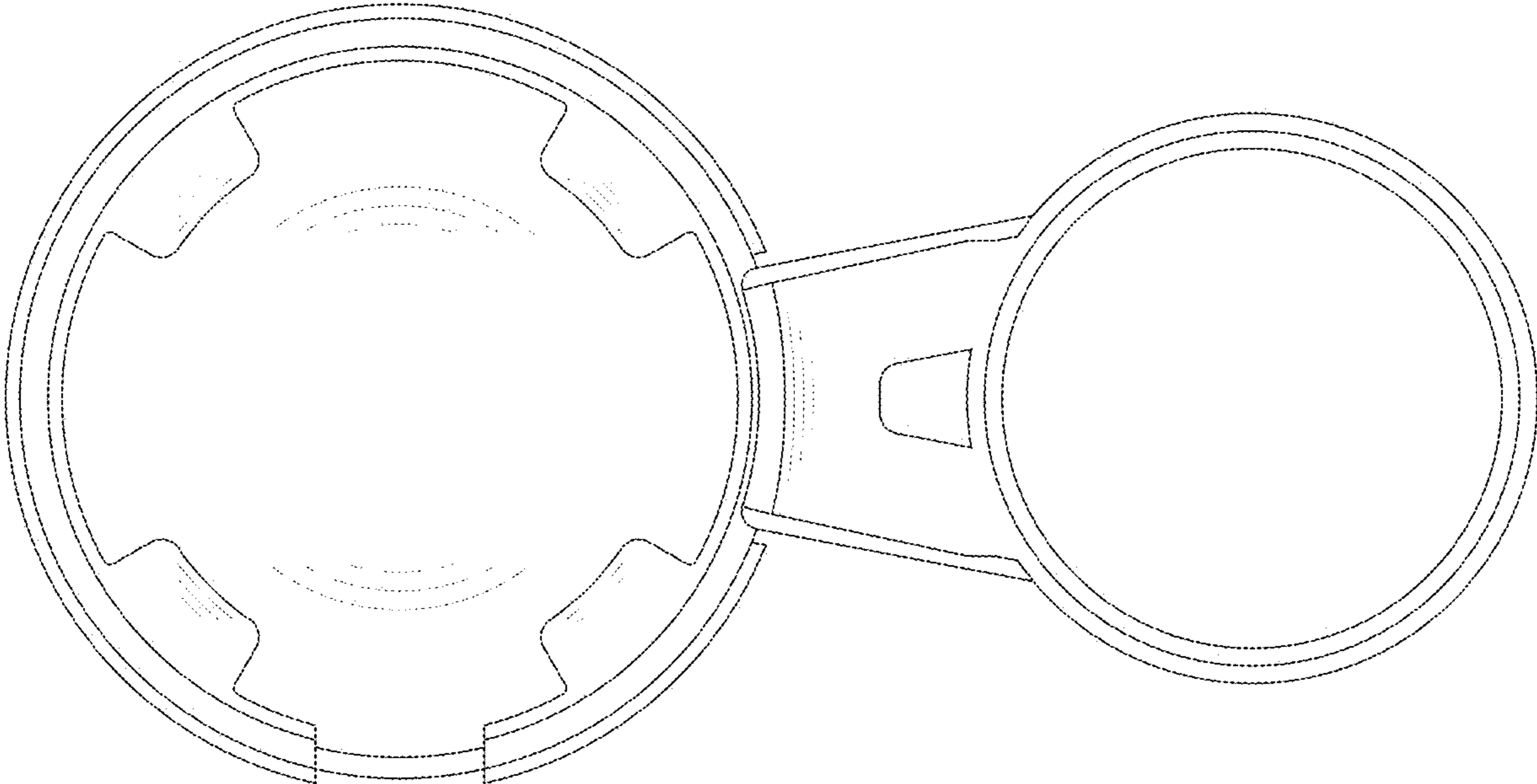


FIG. 7

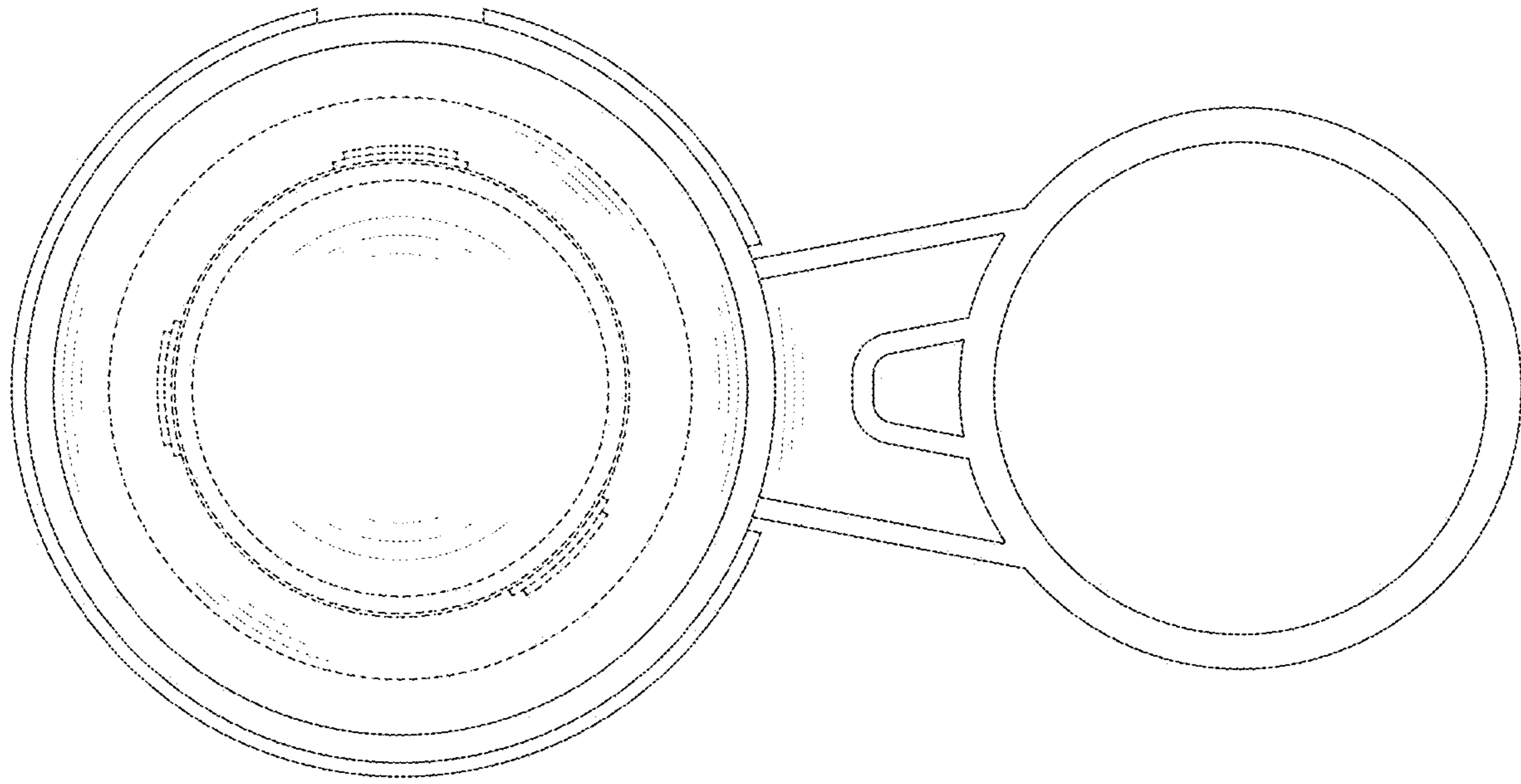


FIG. 8