



US00D966172S

(12) **United States Design Patent**
Eriksson et al.

(10) **Patent No.:** **US D966,172 S**
(45) **Date of Patent:** **** Oct. 11, 2022**

- (54) **RACK FOOT**
- (71) Applicant: **Thule Sweden AB**, Hillerstorp (SE)
- (72) Inventors: **Henrik Eriksson**, Jönköping (SE);
Johan Larsson, Jönköping (SE)
- (73) Assignee: **Thule Sweden AB**, Hillerstorp (SE)
- (**) Term: **15 Years**
- (21) Appl. No.: **29/734,693**
- (22) Filed: **May 14, 2020**

Related U.S. Application Data

- (63) Continuation of application No. 29/653,568, filed on Jun. 15, 2018, now Pat. No. Des. 885,304.
- (51) **LOC (13) Cl.** **12-16**
- (52) **U.S. Cl.**
USPC **D12/414**
- (58) **Field of Classification Search**
USPC D12/106, 190, 223, 400, 406, 412, 413,
D12/414, 414.1
CPC B60P 7/06; B60P 7/15; B60P 9/00; B60R
9/12; B60R 9/04; B60R 9/042; B60R
9/052; B60R 9/05; B60R 9/08; B60R
9/058; B60R 11/0235; B60R 13/00; B60R
16/033; B60R 2011/004; Y10S 224/924
See application file for complete search history.

(56) **References Cited**

U.S. PATENT DOCUMENTS

- D266,836 S * 11/1982 Ingram D12/414
- D267,087 S * 11/1982 Ingram D8/382
- D273,187 S 3/1984 Brorsson
- D276,989 S 1/1985 Whitney
- D294,340 S 2/1988 Robson
- D297,628 S * 9/1988 Robson D12/414
- D317,744 S 6/1991 Bott

- D320,971 S 10/1991 Sparham et al.
 - D321,496 S 11/1991 Sparham et al.
 - 5,104,020 A 4/1992 Arvidsson et al.
 - 5,190,198 A 3/1993 Cucheran
 - D406,095 S 2/1999 Denny et al.
 - 6,182,876 B1 * 2/2001 Moliner B60R 9/058
224/322
 - 6,419,134 B1 * 7/2002 Grimm B60R 9/058
224/326
 - D495,654 S * 9/2004 Elwell D12/414
 - D499,372 S 12/2004 Andersson
- (Continued)

FOREIGN PATENT DOCUMENTS

- BR DI6502197-0001 * 8/2005
 - CN 301976325 * 7/2012
- (Continued)

Primary Examiner — Sheryl Lane
Assistant Examiner — Ieisha N Price
 (74) *Attorney, Agent, or Firm* — Sterne, Kessler,
 Goldstein & Fox P.L.L.C.

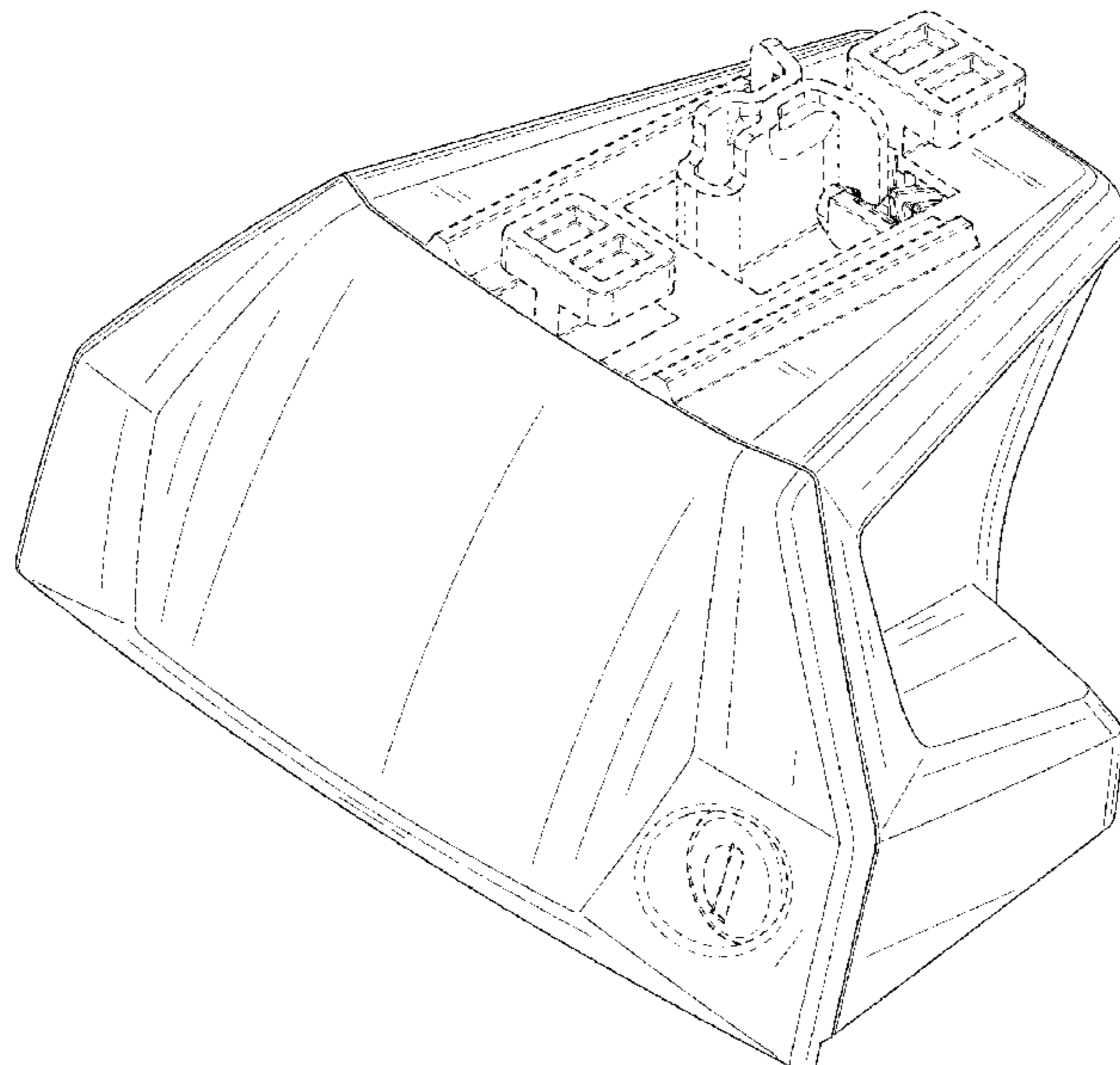
(57) **CLAIM**

The ornamental design for a rack foot, as shown and described.

DESCRIPTION

FIG. 1 is a top front perspective view of a rack foot showing the claimed design;
 FIG. 2 is a front view thereof;
 FIG. 3 is a rear view thereof;
 FIG. 4 is a right side view thereof;
 FIG. 5 is a left side view thereof;
 FIG. 6 is a top view thereof;
 FIG. 7 is a bottom view thereof; and,
 FIG. 8 is a bottom rear perspective view thereof.
 The broken lines in the figures show portions of the rack foot that form no part of the claimed design.

1 Claim, 8 Drawing Sheets



(56)

References Cited

U.S. PATENT DOCUMENTS

7,434,713 B2 * 10/2008 Linden B60R 9/058
224/329

7,757,914 B2 7/2010 Book et al.
D642,113 S 7/2011 Farber
D694,170 S 11/2013 Eriksson
D695,206 S 12/2013 Eriksson
D709,818 S 7/2014 Zhang
10,220,792 B2 * 3/2019 Ziraldo B60R 9/052
10,358,096 B2 * 7/2019 Bergman B60R 9/048
10,391,946 B2 * 8/2019 Sandberg B60R 9/045
D867,262 S 11/2019 Eriksson et al.
10,486,618 B2 * 11/2019 Hornsby G09F 21/04
D869,378 S * 12/2019 Hornsby D12/412
D874,384 S * 2/2020 Salsi D12/406
D885,304 S * 5/2020 Eriksson D12/414
D895,529 S * 9/2020 Chang D12/412
D906,225 S * 12/2020 Eriksson D12/412
D929,930 S * 9/2021 Park D12/406
2005/0051684 A1 3/2005 Linden
2007/0108243 A1 * 5/2007 Bingham B60R 9/058
224/322

2010/0282799 A1 11/2010 Hubbard
2011/0315726 A1 12/2011 Huhn et al.
2012/0241486 A1 9/2012 Shen
2014/0183235 A1 7/2014 Hubbard

2015/0122857 A1 5/2015 Ferman et al.
2015/0129625 A1 * 5/2015 Gorey B60R 9/04
224/309

2015/0151686 A1 * 6/2015 Chang B60R 9/058
224/321

2015/0232038 A1 8/2015 Robertson
2015/0274084 A1 10/2015 Sarges et al.
2016/0362055 A1 * 12/2016 McFadden B60R 9/05
2016/0362063 A1 * 12/2016 McFadden B60R 9/052
2018/0170270 A1 6/2018 Bergman
2021/0155165 A1 * 5/2021 Larsson B60R 9/058
2021/0170953 A1 * 6/2021 Nydam B62D 27/02
2021/0268968 A1 * 9/2021 Olaison B60R 9/058

FOREIGN PATENT DOCUMENTS

CN	D1484325	* 11/2013
CN	304487792	* 2/2018
NZ	425506-0001	* 6/2018
NZ	429497-0001	* 4/2021
RU	00103593	* 5/2017
TW	200020-0001	* 10/2019
TW	200021-0001	* 10/2019
TW	201801-0001	* 1/2020
TW	201802-0001	* 1/2020
TW	201803-0001	* 1/2020

* cited by examiner

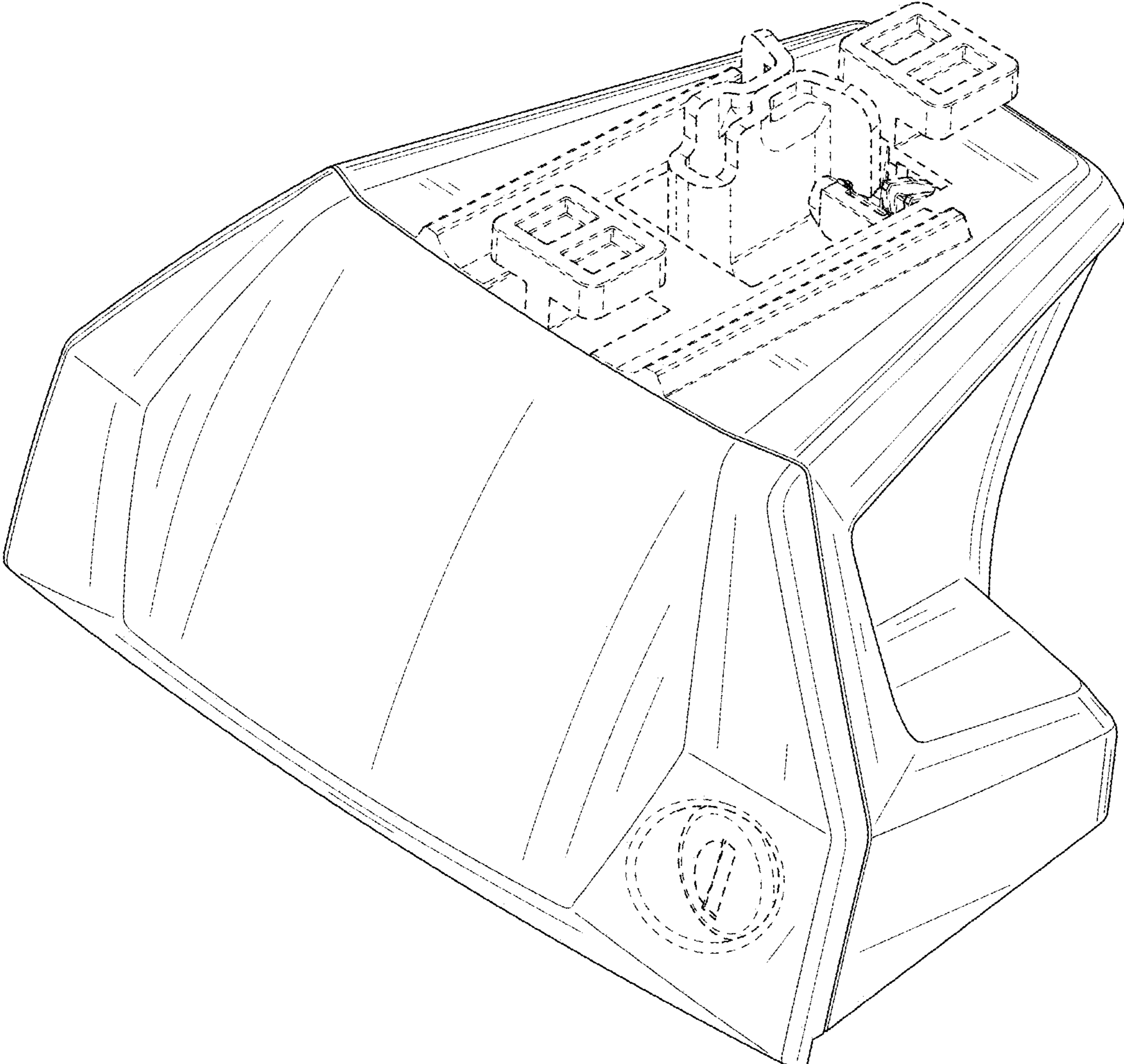


FIG. 1

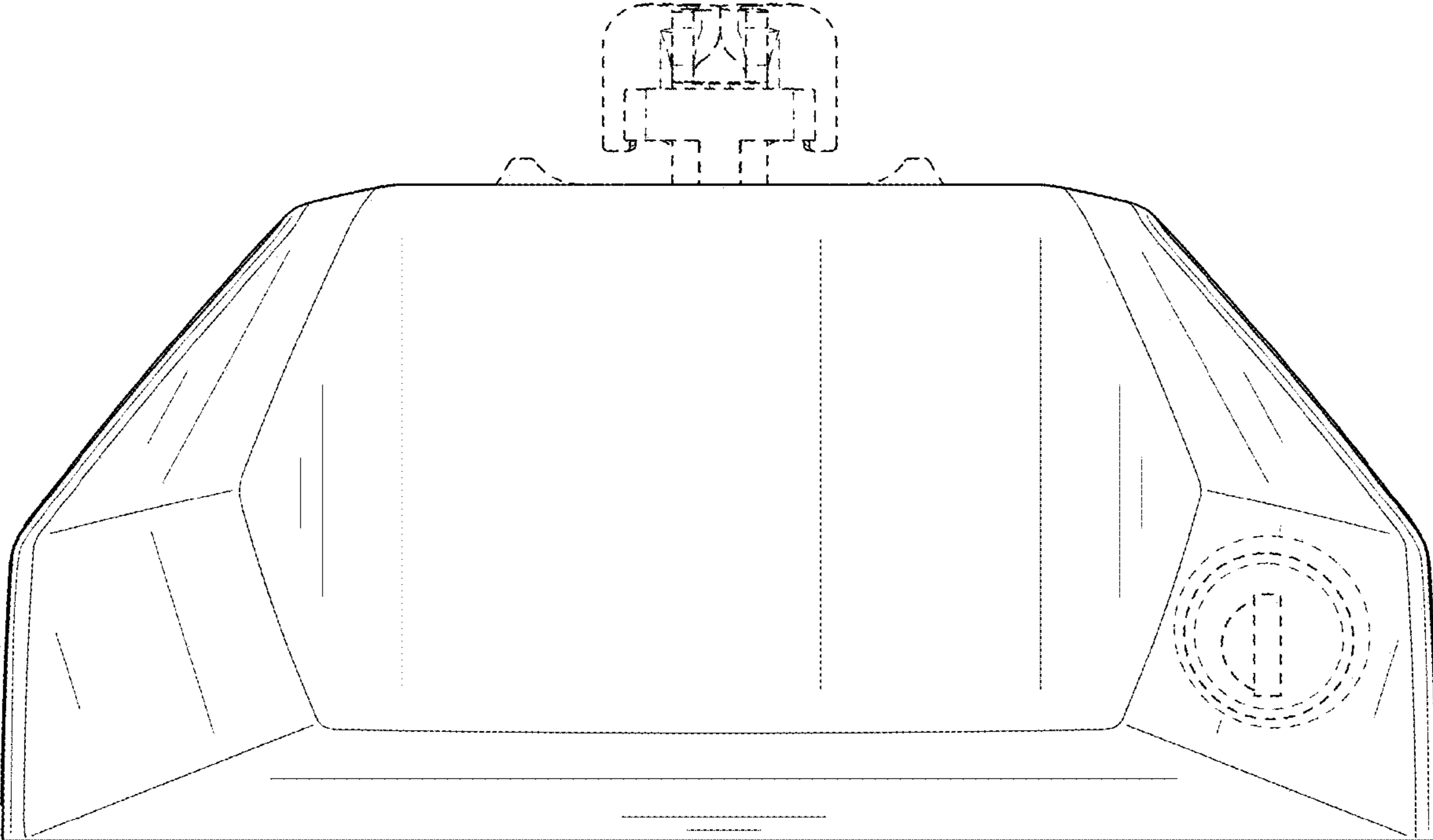


FIG. 2

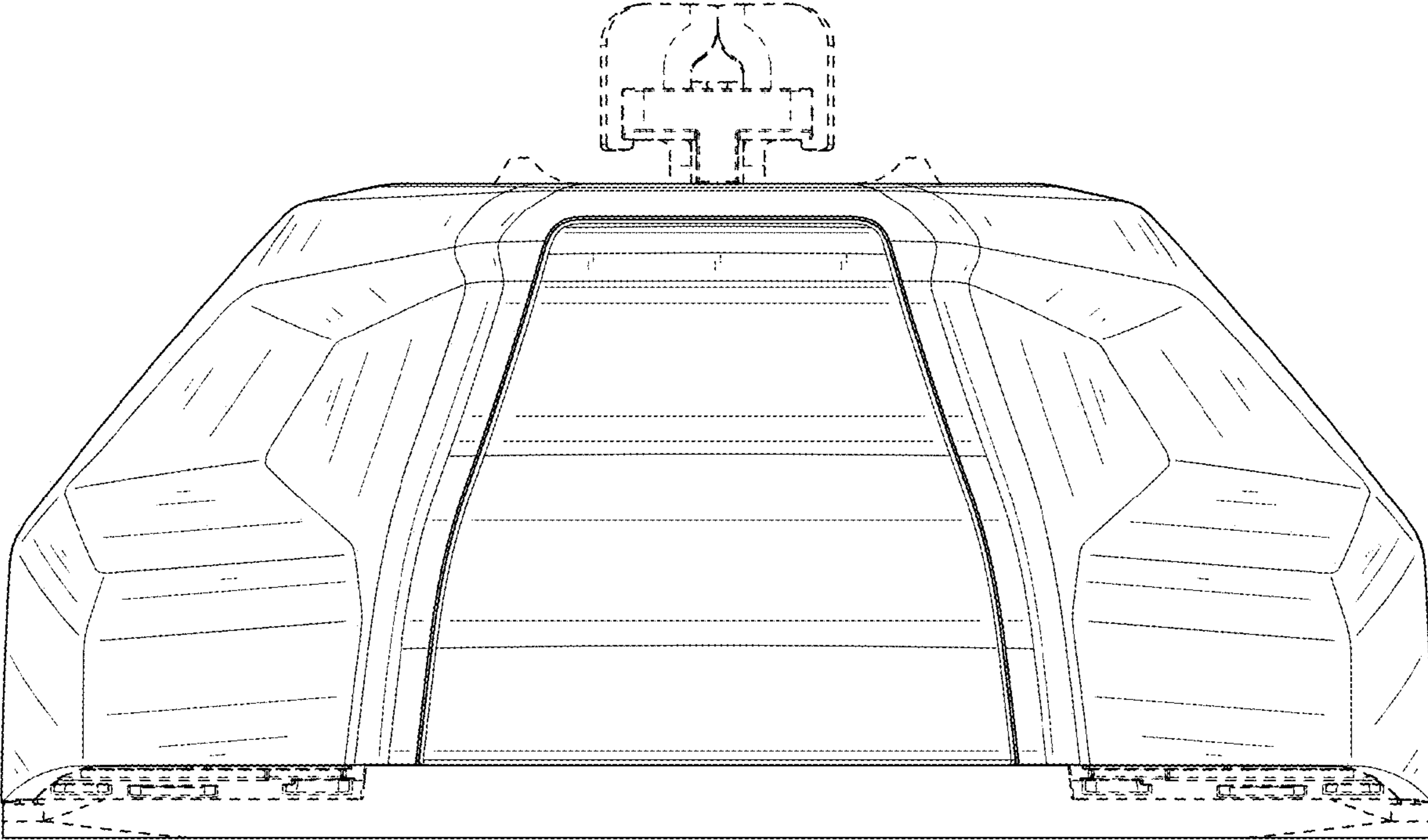


FIG. 3

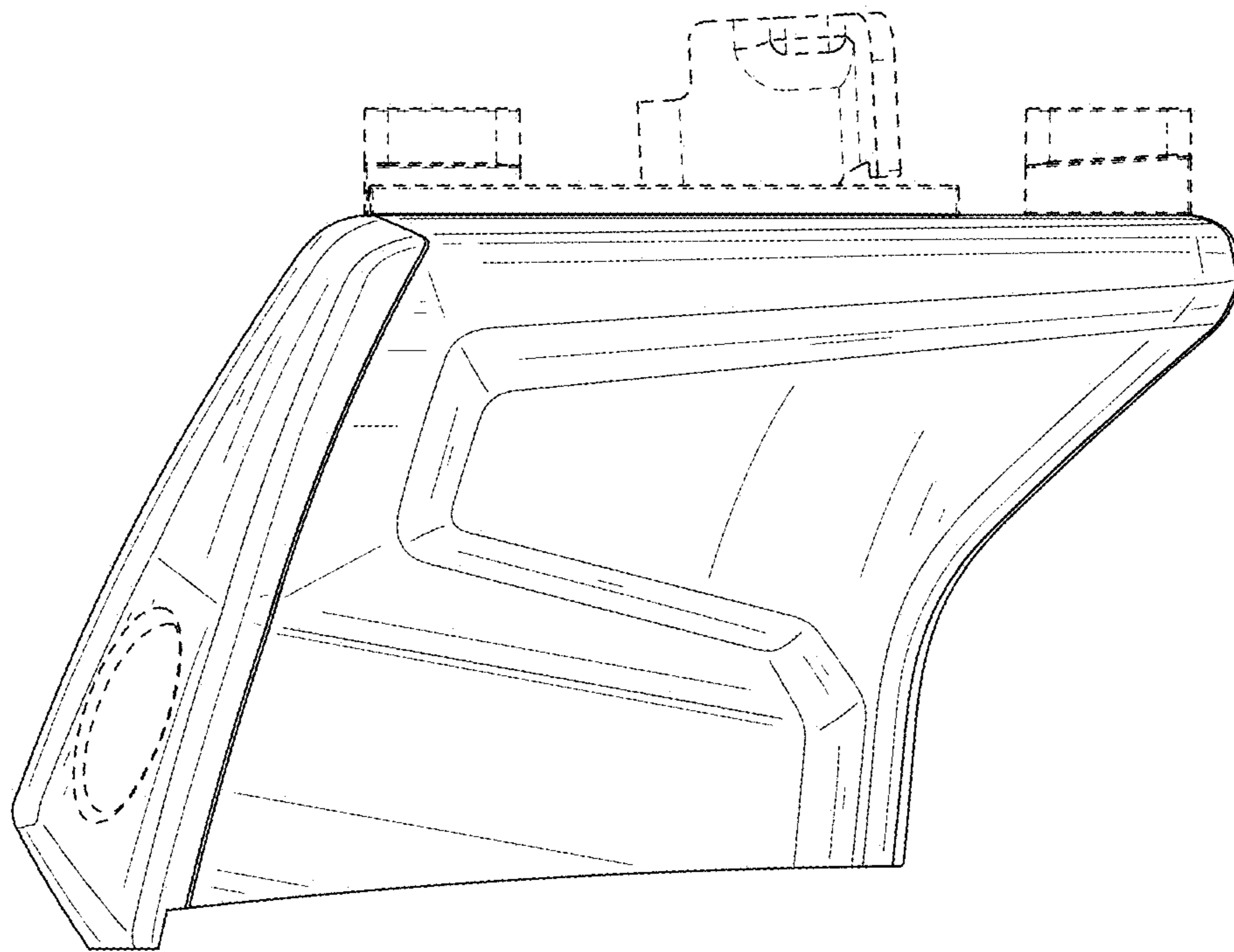


FIG. 4

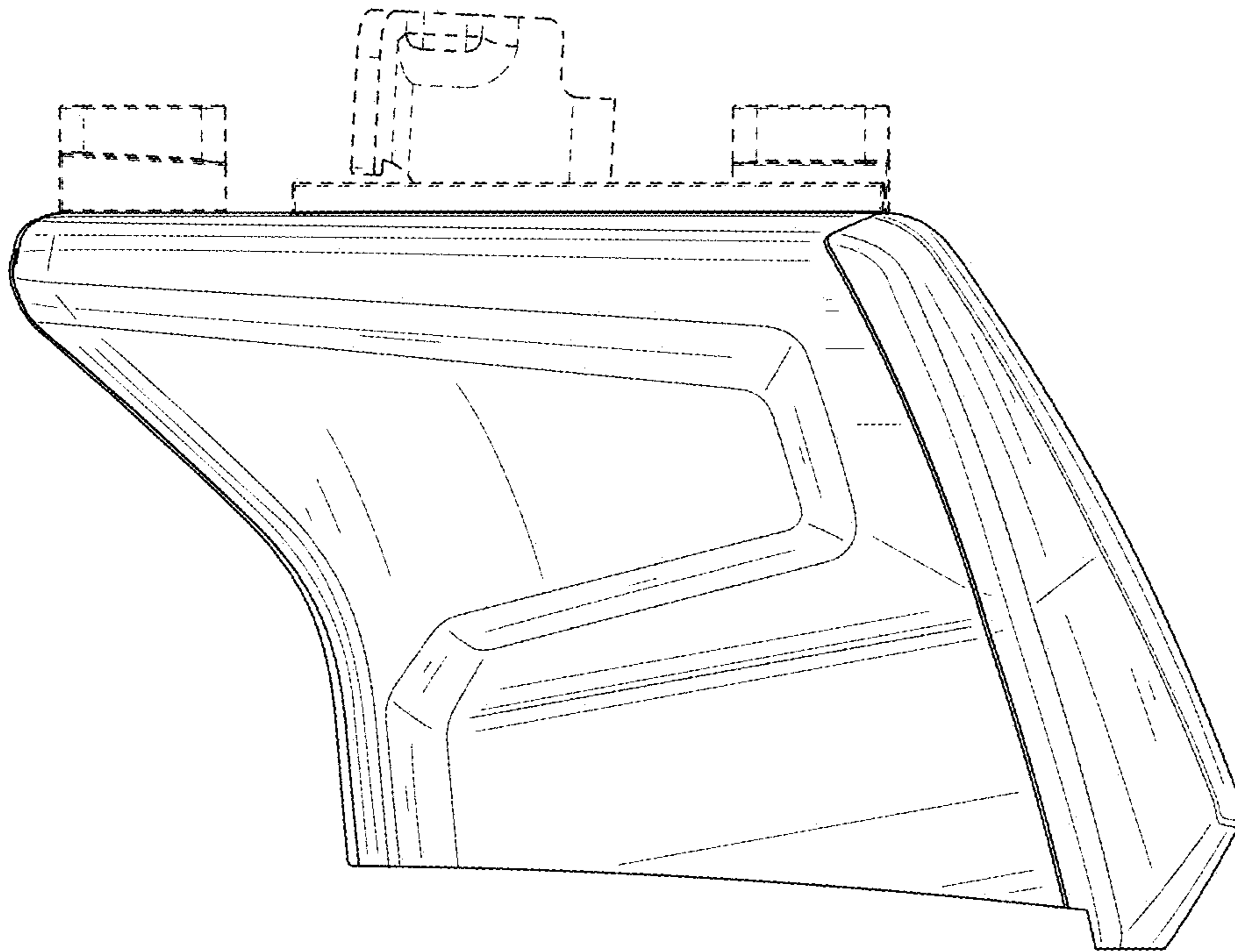


FIG. 5

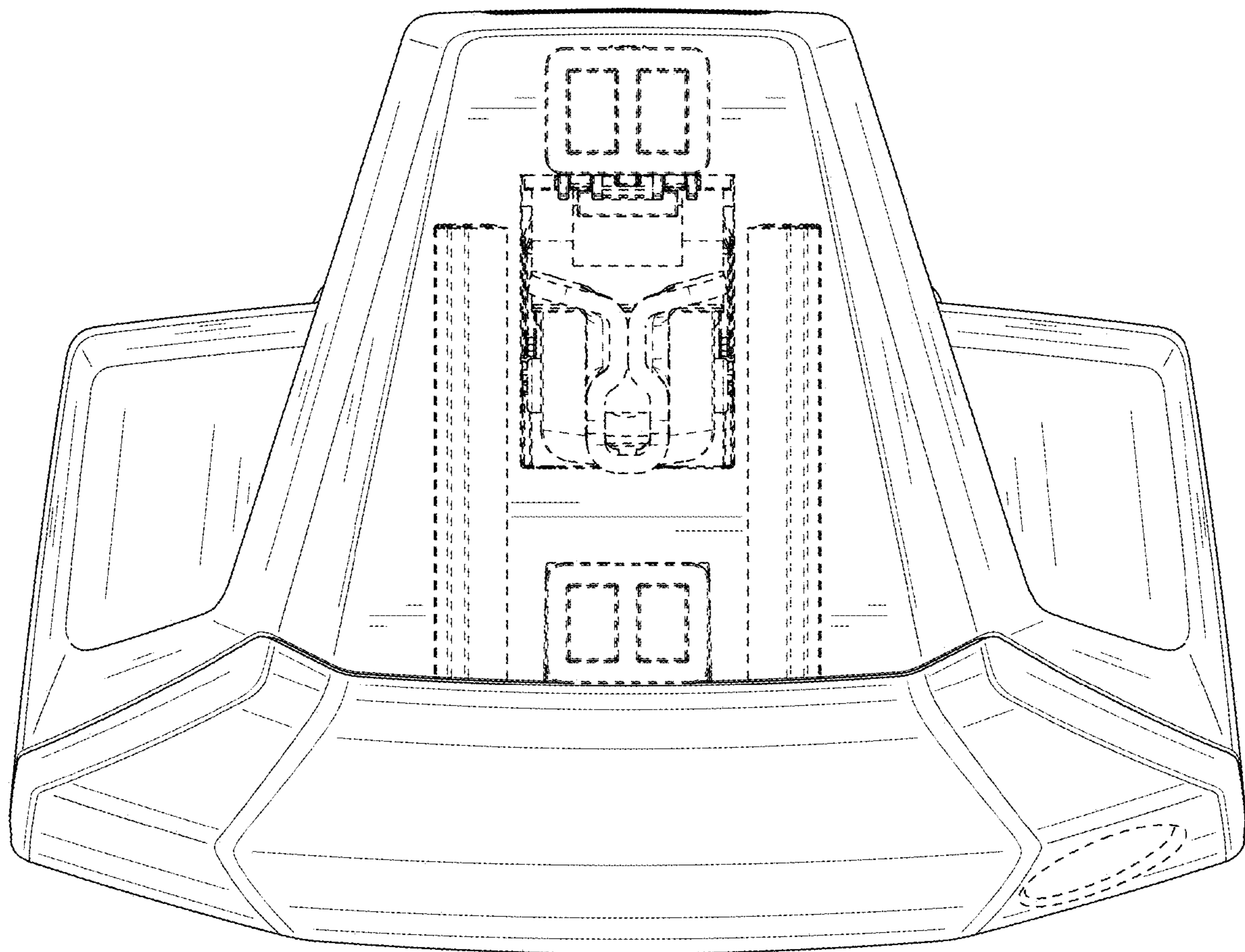


FIG. 6

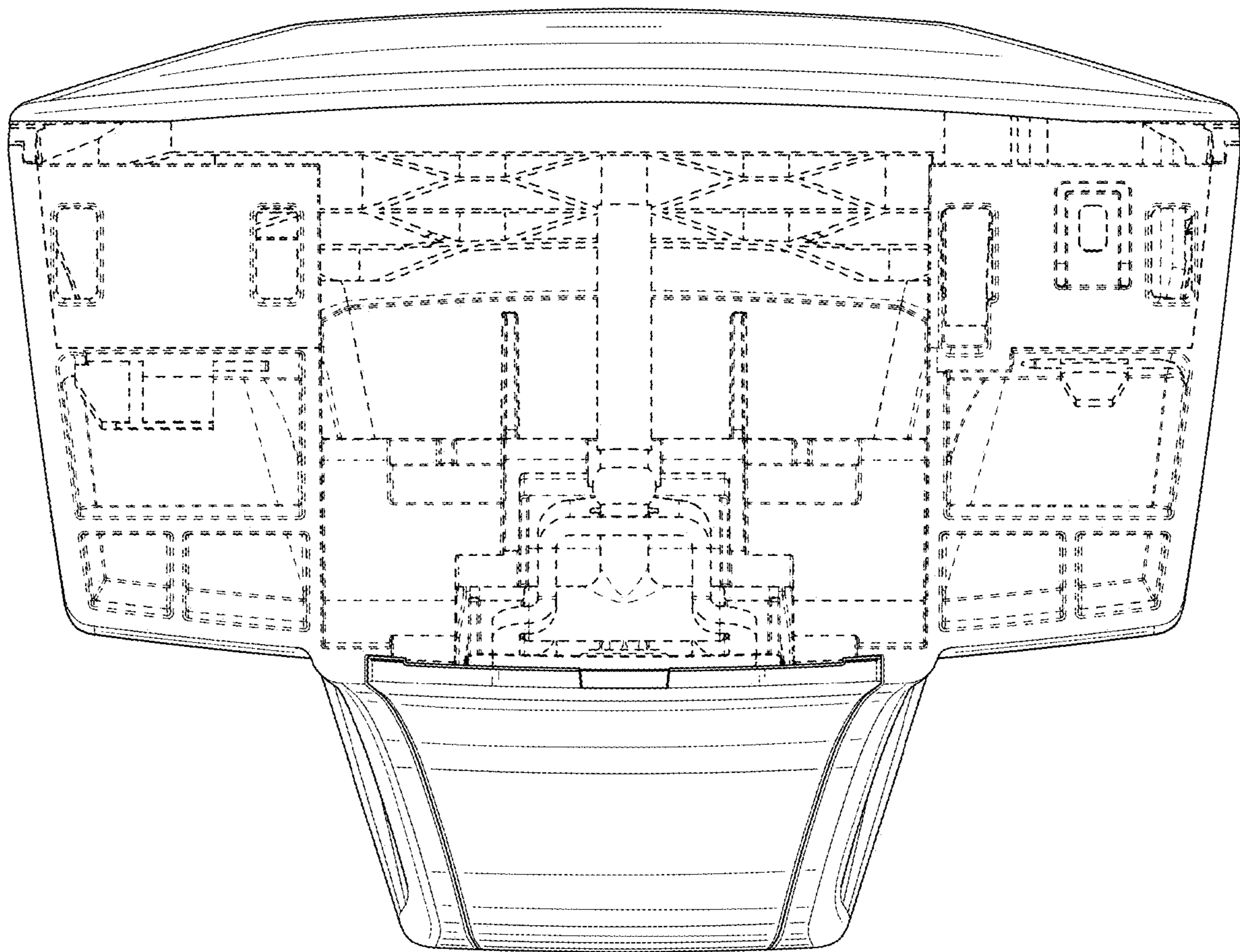


FIG. 7

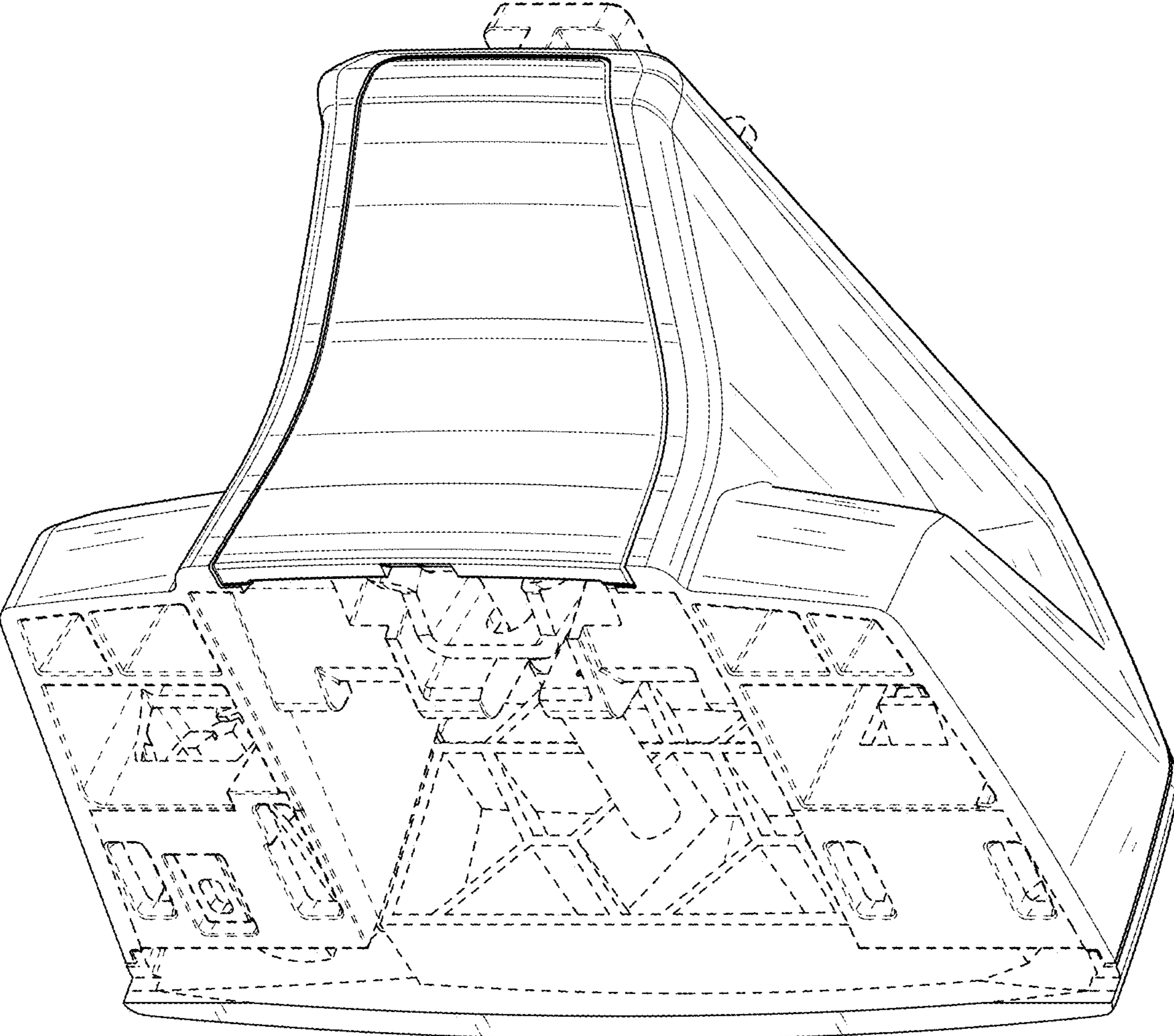


FIG. 8