

US00D966171S

(12) **United States Design Patent** (10) **Patent No.:** **US D966,171 S**
Sagen et al. (45) **Date of Patent:** **** Oct. 11, 2022**

(54) **BICYCLE CARRIER**

(71) Applicant: **Yakima Products, Inc.**, Lake Oswego, OR (US)

(72) Inventors: **Jason Attfield Sagen**, Portland, OR (US); **Gian-Marco D'Angelo**, Portland, OR (US); **Scott A. McFadden**, Portland, OR (US); **Joseph P. Burkley**, Portland, OR (US); **Kevin Lesley**, Beaverton, OR (US)

6,439,397 B1 8/2002 Reeves
 6,460,743 B2 10/2002 Edgerly et al.
 D467,218 S * 12/2002 Peschmann D12/408
 D467,219 S * 12/2002 Peschmann D12/408
 6,523,731 B1 2/2003 Pedrini
 6,640,979 B1 11/2003 Mayfield
 6,761,297 B1 7/2004 Pedrini
 6,857,545 B2 2/2005 McLemore et al.
 6,868,998 B2 3/2005 Dean
 6,976,615 B2 12/2005 Dean
 7,104,430 B2 9/2006 Reeves
 7,222,763 B2 5/2007 Pedrini
 (Continued)

(73) Assignee: **Yakima Products, Inc.**, Lake Oswego, OR (US)

FOREIGN PATENT DOCUMENTS

(**) Term: **15 Years**

CA 2531567 A1 6/2007
 EP 0989029 A1 3/2000
 EP 1568542 A1 8/2005

(21) Appl. No.: **29/759,301**

Primary Examiner — Michelle E. Wilson

(22) Filed: **Nov. 20, 2020**

Assistant Examiner — Clese Moore, Jr.

(51) **LOC (13) Cl.** **12-11**

(74) *Attorney, Agent, or Firm* — Kolisch Hartwell, P.C.

(52) **U.S. Cl.**
 USPC **D12/407**

(57) **CLAIM**

(58) **Field of Classification Search**
 USPC D12/407, 408, 406, 402, 412, 414, 115
 CPC .. B60R 9/06; B60R 9/10; B60R 9/045; B60R 9/048

The ornamental design for a bicycle carrier, as shown and described.

See application file for complete search history.

DESCRIPTION

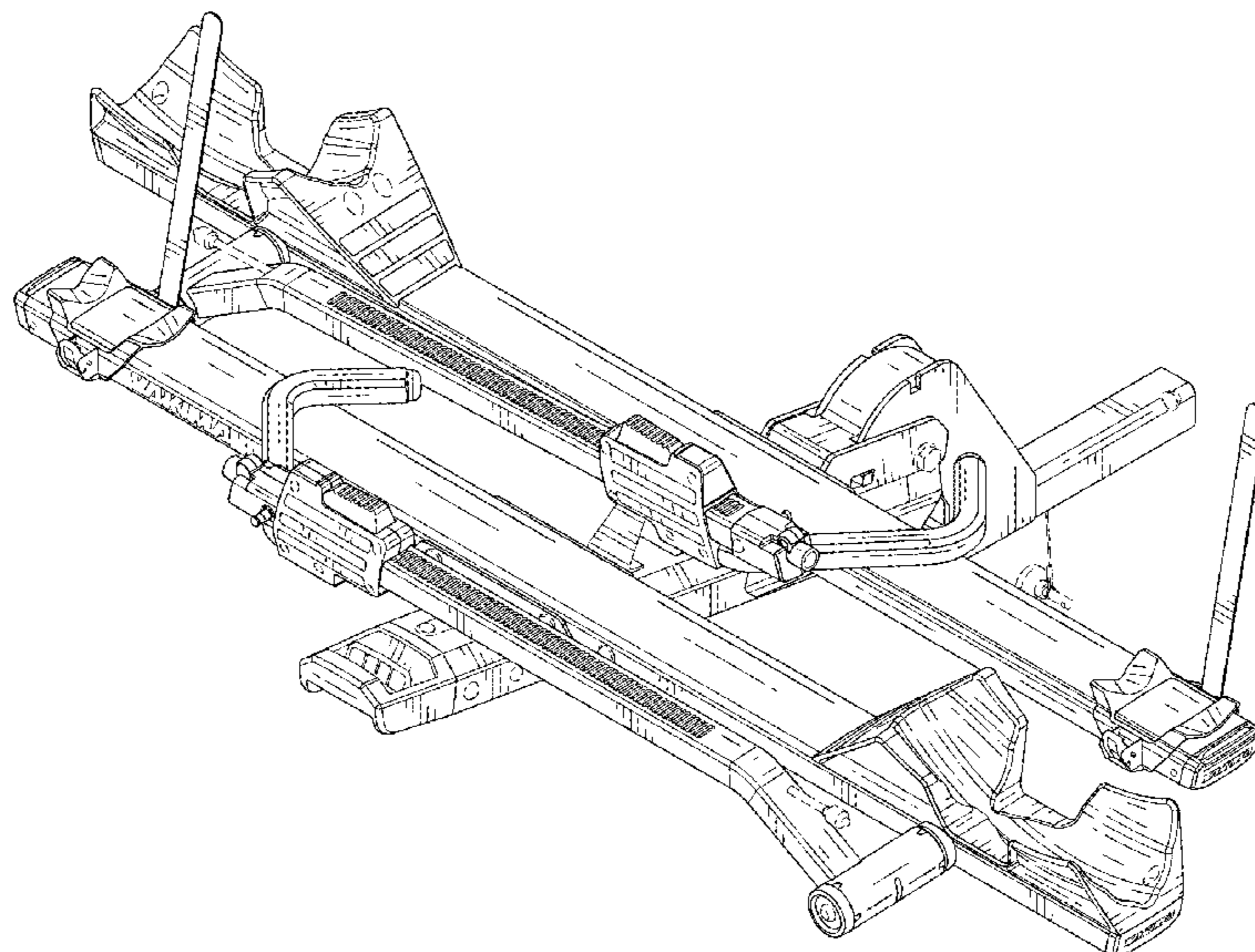
(56) **References Cited**

U.S. PATENT DOCUMENTS

4,702,401 A 10/1987 Graber et al.
 5,190,195 A 3/1993 Fullhart et al.
 5,330,084 A 7/1994 Peters
 5,377,886 A 1/1995 Sickler
 5,690,259 A 11/1997 Montani
 5,692,659 A 12/1997 Reeves
 5,833,074 A 11/1998 Phillips
 6,019,266 A 2/2000 Johnson
 6,053,336 A 4/2000 Reeves
 D430,533 S * 9/2000 Peschmann D12/408
 6,244,483 B1 6/2001 McLemore et al.

FIG. 1 is a rear, top, and right side perspective view of a bicycle carrier showing the new design;
 FIG. 2 is a front, bottom, and left side perspective view thereof;
 FIG. 3 is a top plan view thereof;
 FIG. 4 is a bottom plan view thereof;
 FIG. 5 is a front elevation view thereof;
 FIG. 6 is a rear elevation view thereof;
 FIG. 7 is a left side elevation view thereof; and,
 FIG. 8 is a right side elevation view thereof.
 The dashed lines and structures they depict form no part of the claimed design.

1 Claim, 8 Drawing Sheets



(56)

References Cited

U.S. PATENT DOCUMENTS

D546,755 S *	7/2007	Ezra	D12/408	2006/0029483 A1	2/2006	Allen et al.	
7,240,816 B2	7/2007	Tsai			2007/0164065 A1	7/2007	Davis	
D554,041 S *	10/2007	Ezra	D12/408	2008/0073395 A1*	3/2008	Reeves B60R 9/10 224/324
7,648,151 B2	1/2010	Pedrini			2008/0099522 A1	5/2008	Clausen et al.	
7,784,656 B2	8/2010	Morrill et al.			2008/0164292 A1	7/2008	Farney	
D628,141 S *	11/2010	Weaver	D12/408	2008/0303244 A1	12/2008	Wang	
D630,572 S *	1/2011	Weaver	D12/408	2009/0120984 A1	5/2009	Sautter et al.	
D648,257 S *	11/2011	Mulanon	D12/406	2009/0229093 A1	9/2009	Zwanenburg	
8,113,398 B2	2/2012	Sautter et al.			2009/0236382 A1	9/2009	Sautter et al.	
D669,016 S *	10/2012	Pozzi	D12/408	2011/0011909 A1*	1/2011	Liu B60R 9/10 224/523
D672,704 S *	12/2012	Grago	D12/408	2011/0132946 A1	6/2011	Sautter et al.	
8,496,145 B2	7/2013	Sautter et al.			2012/0125964 A1	5/2012	Sautter et al.	
D727,831 S *	4/2015	Eriksson	D12/407	2013/0062385 A1*	3/2013	Pedrini B60R 9/10 224/501
D788,019 S *	5/2017	Kuschmeader	D12/408	2014/0308101 A1*	10/2014	Brutsaert B60R 9/10 414/462
D790,434 S *	6/2017	Adler	D12/408	2016/0068110 A1	3/2016	Prescott et al.	
D813,784 S *	3/2018	Larsson	D12/406	2017/0050577 A1	2/2017	Lindholm et al.	
D817,256 S *	5/2018	Adler	D12/408	2017/0349111 A1*	12/2017	Ramsdell B60R 9/06
D877,685 S *	3/2020	Larsson	D12/406	2018/0072237 A1*	3/2018	Kuschmeader B60R 9/10
10,752,179 B2	8/2020	Ramsdell et al.			2020/0156724 A1*	5/2020	Kuschmeader B60R 9/06
2002/0005422 A1	1/2002	Nusbaum						
2004/0238582 A1	12/2004	Pedrini						

* cited by examiner

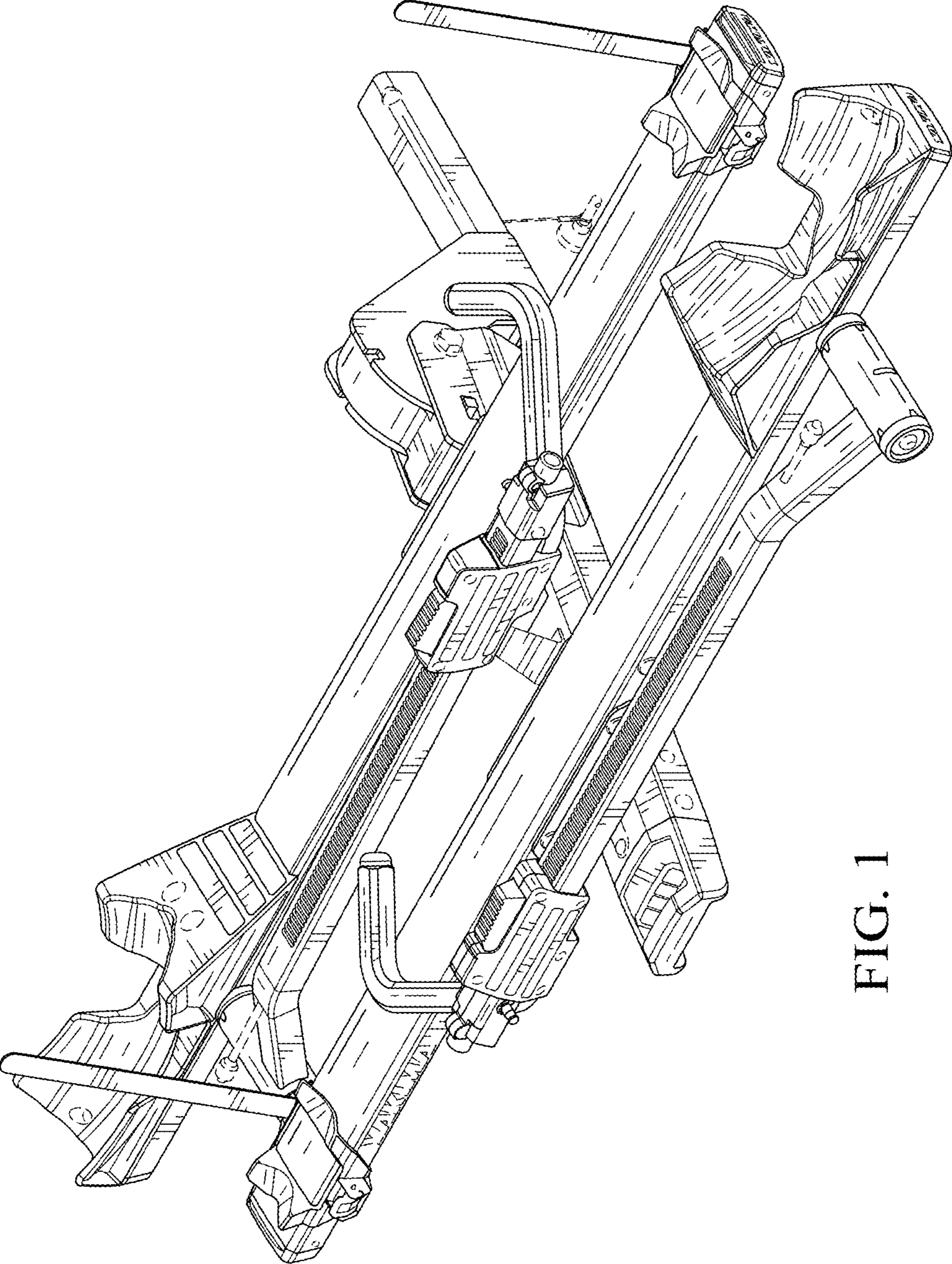


FIG. 1

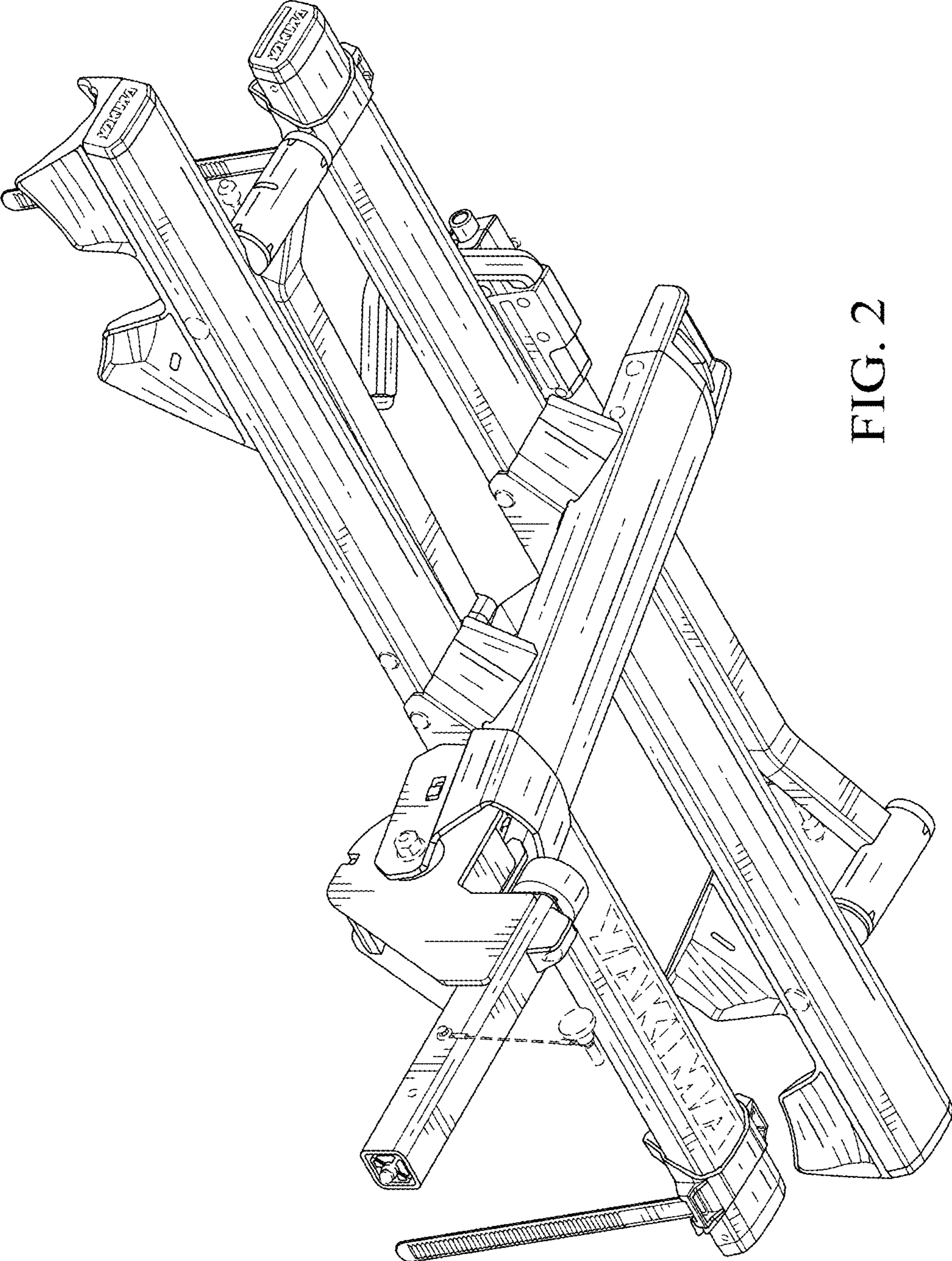


FIG. 2

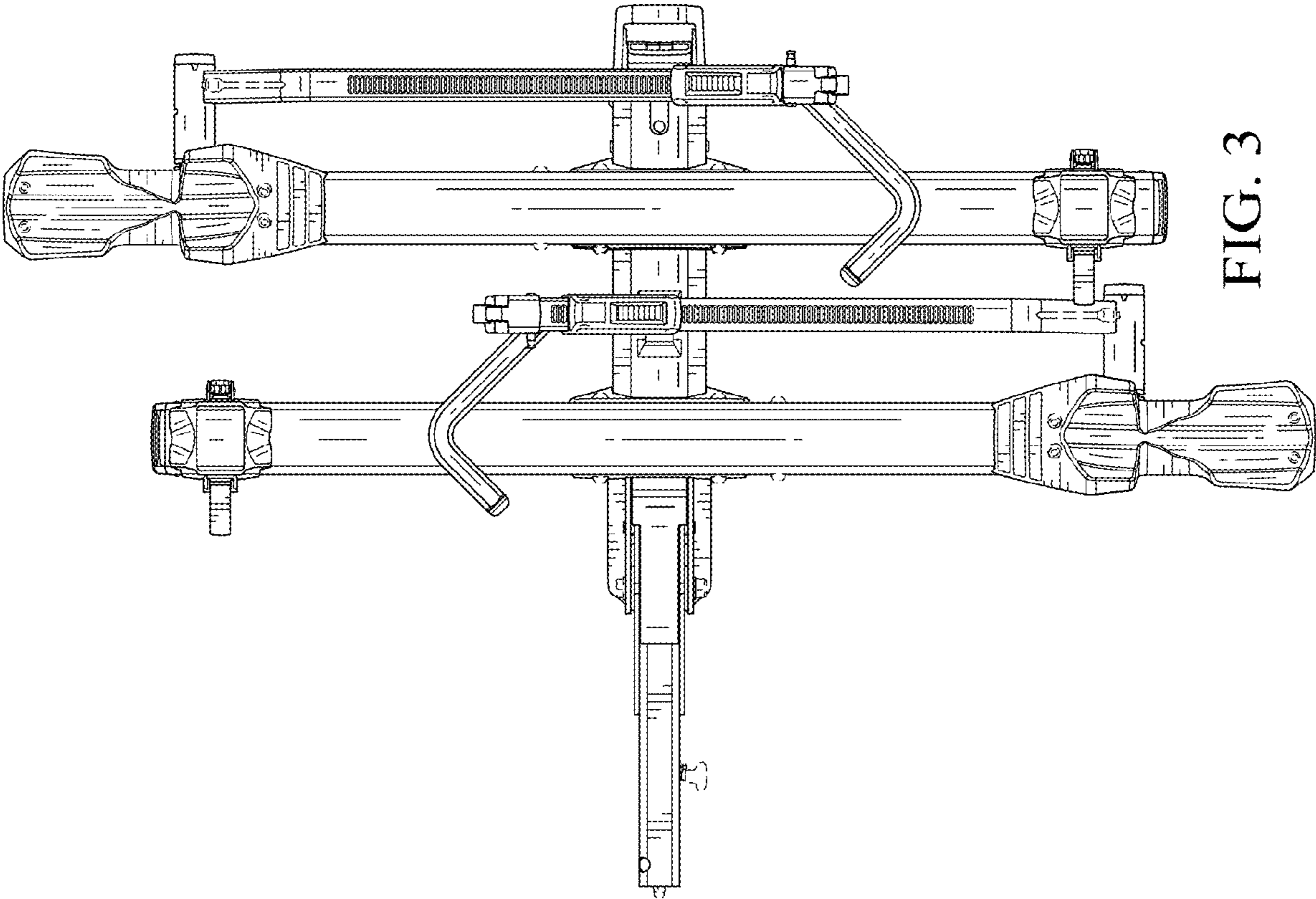


FIG. 3

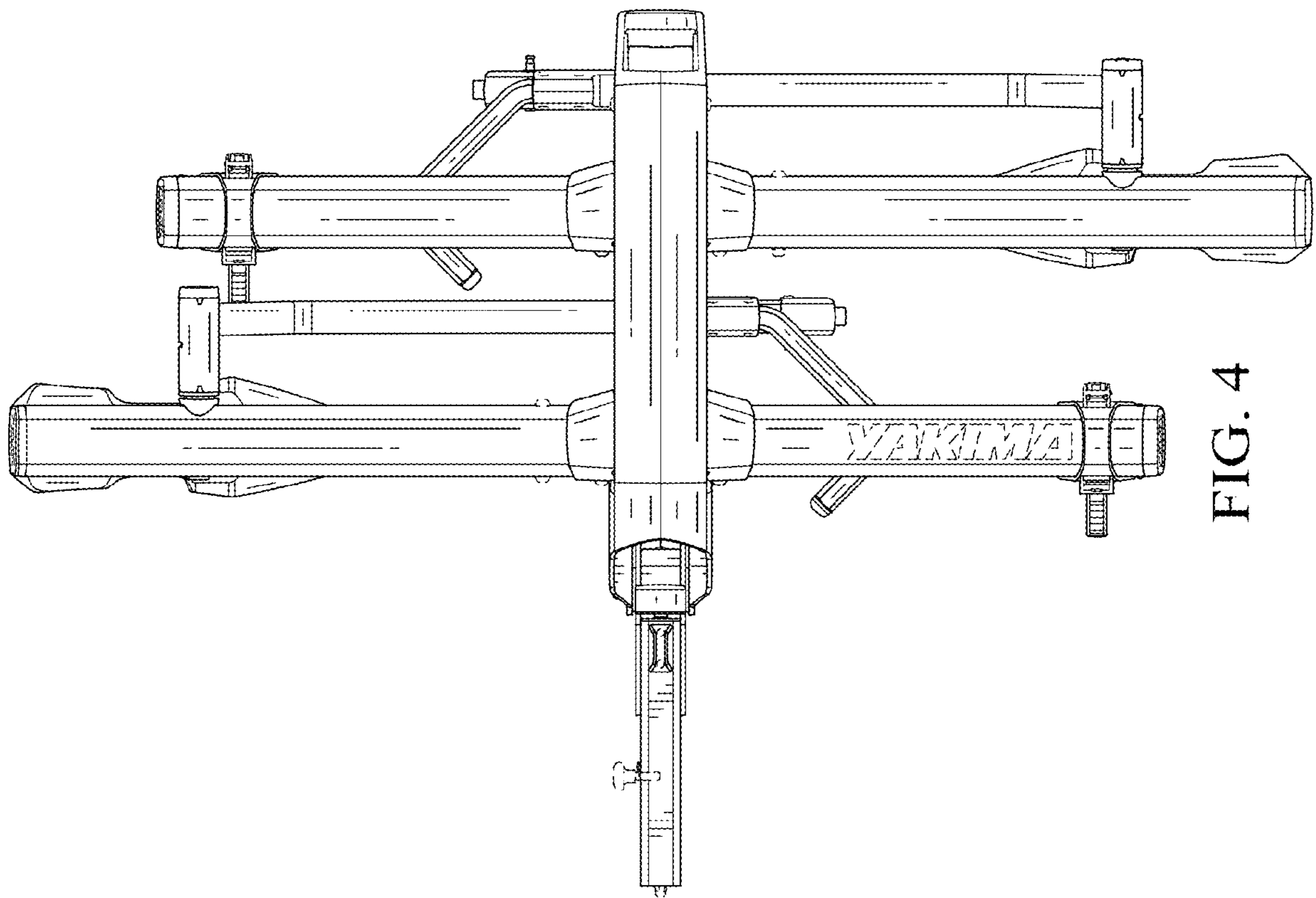


FIG. 4

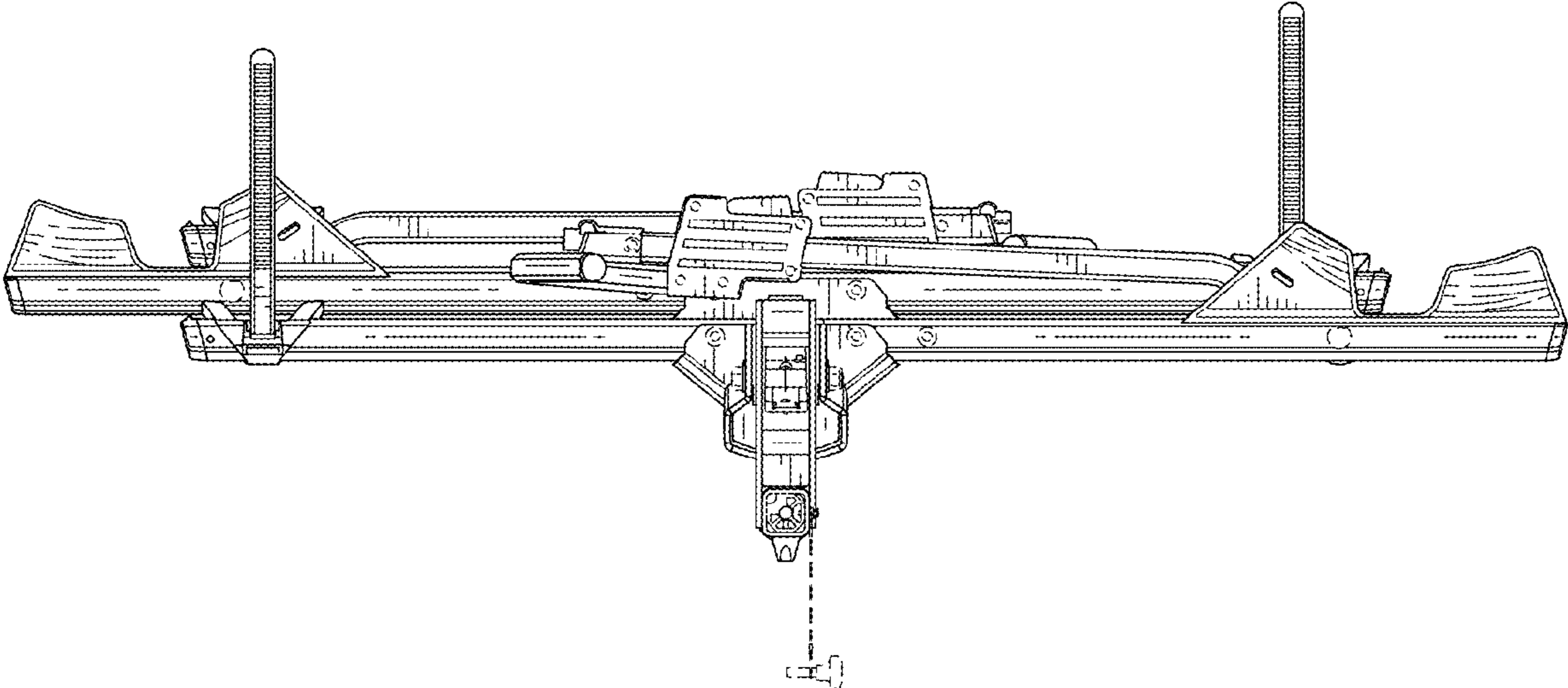


FIG. 5

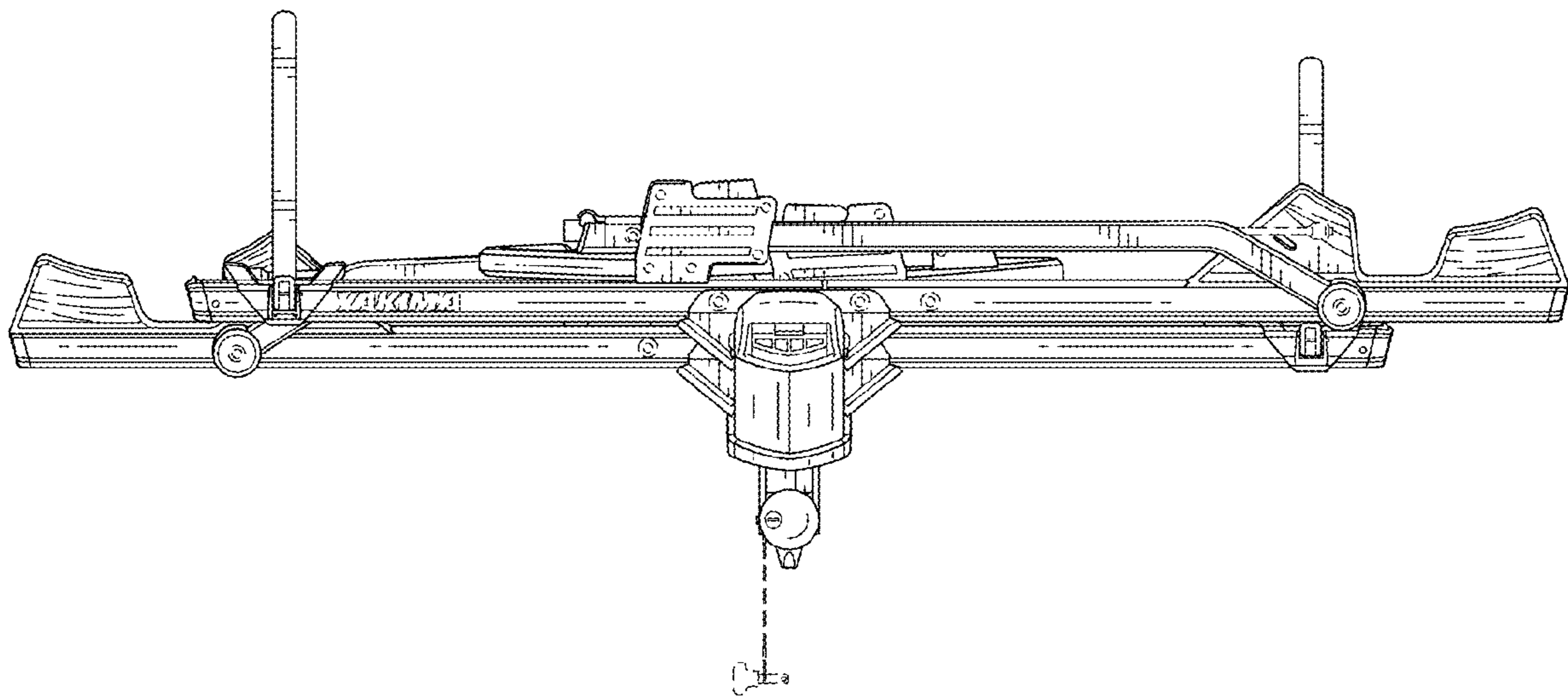


FIG. 6

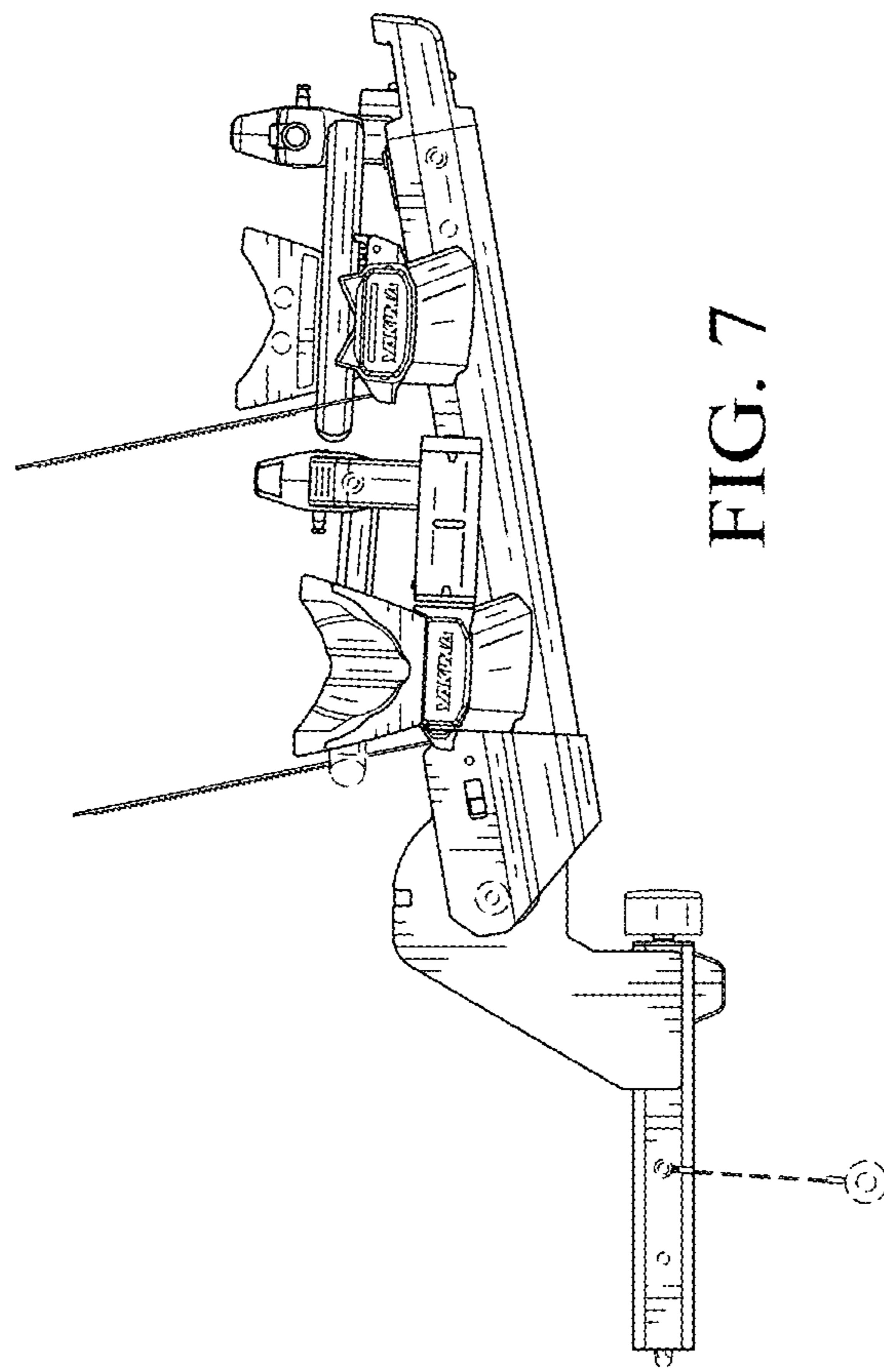


FIG. 7

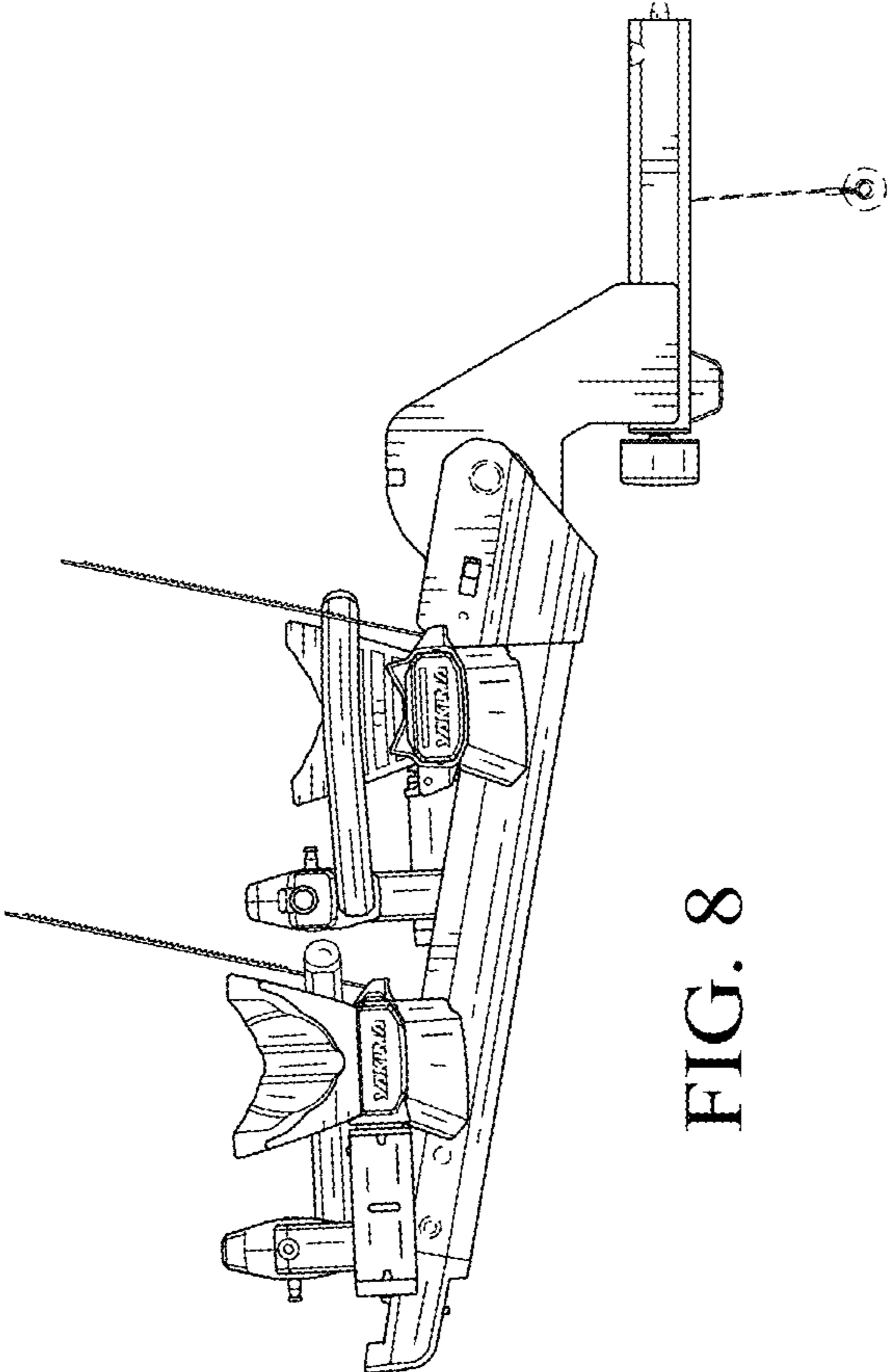


FIG. 8