



US00D966156S

(12) **United States Design Patent** (10) **Patent No.:** **US D966,156 S**
Perilli (45) **Date of Patent:** **** Oct. 11, 2022**

- (54) **STEERING DEVICE**
- (71) Applicant: **Stahpen Dewitt Holdings LLC**, Cherry Hill, NJ (US)
- (72) Inventor: **Sandra Perilli**, Cherry Hill, NJ (US)
- (73) Assignee: **Stahpen Dewitt Holdings LLC**, Cherry Hill, NJ (US)
- (**) Term: **15 Years**
- (21) Appl. No.: **29/729,903**
- (22) Filed: **Mar. 31, 2020**
- (51) **LOC (13) Cl.** **12-12**
- (52) **U.S. Cl.**
USPC **D12/133**
- (58) **Field of Classification Search**
USPC D12/133, 174, 175, 177
CPC B62B 3/001; B62B 7/042; B62K 21/00
See application file for complete search history.

6,827,364 B1 12/2004 Martin
 6,840,527 B1 * 1/2005 Michelau B62K 21/00
 280/270
 6,921,102 B2 7/2005 Hsia
 (Continued)

OTHER PUBLICATIONS

The U.S. office actions, dated Feb. 25, 2019, Aug. 5, 2019 and Mar. 27, 2020, in the related U.S. Appl. No. 16/112,936.

Primary Examiner — Doris Clark

(57) **CLAIM**

I claim the ornamental design for a steering device, as shown and described.

DESCRIPTION

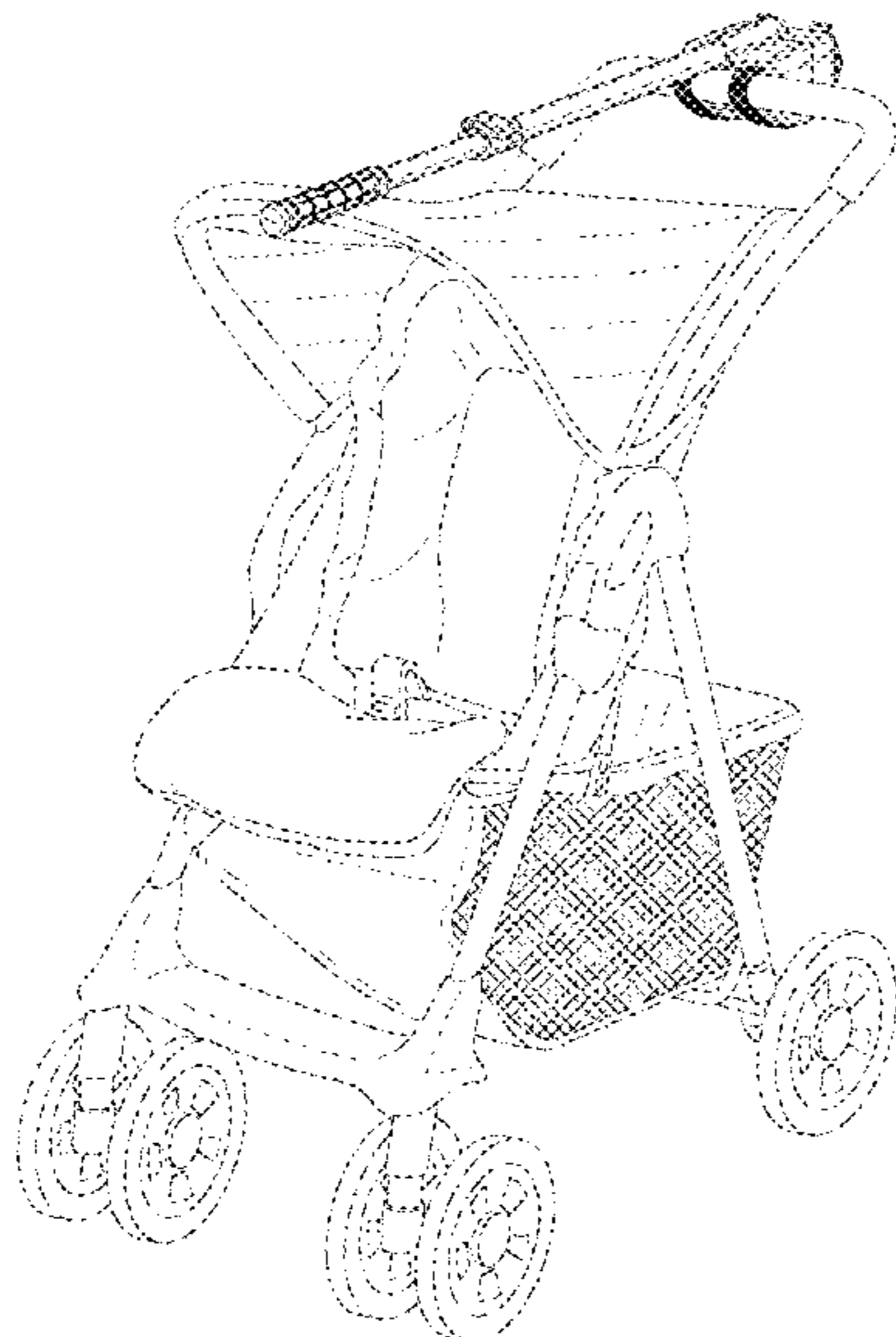
FIG. 1 is a top perspective view of a steering device, showing a first embodiment of my new design;
 FIG. 2 is a front elevational view thereof;
 FIG. 3 is a rear elevational view thereof;
 FIG. 4 is a left side elevational view thereof;
 FIG. 5 is a right side elevational view thereof;
 FIG. 6 is a top plan view thereof;
 FIG. 7 is a bottom plan view thereof;
 FIG. 8 is a top perspective view thereof in which a baby stroller in broken lines is provided to illustrate an example environment.
 FIG. 9 is a top perspective view of a steering device, showing a second embodiment of my new design;
 FIG. 10 is a front elevational view thereof;
 FIG. 11 is a rear elevational view thereof;
 FIG. 12 is a left side elevational view thereof;
 FIG. 13 is a right side elevational view thereof;
 FIG. 14 is a top plan view thereof;
 FIG. 15 is a bottom plan view thereof; and,
 FIG. 16 is a top perspective view thereof in which a baby stroller in broken lines is provided to illustrate an example environment.
 The broken lines shown in FIGS. 8-16 form no part of the claimed design.

(56) **References Cited**

U.S. PATENT DOCUMENTS

3,503,276	A	3/1970	Vigot	
4,369,986	A	1/1983	de la Fe	
4,470,610	A	9/1984	Wilson	
4,906,017	A	3/1990	Kassai	
5,018,754	A	5/1991	Cheng	
5,158,319	A	10/1992	Norcia et al.	
5,464,183	A	11/1995	McConnell et al.	
5,470,093	A	11/1995	Kiser	
6,059,301	A	5/2000	Skarnulis	
6,102,432	A	8/2000	Cheng	
6,447,001	B1	9/2002	Hsia	
6,497,424	B2	12/2002	Gartner et al.	
6,692,015	B2	2/2004	Perego	
6,722,689	B2	4/2004	Kreamer	
6,811,173	B1 *	11/2004	Shih B62H 7/00 280/270

1 Claim, 10 Drawing Sheets



(56)

References Cited

U.S. PATENT DOCUMENTS

7,032,911	B1	4/2006	Shellenberger	
D566,014	S *	4/2008	Myers	D12/133
7,566,069	B1	7/2009	Ortega et al.	
7,971,897	B2	7/2011	Pike et al.	
8,205,579	B2	6/2012	Pellei	
8,342,564	B2	1/2013	Popp	
8,464,397	B2	6/2013	Arnold, IV et al.	
8,469,388	B2	6/2013	Moore	
8,480,114	B1	7/2013	Grantz	
8,608,190	B2	12/2013	Mountz	
9,010,769	B1	4/2015	Munive	
9,144,708	B2	9/2015	Selek	
9,283,979	B1	3/2016	Rossi	
9,669,859	B2	6/2017	Hansen et al.	
9,834,118	B2	12/2017	Kunkel et al.	
2005/0046134	A1	3/2005	Gracias et al.	
2005/0246861	A1	11/2005	Monrad	
2006/0113737	A1	6/2006	Austin et al.	
2006/0244226	A1	11/2006	Ondrasik	
2007/0210560	A1	9/2007	Groover	
2008/0100014	A1	5/2008	Tripiano	
2008/0116656	A1	5/2008	Araya Moreno et al.	
2011/0078877	A1	4/2011	Risner	
2015/0091267	A1	4/2015	Conner	
2016/0207556	A1	7/2016	Unrath	
2016/0311456	A1	10/2016	Schuman	
2017/0349201	A1	12/2017	Diep	
2019/0016361	A1	1/2019	Perilli et al.	

* cited by examiner

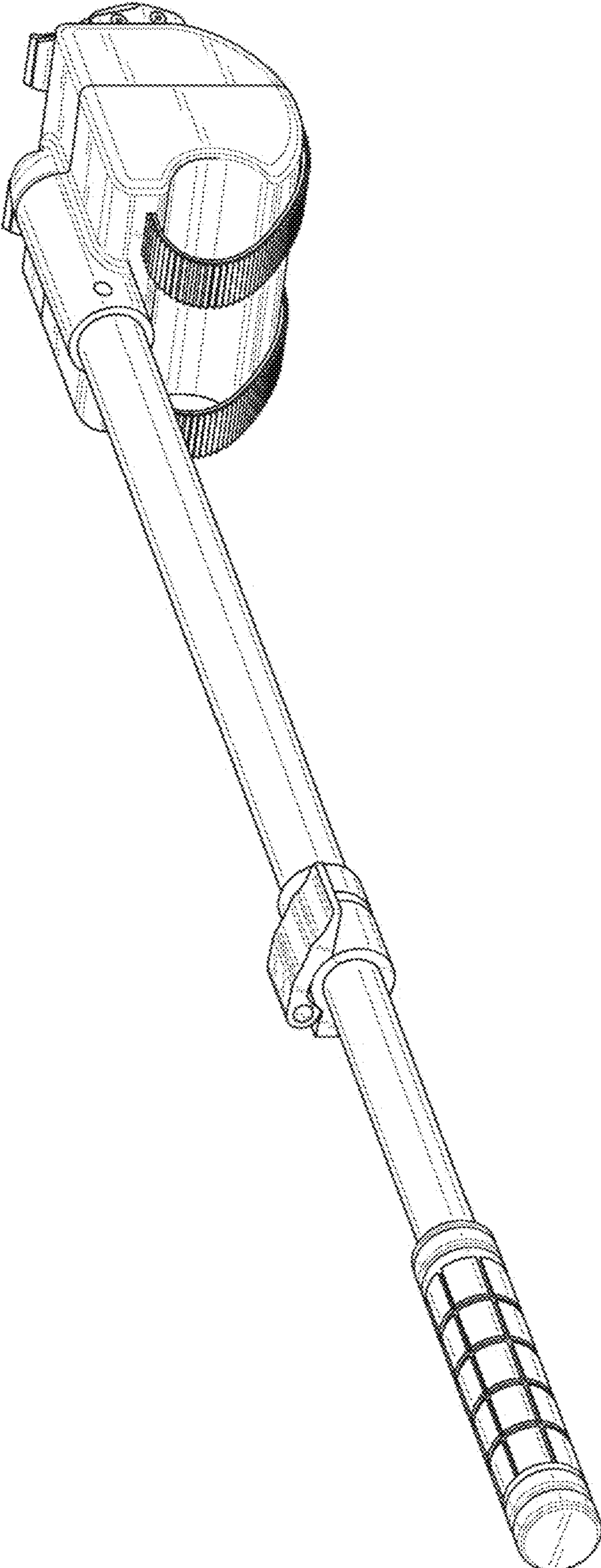


FIG. 1

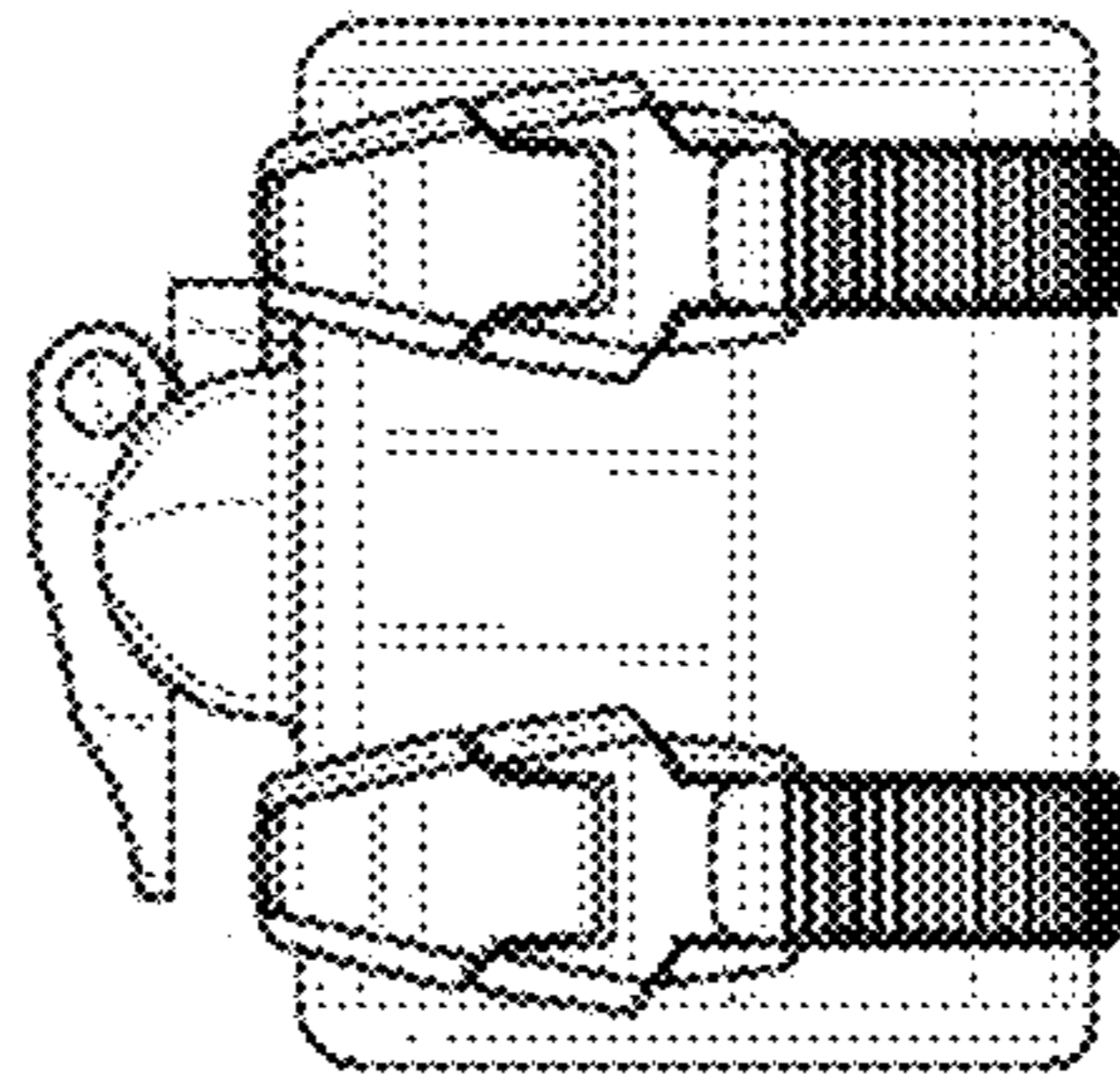


FIG. 3

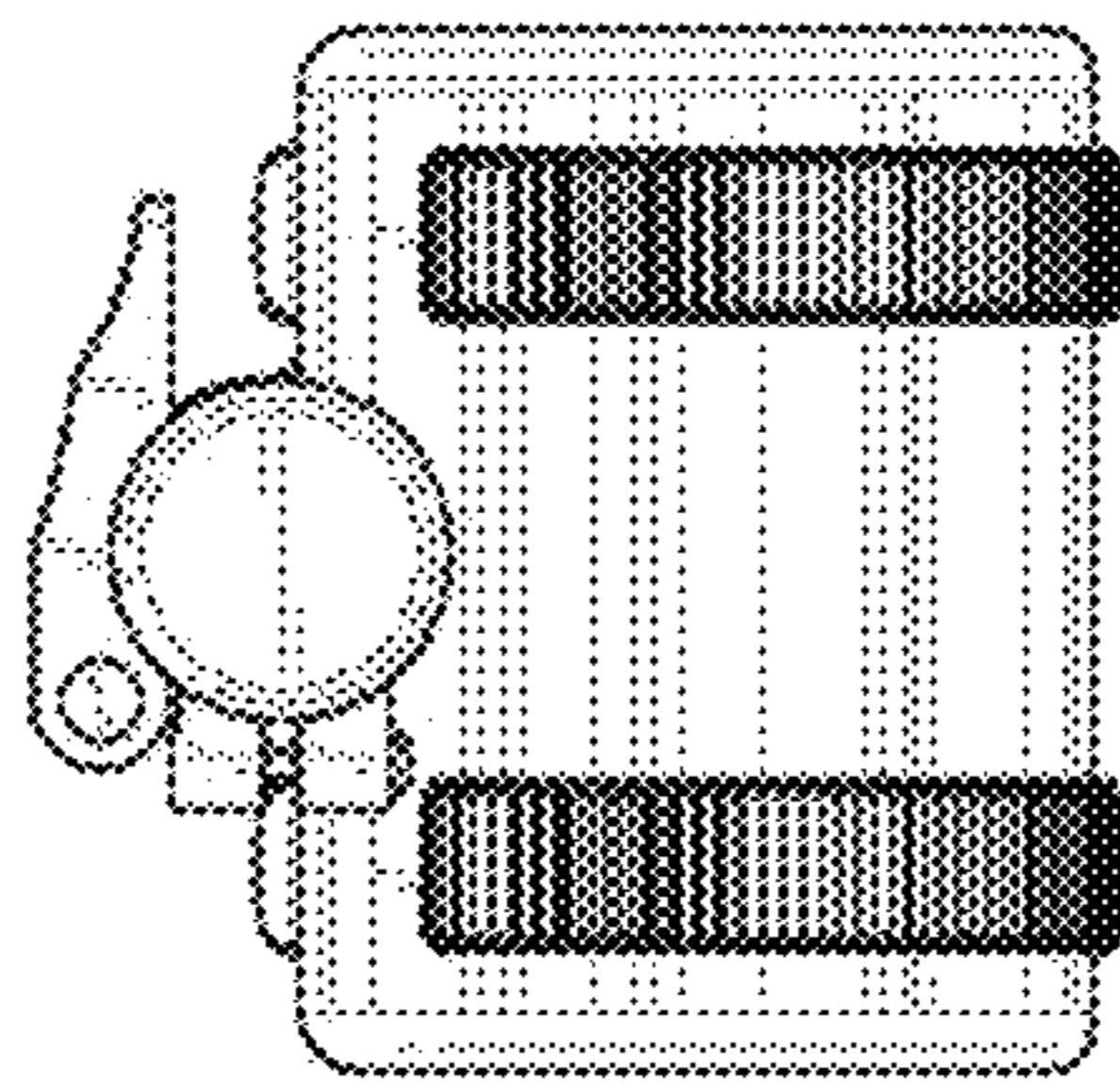


FIG. 2

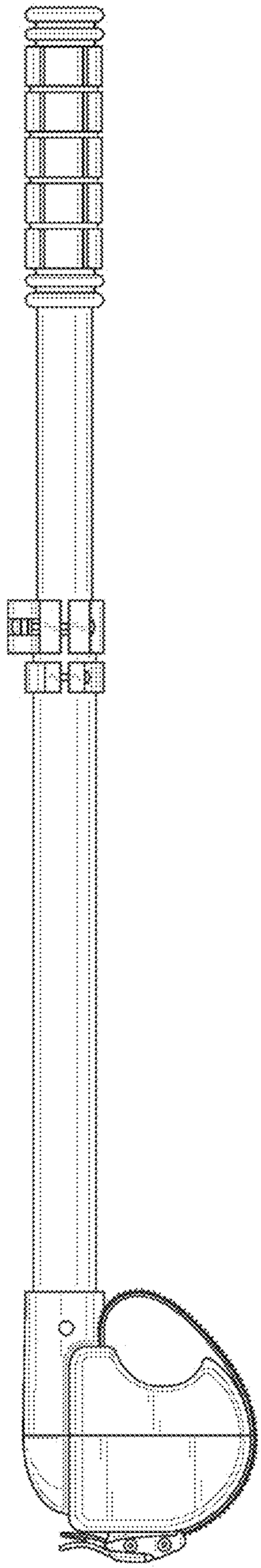


FIG. 4

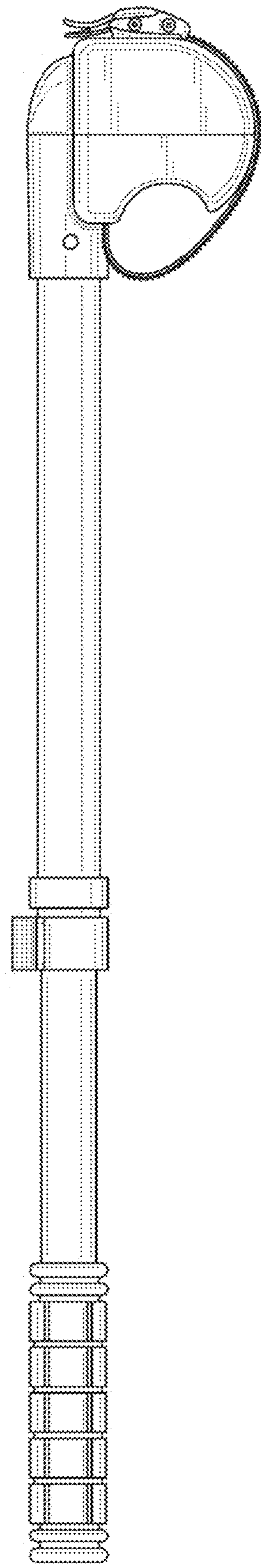


FIG. 5

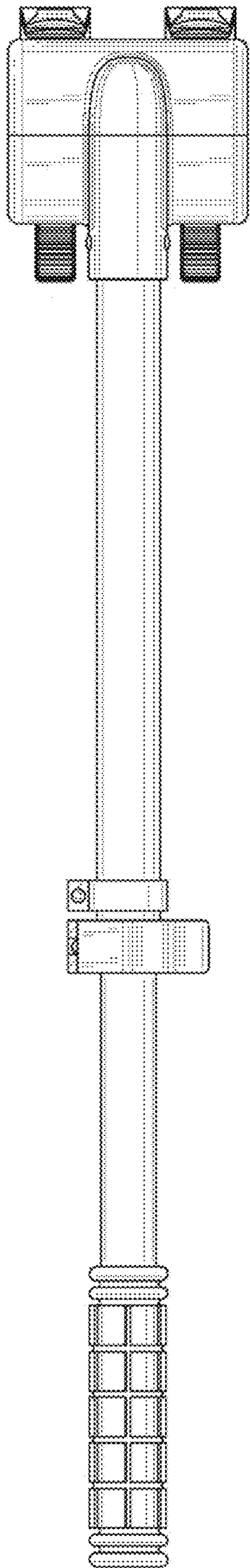


FIG. 6

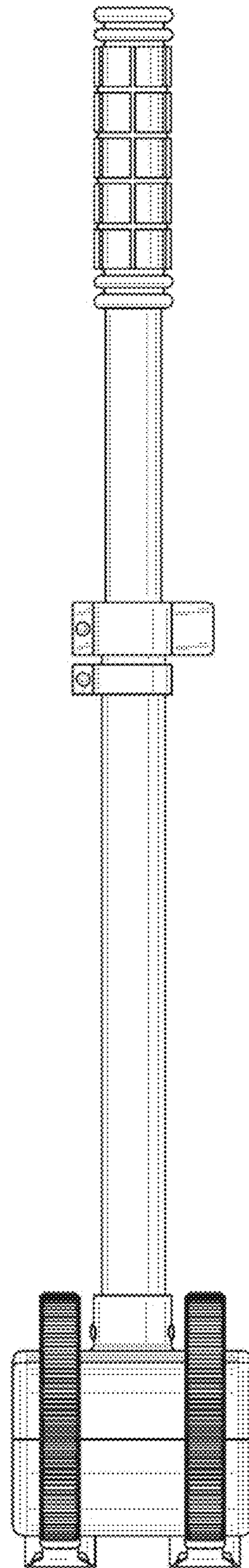


FIG. 7

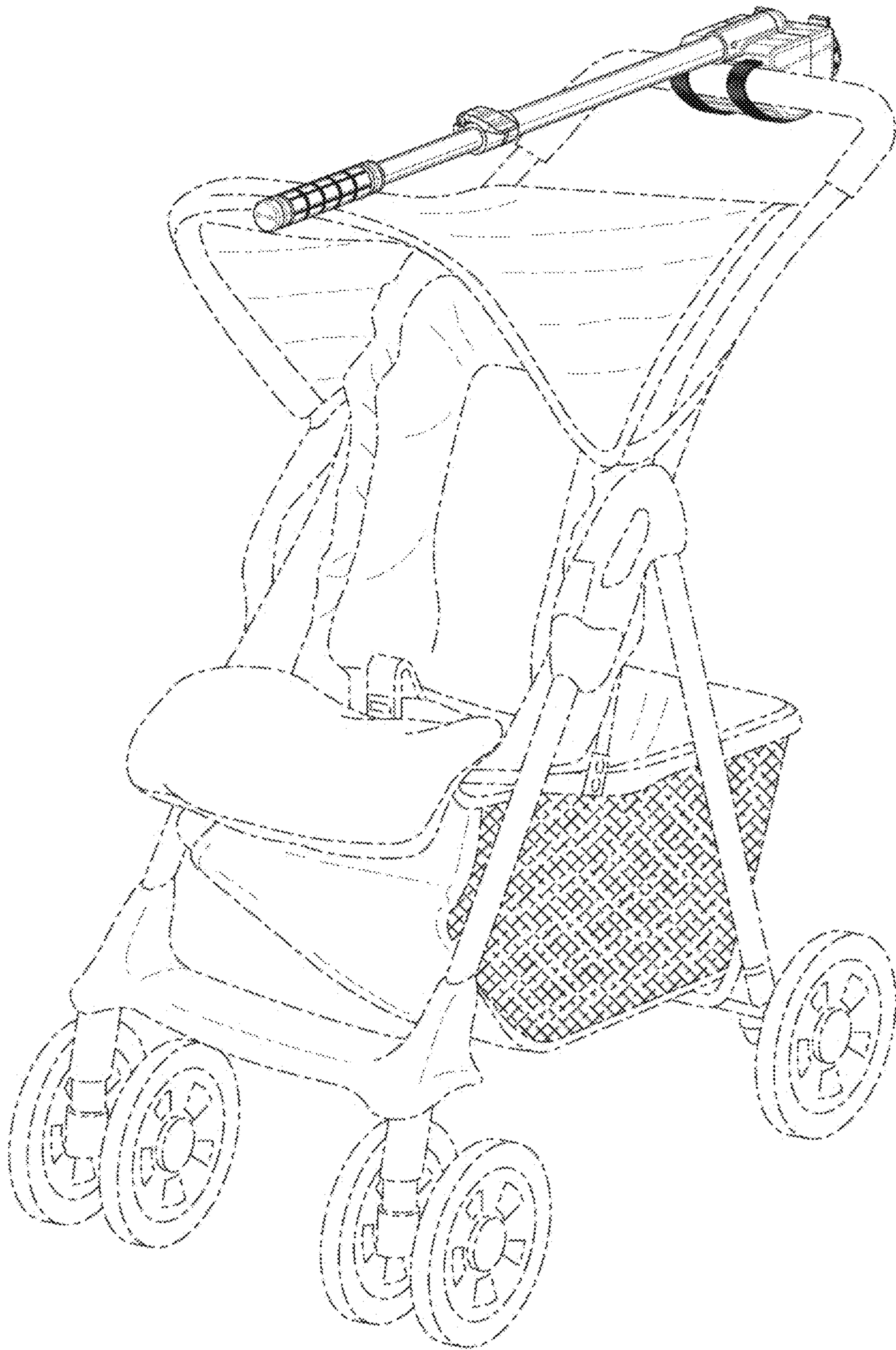


FIG. 8

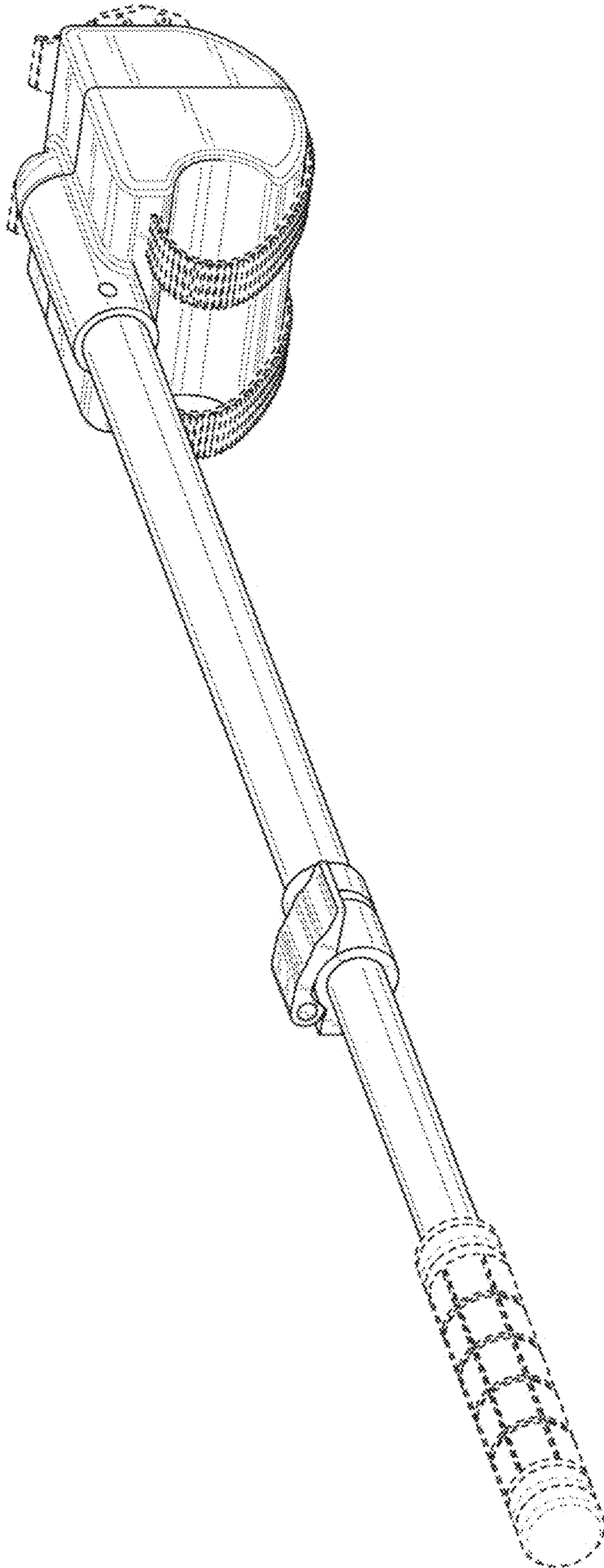


FIG. 9

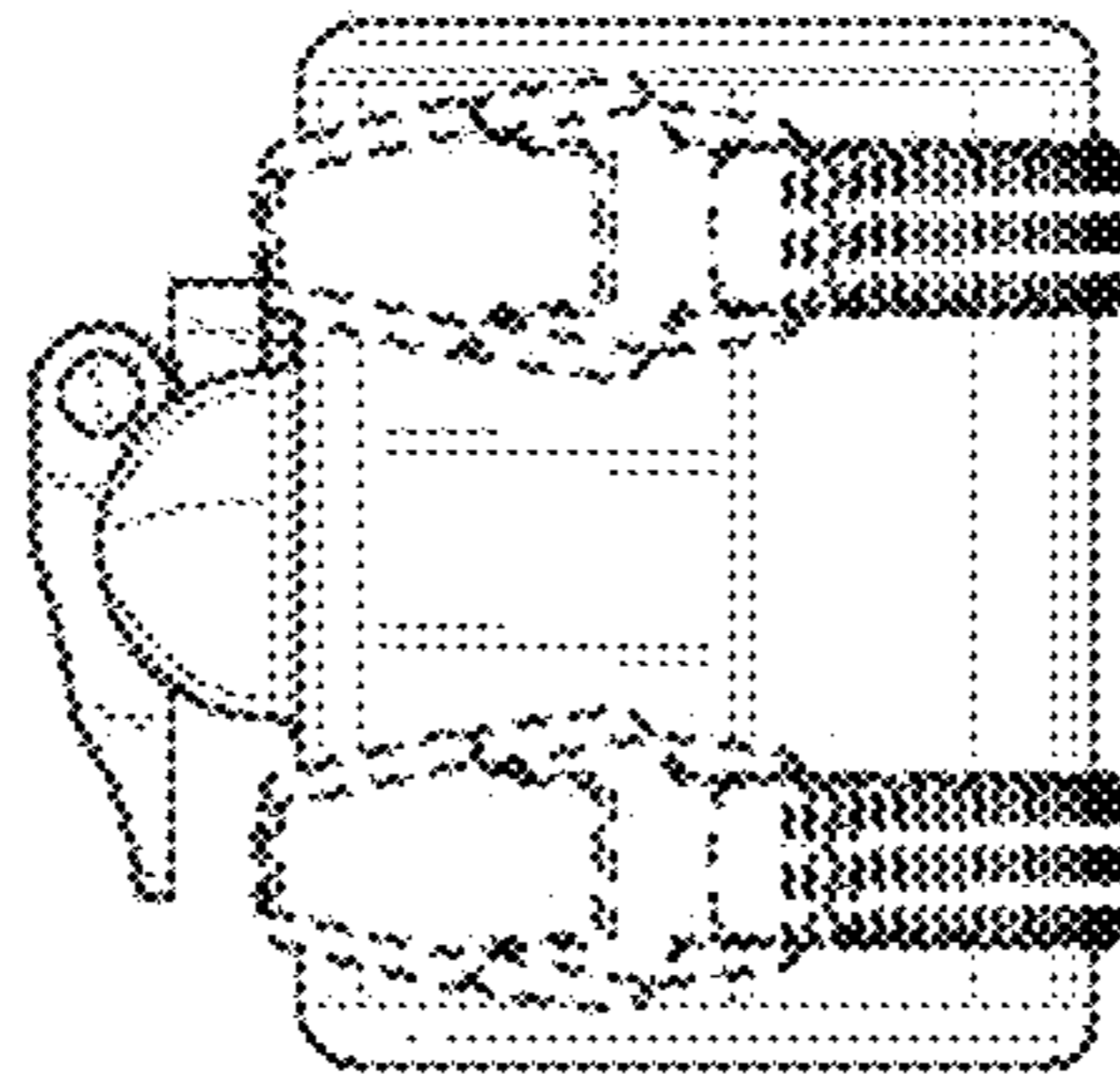


FIG. 11

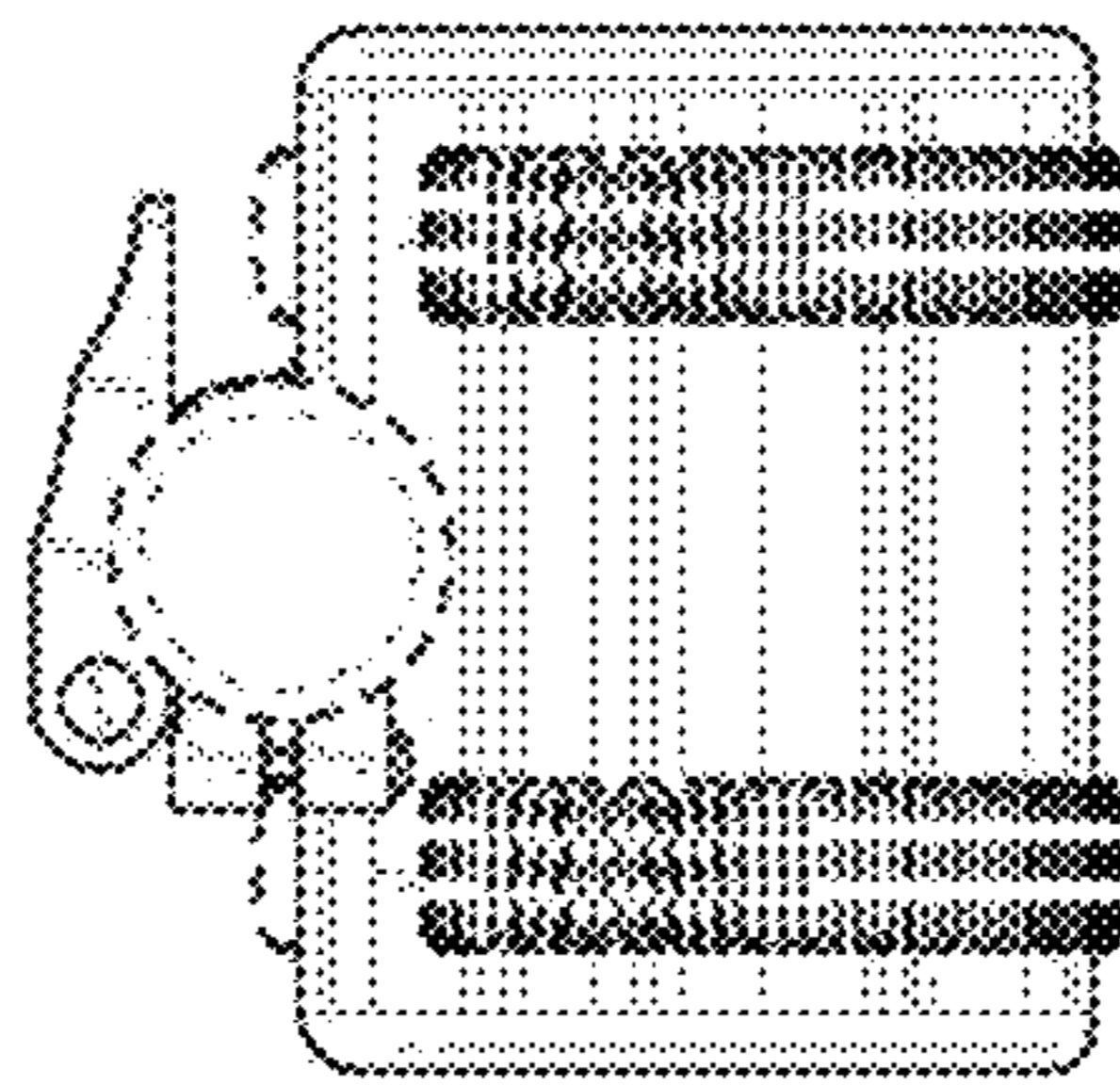


FIG. 10

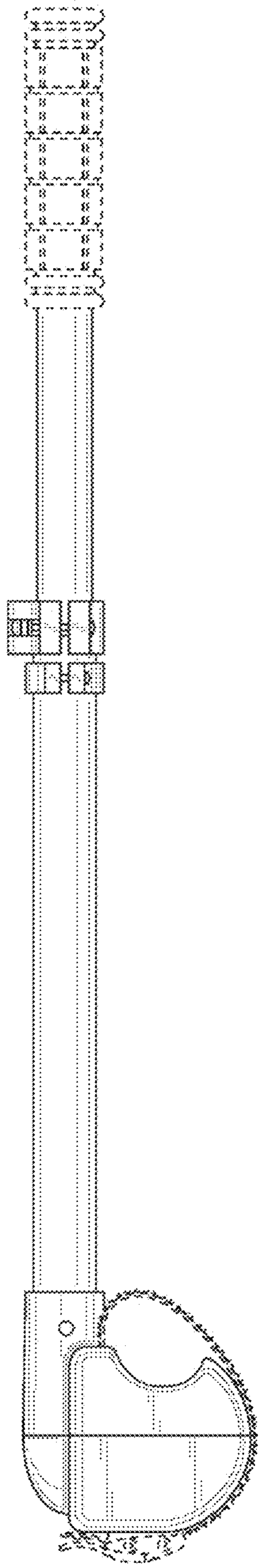


FIG. 12

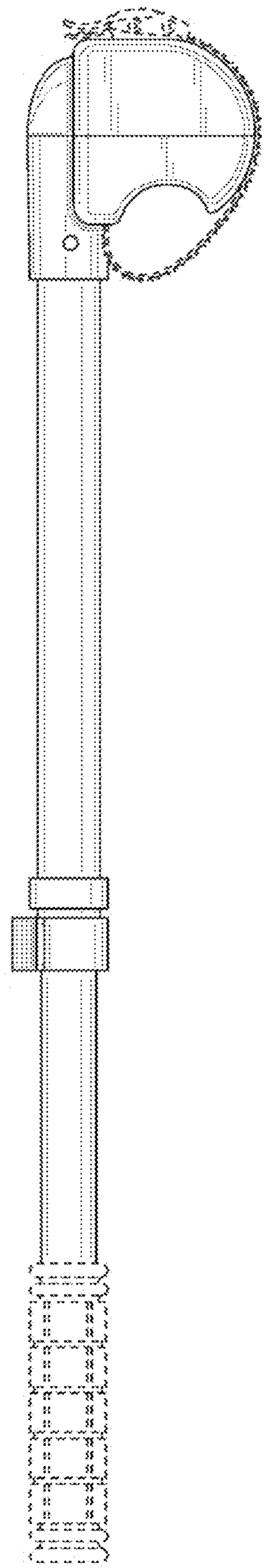


FIG. 13

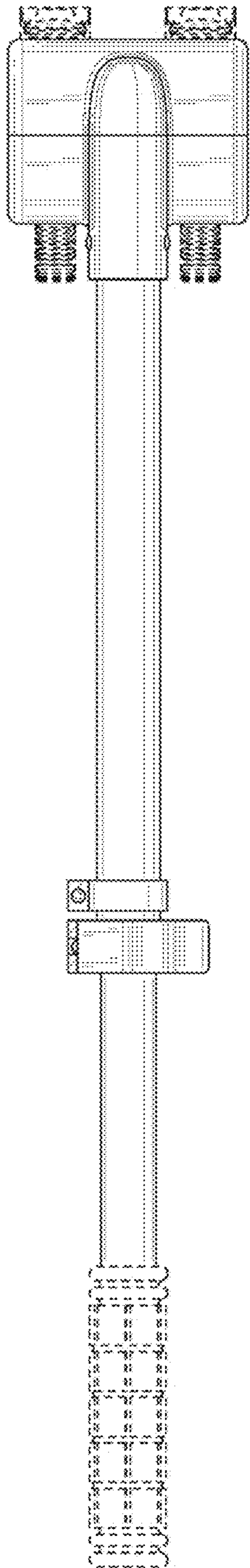


FIG. 14

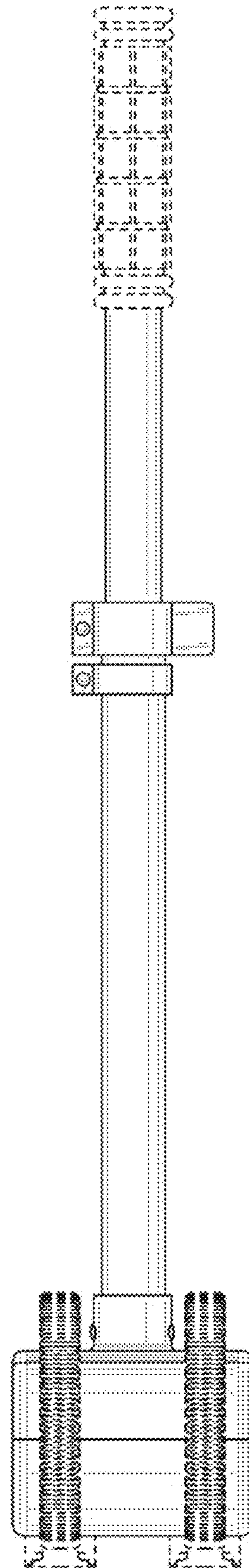


FIG. 15

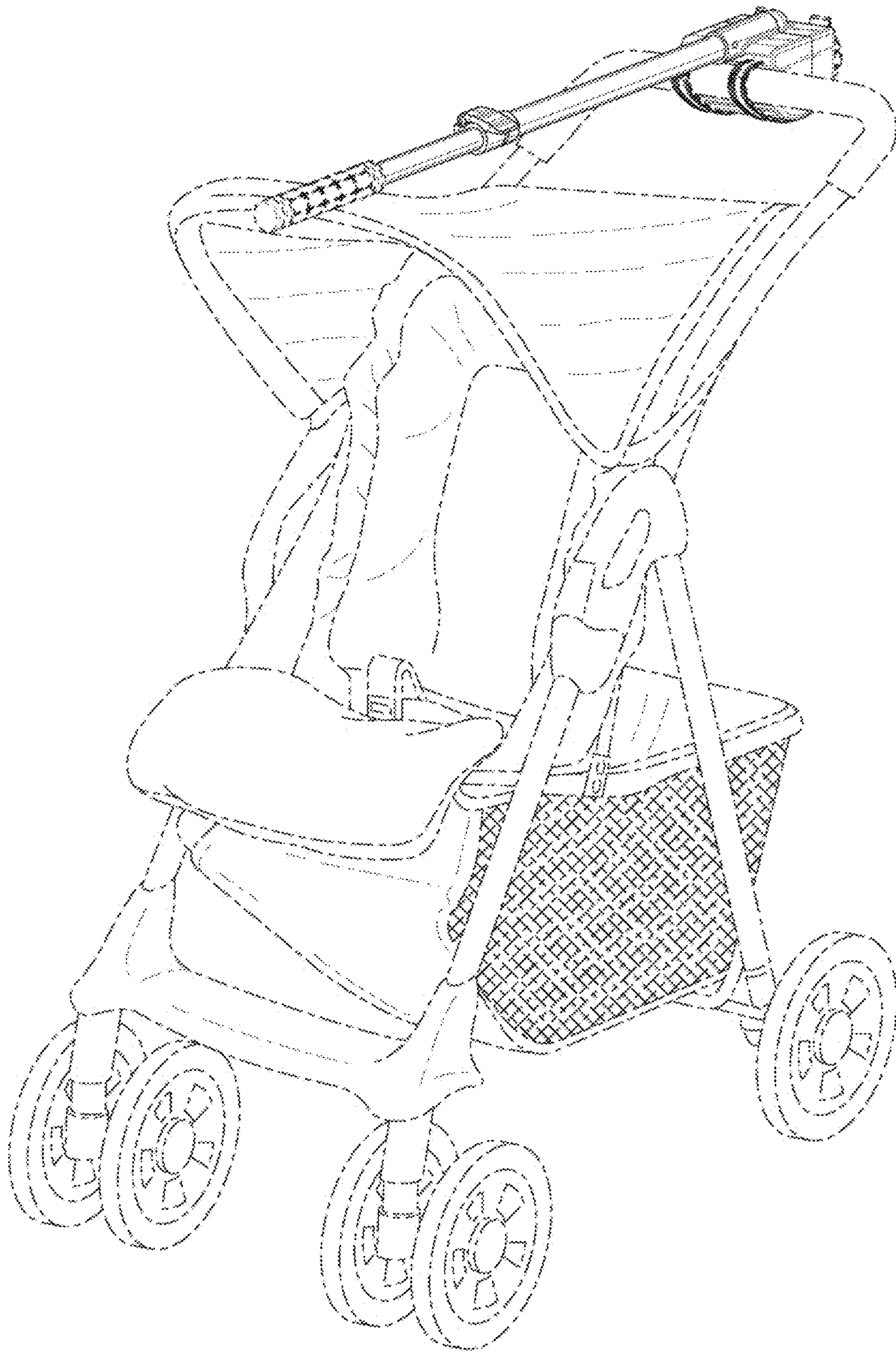


FIG. 16