



US00D966155S

(12) **United States Design Patent**
Osborn et al.

(10) **Patent No.:** **US D966,155 S**

(45) **Date of Patent:** **** Oct. 11, 2022**

(54) **SPROCKET**

(71) Applicant: **GATES CORPORATION**, Denver, CO (US)

(72) Inventors: **Ryan Osborn**, Denver, CO (US); **Bret Cash**, Denver, CO (US)

(73) Assignee: **Gates Corporation**, Denver, CO (US)

(**) Term: **15 Years**

(21) Appl. No.: **29/758,693**

(22) Filed: **Nov. 17, 2020**

(51) **LOC (13) Cl.** **12-11**

(52) **U.S. Cl.**
USPC **D12/123**

(58) **Field of Classification Search**
USPC D6/330, 356, 580; D8/360; D12/1, 7, D12/111, 112, 114, 123, 127, 400; D15/5, 28, 148, 149; D34/29
CPC B62M 9/10; F16H 55/303
See application file for complete search history.

(56) **References Cited**

U.S. PATENT DOCUMENTS

D544,894 S	6/2007	Clarke	
D545,333 S	6/2007	Clarke	
D549,258 S *	8/2007	Zhu	D15/148
D592,107 S	5/2009	Clarke	
D599,255 S *	9/2009	Wickliffe	D12/123
D599,718 S *	9/2009	Wickliffe	D12/123
D604,346 S *	11/2009	Chiang	D12/123
8,057,337 B2	11/2011	Clarke	
D655,225 S *	3/2012	Schroedl	D12/123
D716,191 S *	10/2014	Reiter	F16H 55/303 D12/123

D718,658 S *	12/2014	Cadarette	D12/7
9,222,568 B2	12/2015	Schroedl	
D750,998 S *	3/2016	Wang	D12/123
D765,551 S *	9/2016	Baker, Jr.	D12/123
D774,987 S *	12/2016	Miles	D12/123
D787,380 S *	5/2017	Karol	D12/123
D806,614 S *	1/2018	Turner	D12/123
D811,948 S *	3/2018	Turner	D12/123
D845,839 S *	4/2019	Luman	D12/123
D847,034 S *	4/2019	Luman	D12/114
D867,936 S *	11/2019	Reiter	D12/123
D881,761 S *	4/2020	Turner	D12/123

* cited by examiner

Primary Examiner — Michael C Stout

Assistant Examiner — Fritzgerald L Butac

(74) *Attorney, Agent, or Firm* — Alyssa K. Sandrowitz, Esq.

(57) **CLAIM**

The ornamental design for a sprocket, as shown and described.

DESCRIPTION

FIG. 1 is a front perspective view.

FIG. 2 is a front elevation view.

FIG. 3 is a top plan view.

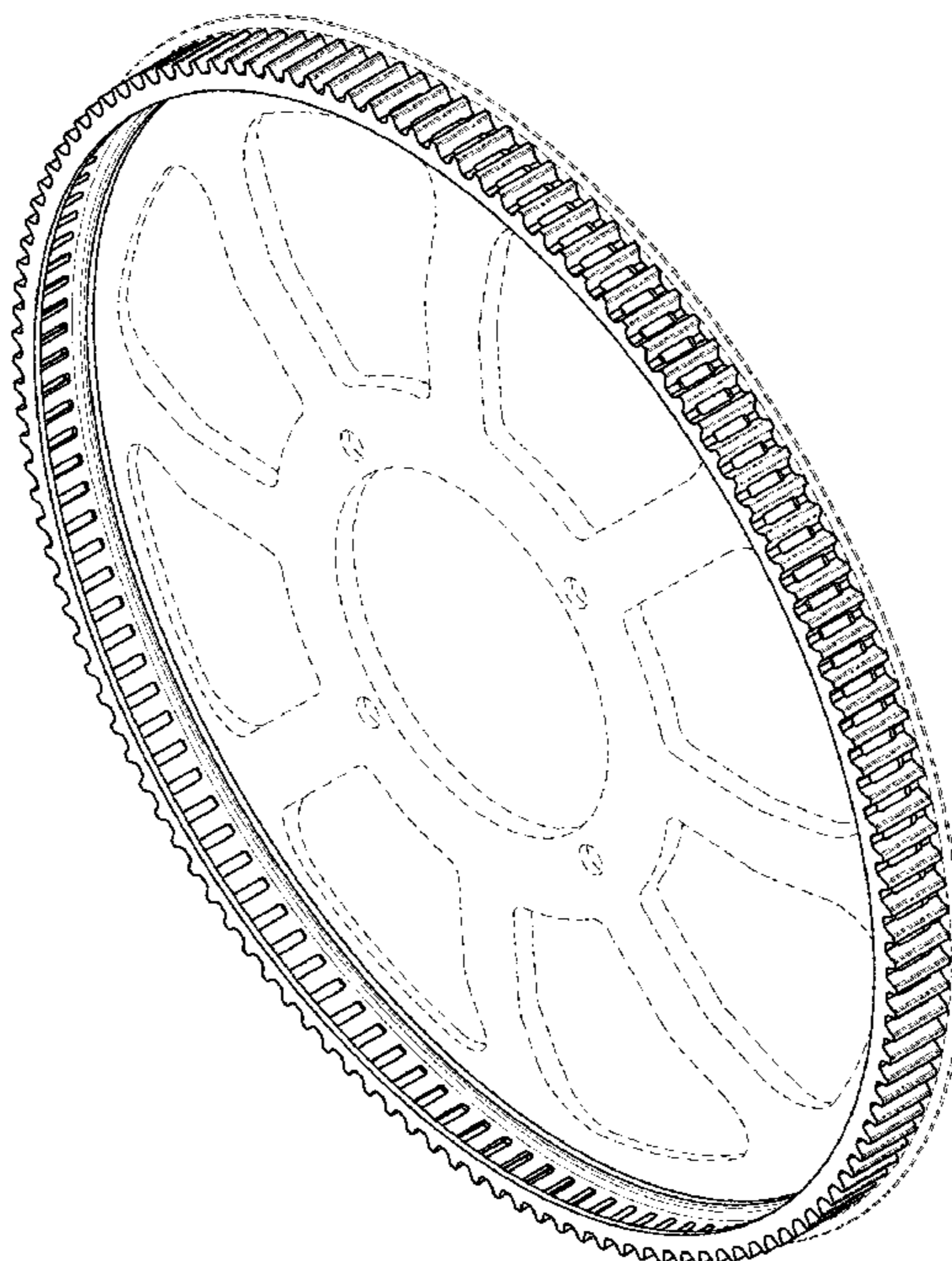
FIG. 4 is a cross-sectional view at line 4-4 in FIG. 3.

FIG. 5 is an enlarged view of the portion marked "A" in FIG. 3; and,

FIG. 6 is an enlarged view of the portion marked "B" in FIG. 2.

The broken lines shown on the sprocket are included for the purpose of illustrating portions of the sprocket which form no part of the claimed design.

1 Claim, 2 Drawing Sheets



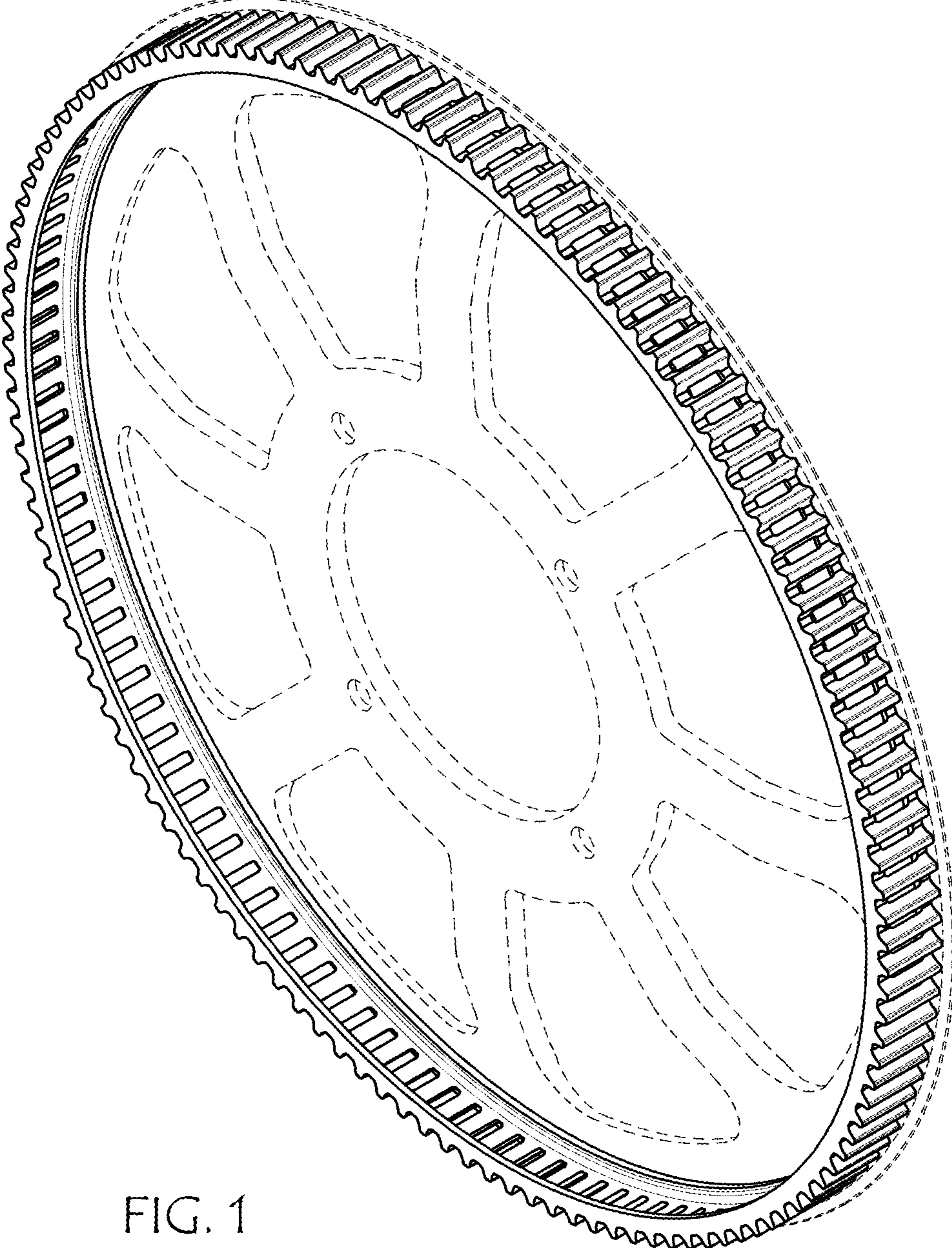


FIG. 1

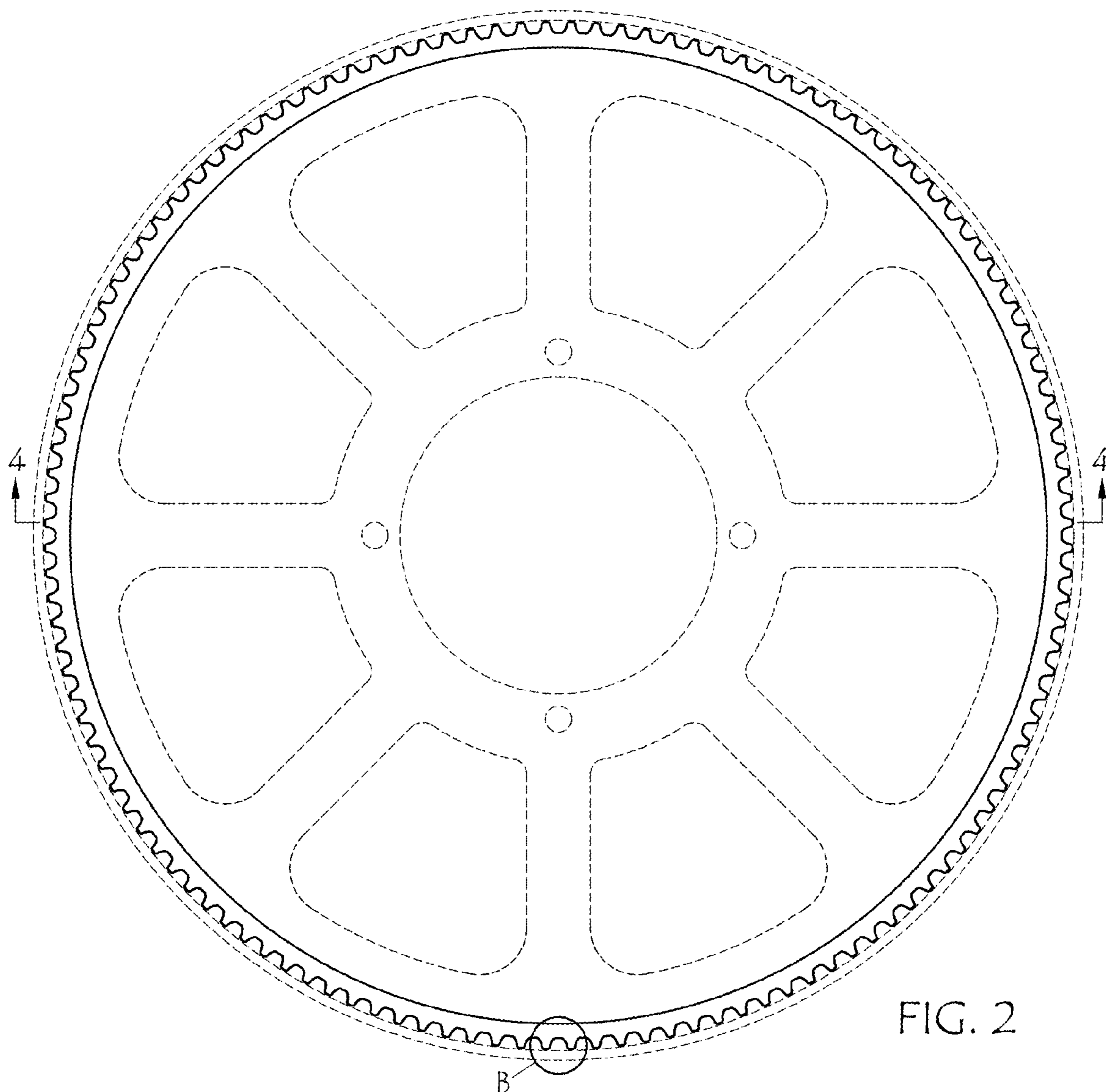


FIG. 2

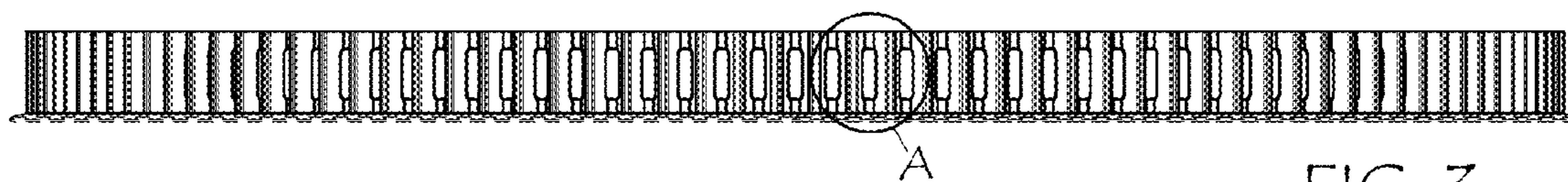


FIG. 3



FIG. 4

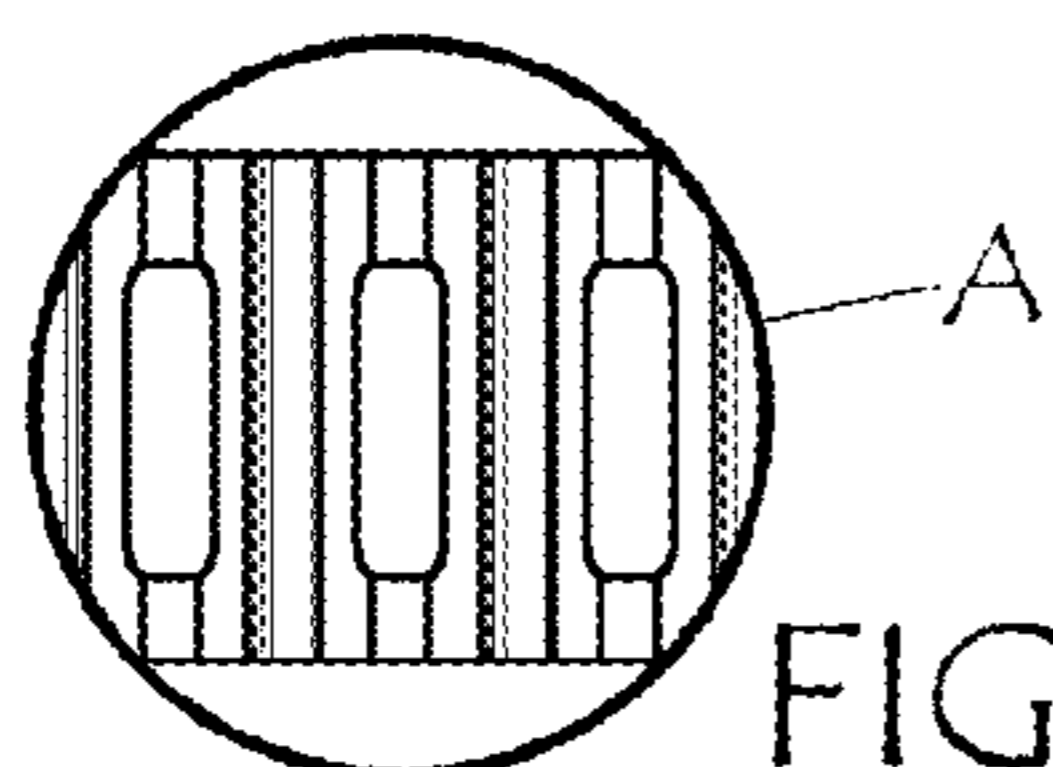


FIG. 5

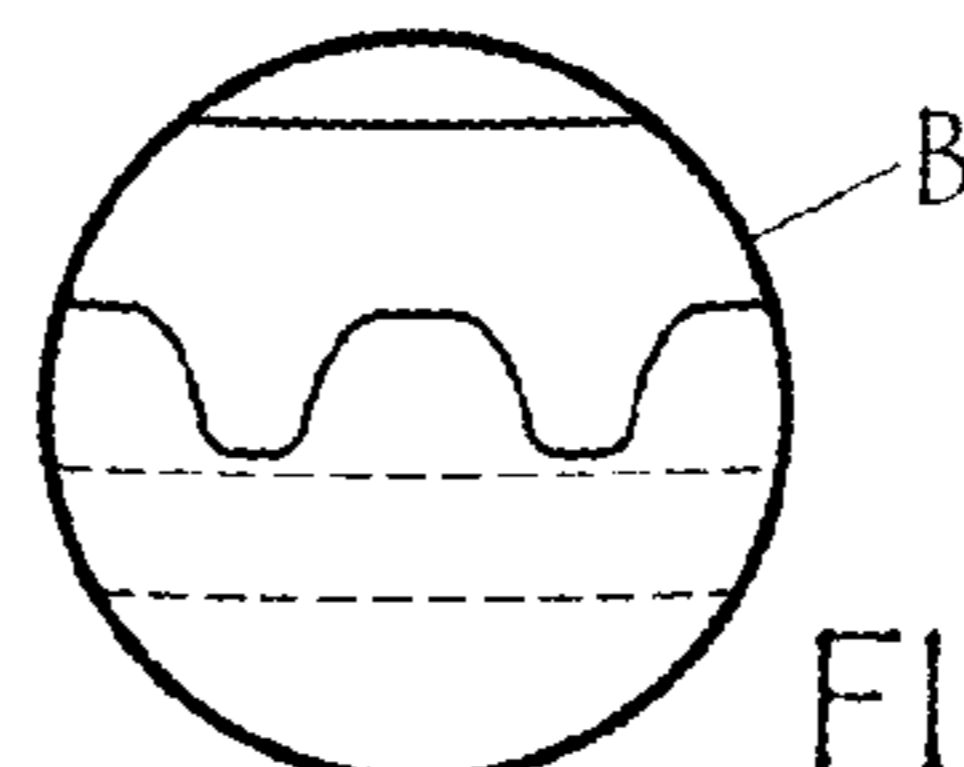


FIG. 6