



US00D966154S

(12) **United States Design Patent**
Xu et al.

(10) **Patent No.:** **US D966,154 S**
(45) **Date of Patent:** **** Oct. 11, 2022**

(54) **MOTORCYCLE**
(71) Applicant: **ZHEJIANG TAOTAO VEHICLES CO., LTD**, Zhejiang (CN)
(72) Inventors: **Jie Xu**, Zhejiang (CN); **Guidong Lou**, Zhejiang (CN); **Junhui Li**, Zhejiang (CN); **Yali Ying**, Zhejiang (CN); **Weihao Liu**, Zhejiang (CN)
(73) Assignee: **ZHEJIANG TAOTAO VEHICLES CO., LTD**, Zhejiang (CN)

D395,849 S * 7/1998 Maruyama D12/110
D419,922 S * 2/2000 Yamase D12/110
D431,501 S * 10/2000 Yamamoto D12/110
D456,315 S * 4/2002 Sawabe D12/110
D482,639 S * 11/2003 Yamamoto D12/110
D497,329 S * 10/2004 Yamamoto D12/110
D497,330 S * 10/2004 Fukuyama D12/110
D501,431 S * 2/2005 Hirano D12/110
D513,481 S * 1/2006 Lin D12/110
D517,956 S * 3/2006 Kishi D12/110
D523,783 S * 6/2006 Sugimoto D12/110
D526,249 S * 8/2006 Tanaka D12/110
D535,587 S * 1/2007 Yin D12/110
D549,136 S * 8/2007 Yu D12/110

(Continued)

(**) Term: **15 Years**
(21) Appl. No.: **29/769,717**
(22) Filed: **Feb. 8, 2021**

(30) **Foreign Application Priority Data**

Dec. 4, 2020 (CN) 202030747427.4

(51) **LOC (13) Cl.** **12-11**
(52) **U.S. Cl.**
USPC **D12/110**

(58) **Field of Classification Search**
USPC D12/110, 111, 117; D21/432, 538
CPC B62K 11/00; B62K 11/02; B62K 11/04;
B62K 11/10; B62K 17/00; B62K 19/00;
B62K 2202/00

See application file for complete search history.

(56) **References Cited**

U.S. PATENT DOCUMENTS

D311,507 S * 10/1990 Sasaki D12/110
D312,807 S * 12/1990 Kohama D12/110
D380,989 S * 7/1997 Abe D12/110
D384,600 S * 10/1997 Miwa D12/110
D384,601 S * 10/1997 Hiruma D12/110
D385,226 S * 10/1997 Mogi D12/110
D387,017 S * 12/1997 Wakita D12/110

OTHER PUBLICATIONS

“DB10SA.” Tao Motor., Oct. 20, 2020 [online], [retrieved on May 25, 2022]. Retrieved from the Internet <URL: <http://www.taotaomotor.com/product/db10sa/>>.*

(Continued)

Primary Examiner — Darlington Ly

(74) *Attorney, Agent, or Firm* — JCIP Global Inc.

(57) **CLAIM**

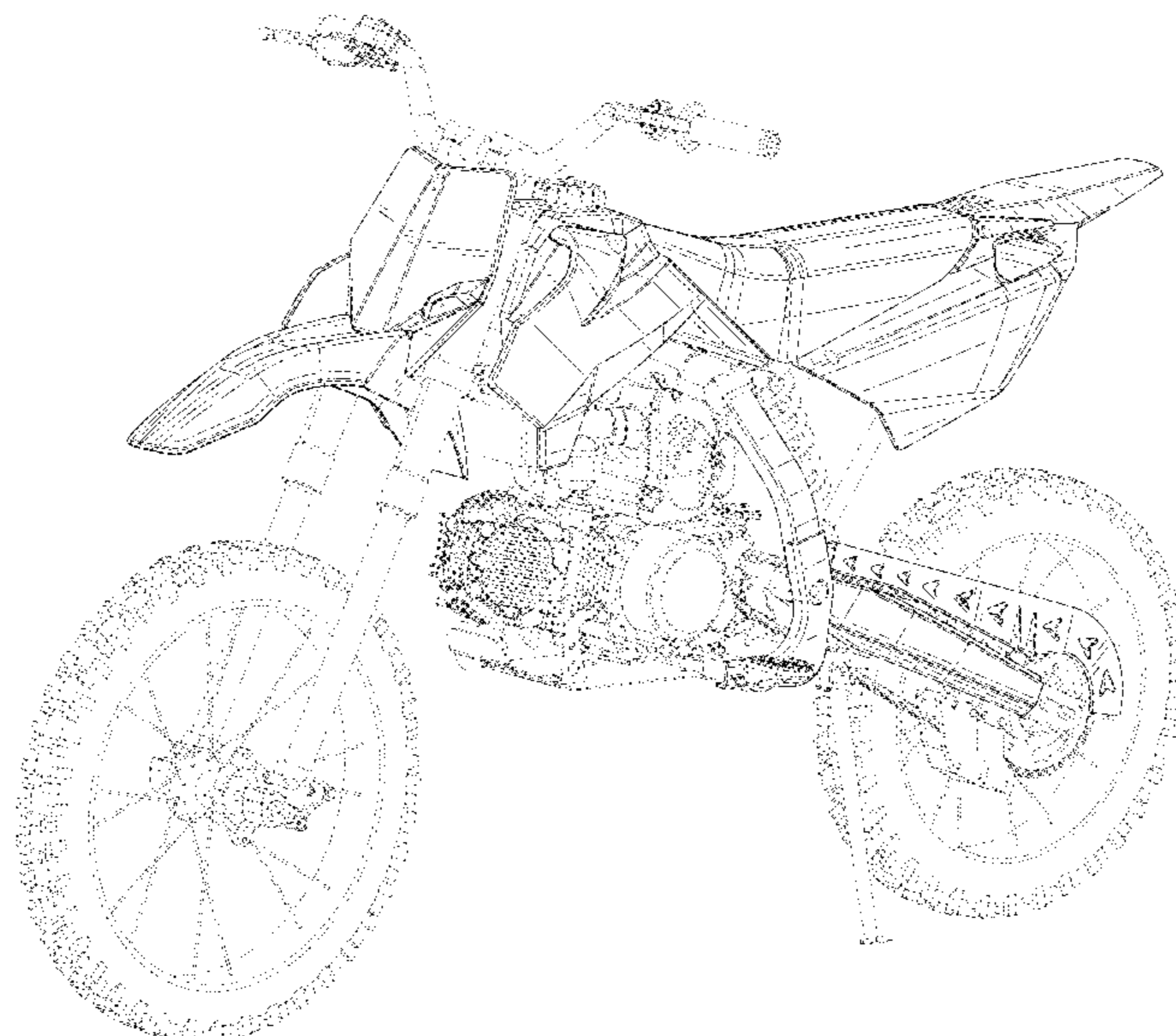
The ornamental design for a motorcycle, as shown and described.

DESCRIPTION

FIG. 1 is a front and left side perspective view of a motorcycle embodying our new design; FIG. 2 is a front elevation view thereof; FIG. 3 is a rear elevation view thereof; FIG. 4 is a right side perspective view thereof; FIG. 5 is a left side elevation view thereof; FIG. 6 is a top plan view thereof; and, FIG. 7 is a bottom plan view thereof.

The broken lines in the drawings illustrate portions of the motorcycle that form no part of the claimed design.

1 Claim, 7 Drawing Sheets



(56)

References Cited

U.S. PATENT DOCUMENTS

D549,618 S * 8/2007 Miyata D12/110
 D559,155 S * 1/2008 Sakata D12/110
 D564,418 S * 3/2008 Miyata D12/110
 D565,473 S * 4/2008 Hohdorf D12/110
 D566,626 S * 4/2008 Sakata D12/110
 D580,827 S * 11/2008 Buckan D12/110
 D581,840 S * 12/2008 Ichihara D12/110
 D603,300 S * 11/2009 Fukuyama D12/110
 D609,609 S * 2/2010 Hayashi D12/110
 D609,610 S * 2/2010 Inose D12/110
 D632,226 S * 2/2011 Miyata D12/110
 D735,087 S * 7/2015 Imura D12/110
 D738,789 S * 9/2015 Inose D12/110
 D754,567 S * 4/2016 Imura D12/110
 D774,962 S * 12/2016 Wakita D12/110
 D786,137 S * 5/2017 Miwa D12/110
 D792,287 S * 7/2017 Kobayashi D12/110
 D798,195 S * 9/2017 Yu D12/110
 D809,433 S * 2/2018 Kobayashi D12/110
 D817,818 S * 5/2018 Imura D12/110
 D867,222 S * 11/2019 Inose D12/110
 D875,614 S * 2/2020 Akita D12/110

D907,534 S * 1/2021 Ying D12/110
 D910,494 S * 2/2021 Kobayashi D12/110
 D933,535 S * 10/2021 Petersson D12/110
 D933,536 S * 10/2021 Petersson D12/110
 D940,599 S * 1/2022 Chambers D12/110
 11,247,743 B2 * 2/2022 Domenech B60K 15/073
 2012/0298437 A1 * 11/2012 Dietz B64C 17/06
 74/5.22
 2022/0001951 A1 * 1/2022 Preis B62J 45/41
 2022/0033022 A1 * 2/2022 Tamura B62J 17/10

OTHER PUBLICATIONS

Mark Kariya. "Off-Road Racebikes—Brandy Richards' 2021 KTM 350 SX-F." *Dirt Rider*, Apr. 28, 2022 [online], [retrieved on May 25, 2022]. Retrieved from the Internet <URL: <https://www.dirt rider.com/story/racing/off-road-racebikes-brandy-richards-2021-ktm-350-sx-f/>>.*

Andrew Oldar. "Yamaha Unveils TY-E Electric Trials Bike." *Dirt Rider*, Mar. 23, 2018 [online], [retrieved on May 25, 2022]. Retrieved from the Internet <URL: <https://www.dirt rider.com/yamaha-unveils-ty-e-electric-trial-bike/>>.*

* cited by examiner

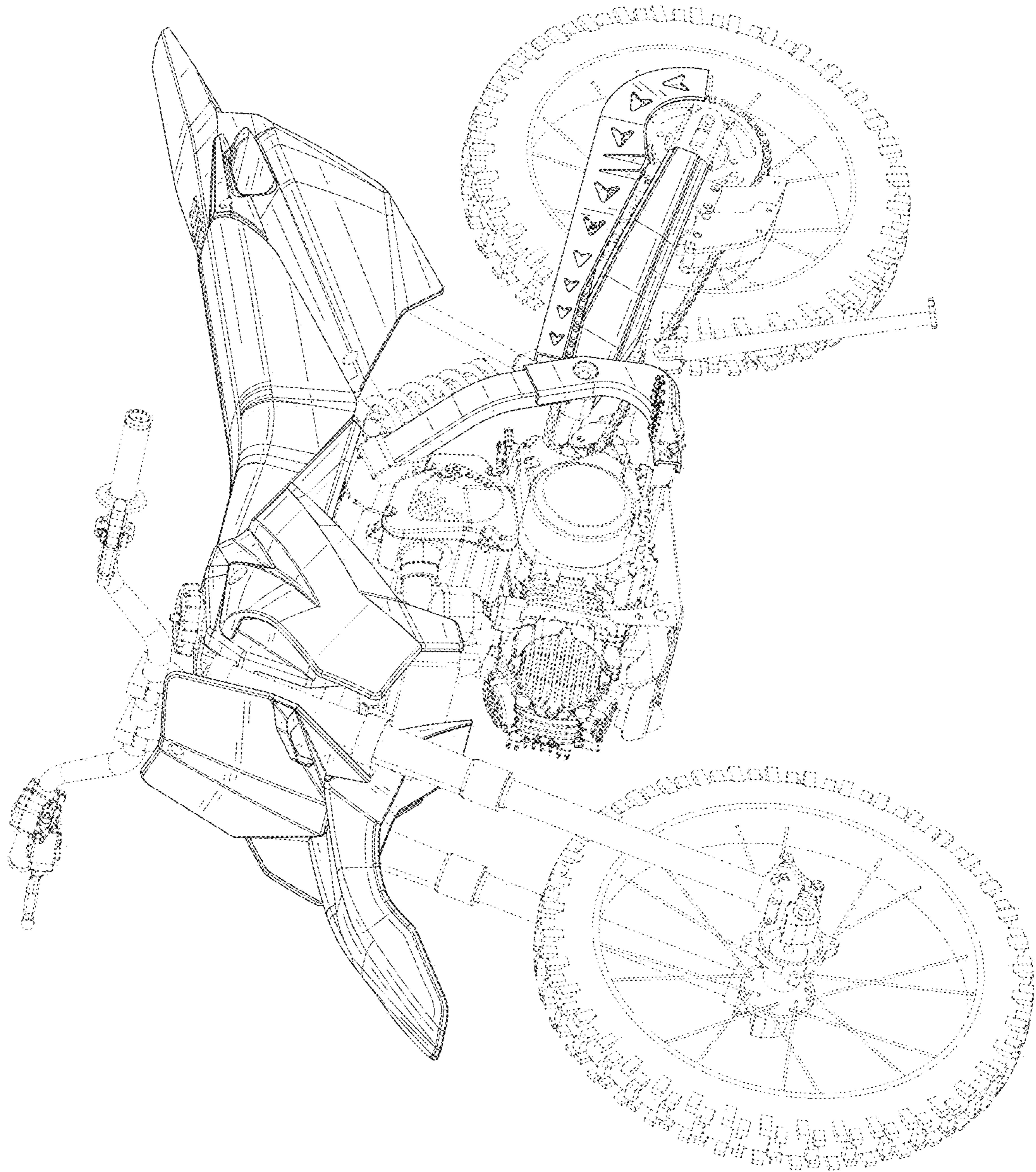


FIG. 1

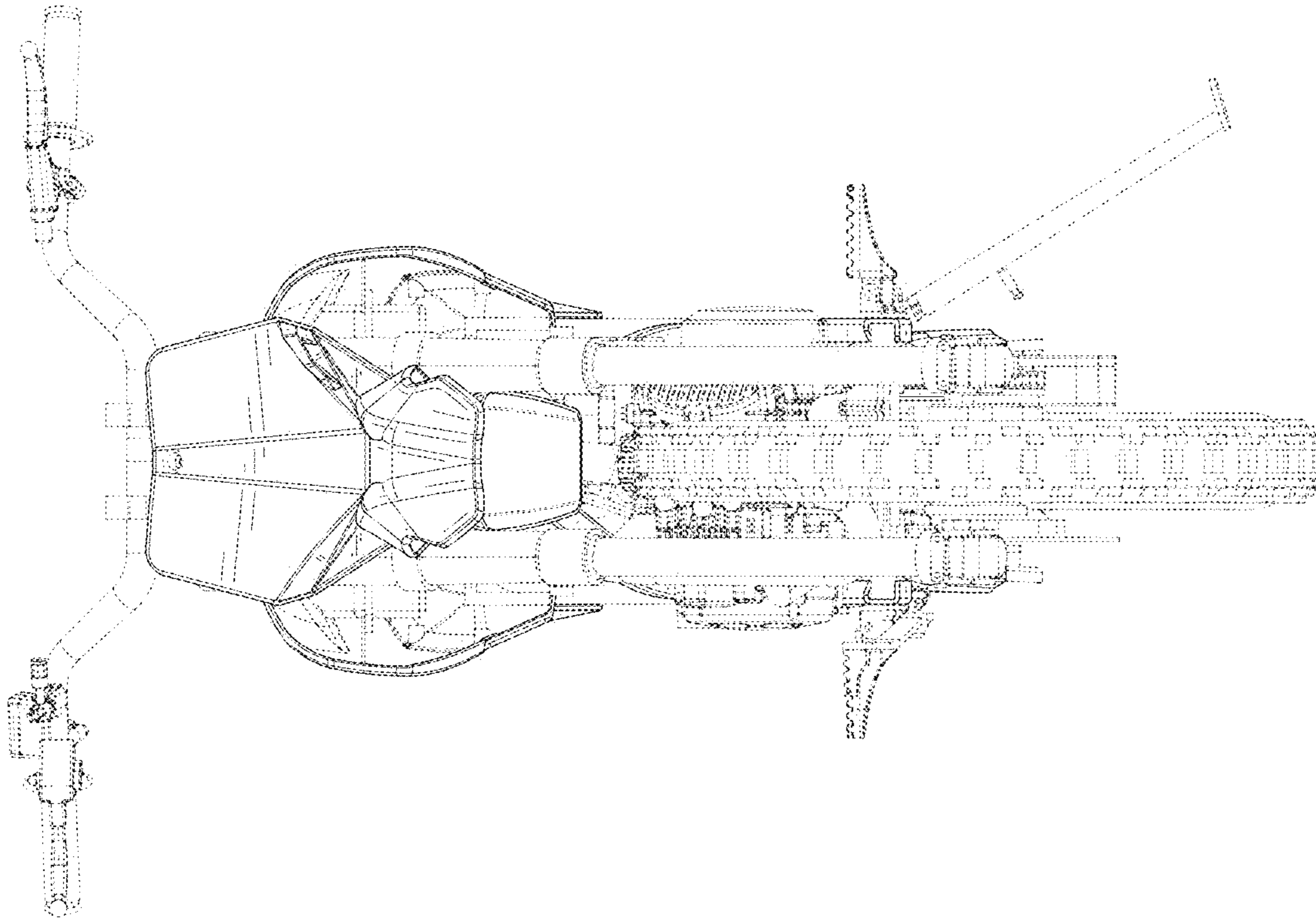


FIG. 2

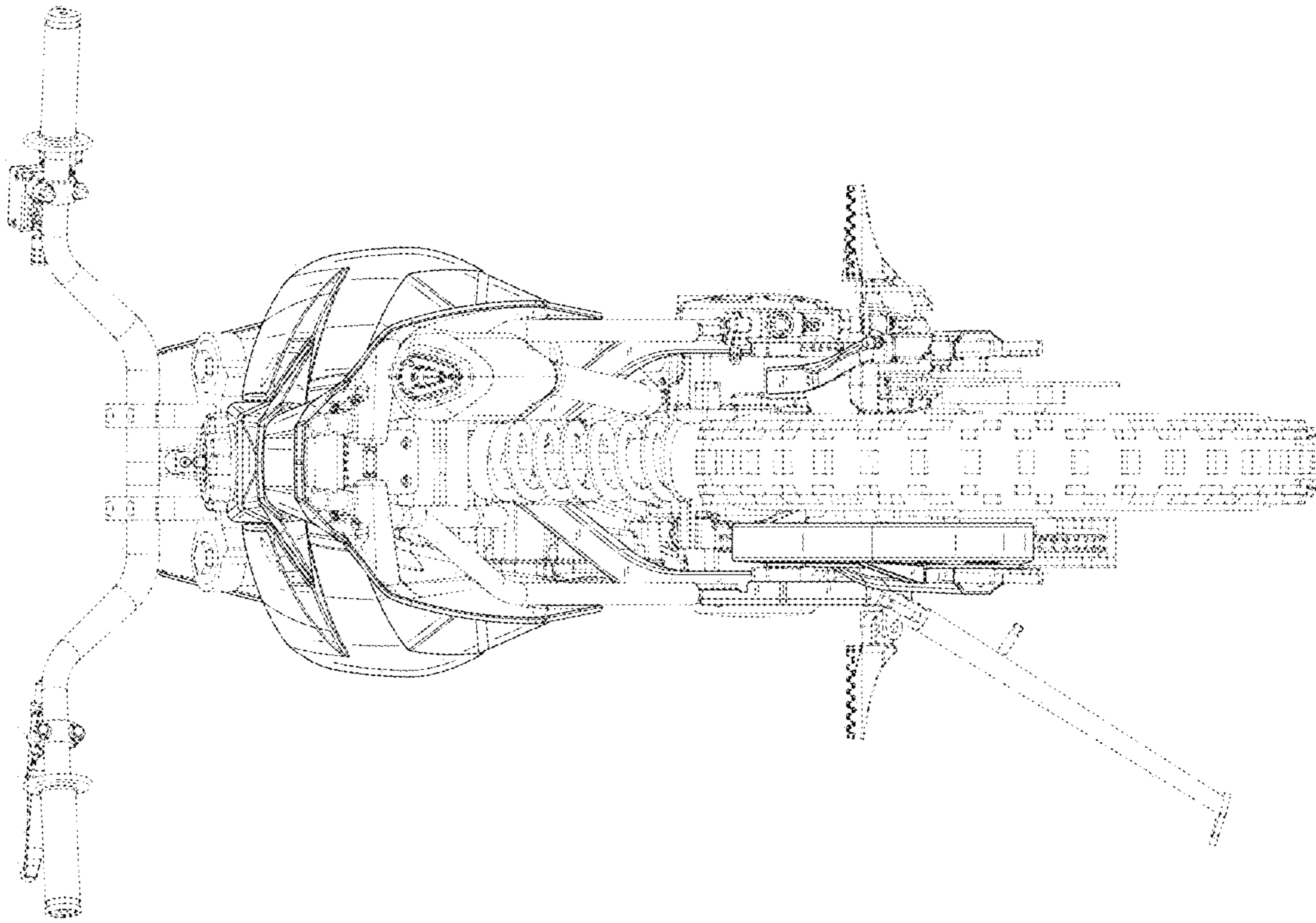


FIG. 3

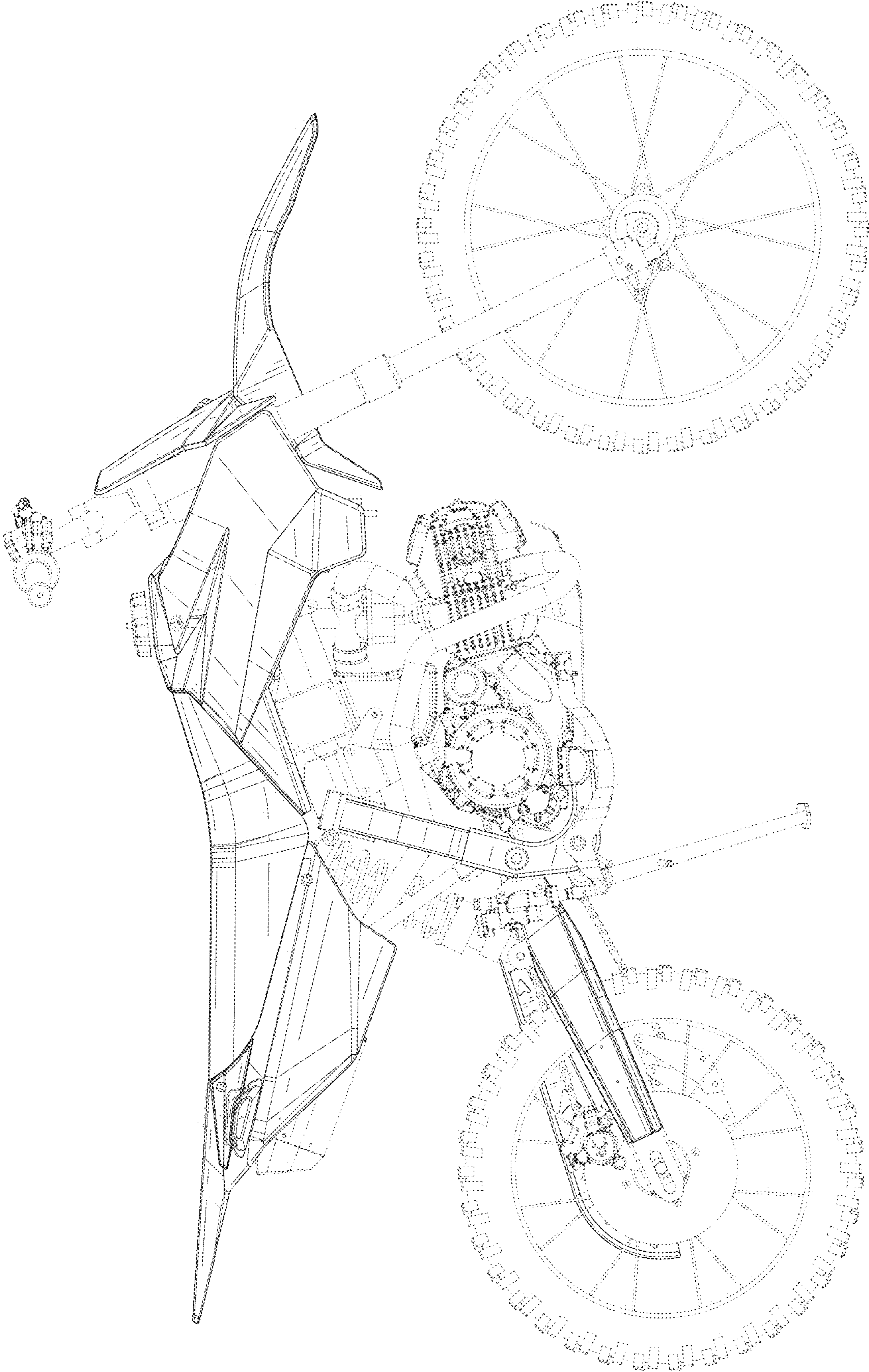


FIG. 4

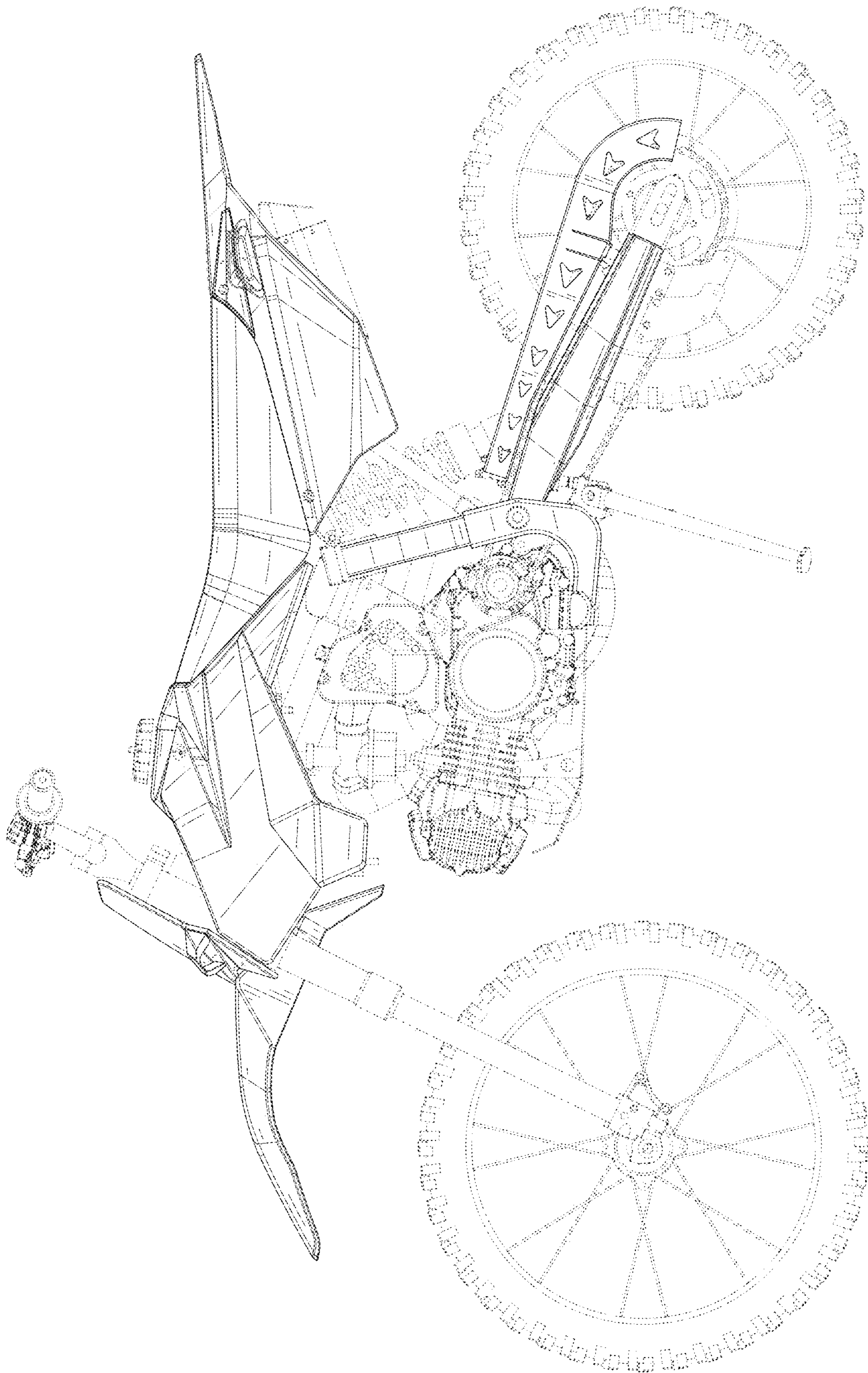


FIG. 5

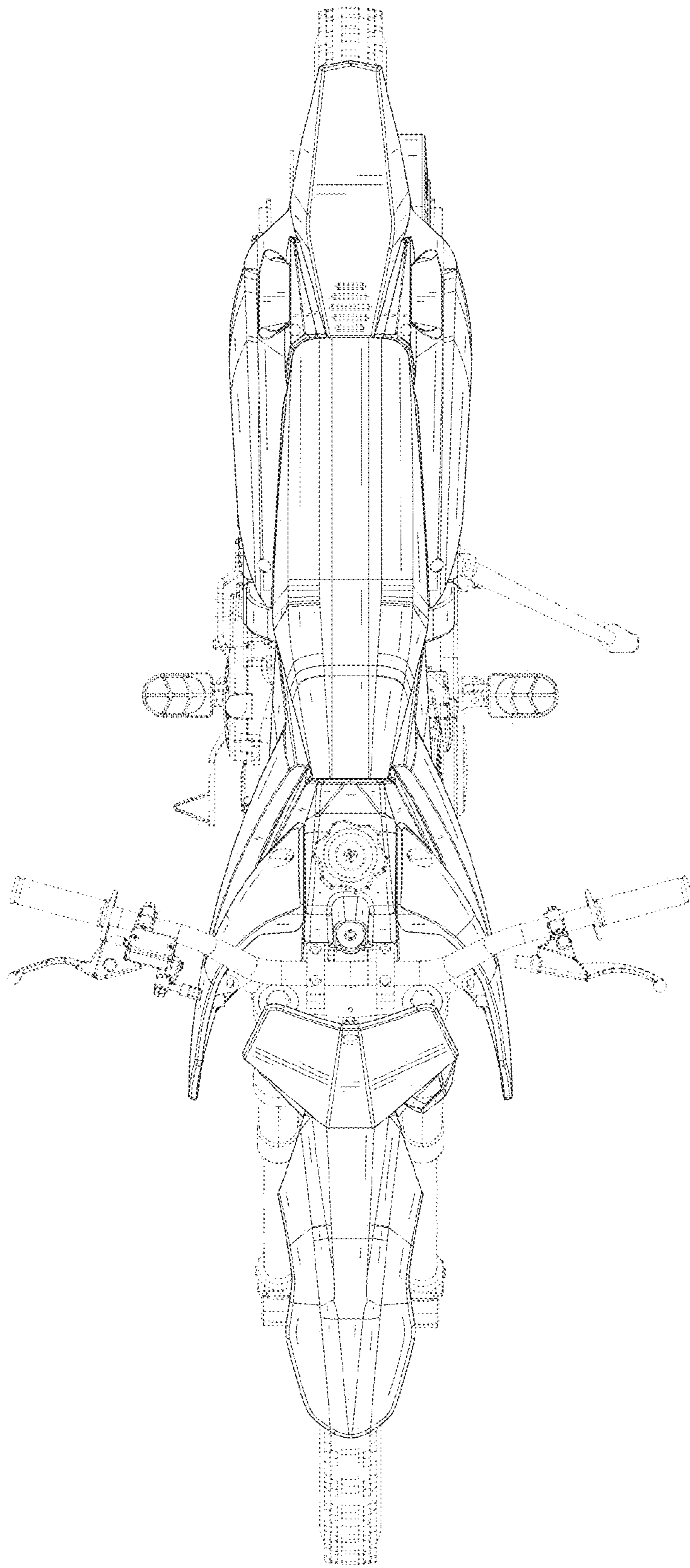


FIG. 6

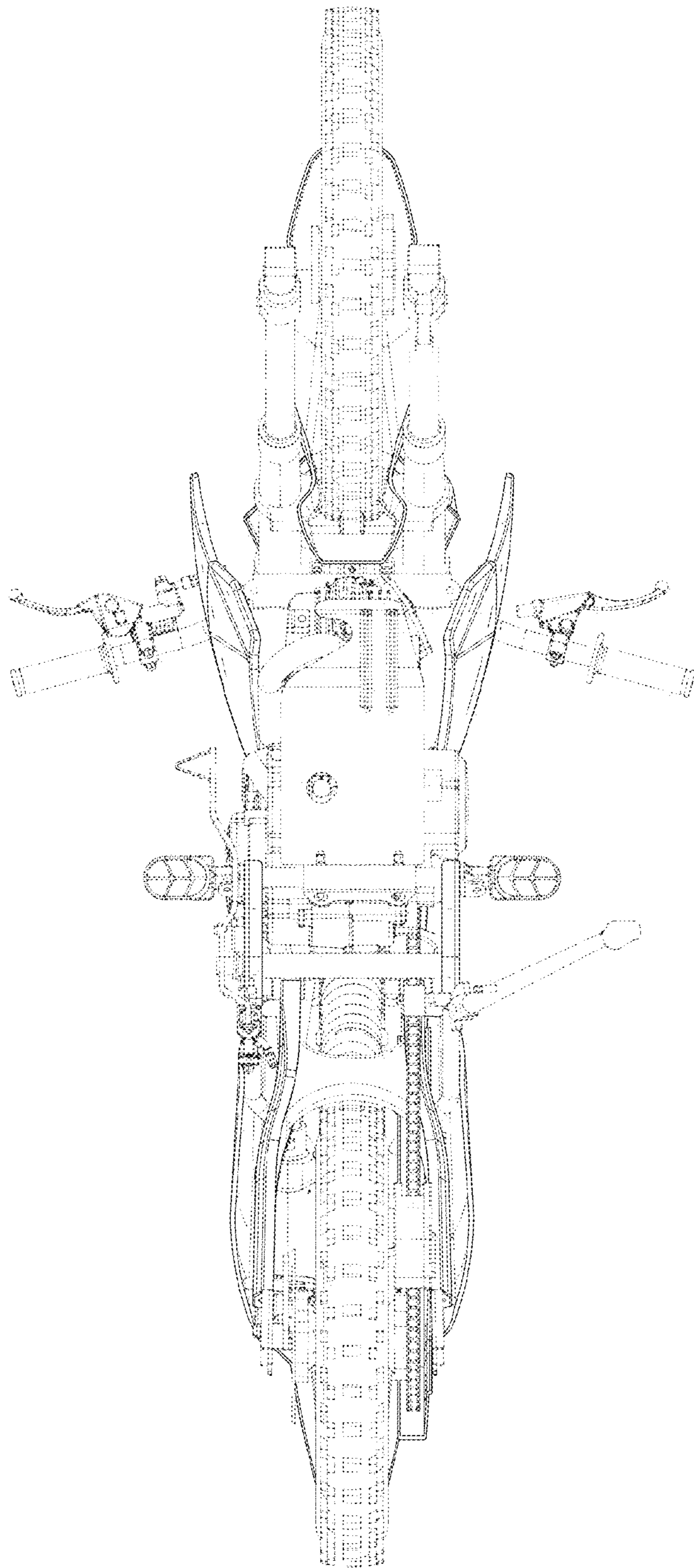


FIG. 7