

US00D966153S

(12) **United States Design Patent** (10) **Patent No.:** **US D966,153 S**
Von Holzhausen et al. (45) **Date of Patent:** **** Oct. 11, 2022**

(54) **ALL-TERRAIN VEHICLE BODY**
(71) Applicant: **TESLA, INC.**, Palo Alto, CA (US)
(72) Inventors: **Franz Von Holzhausen**, Malibu, CA (US); **David Imai**, Los Angeles, CA (US); **Ivan Lampkin**, Redondo Beach, CA (US); **Simon Turac**, San Francisco, CA (US)

D541,704 S * 5/2007 Tanaka D12/107
D542,187 S * 5/2007 Tanaka D12/107
D593,454 S * 6/2009 Sanschagrin D12/107
D594,388 S * 6/2009 Sanschagrin D12/107
D665,705 S * 8/2012 Lepine D12/107
D720,258 S * 12/2014 Takezaki D12/107
D722,537 S * 2/2015 Hsieh D12/107
D805,000 S * 12/2017 Umemoto D12/107
D909,919 S * 2/2021 Ying D12/107

(Continued)

(73) Assignee: **Tesla, Inc.**, Austin, TX (US)
(**) Term: **15 Years**
(21) Appl. No.: **29/714,231**
(22) Filed: **Nov. 21, 2019**
(51) **LOC (13) Cl.** **12-11**
(52) **U.S. Cl.**
USPC **D12/107**
(58) **Field of Classification Search**
USPC D12/3, 86, 87, 107, 110
CPC B60K 5/12; B60K 13/04; B60K 17/354
See application file for complete search history.

OTHER PUBLICATIONS

Fred Lambert. "Watch Tesla Cyberquad DIY electric ATV go 100 mph." Electrek., Aug. 24, 2020 [online], [retrieved on Jan. 25, 2022]. Retrieved from the Internet <URL: https://electrek.co/2020/08/24/tesla-cyberquad-diy-electric-atv-100-mph/>.*

Primary Examiner — Darlington Ly

(74) *Attorney, Agent, or Firm* — Knobbe, Martens, Olson & Bear, LLP

(57) **CLAIM**

We claim the ornamental design for an all-terrain vehicle body, as shown and described.

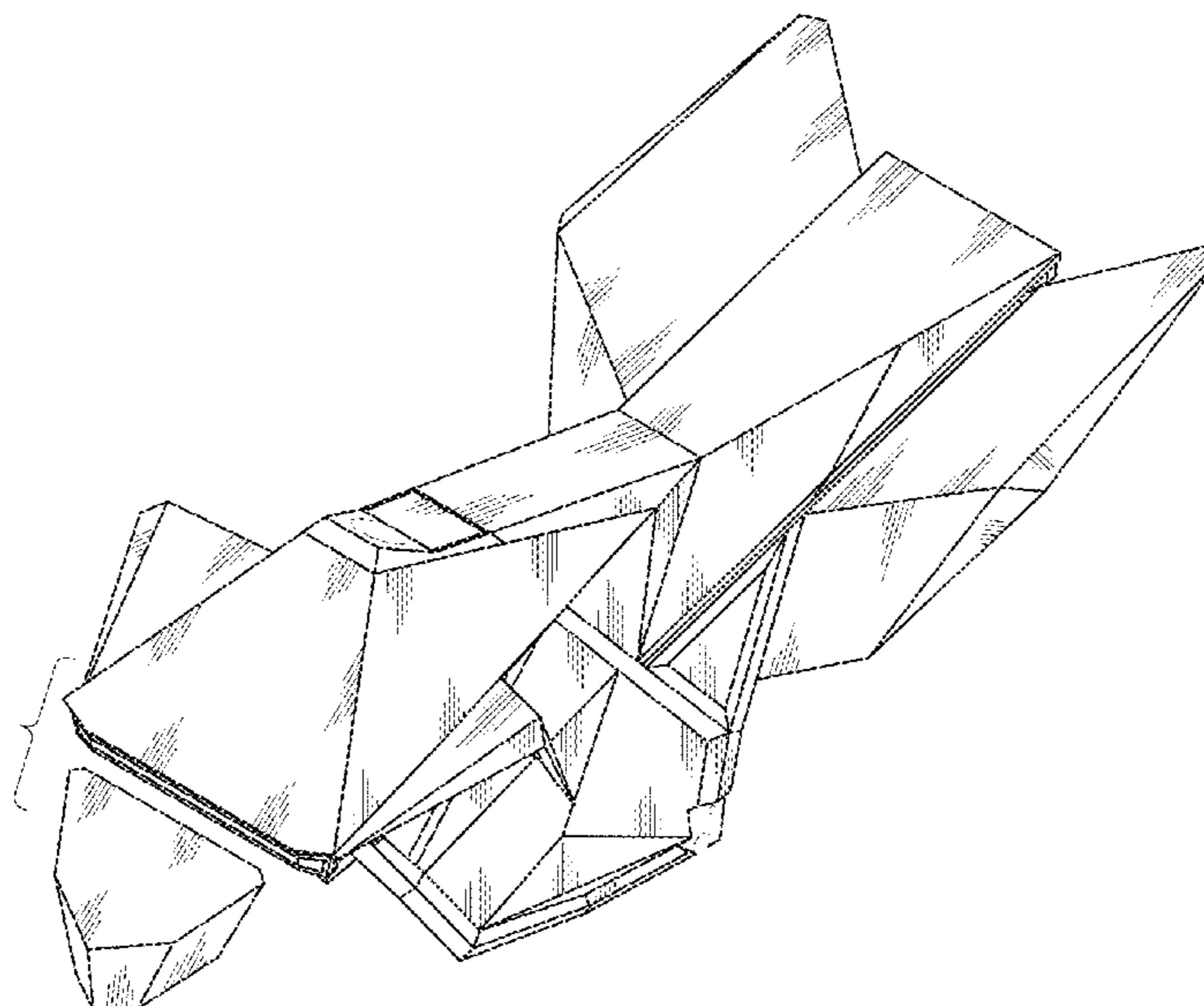
DESCRIPTION

FIG. 1 is a top and front perspective view of an all-terrain vehicle body embodying our new design;
FIG. 2 is a top and rear perspective view thereof;
FIG. 3 is a bottom and front perspective view thereof;
FIG. 4 is a bottom and rear perspective view thereof;
FIG. 5 is a front elevation view thereof;
FIG. 6 is a rear elevation view thereof;
FIG. 7 is a right side elevation view thereof;
FIG. 8 is a left side elevation view thereof;
FIG. 9 is a top plan view thereof; and,
FIG. 10 is a bottom plan view thereof.
In the drawings, the dashed broken lines represent features that form no part of the claimed design.

(56) **References Cited**
U.S. PATENT DOCUMENTS

D458,562 S * 6/2002 Kalhok D12/107
D485,212 S * 1/2004 Wu D12/107
D485,213 S * 1/2004 Wu D12/107
D511,123 S * 11/2005 Lin D12/107
D513,396 S * 1/2006 Lin D12/107
D515,978 S * 2/2006 Luh D12/107
D516,960 S * 3/2006 Luh D12/107
D517,450 S * 3/2006 Wu D12/107
D522,410 S * 6/2006 Lin D12/107
D523,781 S * 6/2006 Hirano D12/107
D528,044 S * 9/2006 Ichikawa D12/107
D529,413 S * 10/2006 Basset D12/107
D529,840 S * 10/2006 Sugawara D12/107
D531,550 S * 11/2006 Hirano D12/107
D534,100 S * 12/2006 Kinoshita D12/107

1 Claim, 10 Drawing Sheets



(56)

References Cited

U.S. PATENT DOCUMENTS

10,946,736 B2 * 3/2021 Fischer B62J 17/10
D935,945 S * 11/2021 Bruderer D12/107

* cited by examiner

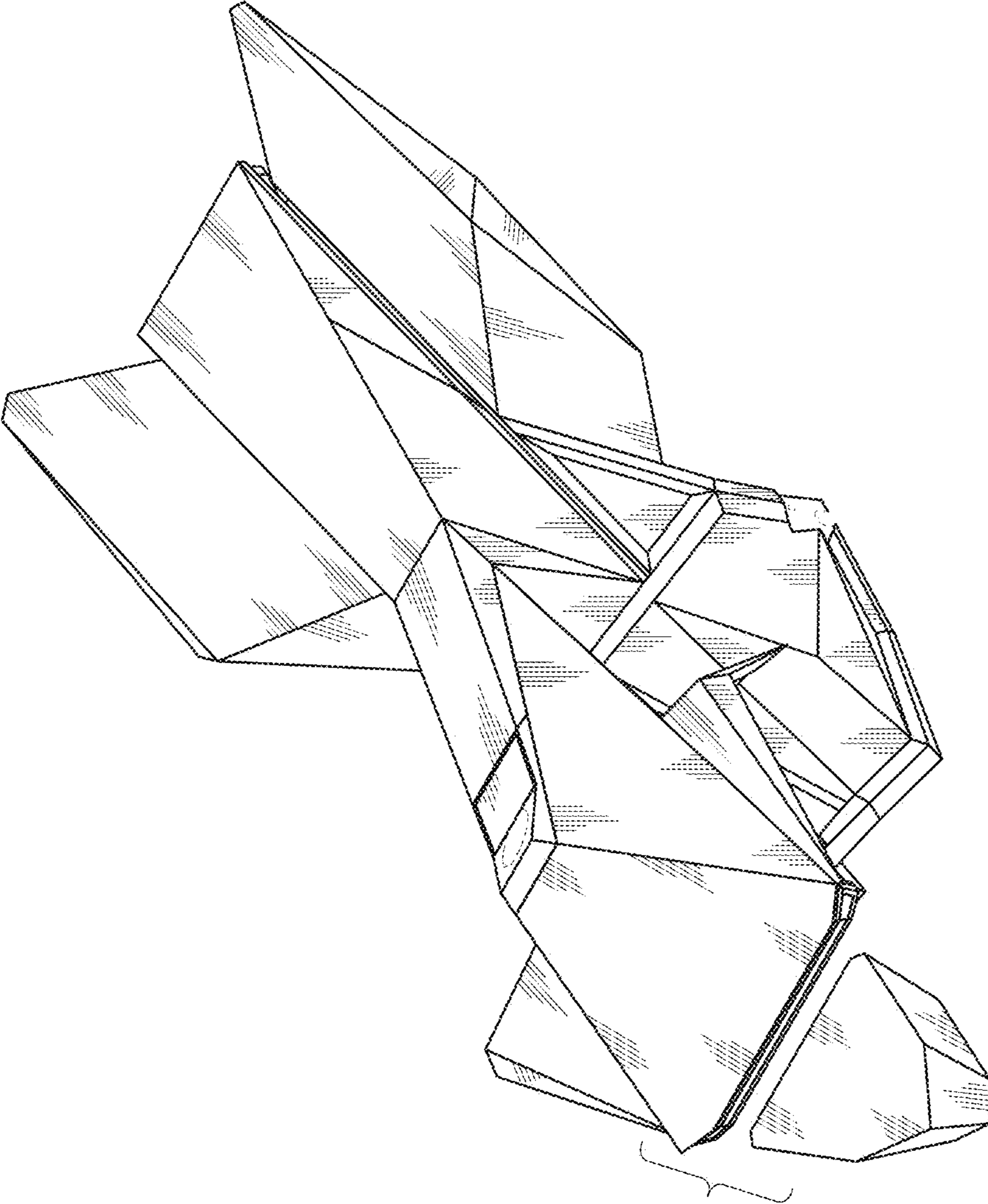


FIG. 1

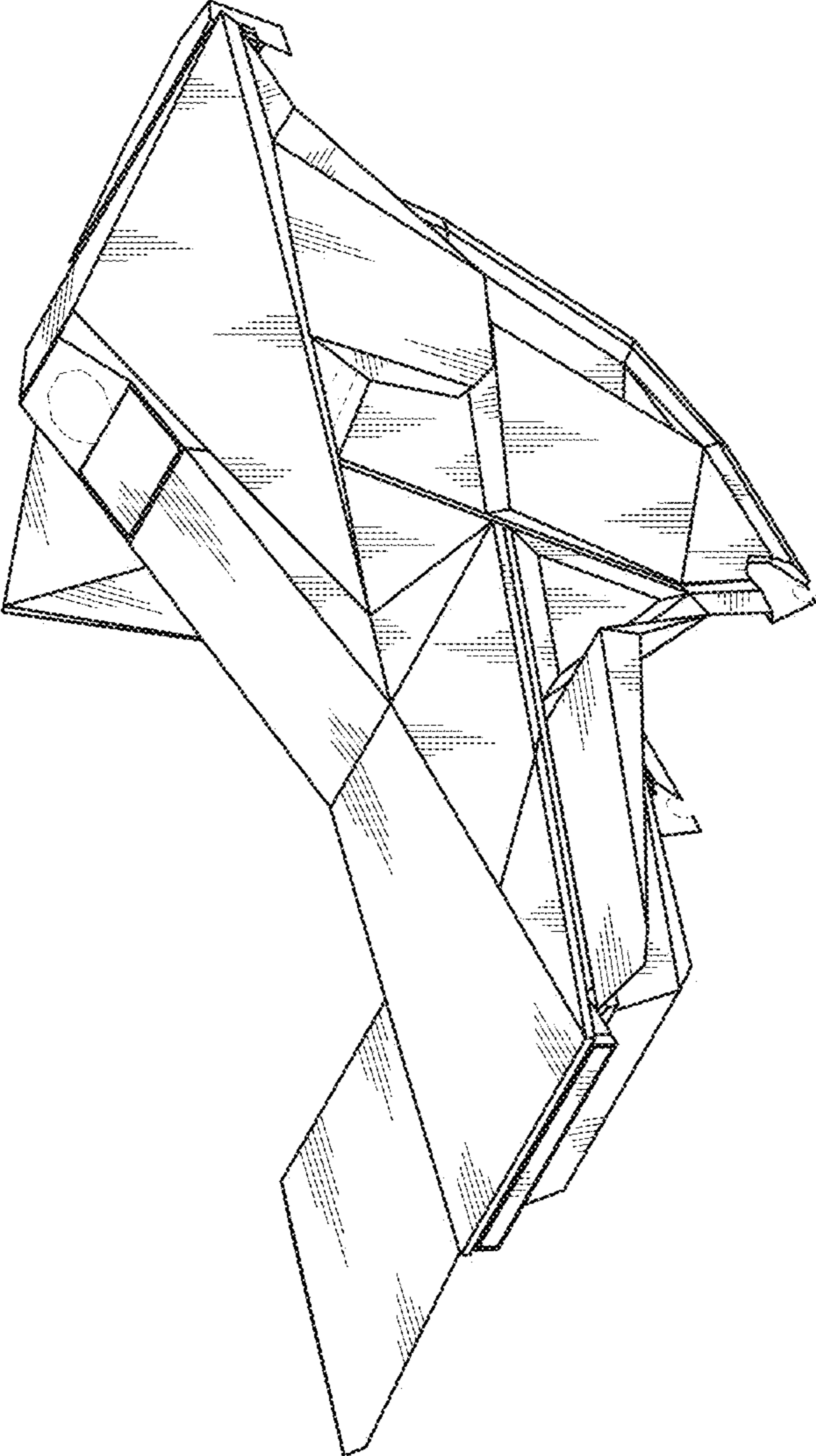


FIG. 2

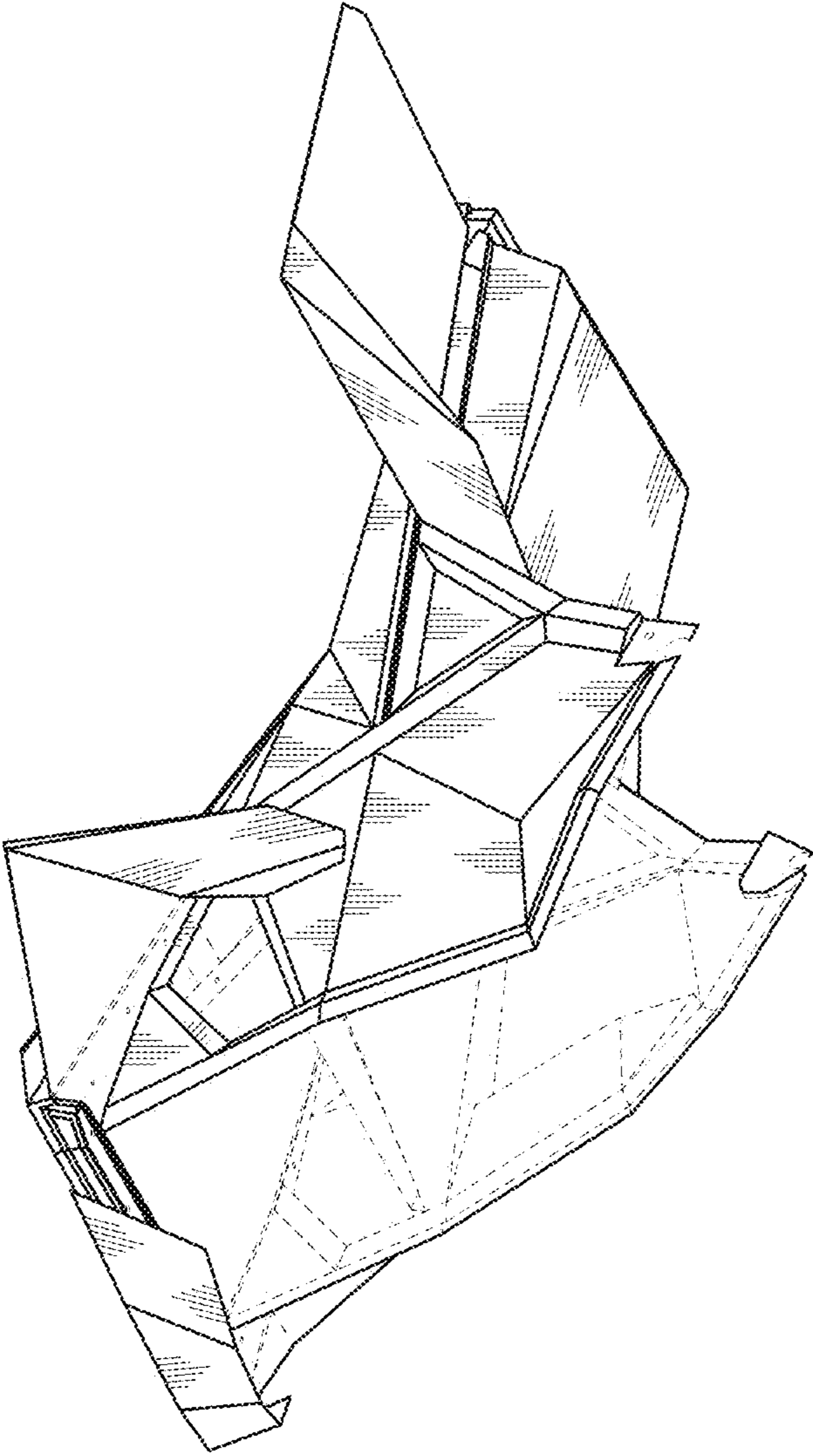


FIG. 3

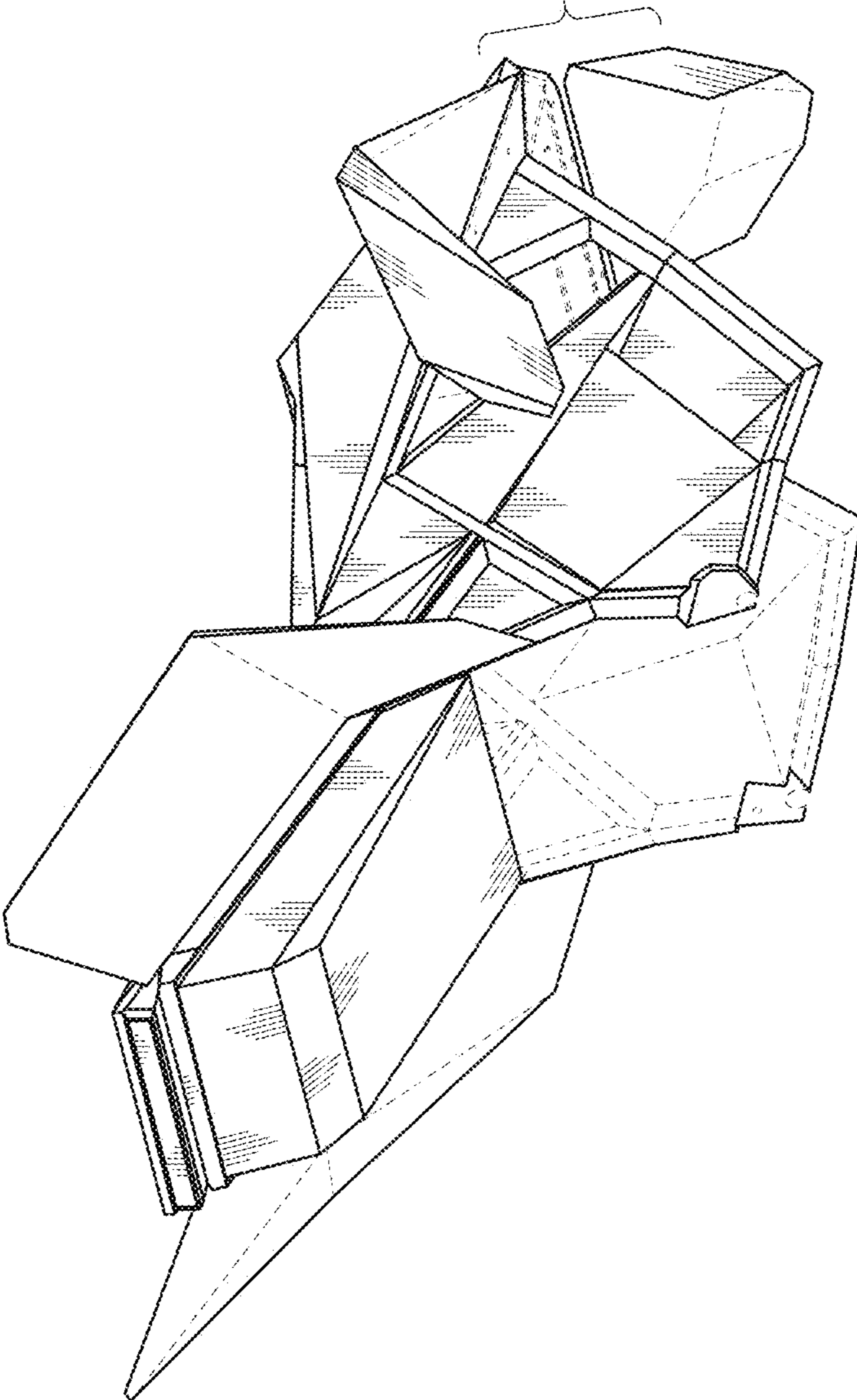


FIG. 4

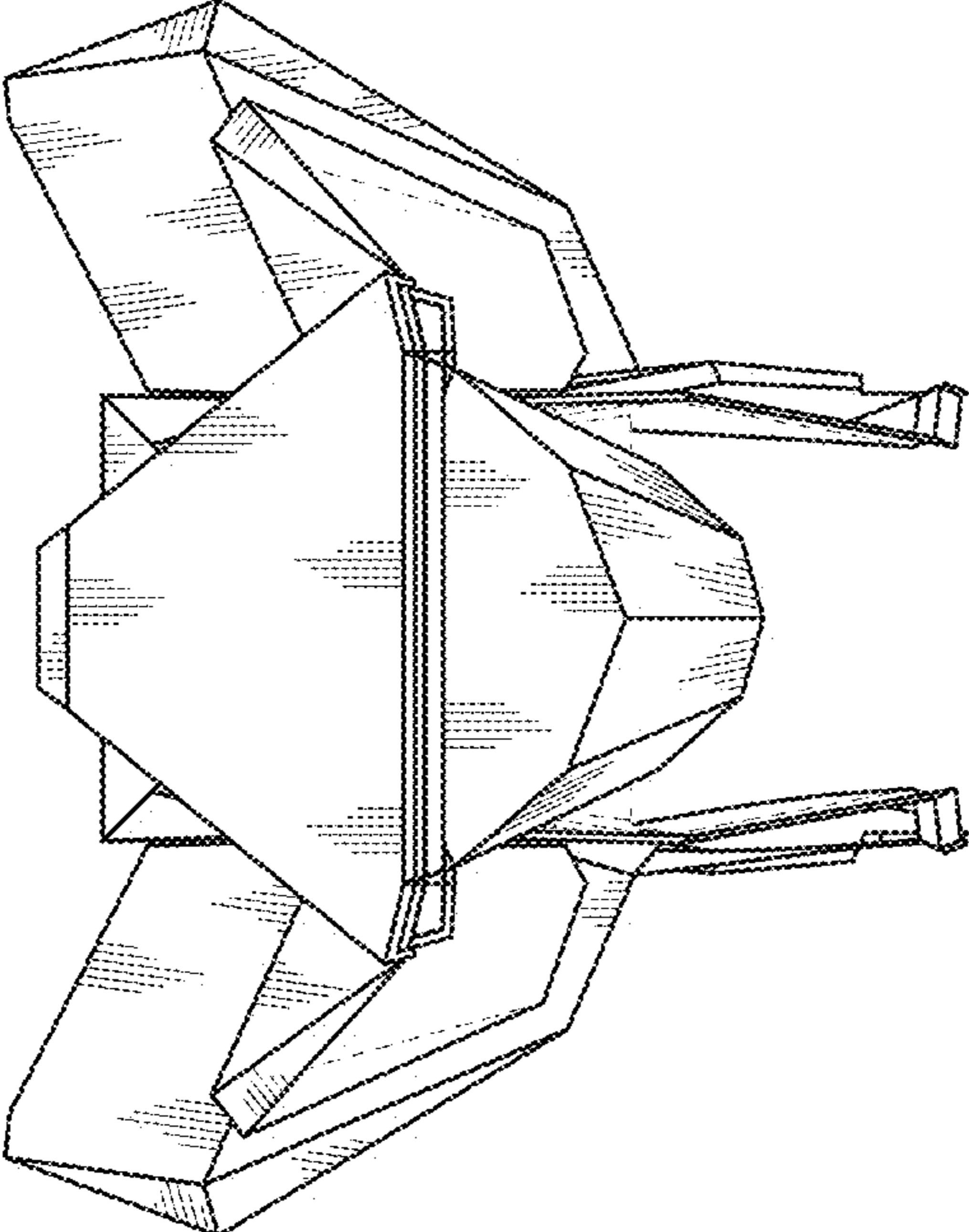


FIG. 5

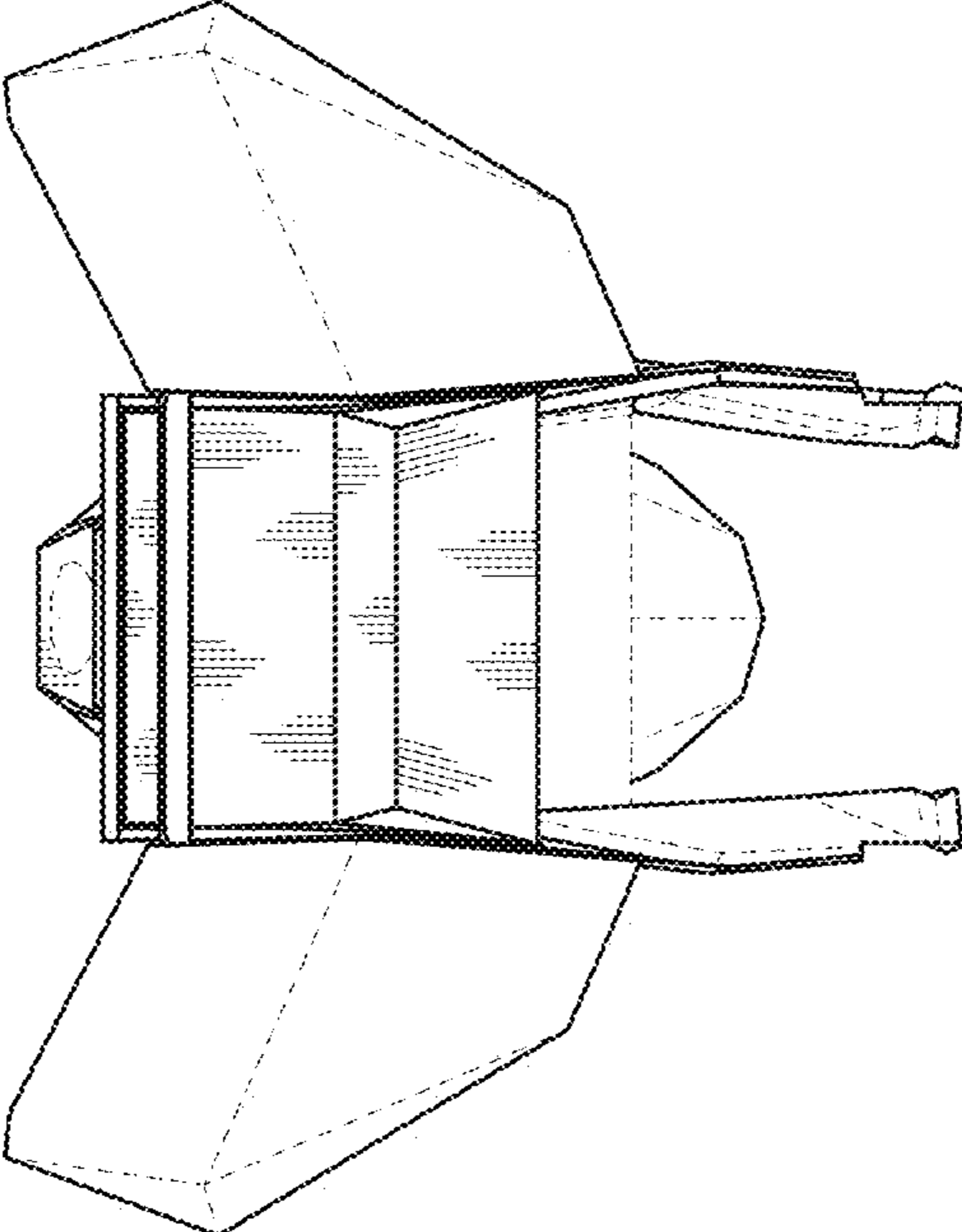


FIG. 6

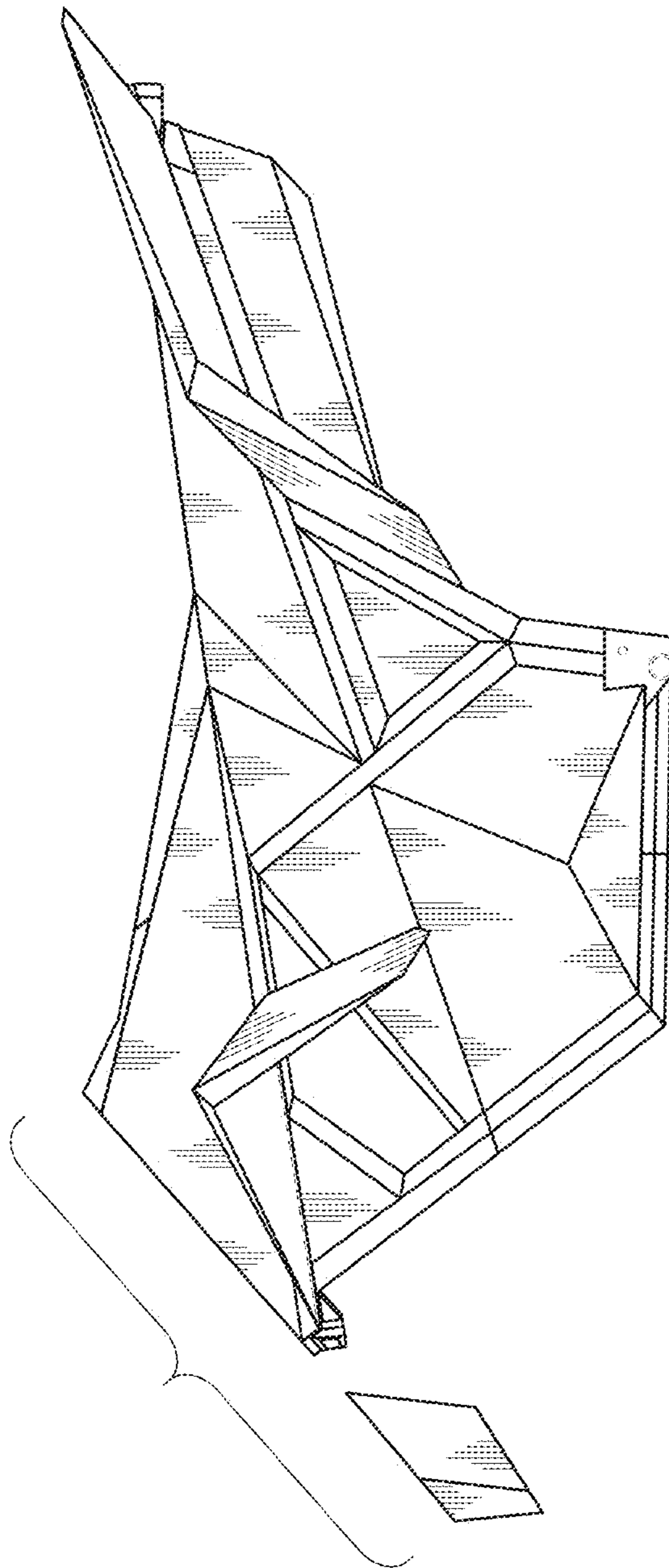


FIG. 7

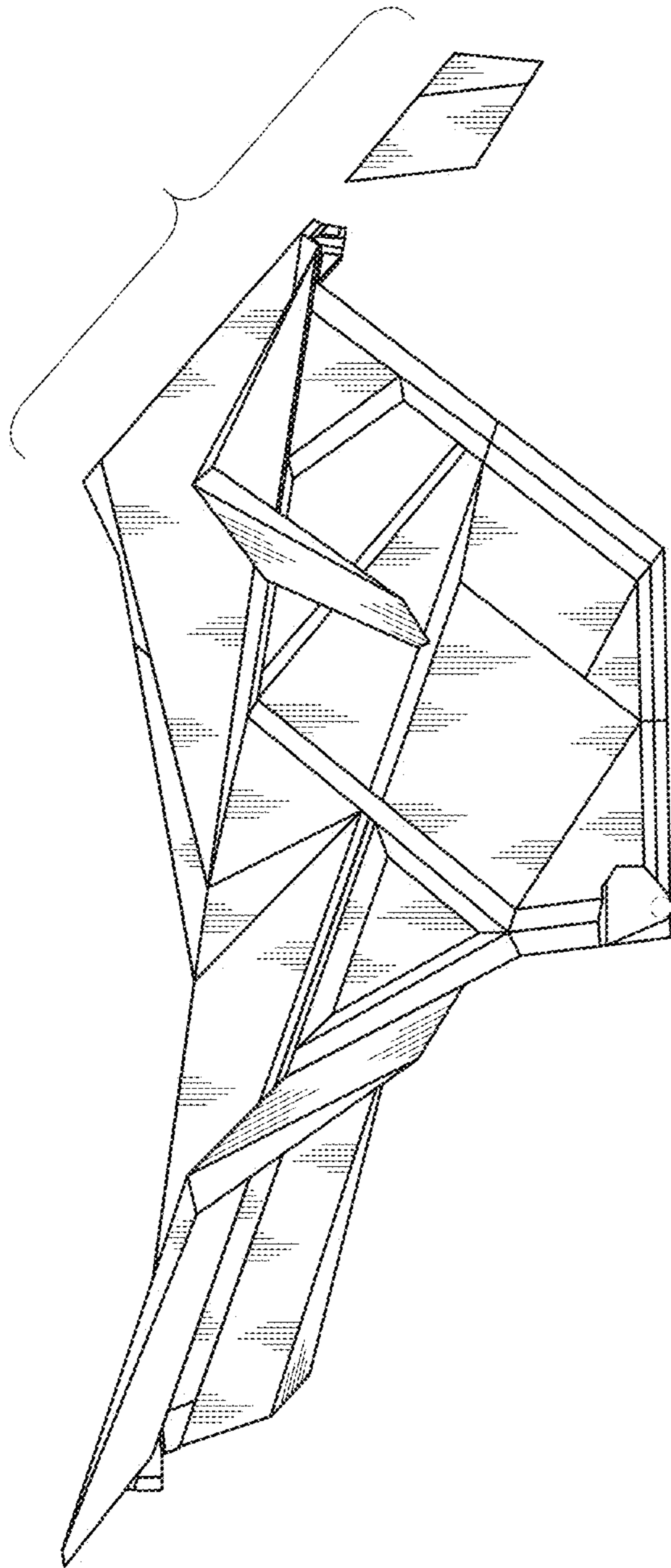


FIG. 8

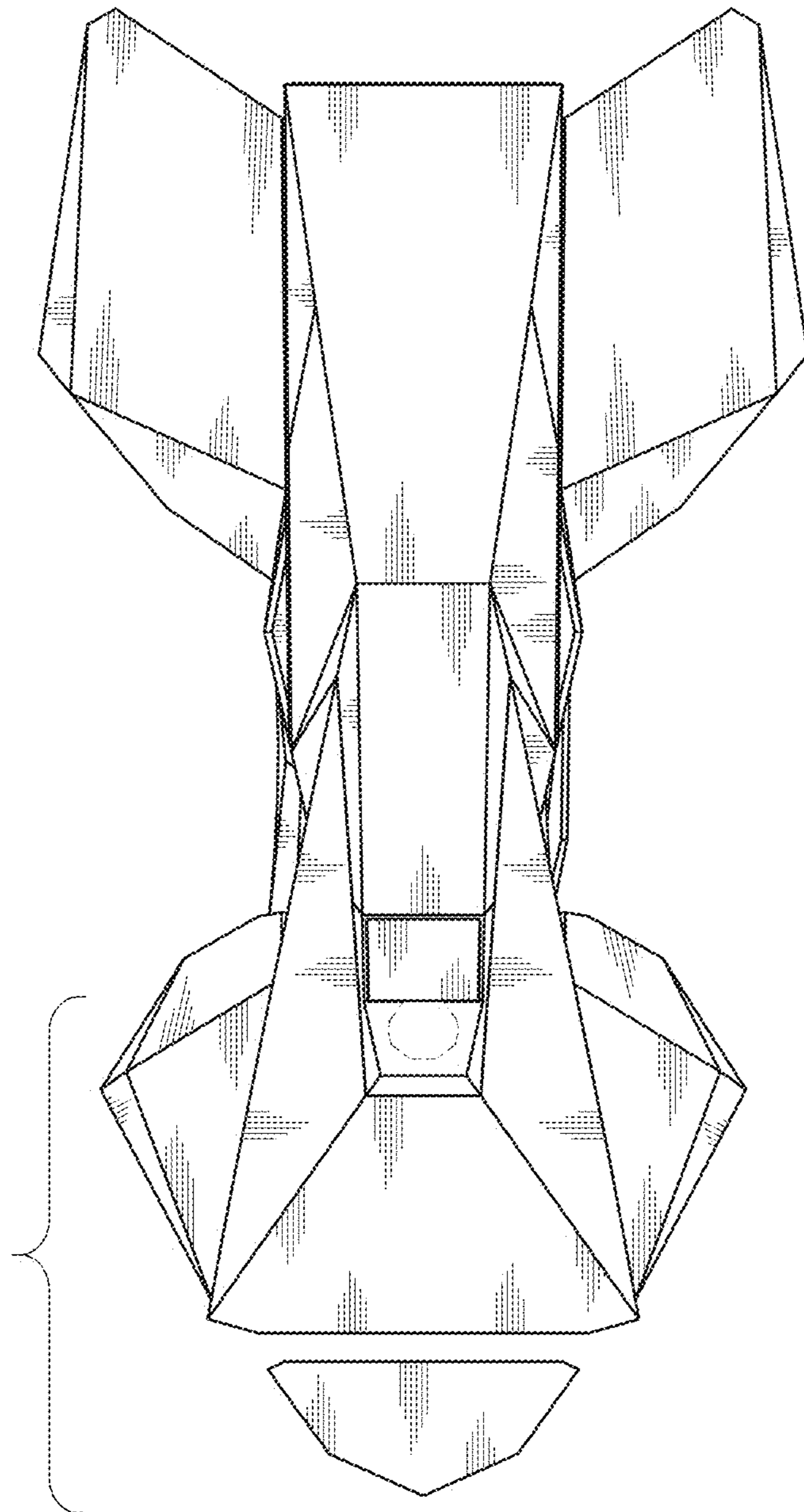


FIG. 9

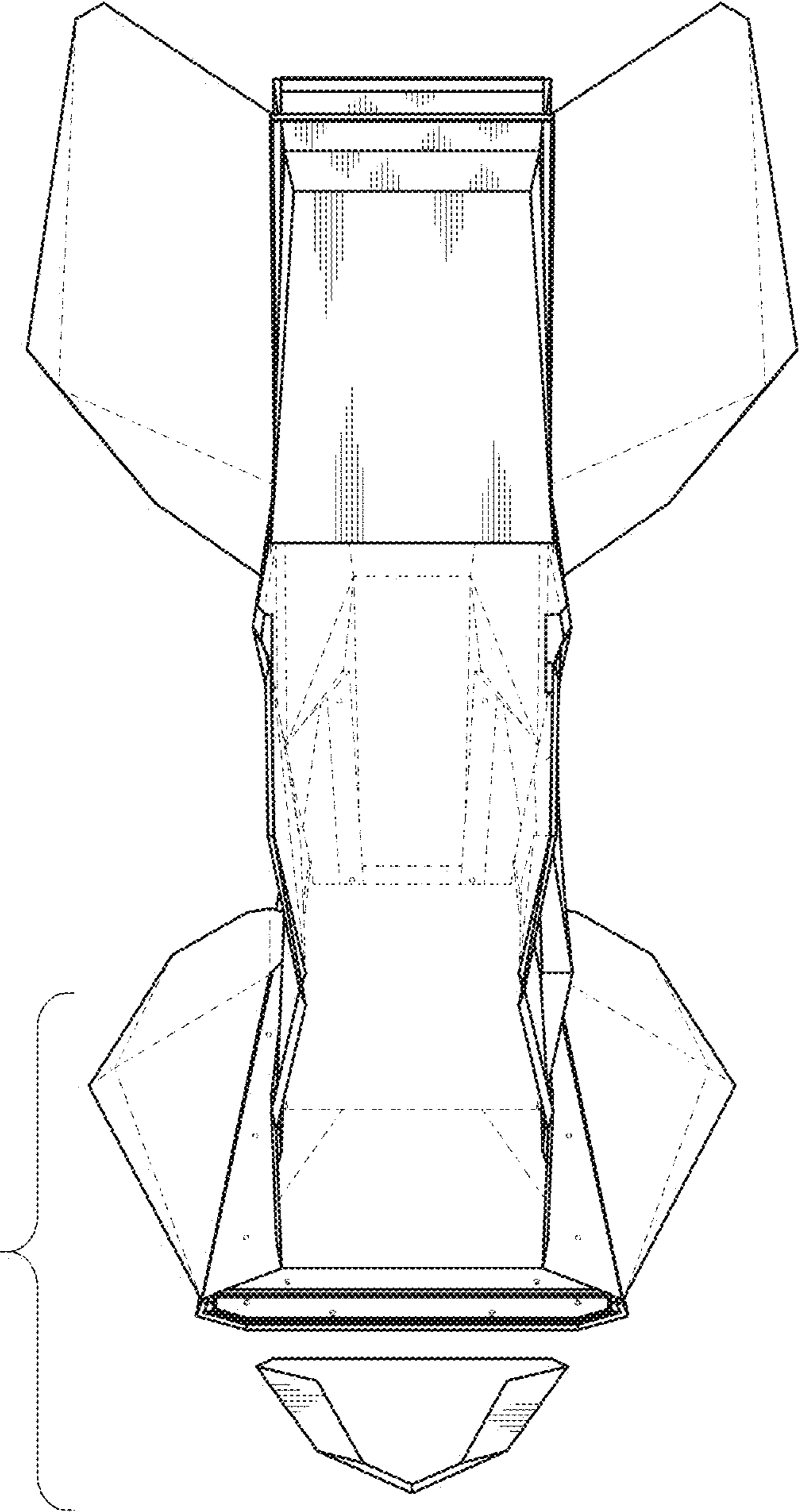


FIG. 10