

US00D966150S

(12) **United States Design Patent**  
**Delaney et al.**

(10) **Patent No.:** **US D966,150 S**  
(45) **Date of Patent:** **\*\* Oct. 11, 2022**

- (54) **HORSE DRAWN SULKY WITH SKIS**
- (71) Applicant: **Winterhorses, LLC**, Dayton, OH (US)
- (72) Inventors: **Harry J. Delaney**, Dayton, OH (US);  
**Bryan L. King**, Waterloo, IN (US)
- (73) Assignee: **Winterhorses, LLC**, Dayton, OH (US)
- (\*\*) Term: **15 Years**
- (21) Appl. No.: **29/814,957**
- (22) Filed: **Nov. 10, 2021**

5,183,279	A *	2/1993	Acerno	.....	B62C 1/08 248/129
6,161,852	A *	12/2000	Bergling	.....	B62C 1/08 280/47.131
6,354,613	B1	3/2002	Stein et al.		
7,578,510	B2	8/2009	Ross et al.		
8,408,563	B1	4/2013	Ross et al.		
8,454,035	B2	6/2013	Watson		
D813,094	S	3/2018	Watkins		
2011/0233883	A1 *	9/2011	Watson	.....	B62C 1/08 280/63
2018/0194386	A1	7/2018	Stathis		

\* cited by examiner

Primary Examiner — Ania Aman

(74) *Attorney, Agent, or Firm* — Jacox, Meckstroth & Jenkins

**Related U.S. Application Data**

- (63) Continuation-in-part of application No. 29/732,703, filed on Apr. 27, 2020, now abandoned.
- (51) **LOC (13) Cl.** ..... **12-01**
- (52) **U.S. Cl.**  
USPC ..... **D12/19**
- (58) **Field of Classification Search**  
USPC ..... D12/17, 19, 20  
CPC ..... B62C 1/08; B62C 1/06; B62C 1/00  
See application file for complete search history.

(57) **CLAIM**

The ornamental design for a horse drawn sulky with skis, as shown and described.

**DESCRIPTION**

FIG. 1 is a front perspective view of a horse drawn sulky with skis showing our new design;  
 FIG. 2 is a rear perspective view thereof;  
 FIG. 3 is top view thereof;  
 FIG. 4 is a bottom view thereof;  
 FIG. 5 is a front view thereof;  
 FIG. 6 is a rear view thereof; and,  
 FIG. 7 is a side view thereof, the opposite side view being a mirror image.

The broken lines showing the floor panel, inclined foot panel, and side shafts for the horse are for the purpose of the environment and form no part of the claimed design. Special features of the sulky are the rear entry seat contoured like a saddle to fit between a driver's knees and independent shock absorbing members supporting skis.

(56) **References Cited**

**U.S. PATENT DOCUMENTS**

3,907,325	A	9/1975	Gaines et al.		
D244,127	S	4/1977	King		
D244,923	S	7/1977	Jones et al.		
4,033,598	A	7/1977	King		
4,071,257	A *	1/1978	Discount	.....	B62C 1/08 280/63
4,078,829	A	3/1978	Davis		
4,135,730	A *	1/1979	Yunick	.....	B62C 1/08 280/65
5,174,594	A	12/1992	Marshall et al.		

**1 Claim, 7 Drawing Sheets**

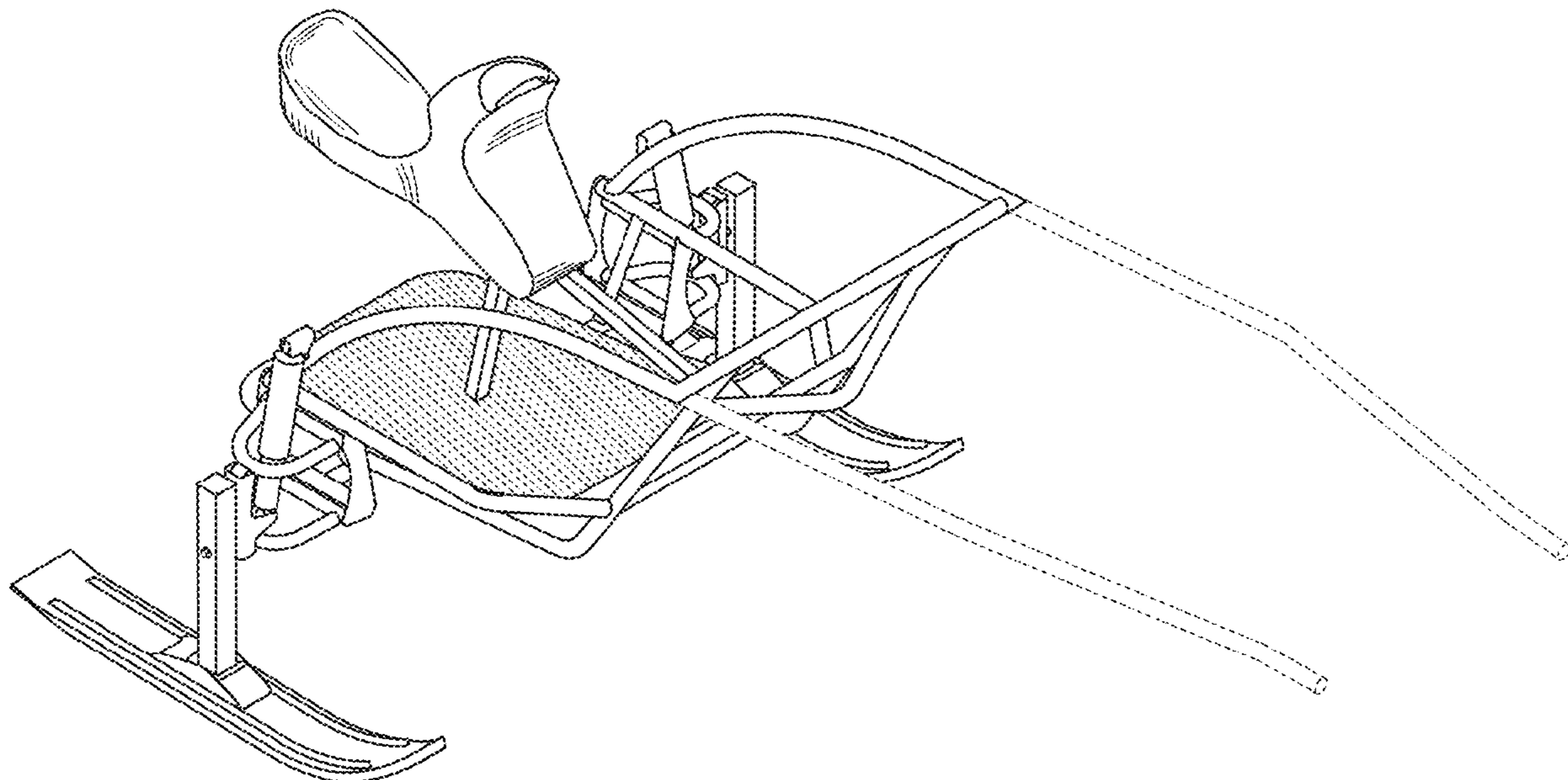


FIG. 1

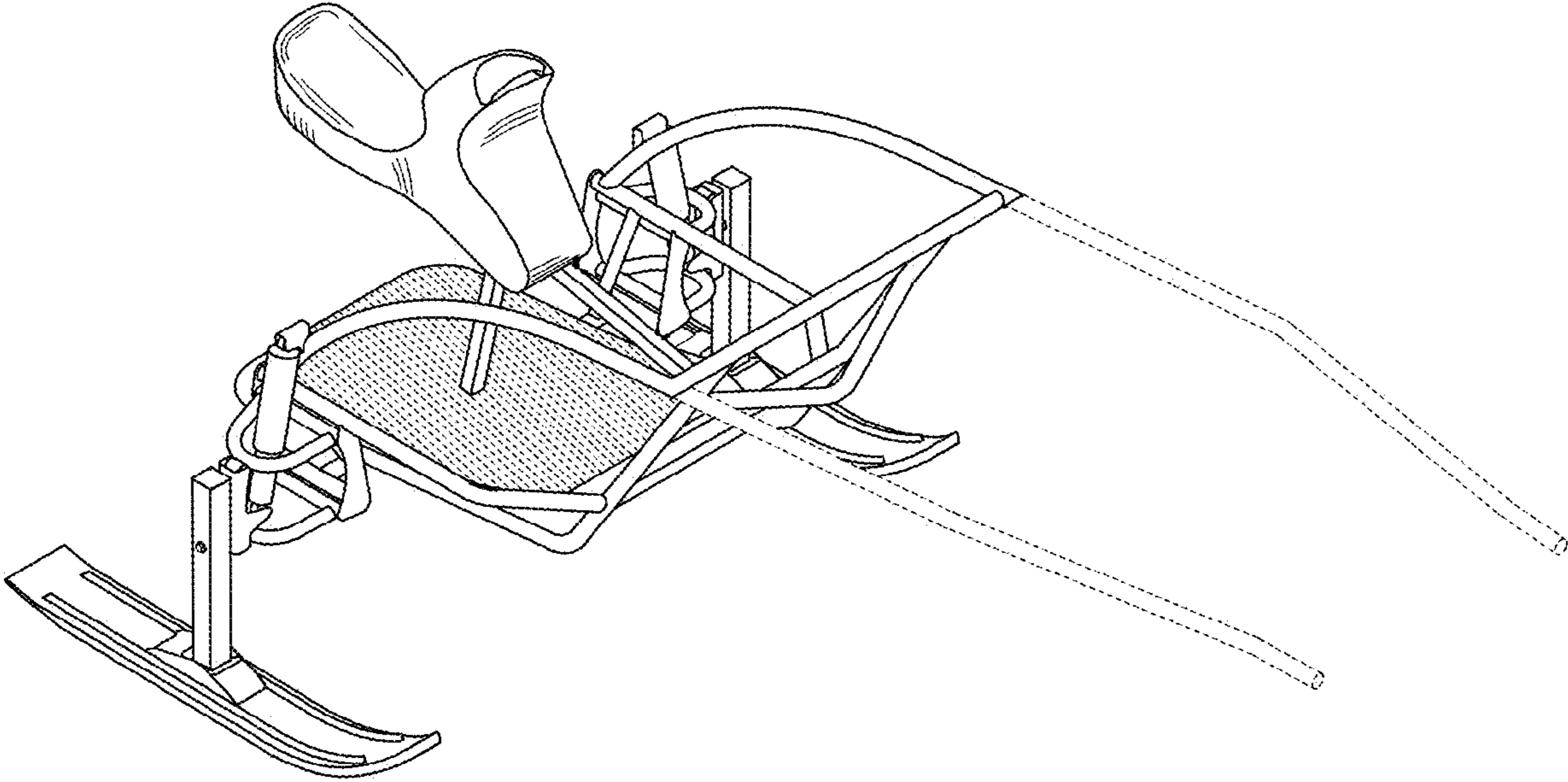


FIG. 2

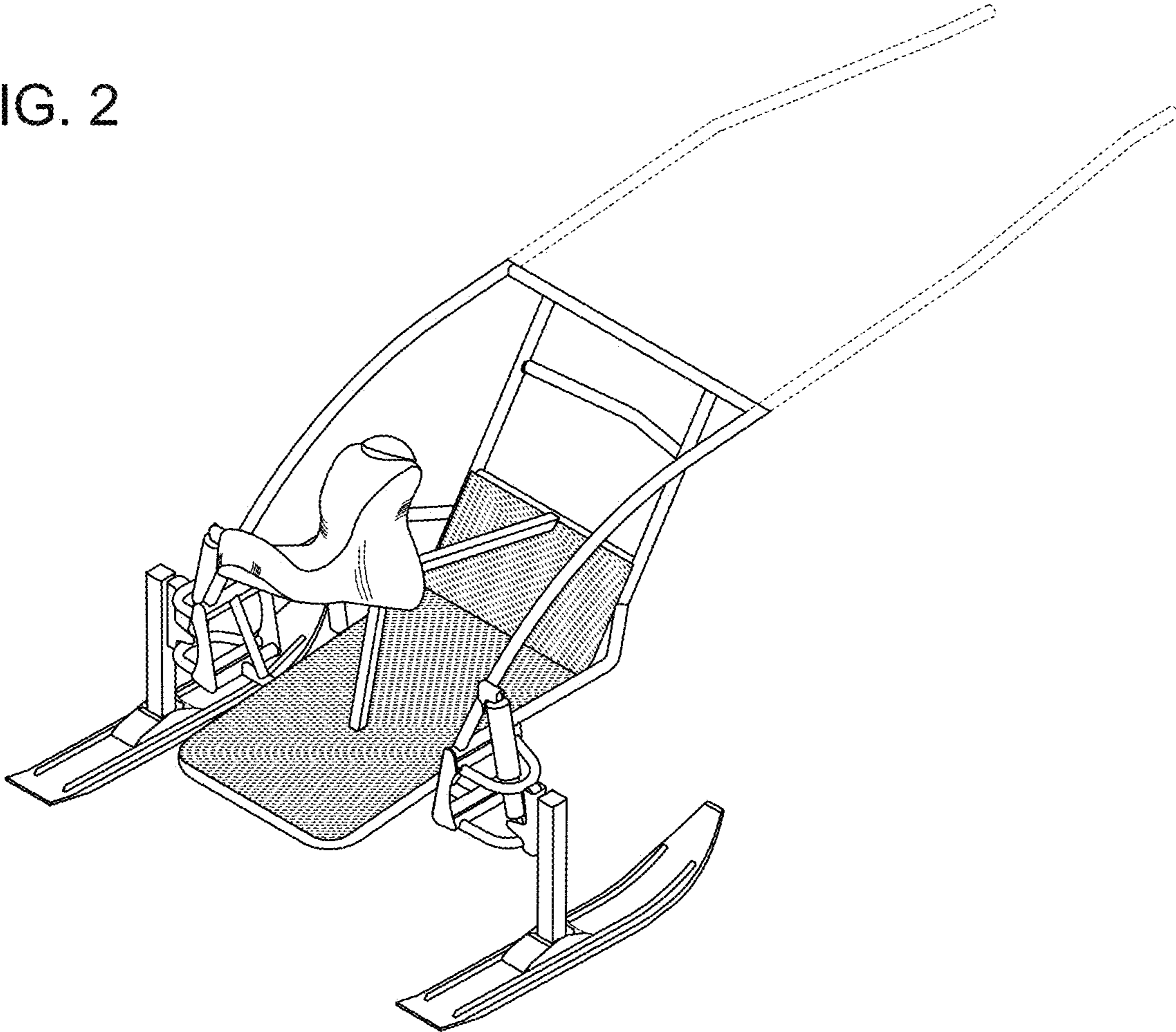


FIG. 3

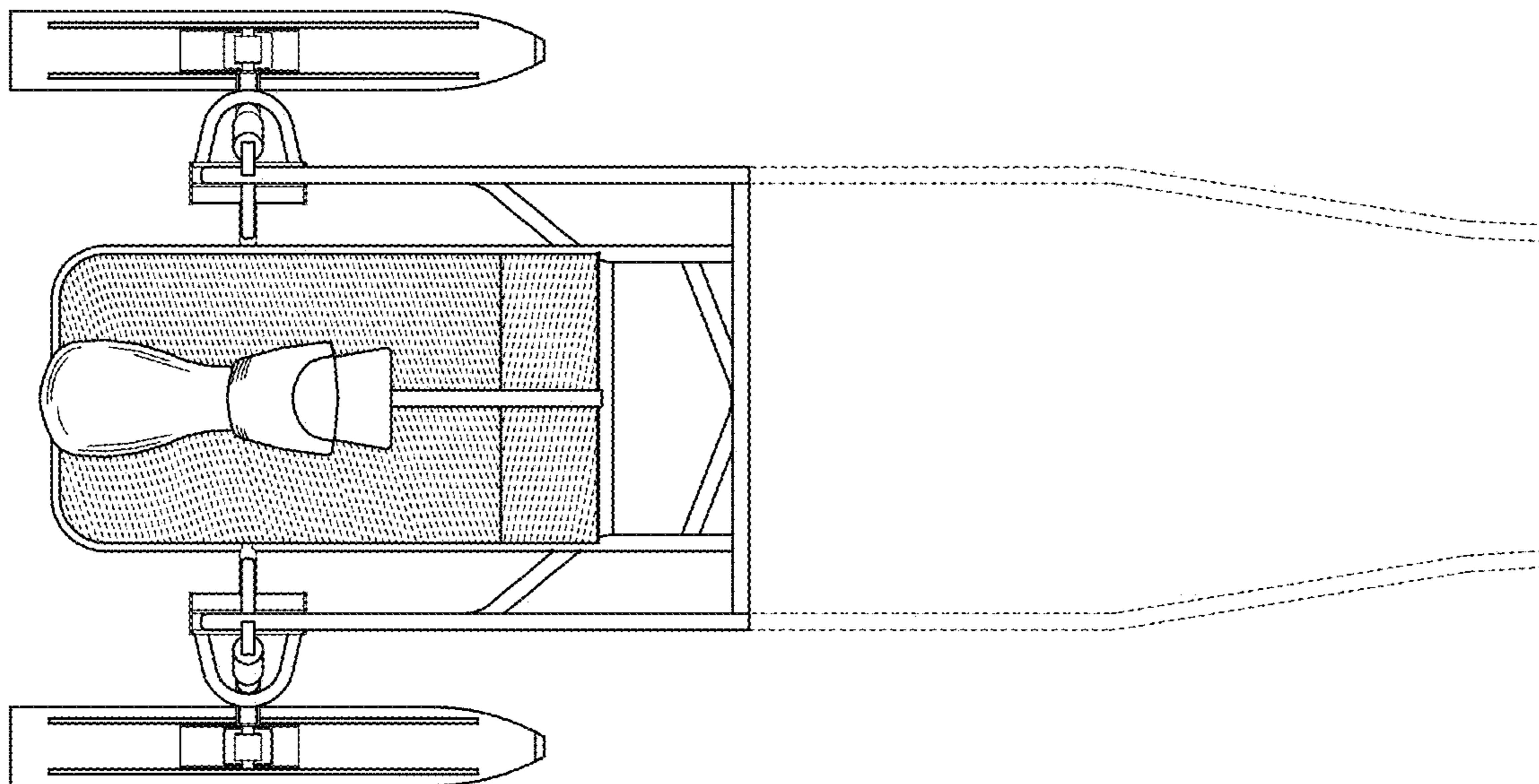




FIG. 4

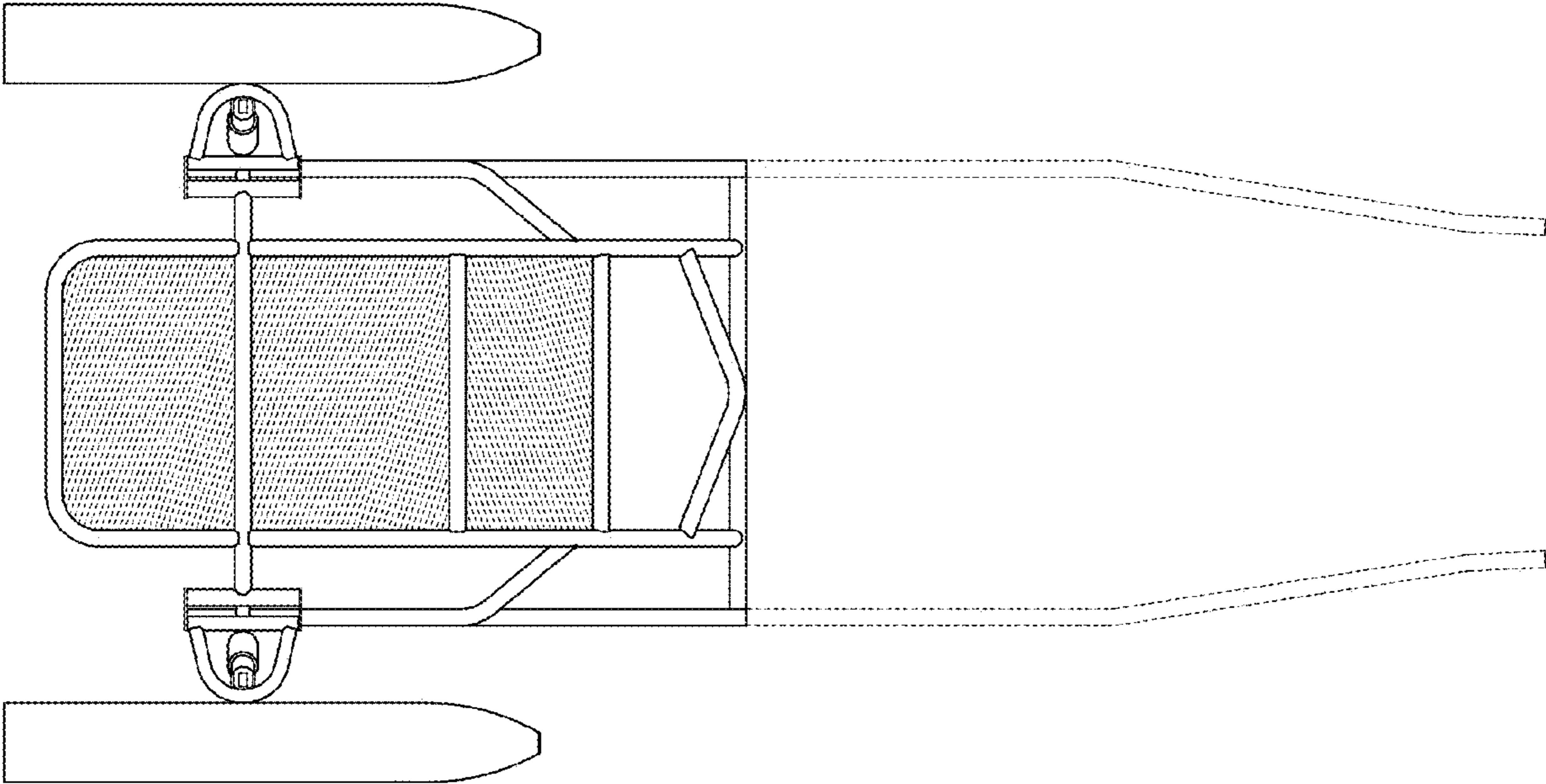


FIG. 5

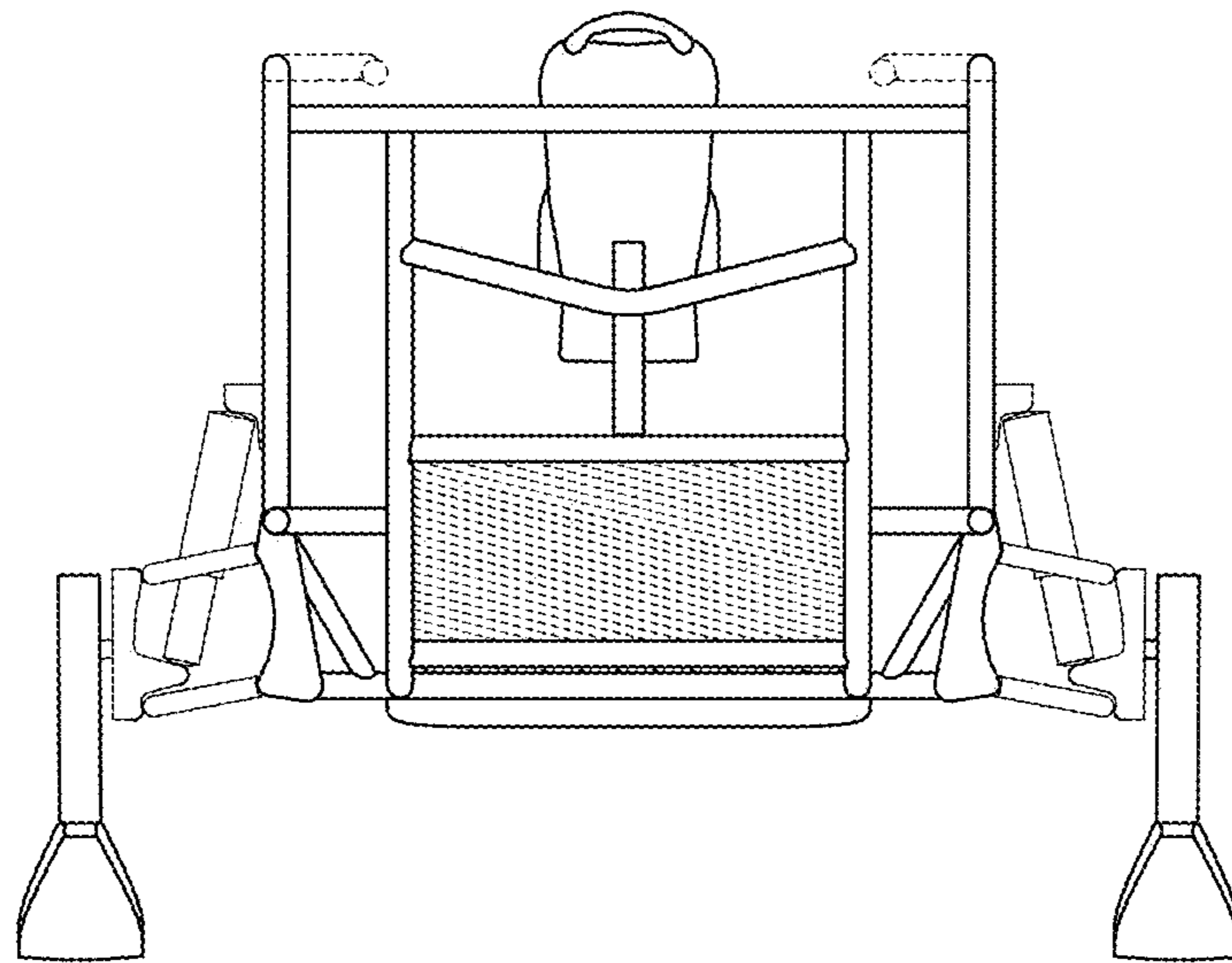


FIG. 6

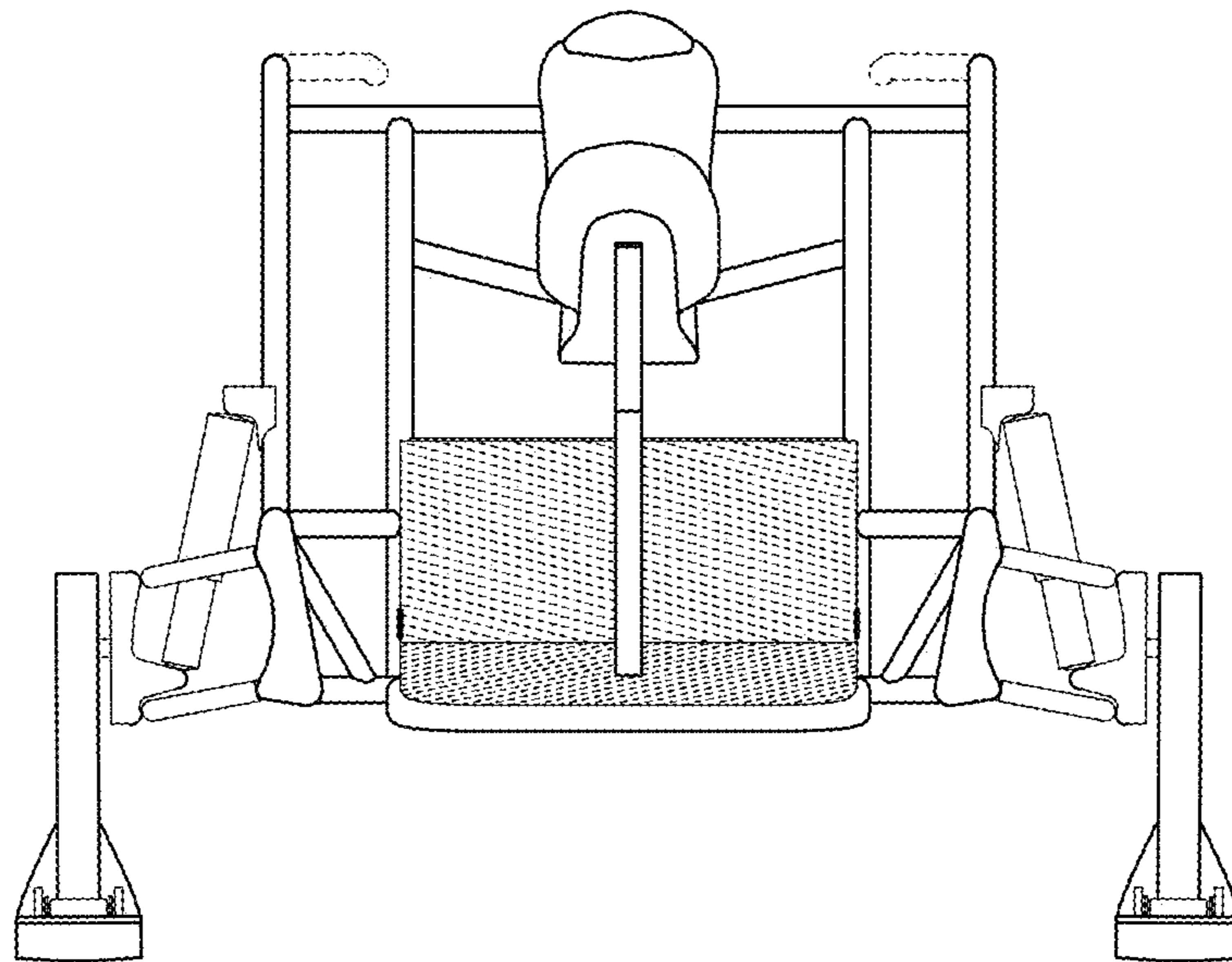


FIG. 7

